



US00D777965S

(12) **United States Design Patent**
Mirchandani

(10) **Patent No.:** **US D777,965 S**

(45) **Date of Patent:** **** Jan. 31, 2017**

(54) **LASER LIGHT**

(71) Applicant: **Tristar Products, Inc.**, Fairfield, NJ
(US)

(72) Inventor: **Keith Mirchandani**, Fairfield, NJ (US)

(73) Assignee: **TRISTAR PRODUCTS, INC.**,
Fairfield, NJ (US)

(**) Term: **15 Years**

(21) Appl. No.: **29/552,992**

(22) Filed: **Jan. 27, 2016**

(51) **LOC (10) Cl.** **26-05**

(52) **U.S. Cl.**

USPC **D26/67**

(58) **Field of Classification Search**

USPC D26/63, 67-70; D10/113.2

CPC F21S 8/08; F21S 8/081; F21S 8/083;

F21S 8/088; F21S 9/03; F21S

9/032; F21S 9/035; F21S 9/037; F21S

6/003; F21S 6/004; F21S 6/005; F21W

2131/109; F21W 2111/023; F21V

21/0824

See application file for complete search history.

(56) **References Cited**

U.S. PATENT DOCUMENTS

D234,712 S * 4/1975 Kennedy et al. D26/63

D383,236 S * 9/1997 Krogman D26/63

D399,327 S * 10/1998 Lin D26/63

D413,996 S 9/1999 Andrus et al.

6,695,452 B2 2/2004 Panasewicz et al.

7,063,553 B1 * 6/2006 Mullen F21V 19/006

439/336

7,137,721 B1 * 11/2006 Rao F21V 21/0824

362/267

(Continued)

Primary Examiner — Clare E Heflin

(74) *Attorney, Agent, or Firm* — Adler Pollock &
Sheehan P.C.; Daniel J. Holmader, Esq.; George N.
Chaclas, Esq.

(57) **CLAIM**

The ornamental design for a laser light, as shown and described.

DESCRIPTION

FIG. 1 is a perspective view of a laser light.

FIG. 2 is a front elevation view of the laser light of FIG. 1.

FIG. 3 is a rear elevation view of the laser light of FIG. 1.

FIG. 4 is a side elevation view of the laser light of FIG. 1.

FIG. 5 is the other side elevation view of the laser light of FIG. 1.

FIG. 6 is a top plan view of the laser light of FIG. 1.

FIG. 7 is a bottom plan view of the laser light of FIG. 1.

FIG. 8 is a perspective view of a laser light showing a second embodiment of the design.

FIG. 9 is a front elevation view of the laser light of FIG. 8.

FIG. 10 is a rear elevation view of the laser light of FIG. 8.

FIG. 11 is a side elevation view of the laser light of FIG. 8.

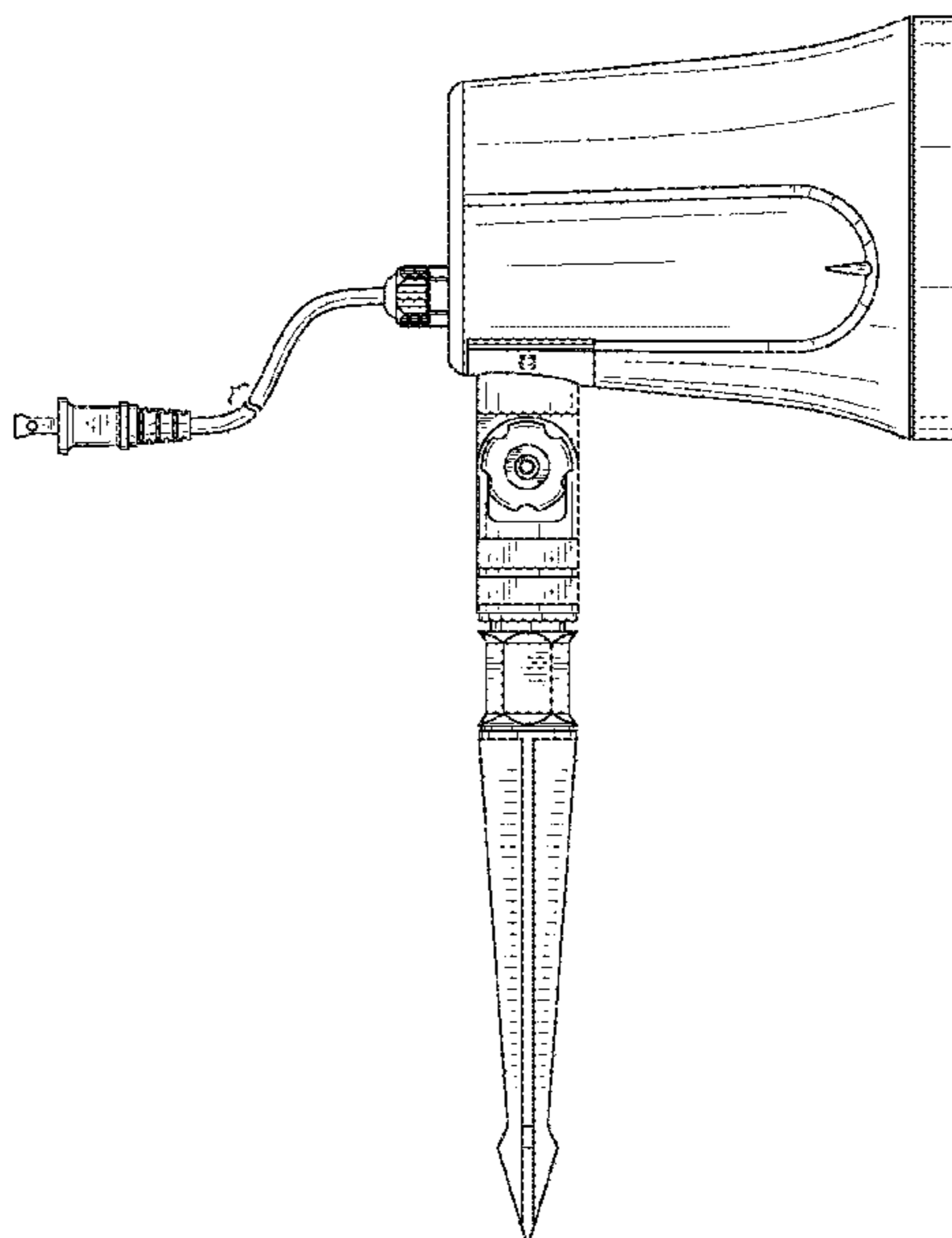
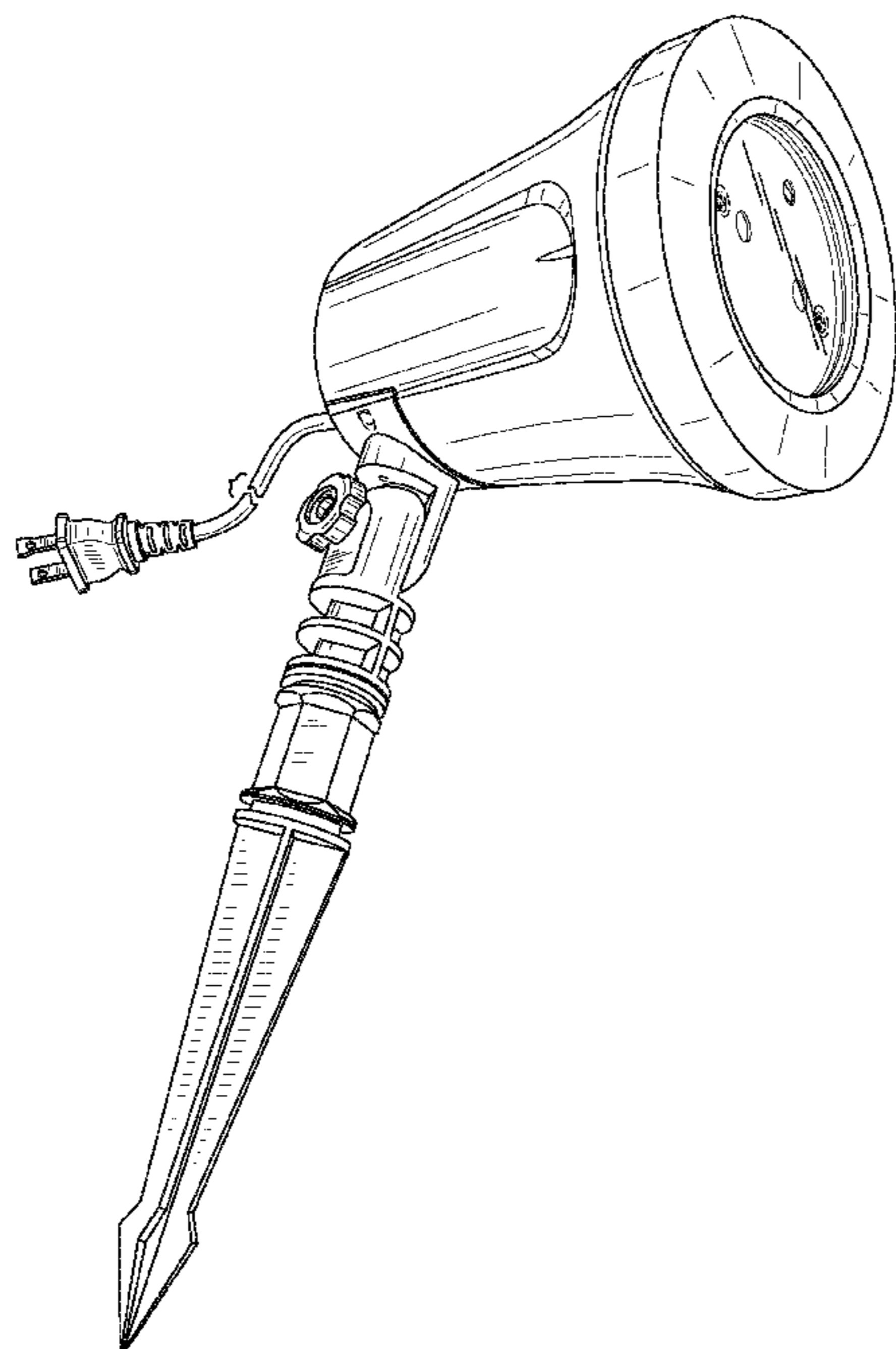
FIG. 12 is the other side elevation view of the laser light of FIG. 8.

FIG. 13 is a top plan view of the laser light of FIG. 8; and,

FIG. 14 is a bottom plan view of the laser light of FIG. 8.

The broken line showing on the drawing depict portions of the laser light that form no part of the claimed design. The power cord is shown broken away for ease of illustration only.

1 Claim, 14 Drawing Sheets



(56)

References Cited

U.S. PATENT DOCUMENTS

D542,959	S	5/2007	Yao	
D551,789	S	9/2007	Mullen	
D574,532	S *	8/2008	Lee	D26/63
RE41,050	E	12/2009	Panasewicz et al.	
D638,159	S *	5/2011	Yao	D26/63
D654,200	S	2/2012	Chen	
D654,605	S	2/2012	Chen	
D659,871	S	5/2012	Lee et al.	
D667,981	S *	9/2012	Connolly	D26/63
D735,923	S *	8/2015	Helms	D26/63
D762,903	S *	8/2016	Tsai	D26/63
D764,694	S *	8/2016	Tsai	D26/63
D765,906	S	9/2016	Khubani et al.	
D766,483	S	9/2016	Khubani et al.	
D766,484	S	9/2016	Khubani et al.	
9,458,994	B1	10/2016	Khubani et al.	
2002/0101571	A1 *	8/2002	Panasewicz	F21V 21/0824 353/119
2004/0119951	A1 *	6/2004	Vitantonio	F16M 11/10 353/119
2009/0153807	A1	6/2009	Jackson	
2013/0128566	A1 *	5/2013	Cravedi	F21S 9/03 362/191
2015/0131288	A1 *	5/2015	Zhang	F21V 14/06 362/277
2015/0159842	A1 *	6/2015	Zhang	F21V 21/30 362/231

* cited by examiner

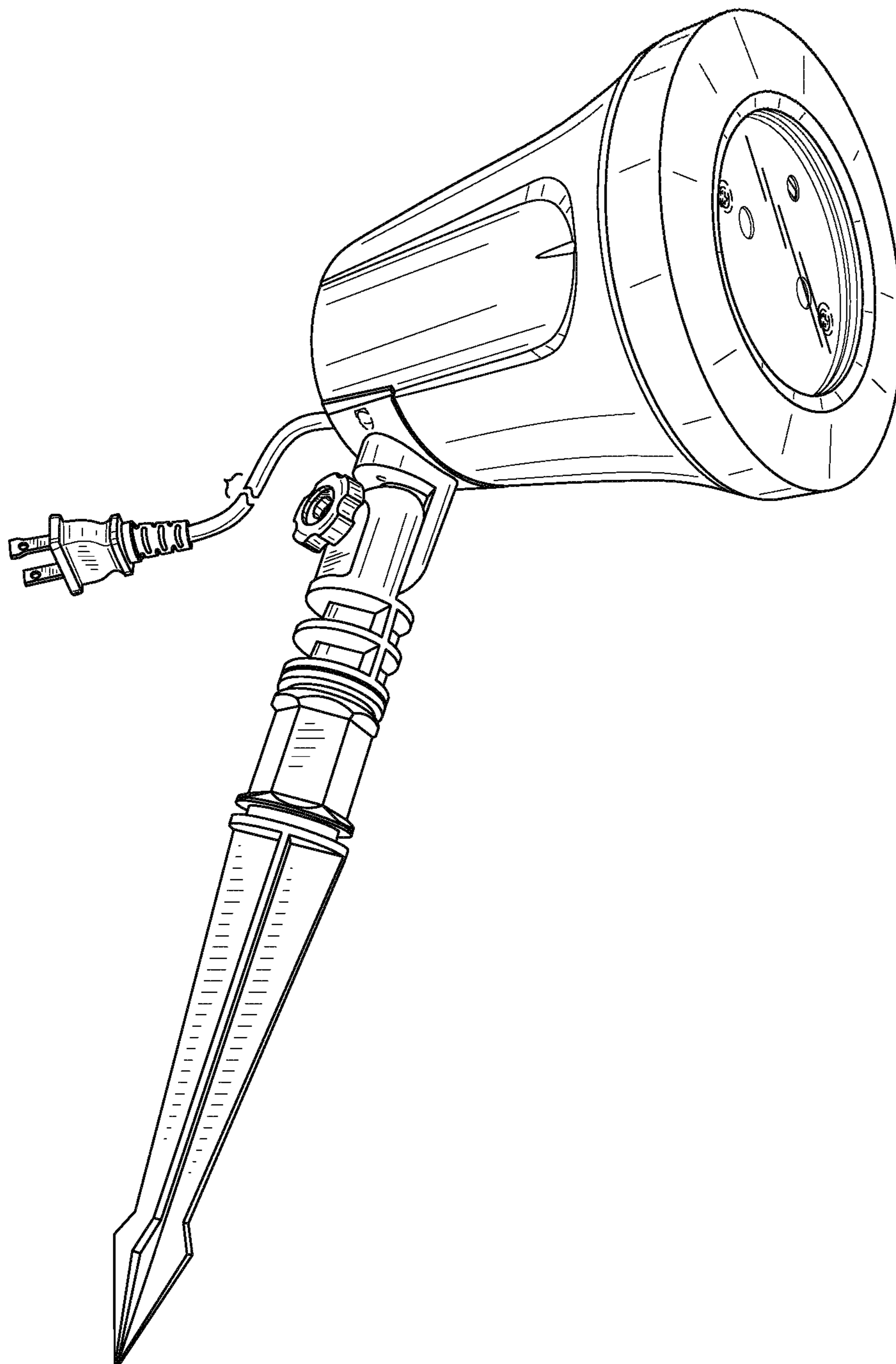


FIG. 1

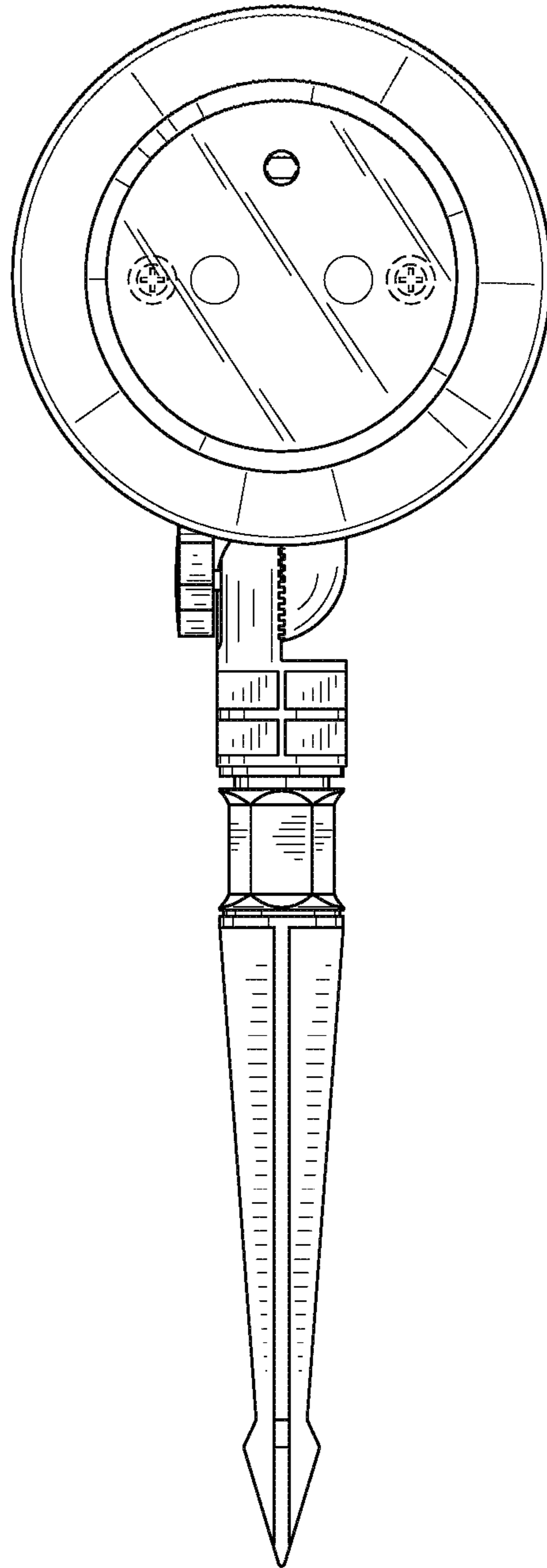


FIG. 2

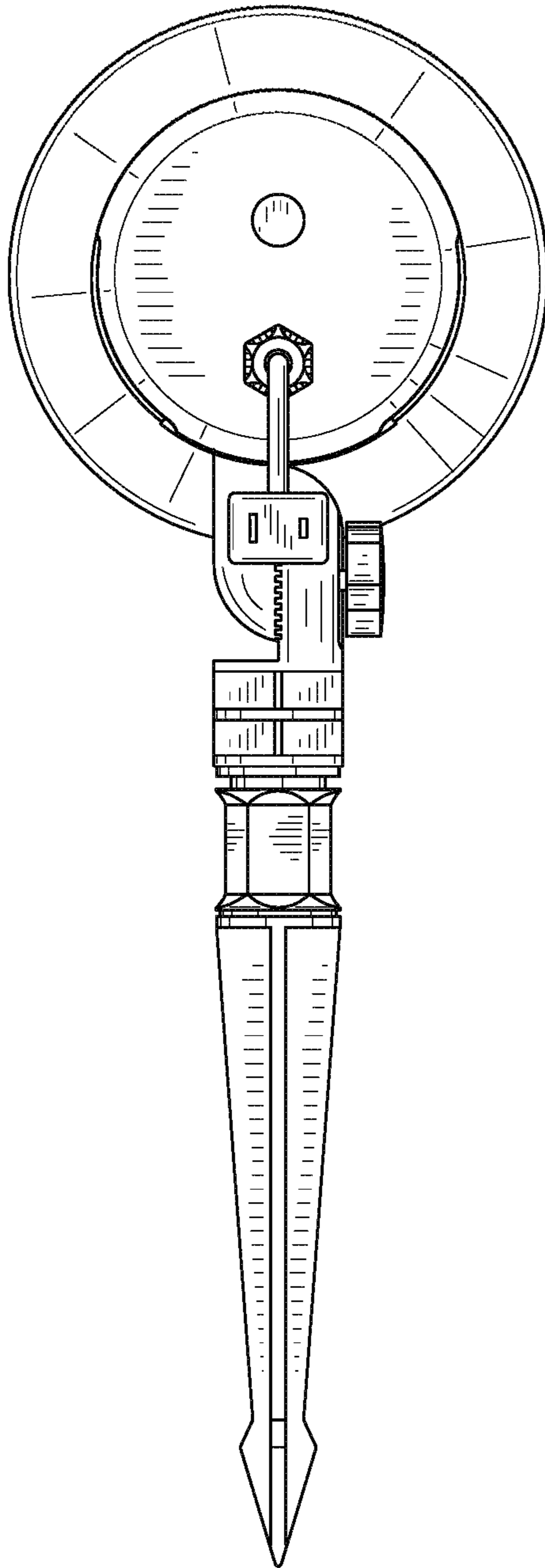


FIG. 3

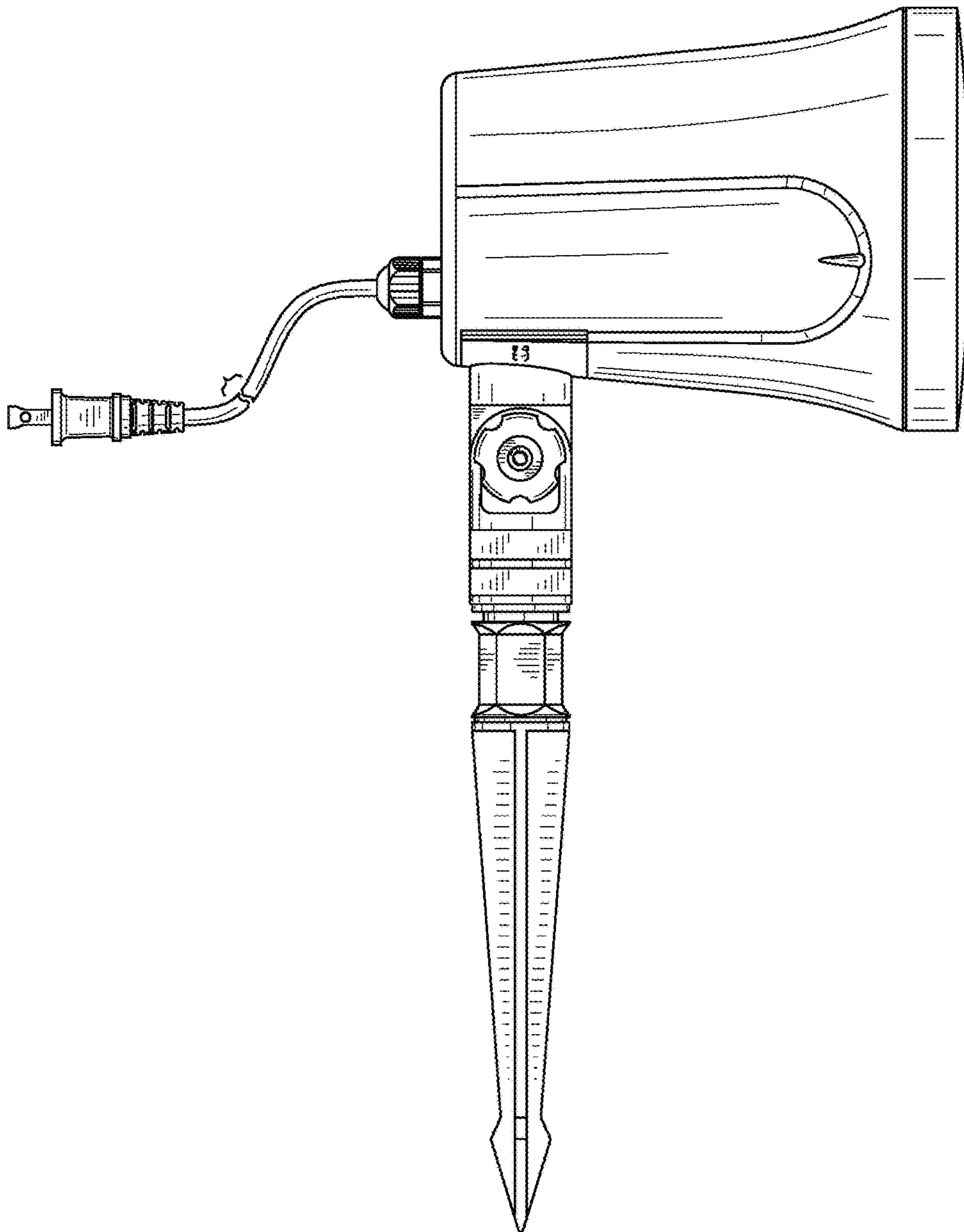


FIG. 4

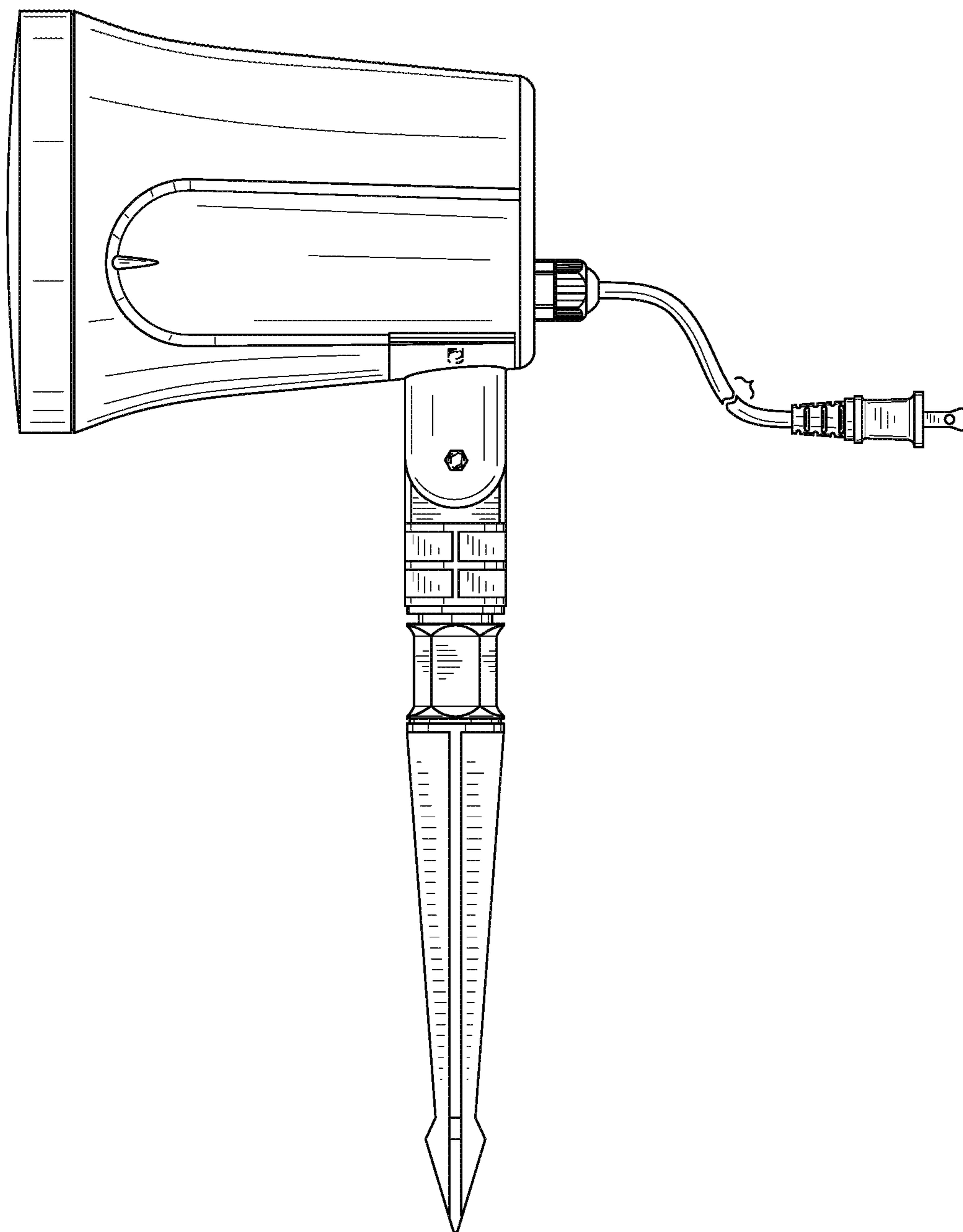


FIG. 5

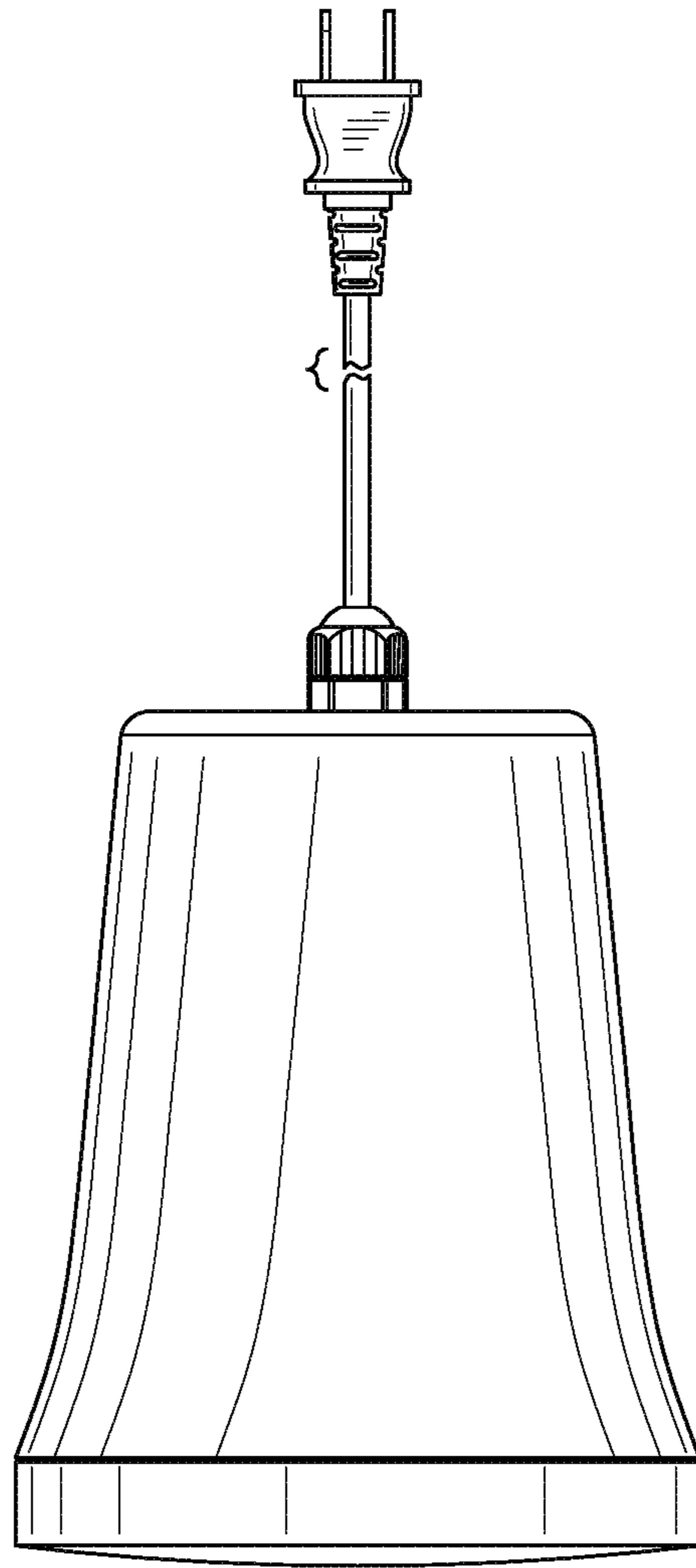


FIG. 6

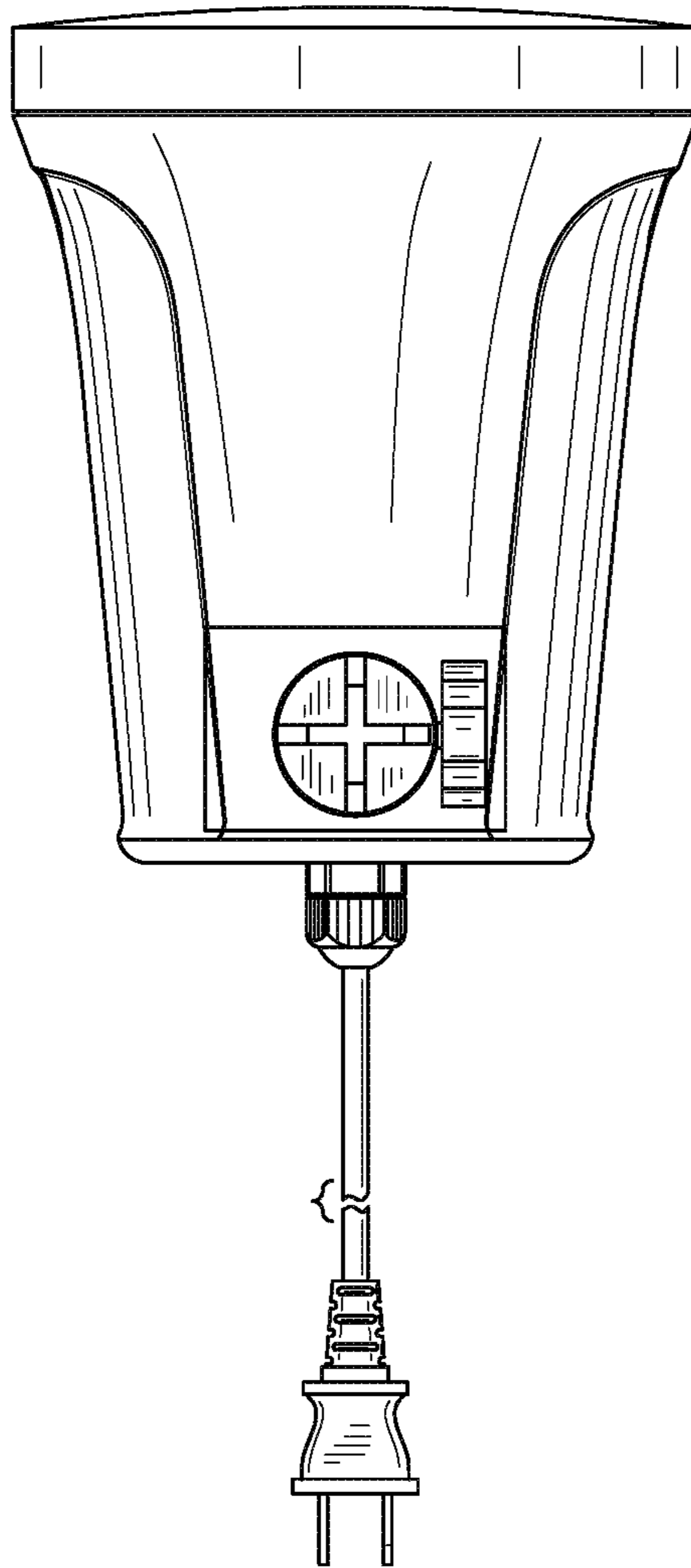


FIG. 7

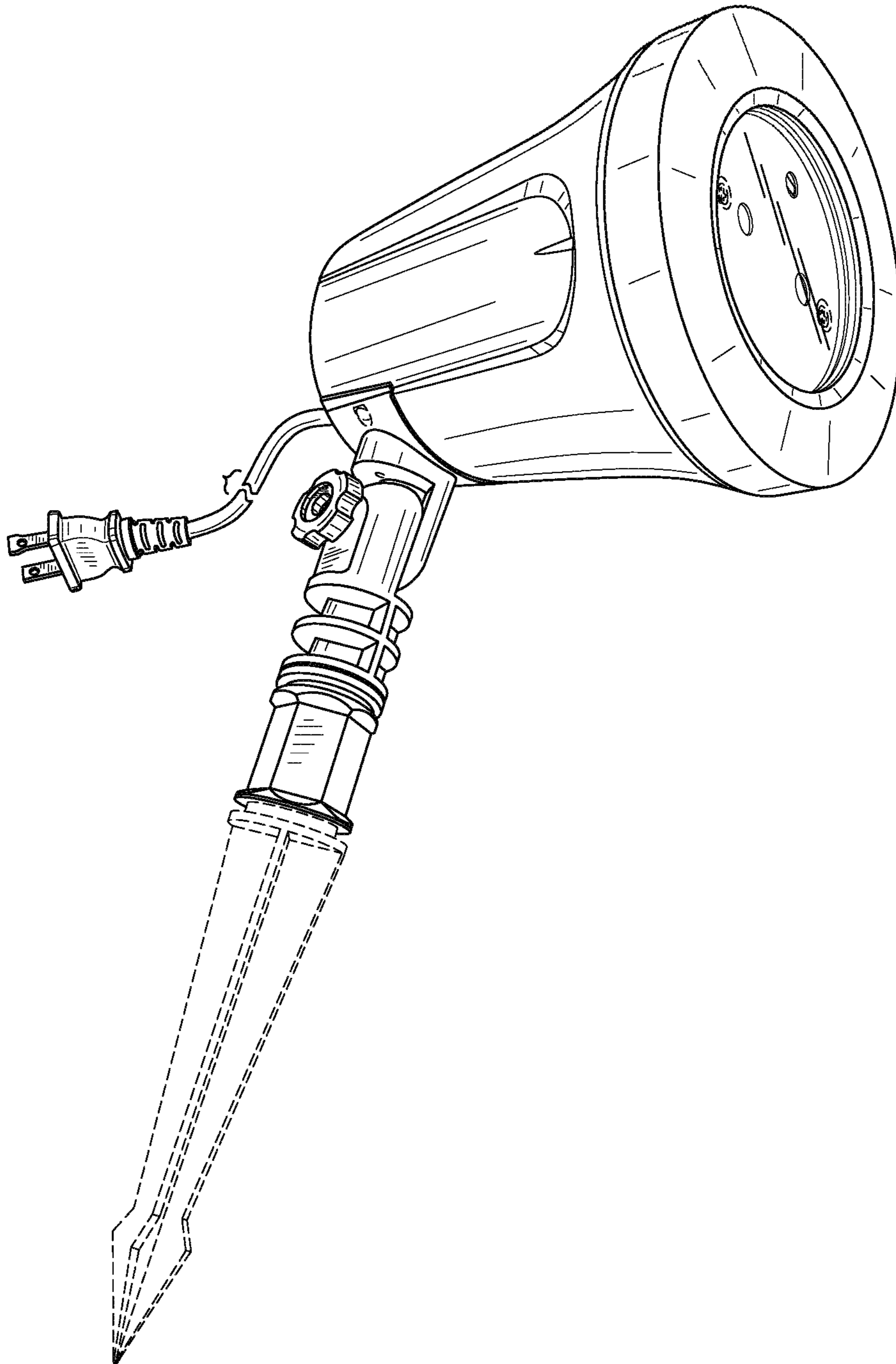


FIG. 8

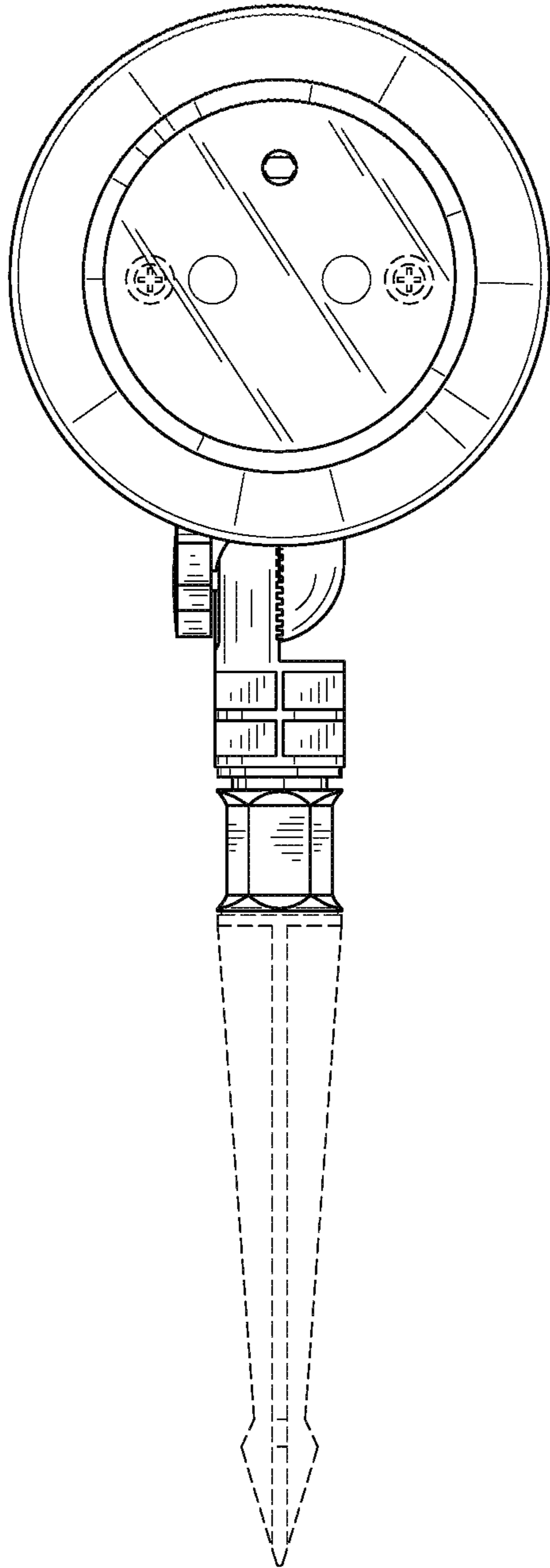


FIG. 9

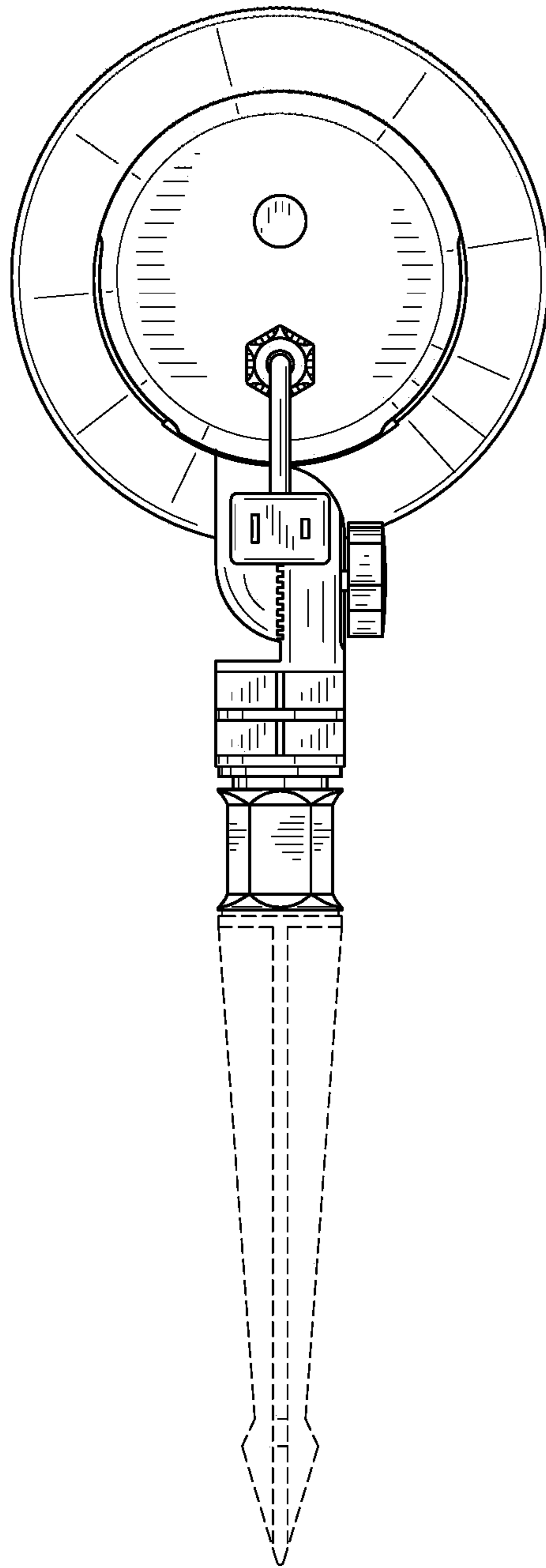


FIG. 10

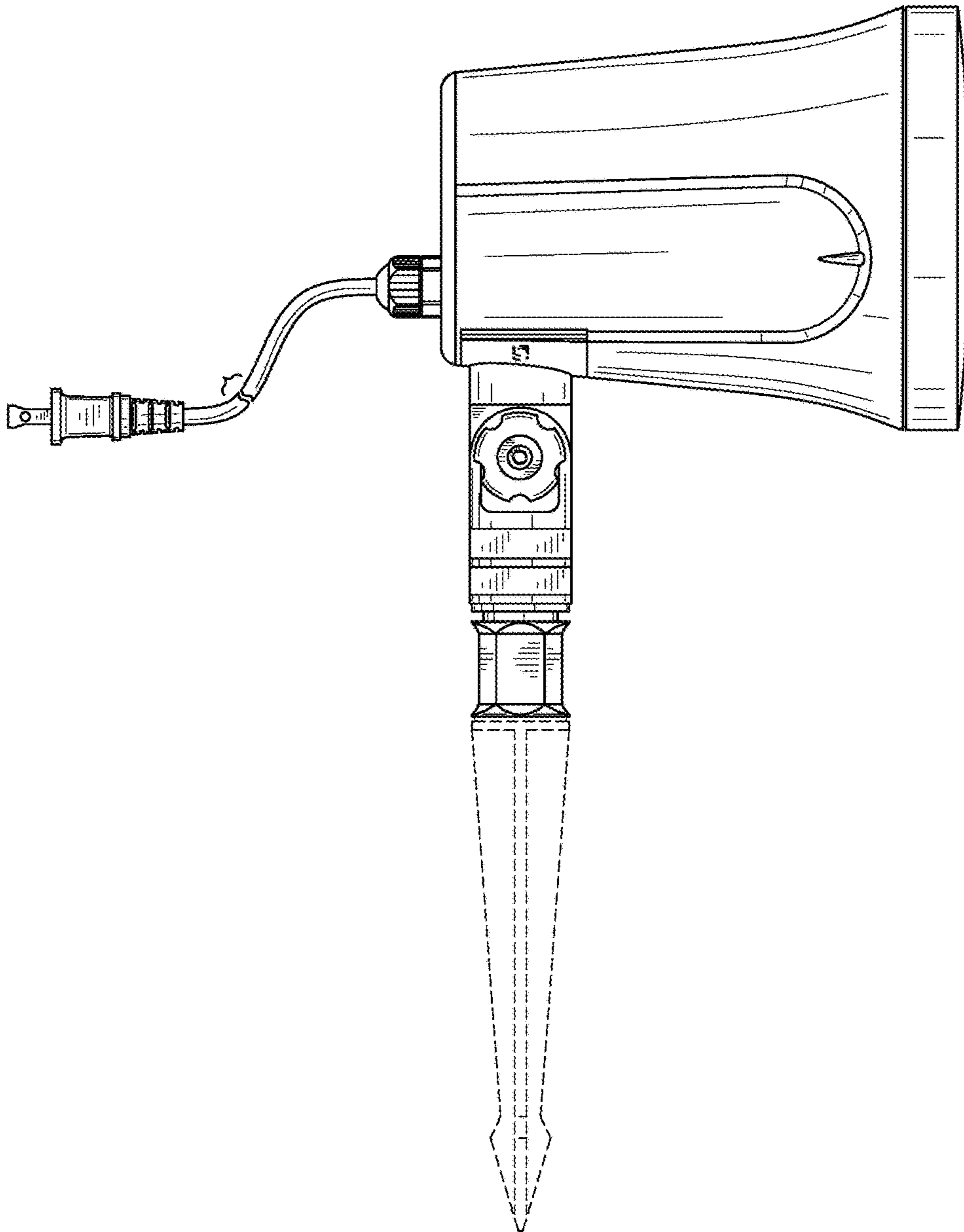


FIG. 11

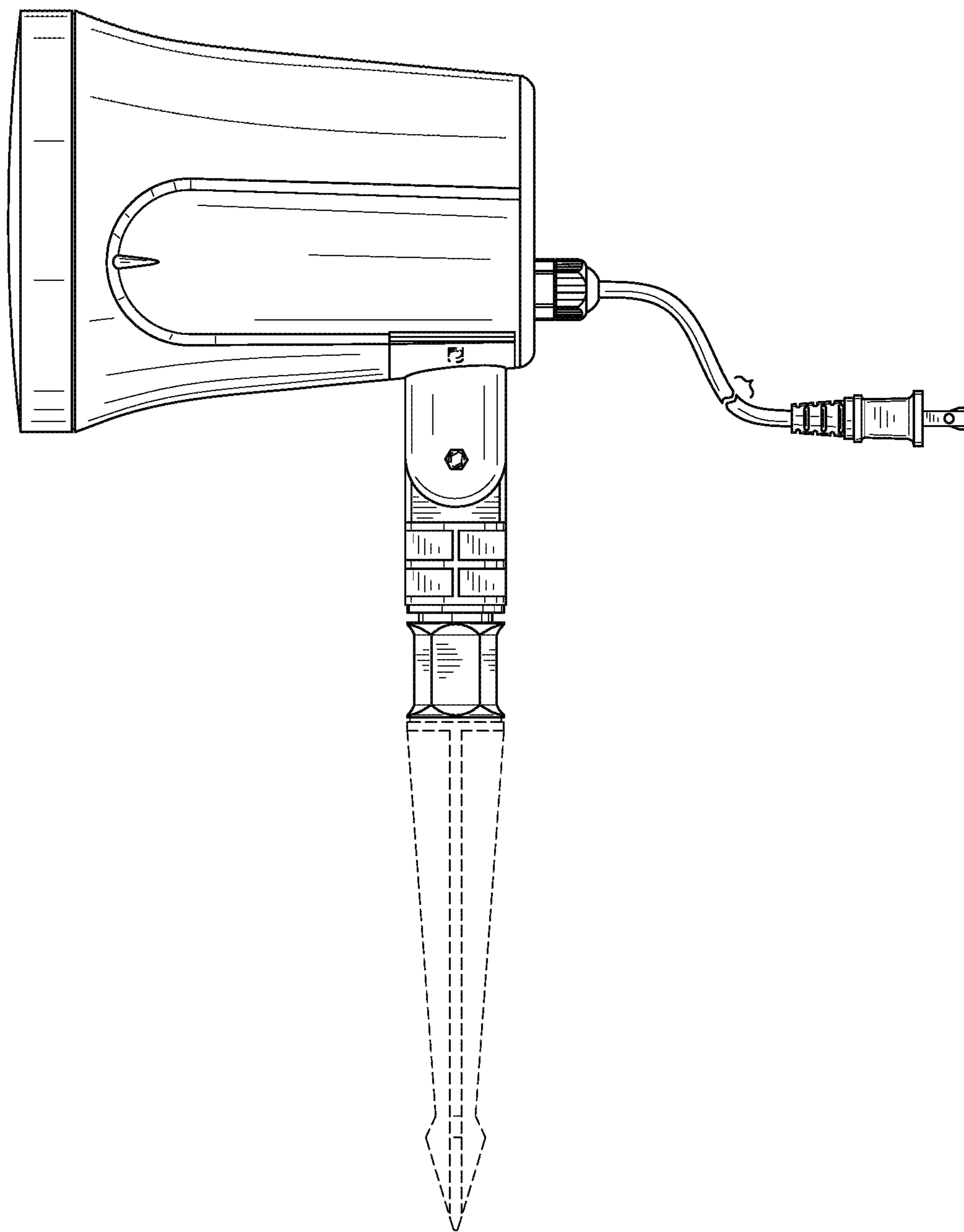


FIG. 12

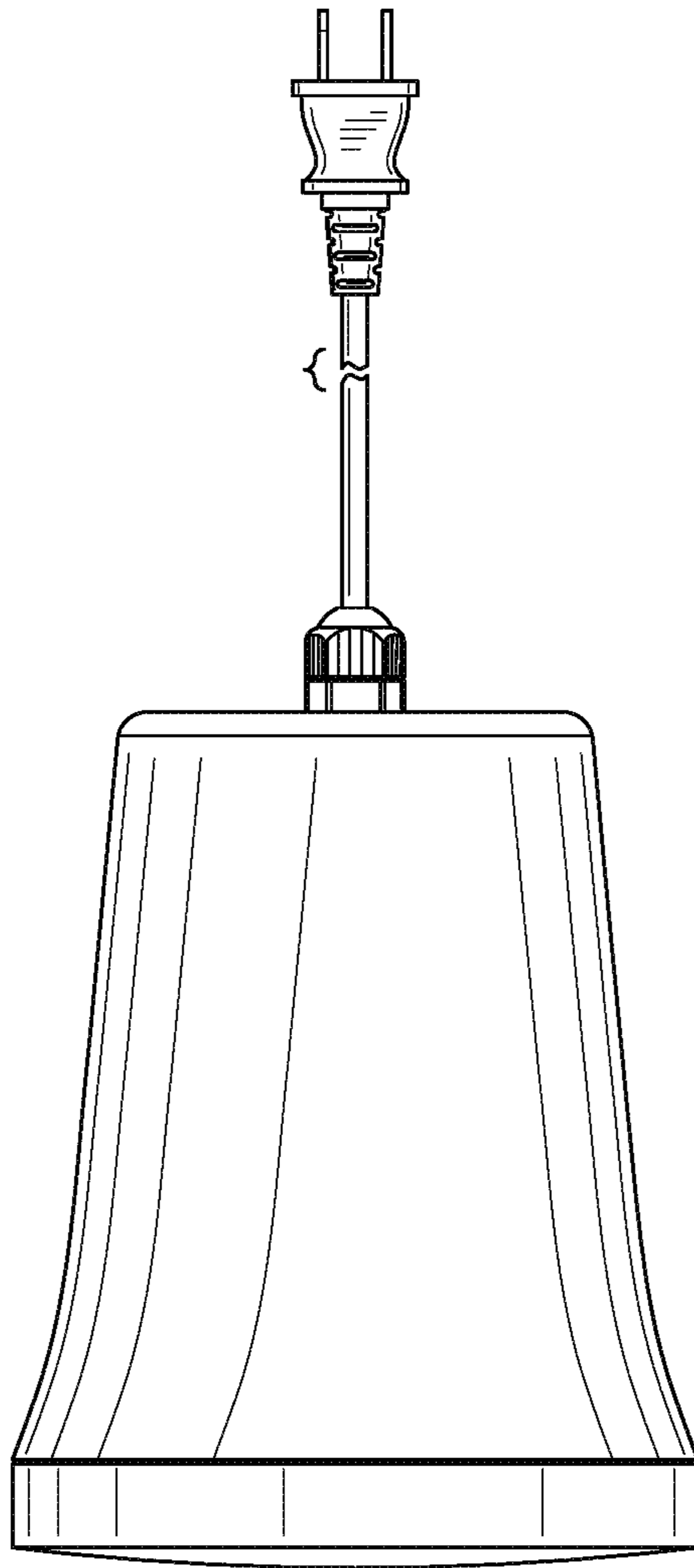


FIG. 13

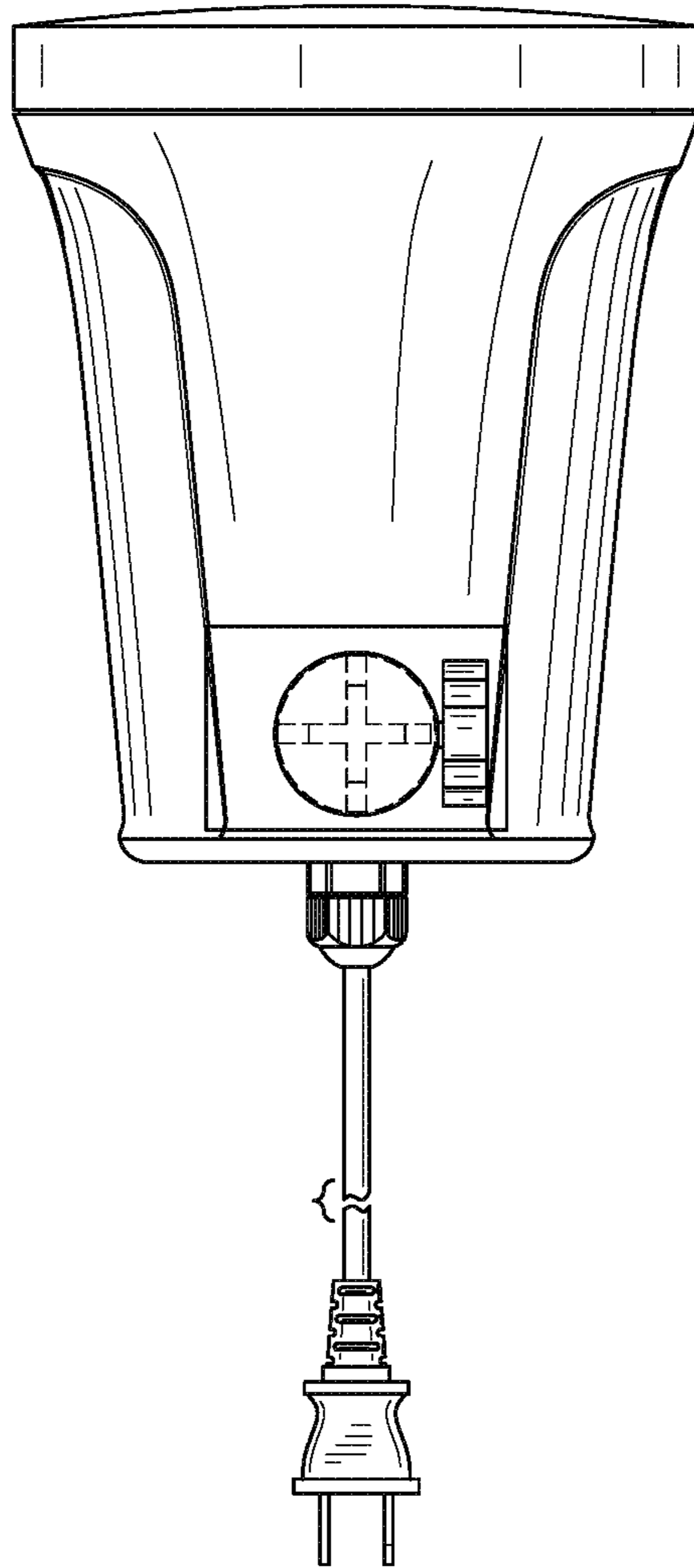


FIG. 14