



US00D777964S

(12) **United States Design Patent**
Hsiao

(10) **Patent No.:** **US D777,964 S**

(45) **Date of Patent:** **** Jan. 31, 2017**

(54) **SELF-CONTAINED LED MARINE LANTERN**

(71) Applicant: **Yu Hsiang Hsiao**, Keelung (TW)

(72) Inventor: **Yu Hsiang Hsiao**, Keelung (TW)

(**) Term: **15 Years**

(21) Appl. No.: **29/552,324**

(22) Filed: **Jan. 21, 2016**

(51) **LOC (10) Cl.** **26-05**

(52) **U.S. Cl.**
USPC **D26/67**

(58) **Field of Classification Search**
USPC D26/40, 63, 67-70; D10/113.2
CPC F21S 8/08; F21S 8/081; F21S 8/083;
F21S 8/088; F21S 9/03; F21S
9/032; F21S 9/035; F21S 9/037; F21W
2131/109; F21W 2111/023; F21V 21/0824
See application file for complete search history.

(56) **References Cited**

U.S. PATENT DOCUMENTS

D518,211 S *	3/2006	Krieger	D26/40
D520,163 S *	5/2006	Krieger	D26/40
D599,495 S *	9/2009	Xiao	D26/67
2002/0053879 A1 *	5/2002	Thoma	H05B 37/00 315/86
2004/0095777 A1 *	5/2004	Trenchard	B63B 45/04 362/477
2006/0109647 A1 *	5/2006	Liu	F21S 9/037 362/183
2007/0091594 A1 *	4/2007	Soon	F21L 4/00 362/183
2007/0236923 A1 *	10/2007	Fan	F21S 9/037 362/183
2007/0285023 A1 *	12/2007	Cooper	F21L 4/00 315/149

2008/0137350 A1 *	6/2008	Tian	B63B 45/00 362/362
2014/0362564 A1 *	12/2014	Giblett	F21S 9/035 362/183
2016/0040841 A1 *	2/2016	Martzall	F21V 23/04 362/183

OTHER PUBLICATIONS

LED Solar Powered Marine Lantern #AH-LS/C-6 from Anhang Technology Co. (HK) ; website visited Sep. 16, 2016. (1 page).*
Solar Powered LED Marine Navigation Lantern #SLC-310 found at premiermaterials.com visited Sep. 16, 2016.(2 pages).*
Marine Lanterns from Sealite.com visited Sep. 16, 2016. (2 pages).*

* cited by examiner

Primary Examiner — Clare E Heflin

(74) *Attorney, Agent, or Firm* — Chun-Ming Shih

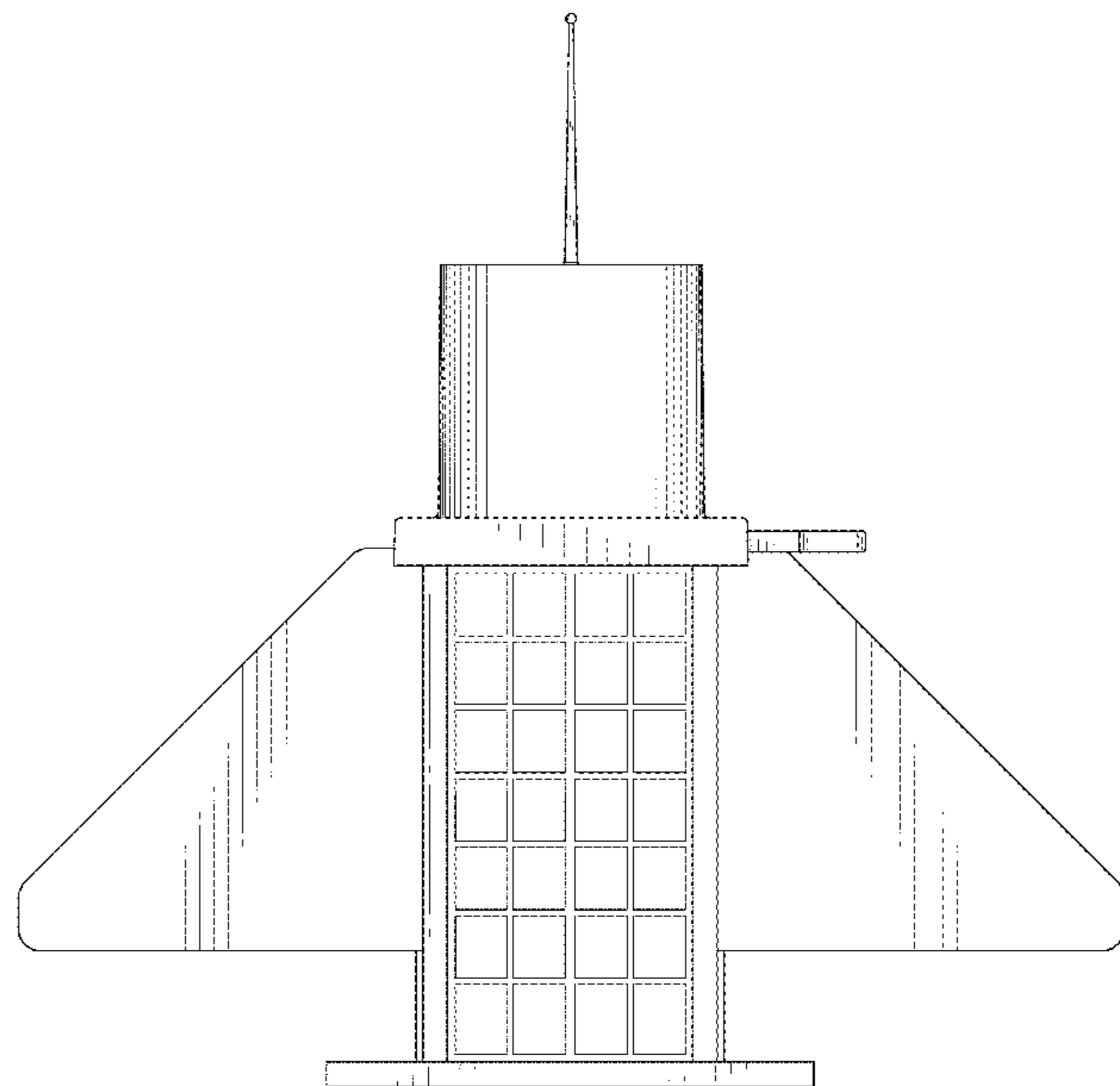
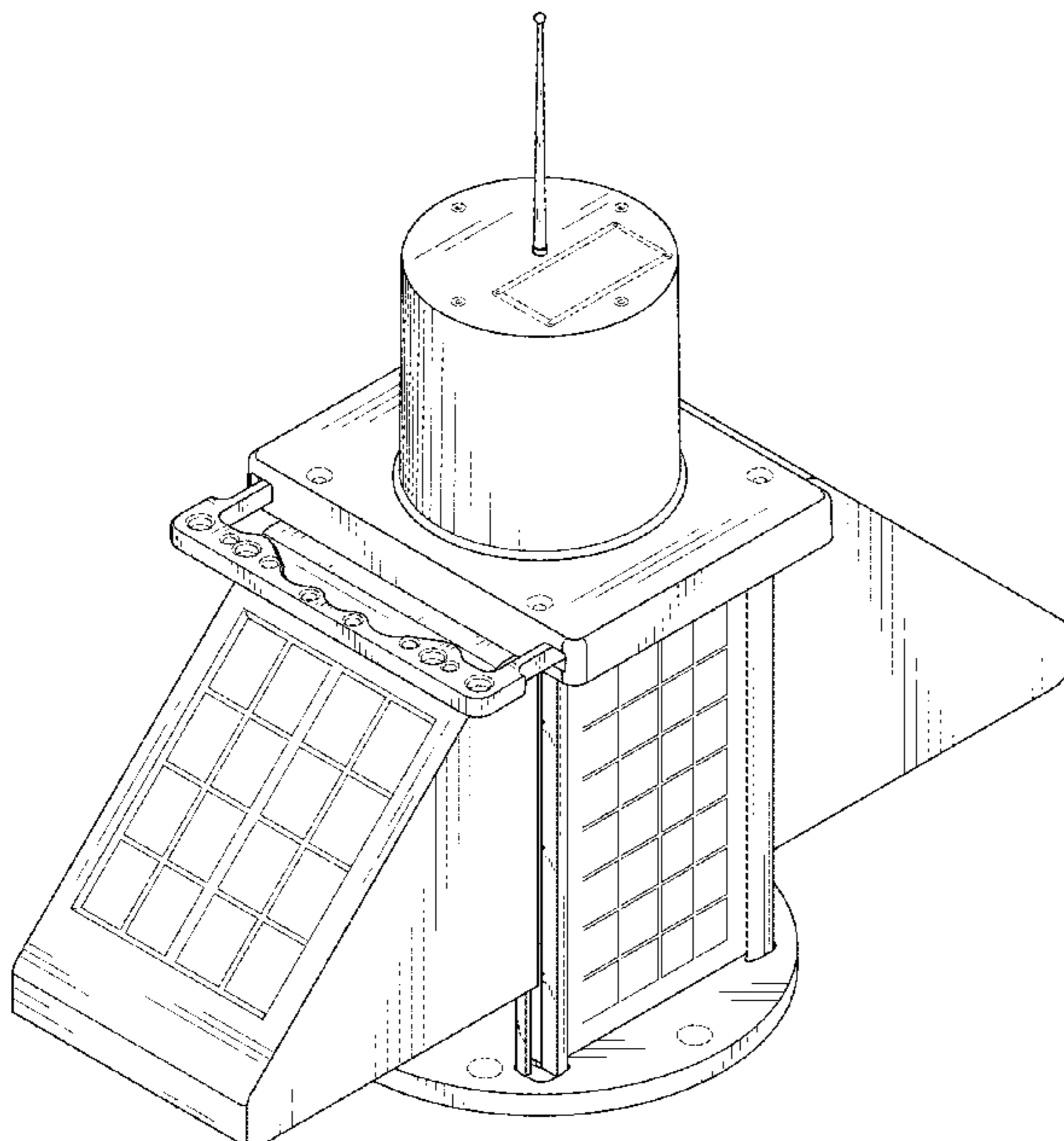
(57) **CLAIM**

The ornamental design for a self-contained LED marine lantern, as shown and described.

DESCRIPTION

FIG. 1 is a perspective view of a self-contained LED marine lantern showing my new design;
FIG. 2 is a front view thereof;
FIG. 3 is a rear view thereof;
FIG. 4 is a left side view thereof;
FIG. 5 is a right side view thereof;
FIG. 6 is a top view thereof;
FIG. 7 is a bottom view thereof; and,
FIG. 8 is a perspective view showing a handle of the self-contained LED marine lantern in FIG. 1 being retracted. The broken lines shown on the drawings depict portions of the lantern that form no part of the claimed design.

1 Claim, 8 Drawing Sheets



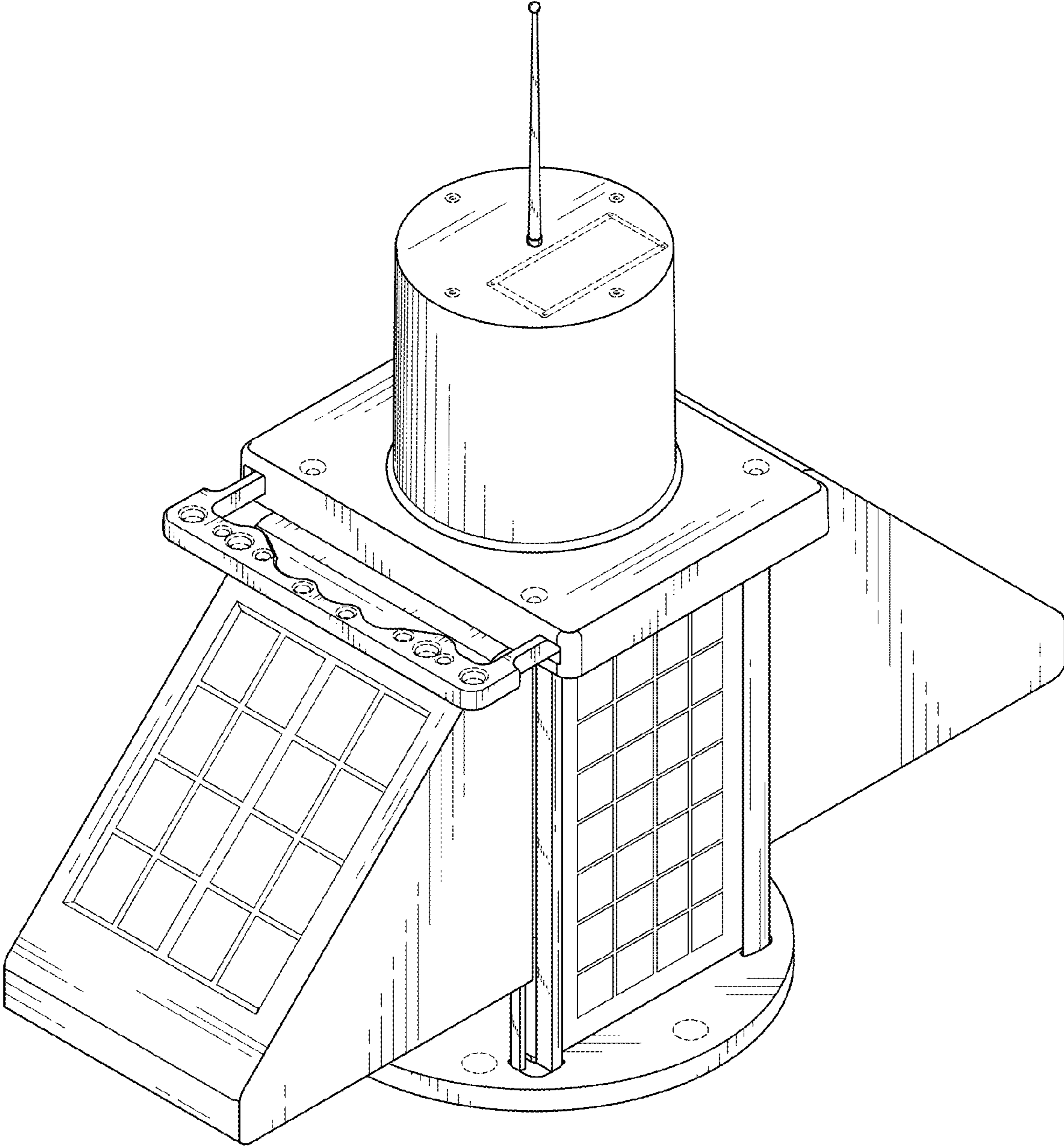


FIG. 1

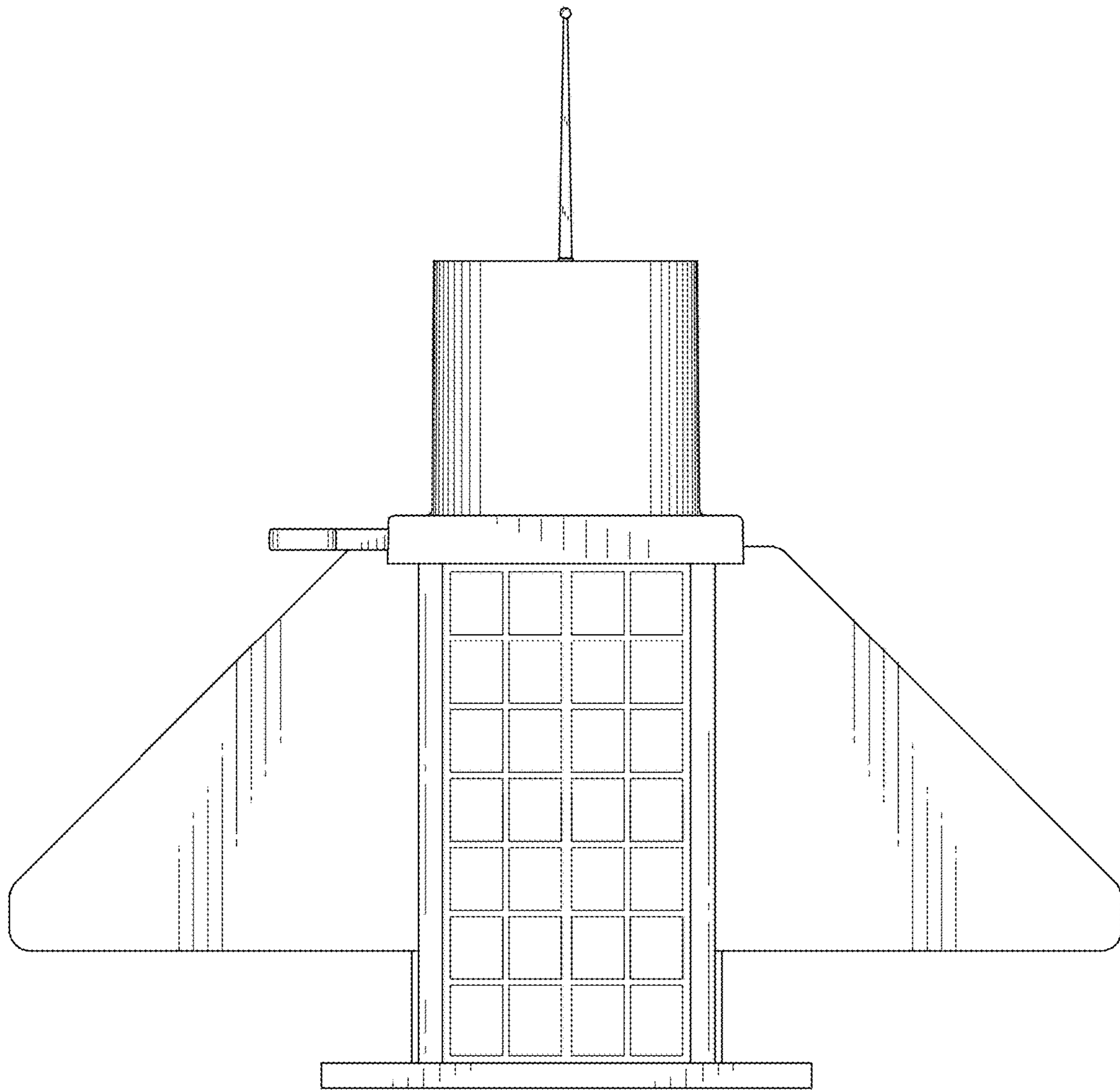


FIG. 2

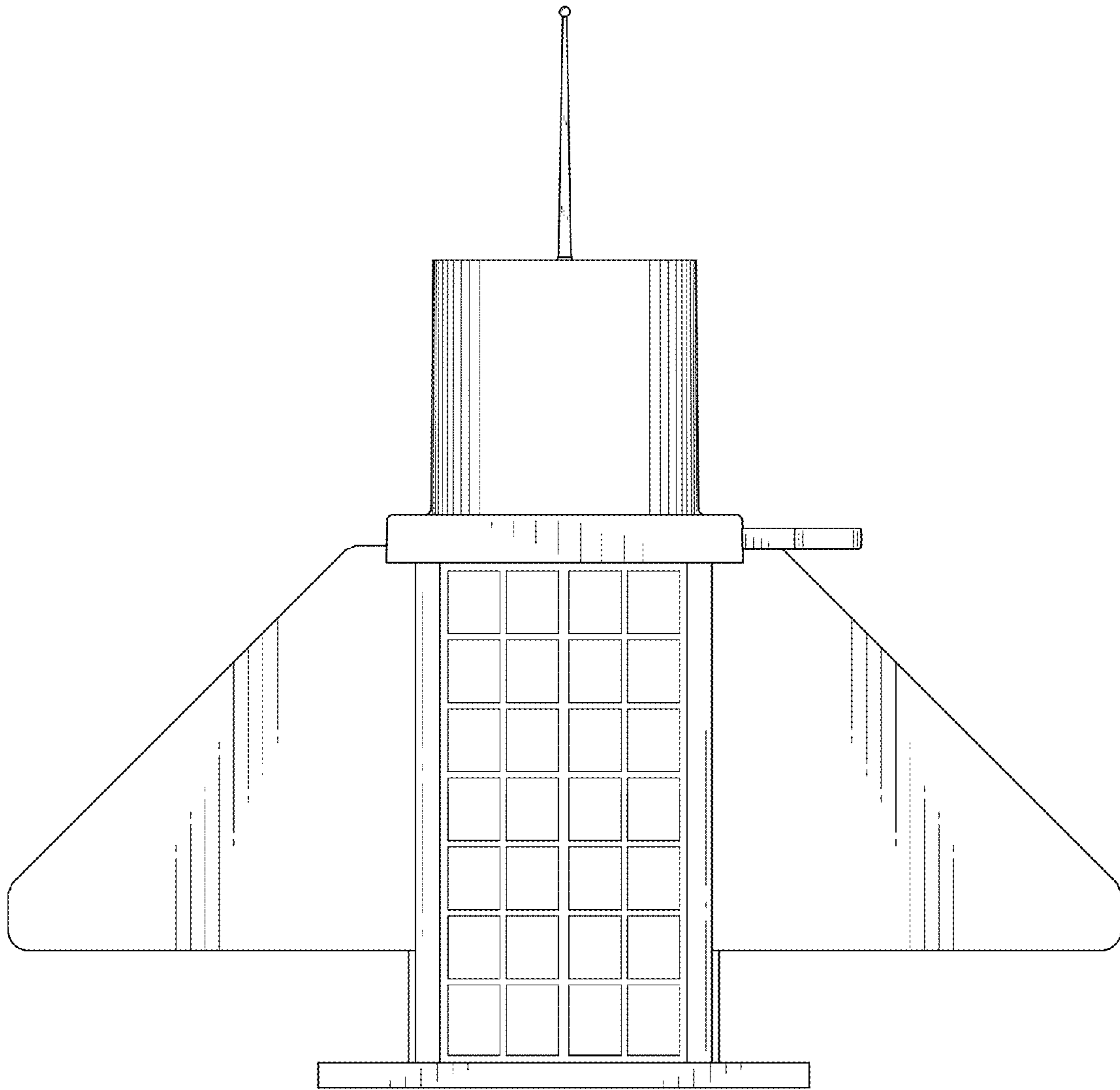


FIG. 3

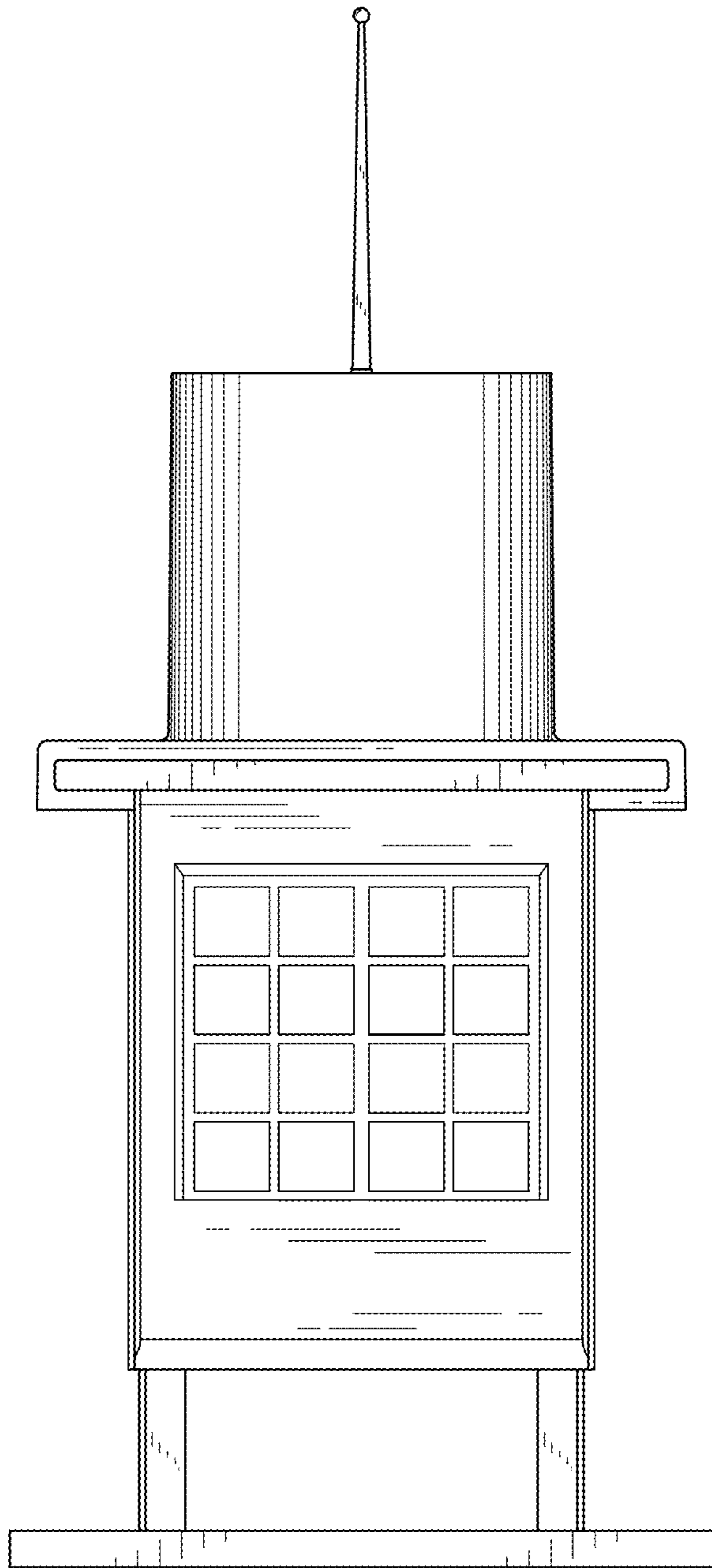


FIG. 4

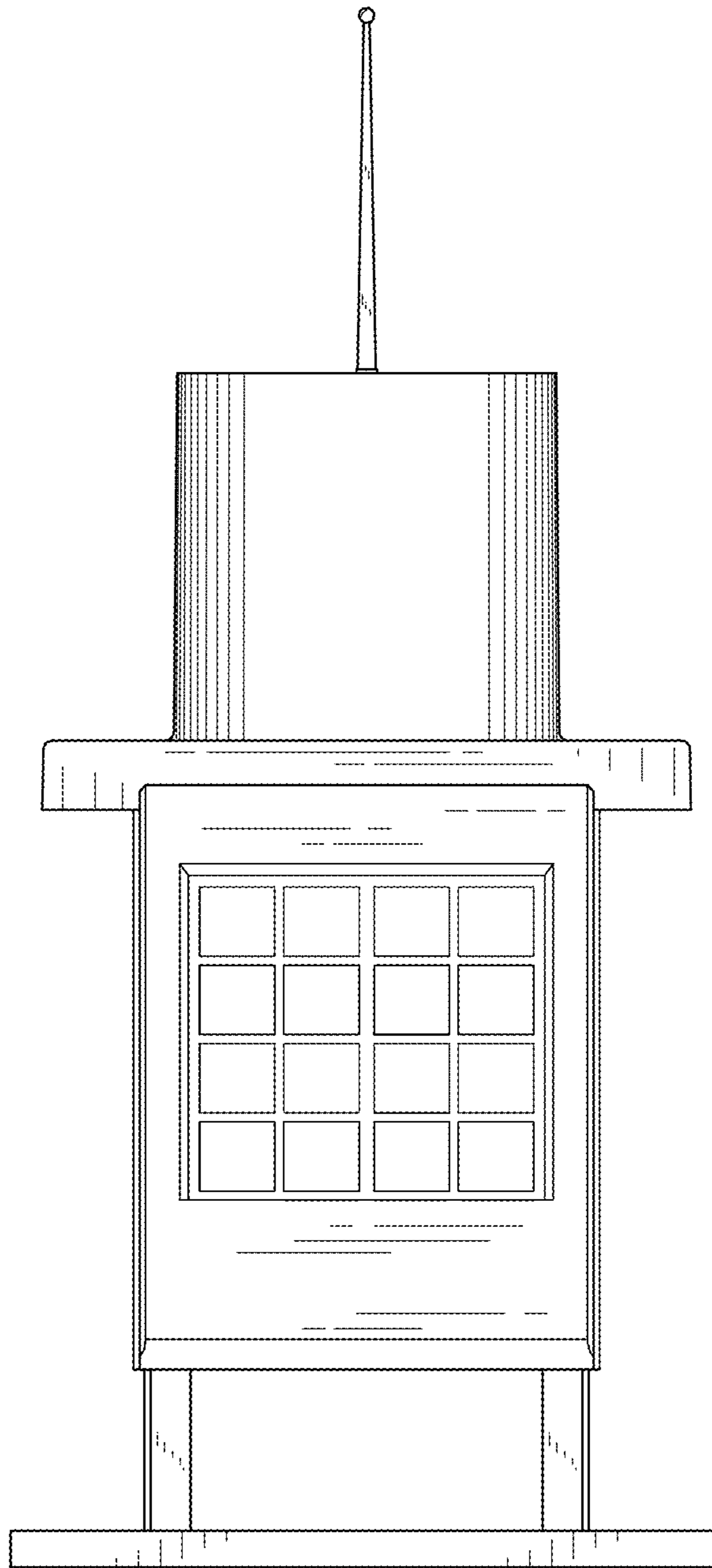


FIG. 5

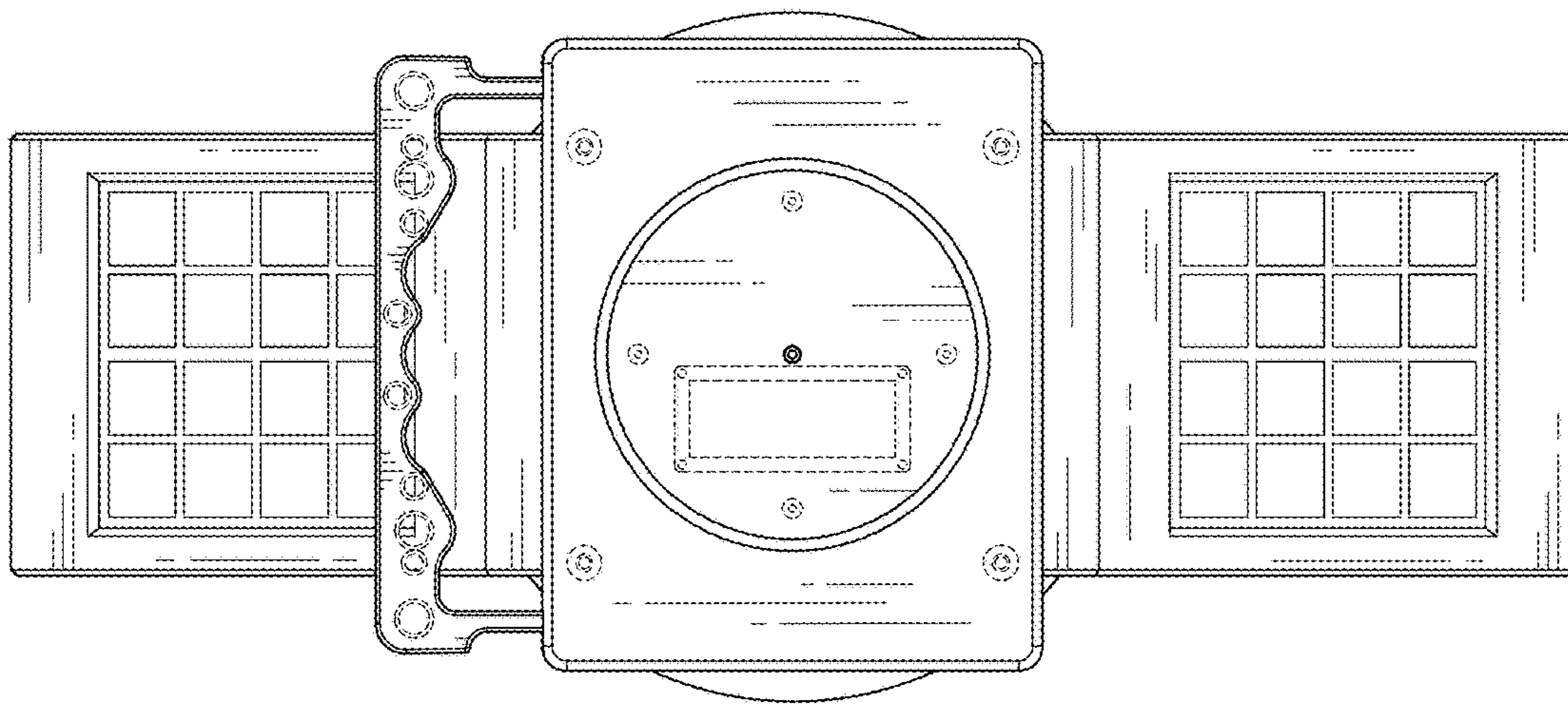


FIG. 6

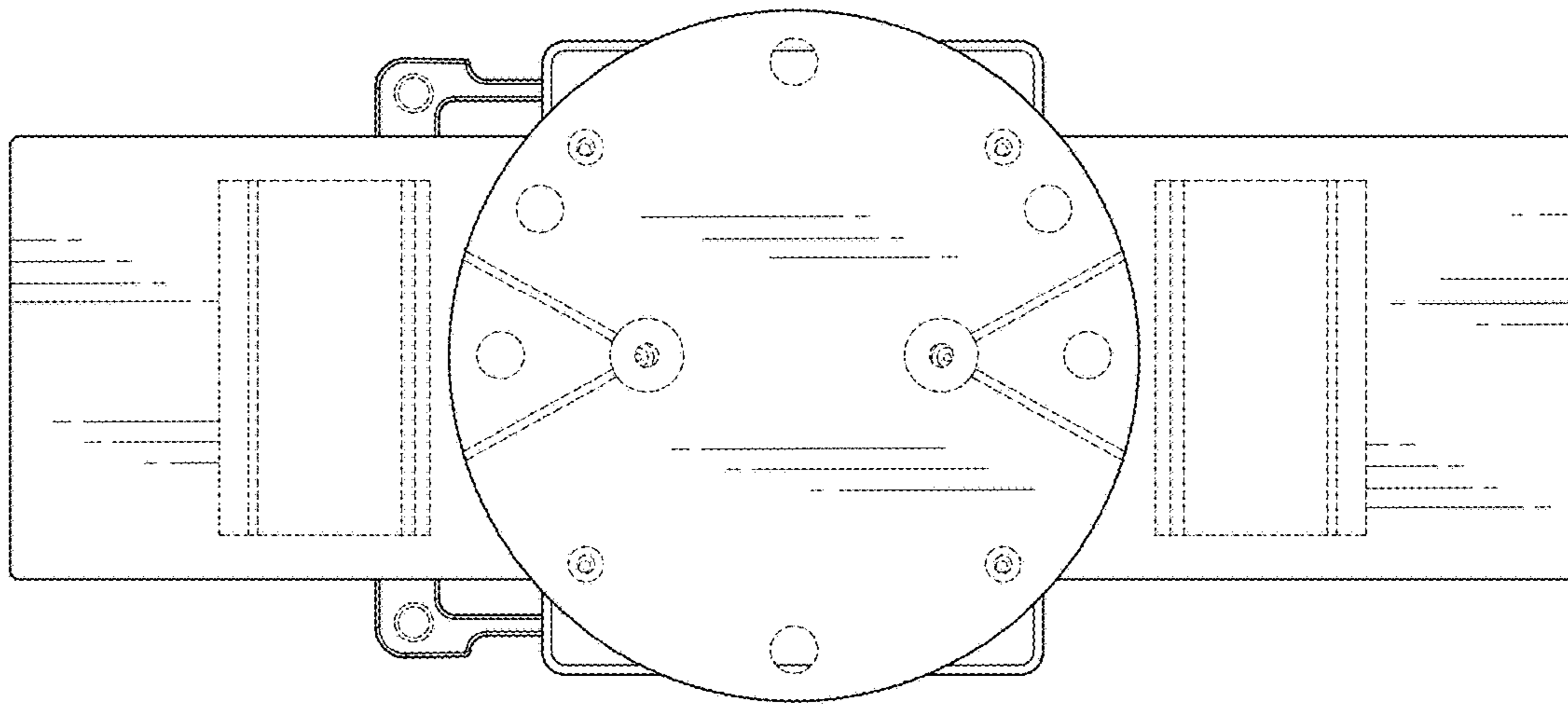


FIG. 7

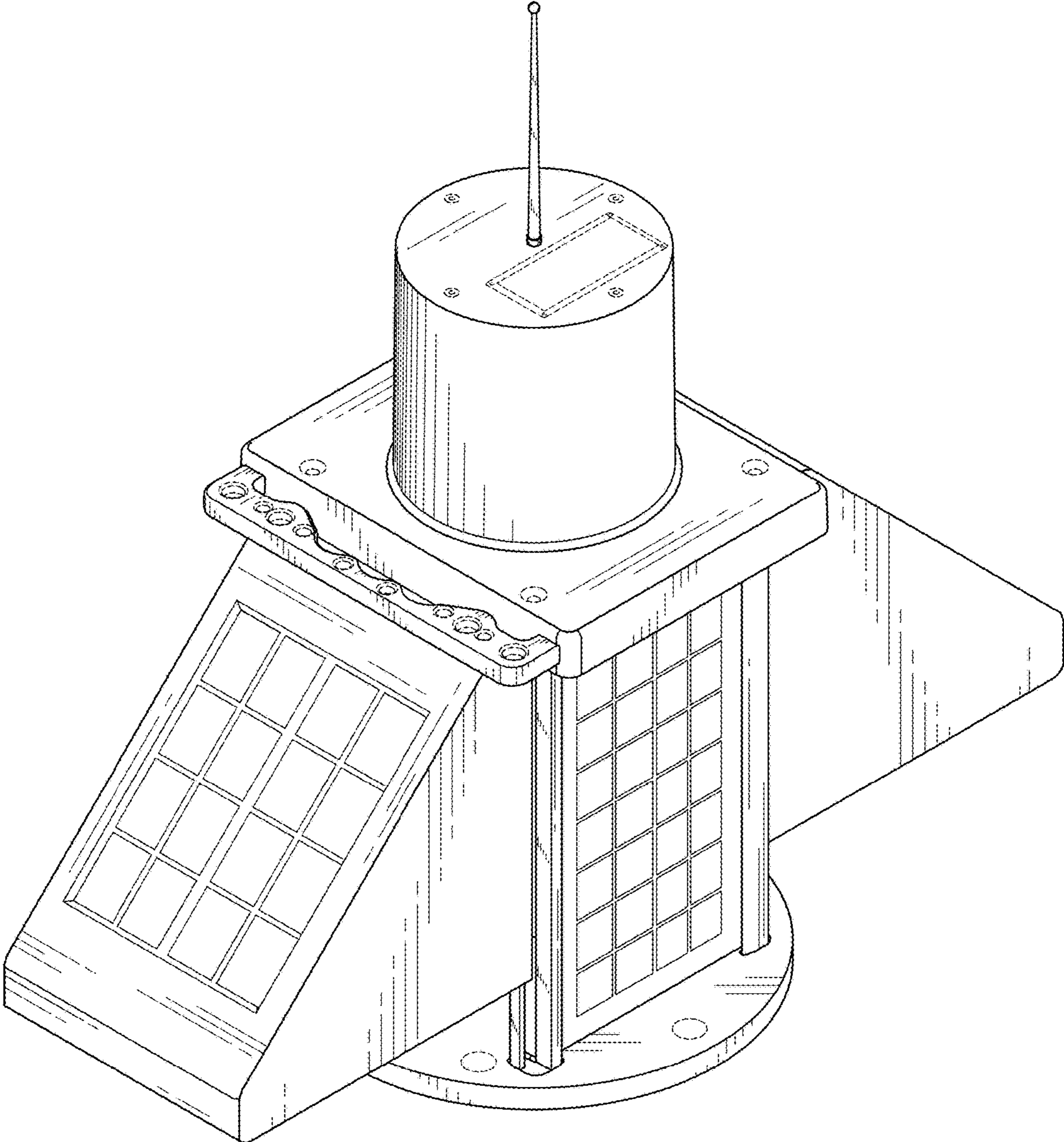


FIG. 8