



US00D777963S

(12) **United States Design Patent**
Helms

(10) **Patent No.:** **US D777,963 S**
(45) **Date of Patent:** **** Jan. 31, 2017**

- (54) **LIGHTING FIXTURE**
- (71) Applicant: **Clarolux, Inc.**, Greensboro, NC (US)
- (72) Inventor: **Brandon Helms**, Greensboro, NC (US)
- (73) Assignee: **Clarolux, LLC**, Greensboro, NC (US)
- (**) Term: **15 Years**
- (21) Appl. No.: **29/546,123**
- (22) Filed: **Nov. 19, 2015**
- (51) **LOC (10) Cl.** **26-05**
- (52) **U.S. Cl.**
USPC **D26/67**
- (58) **Field of Classification Search**
USPC D26/63, 67-70; D10/113.2
CPC F21S 8/08; F21S 8/081; F21S 8/083;
F21S 8/088; F21S 9/03; F21S
9/032; F21S 9/035; F21S 9/037; F21S
6/003; F21S 6/004; F21S 6/005; F21W
2131/109; F21W 2111/023; F21V
21/0824
See application file for complete search history.

4,438,484	A	*	3/1984	Winden	F21S 8/083	362/145
D316,459	S	*	4/1991	Kira	D26/104	
5,649,760	A	*	7/1997	Beadle	F21V 17/02	362/267
D426,012	S	*	5/2000	Giese	D26/68	
6,161,948	A	*	12/2000	Hagen	F16M 11/06	362/267
D439,692	S	*	3/2001	Kung	D26/68	
D468,042	S	*	12/2002	Volpe	D26/67	
D468,471	S	*	1/2003	Chen	D26/67	
D495,445	S	*	8/2004	Cooper	D26/67	
D697,246	S	*	1/2014	Martzall	D26/67	
D722,190	S	*	2/2015	Rommens	D26/68	

* cited by examiner

Primary Examiner — Clare E Heflin
(74) *Attorney, Agent, or Firm* — MacCord Mason PLLC

(57) **CLAIM**

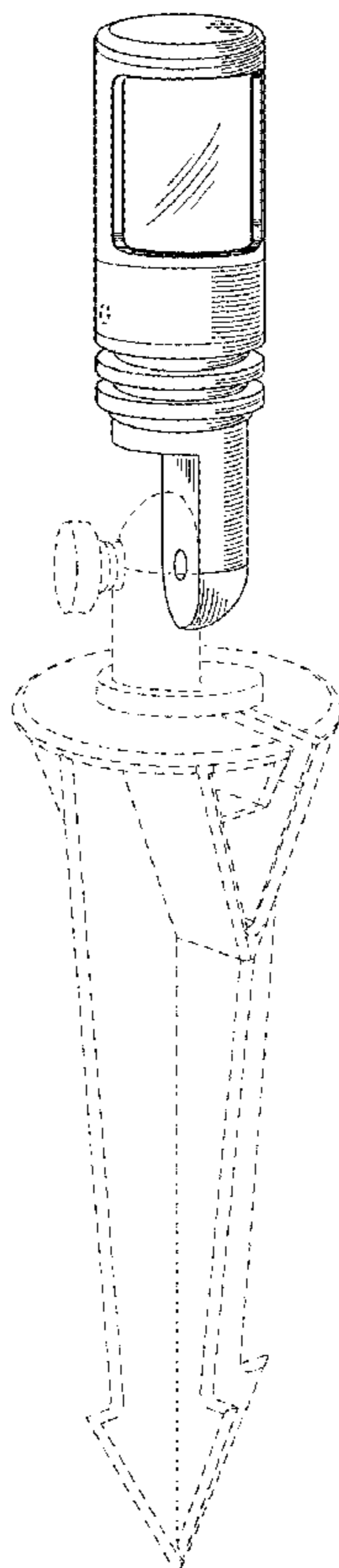
The ornamental design for a lighting fixture, as shown and described.

DESCRIPTION

FIG. 1 is a front perspective view of a lighting fixture; FIG. 2 is a top view thereof; and, FIG. 3 is a bottom view thereof. The broken lines in all views are included for the purpose of illustrating portions of the lighting fixture that form no part of the claimed design.

- (56) **References Cited**
U.S. PATENT DOCUMENTS
D234,809 S * 4/1975 Delin D26/67
D234,971 S * 4/1975 Delin D26/67

1 Claim, 1 Drawing Sheet



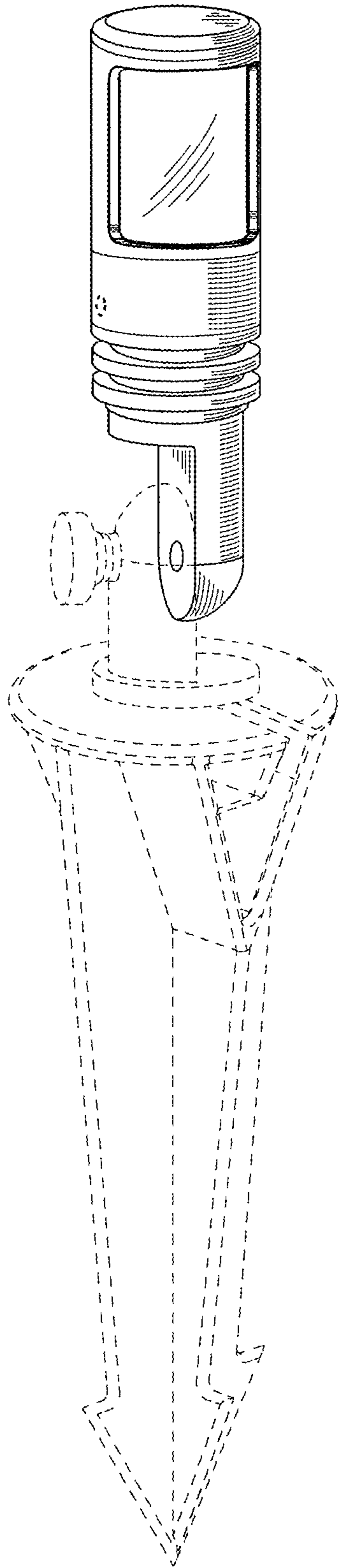


FIG. 1

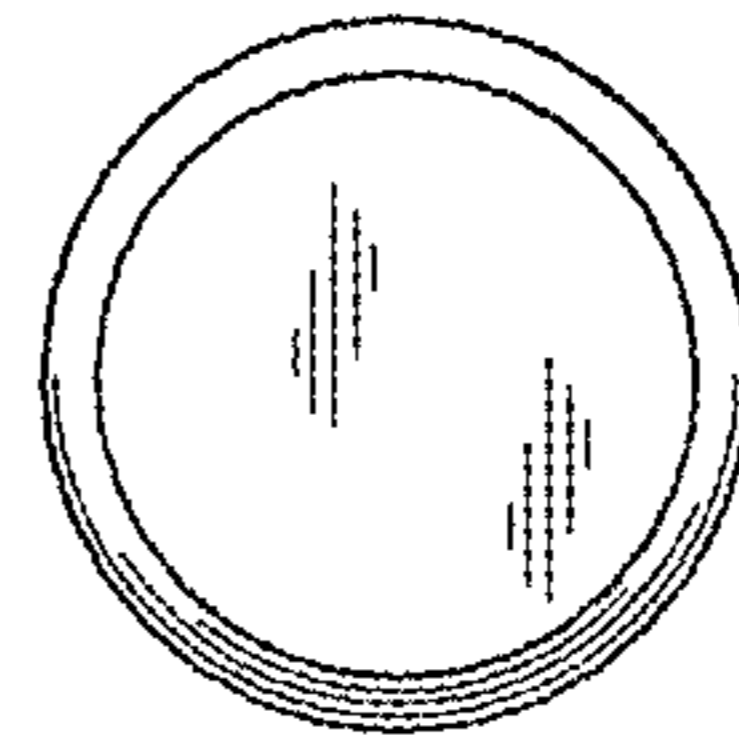


FIG. 2

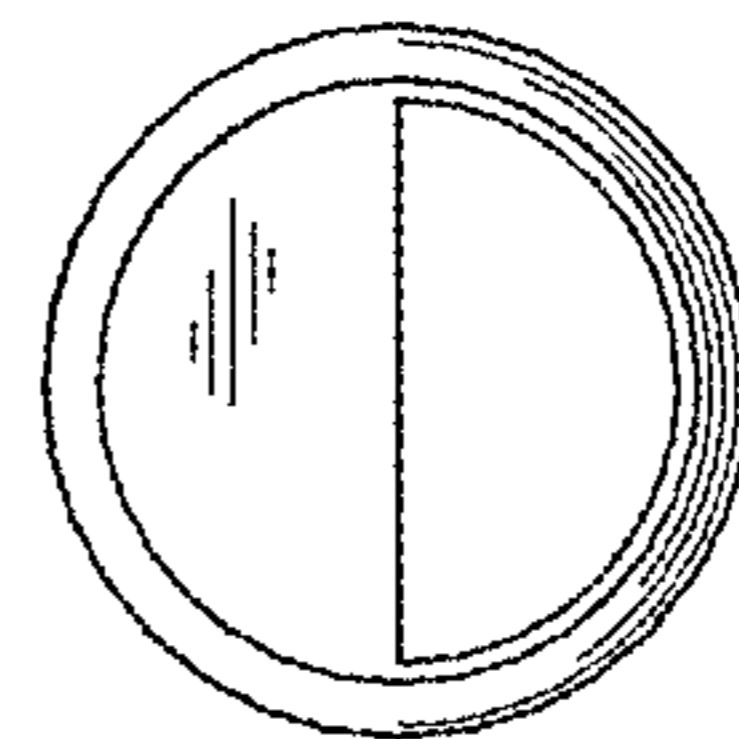


FIG. 3