



US00D777962S

(12) **United States Design Patent**
Scott et al.

(10) **Patent No.:** **US D777,962 S**
(45) **Date of Patent:** **** Jan. 31, 2017**

(54) **LAMP**

(71) Applicant: **SCOTT RESOURCES, LLC**,
Alameda, CA (US)

(72) Inventors: **Robert Patrick Scott**, San Leandro,
CA (US); **Jinqing Zhou**, Handzhou
(CN)

(73) Assignee: **SCOTT RESOURCES, LLC**,
Alameda, CA (US)

(**) Term: **15 Years**

(21) Appl. No.: **29/530,005**

(22) Filed: **Jun. 12, 2015**

(30) **Foreign Application Priority Data**

Feb. 6, 2015 (CN) 2015 3 0036605

(51) **LOC (10) Cl.** **26-02**

(52) **U.S. Cl.**
USPC **D26/38**; D26/49

(58) **Field of Classification Search**
USPC D26/37, 38, 46, 51; 362/187, 158, 183,
362/184, 194–196, 200–208, 253
(Continued)

(56) **References Cited**

U.S. PATENT DOCUMENTS

5,463,539 A * 10/1995 Vandenberg F21L 7/00
362/116

D443,370 S * 6/2001 Yu D26/37
(Continued)

Primary Examiner — Ian Simmons

Assistant Examiner — Carissa C Fitts

(74) *Attorney, Agent, or Firm* — Ronald L. Rohde

(57) **CLAIM**

The ornamental design for a lamp, as shown and described.

DESCRIPTION

FIG. 1 is a top perspective view of my new design for a lamp;

FIG. 2 is a bottom perspective view of my new invention;

FIG. 3 is a left side elevation view of my new invention;

FIG. 4 is a rear elevation view of my new invention;

FIG. 5 is a right side elevation view of my new invention;

FIG. 6 is a front elevation view of my new invention;

FIG. 7 is a bottom plan view of my new invention;

FIG. 8 is a top plan view of my new invention;

FIG. 9 is a bottom plan view of my new invention with a carabineer clip open and a crank extended;

FIG. 10 is a top plan view of my new invention with the carabineer clip open and the crank extended;

FIG. 11 is a left side elevation view of my new invention with the carabineer clip open and the crank extended;

FIG. 12 is a rear elevation view of my new invention with the carabineer clip open and the crank extended;

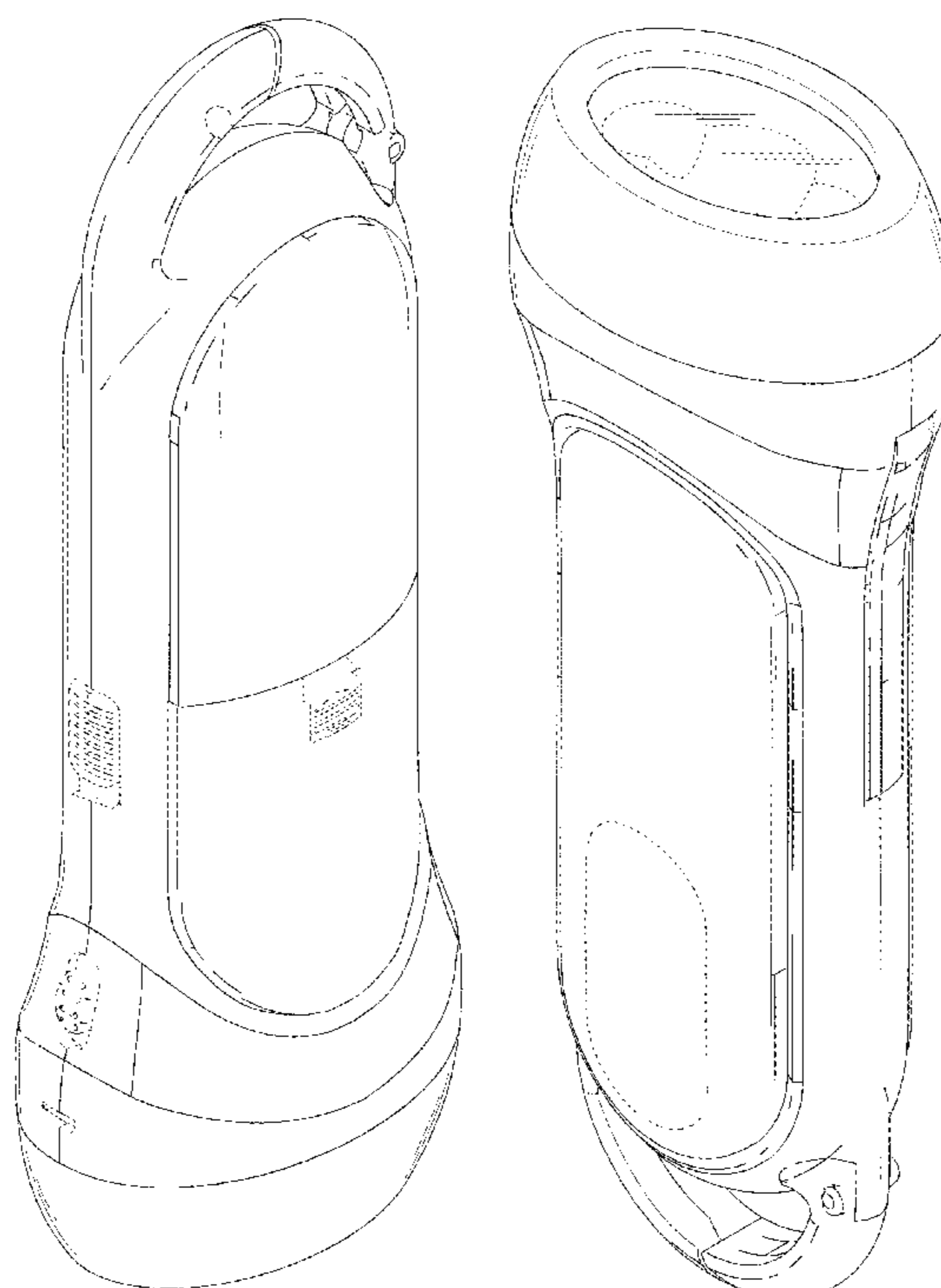
FIG. 13 is a right side elevation view of my new invention with the carabineer clip open and the crank extended;

FIG. 14 is a front elevation view of my new invention with the carabineer clip open and the crank extended; and,

FIG. 15 is a top perspective view of my new invention with the carabineer clip open and the crank extended.

The broken lines shown represent unclaimed portions of the article and form no part of the claimed design.

1 Claim, 8 Drawing Sheets



(58) **Field of Classification Search**

CPC F21L 2003/00; F21L 4/00; F21L 4/005;
F21L 4/02; F21L 4/025; F21L
4/027; F21L 4/04; F21L 4/08; F21L
2005/00; F21L 7/00; F21L 11/00; F21L
13/00; F21L 13/04; F21L 13/08; F21L
14/02; F21L 17/00; F21L 19/00

See application file for complete search history.

(56) **References Cited**

U.S. PATENT DOCUMENTS

D495,073	S	*	8/2004	Kumthampinij	D26/37
D498,014	S	*	11/2004	Cormier	D26/37
D498,864	S	*	11/2004	Lee	D26/37
D500,376	S	*	12/2004	Cormier	D26/37
D507,370	S	*	7/2005	Marshall	D26/37
D530,031	S	*	10/2006	Kung	D26/37
D543,297	S	*	5/2007	Osiecki	D26/37
D544,119	S	*	6/2007	Ding	D26/37
D546,990	S	*	7/2007	Wang	D26/37
D569,536	S	*	5/2008	Henderson	D26/37
D593,694	S	*	6/2009	Bent	D26/37
D624,222	S	*	9/2010	Poon	D26/46
D636,510	S	*	4/2011	Killion	D26/46
D660,487	S	*	5/2012	Wu	D26/38
D677,412	S	*	3/2013	Smith	D26/37
2005/0180130	A1	*	8/2005	Harris F21V 23/0414	362/184

* cited by examiner

Fig. 1

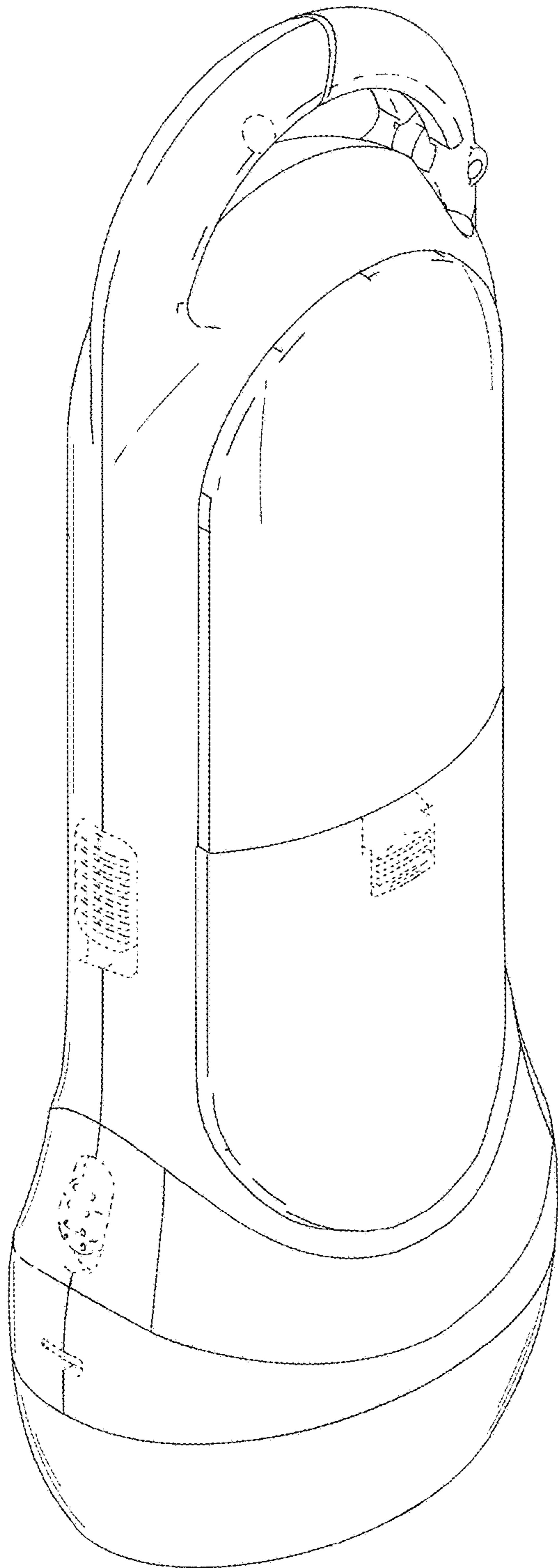


Fig. 2

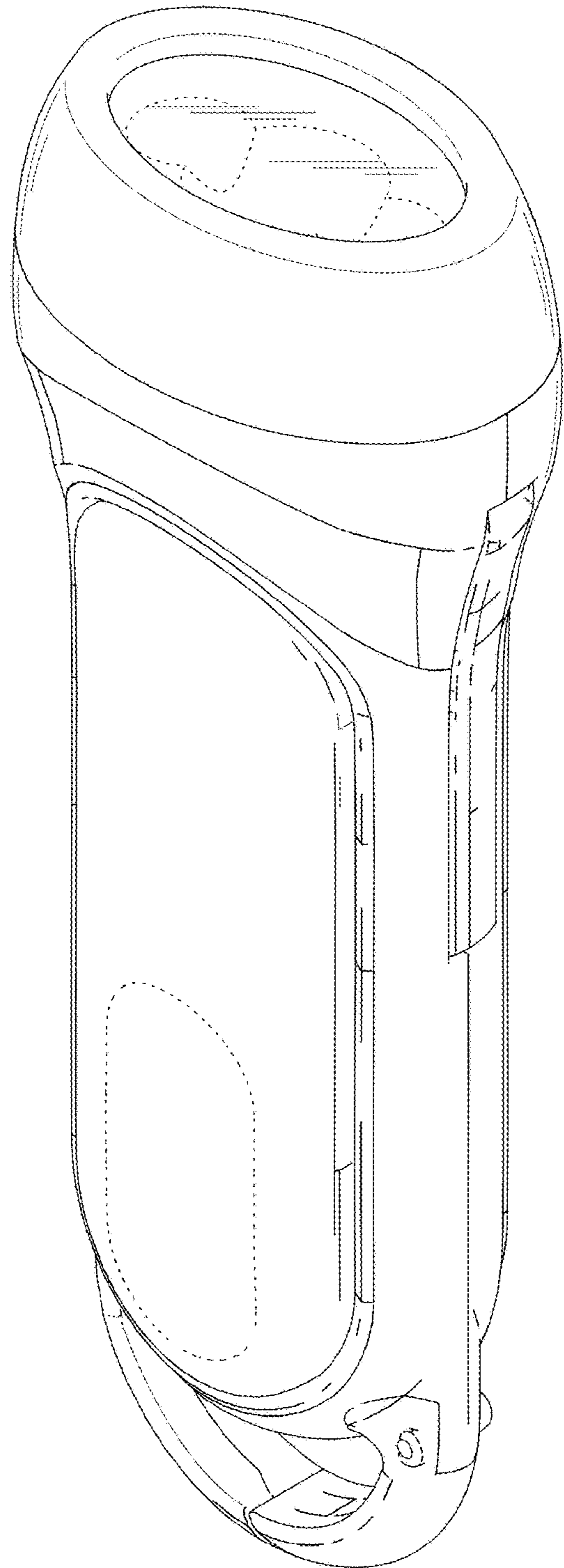


Fig. 3

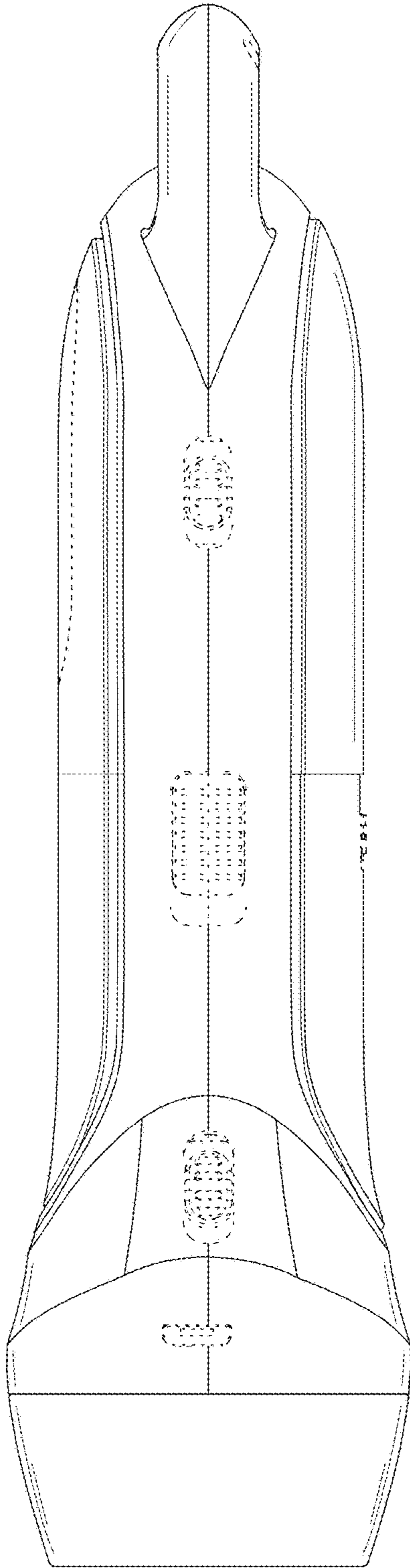


Fig. 4

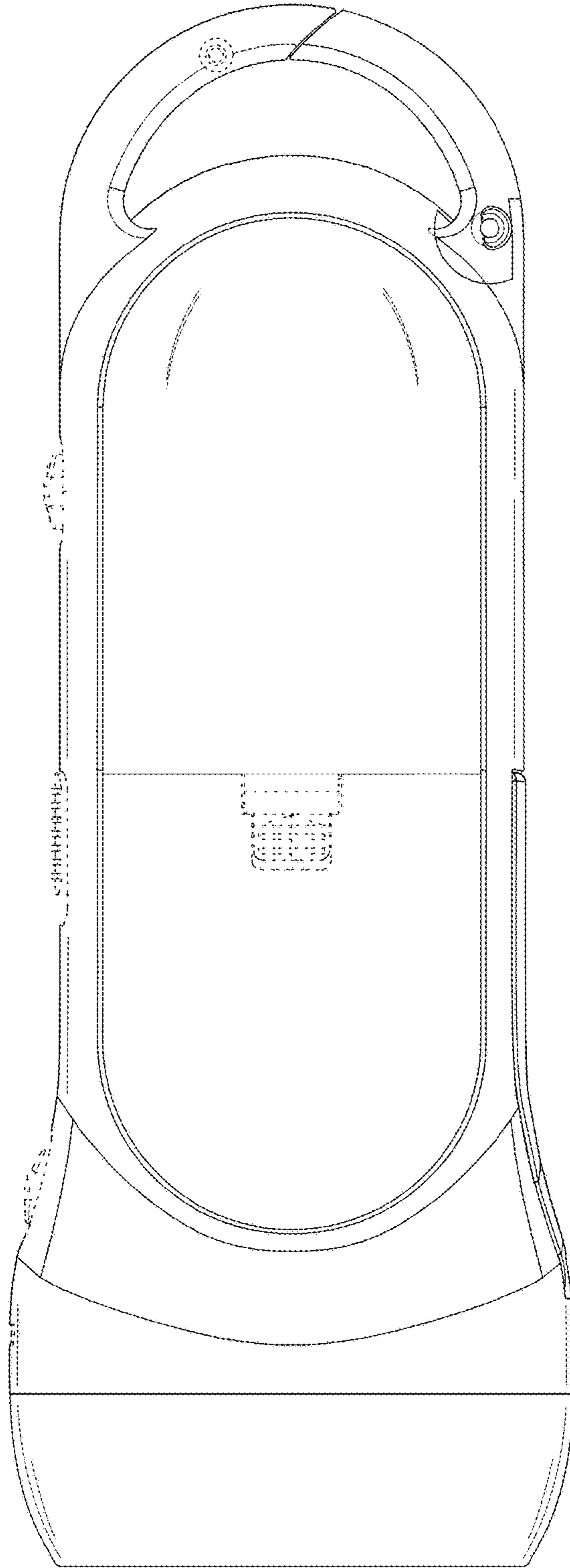


Fig. 5

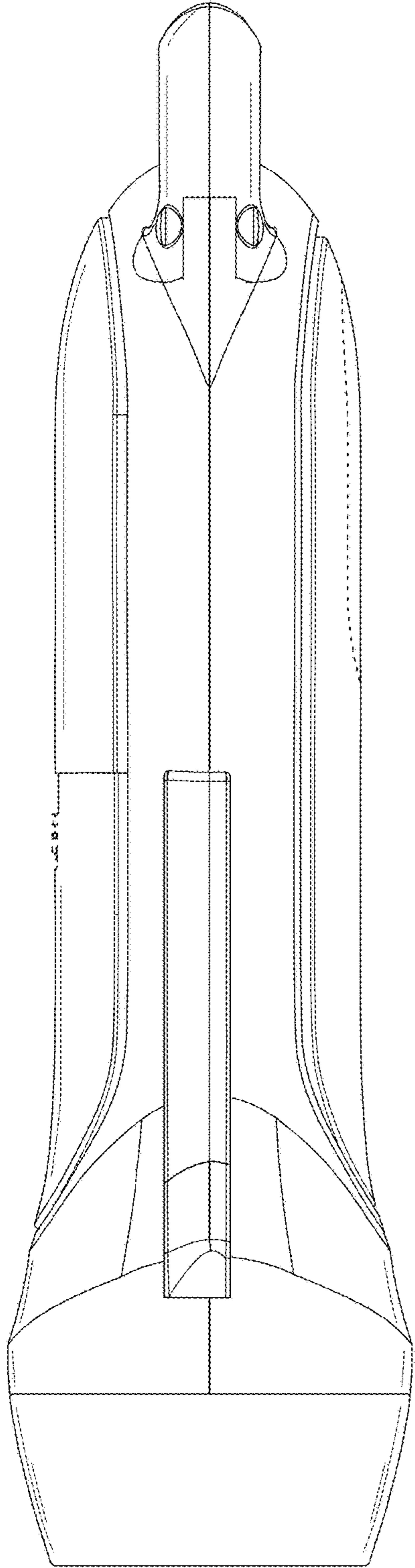


Fig. 6

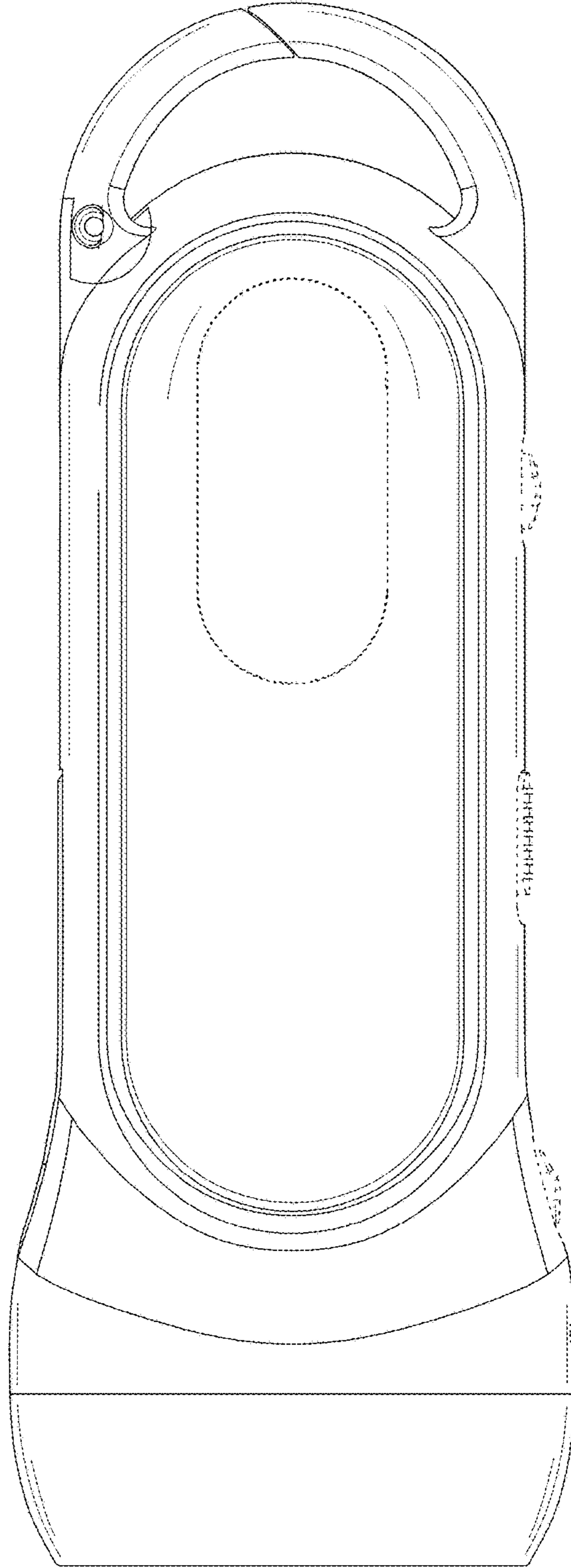


Fig. 7

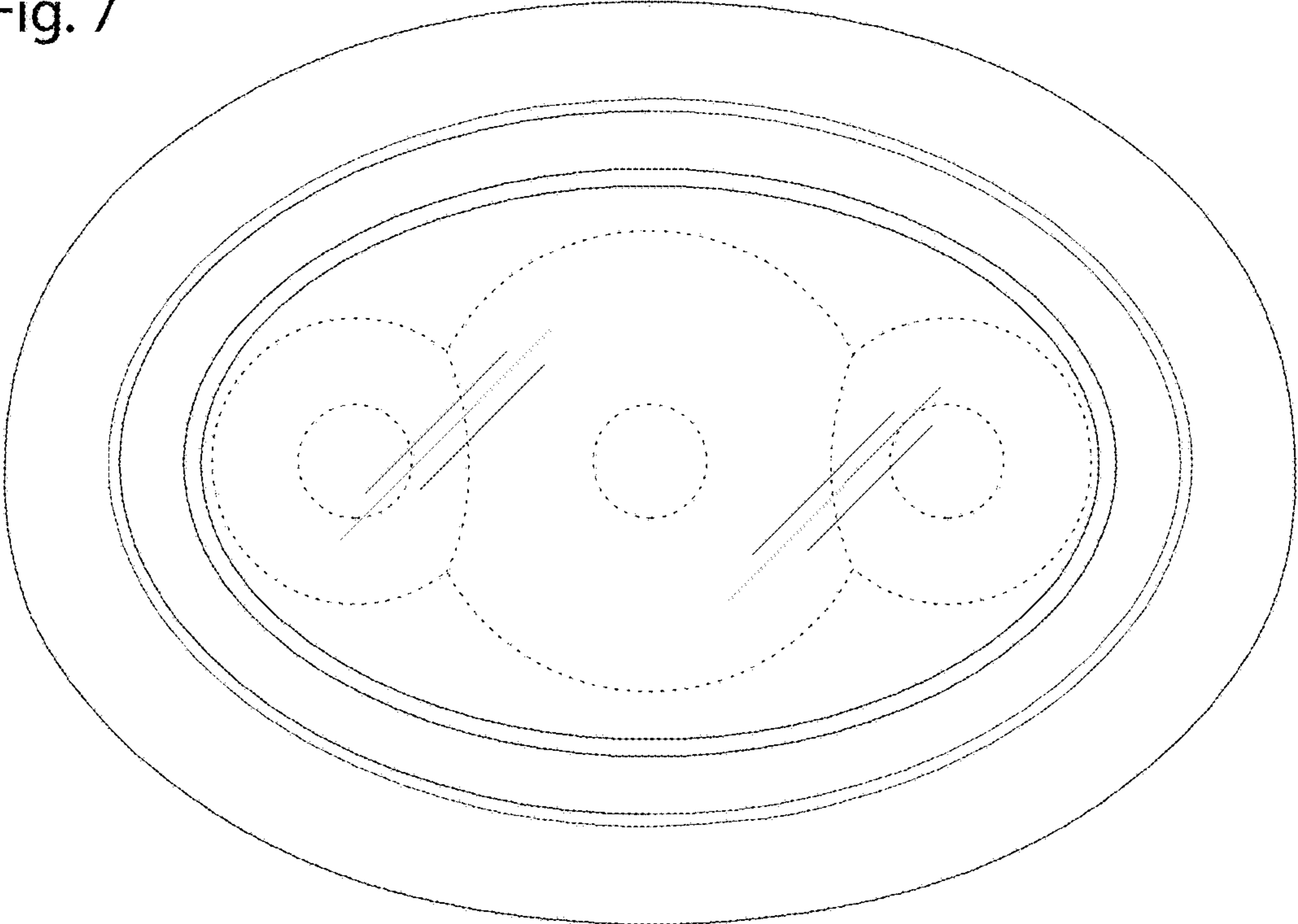


Fig. 8

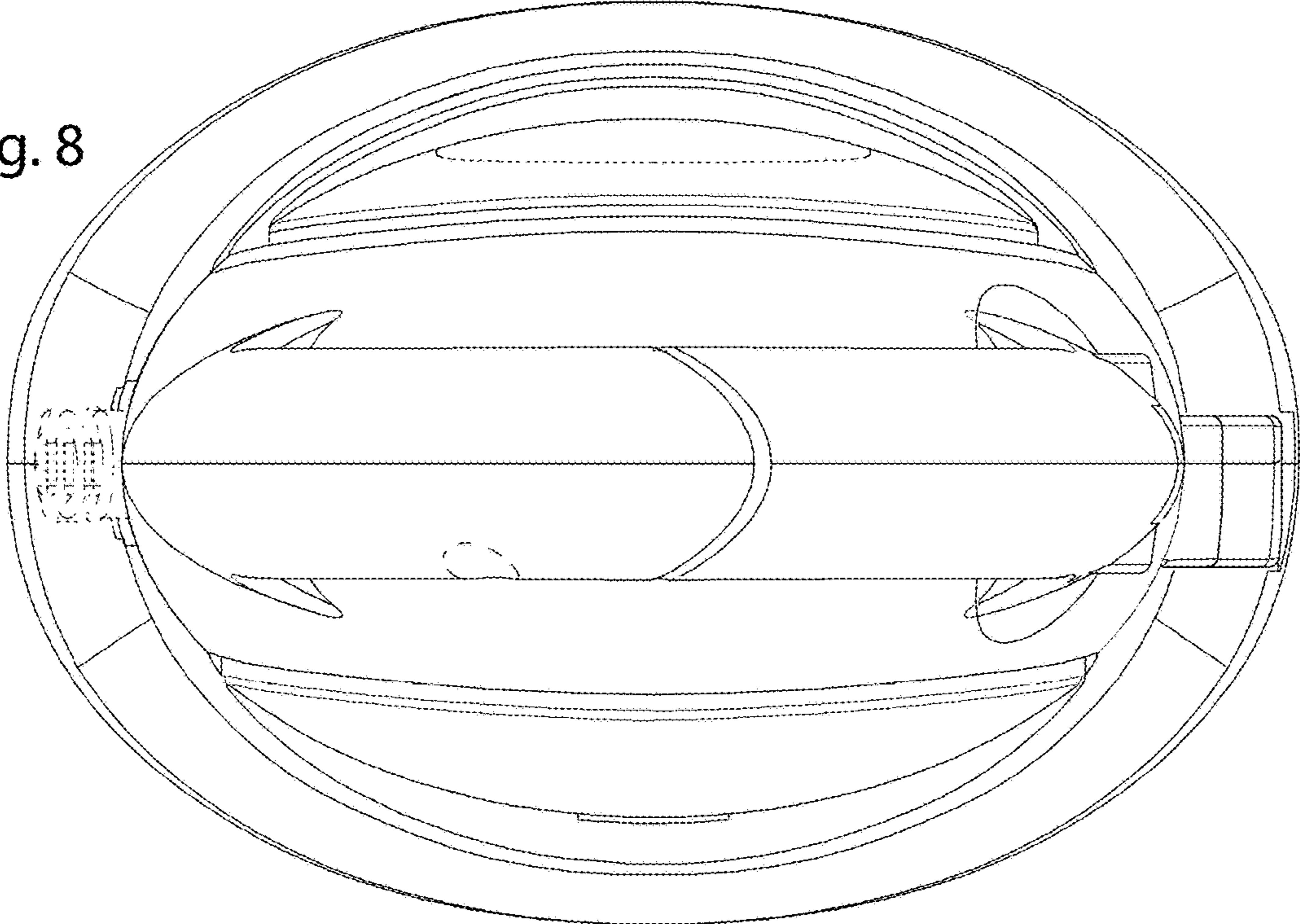


Fig. 9

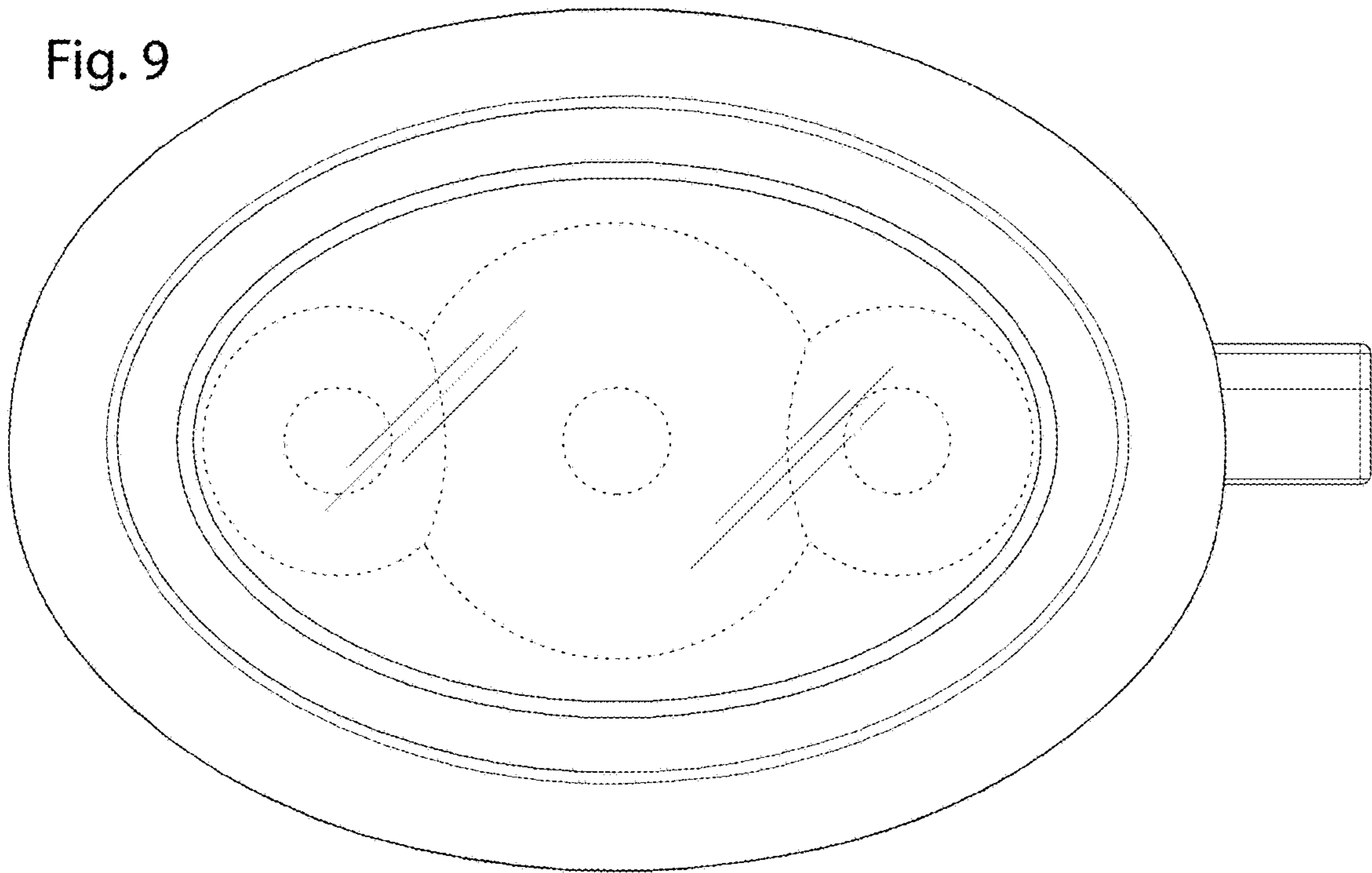


Fig. 10

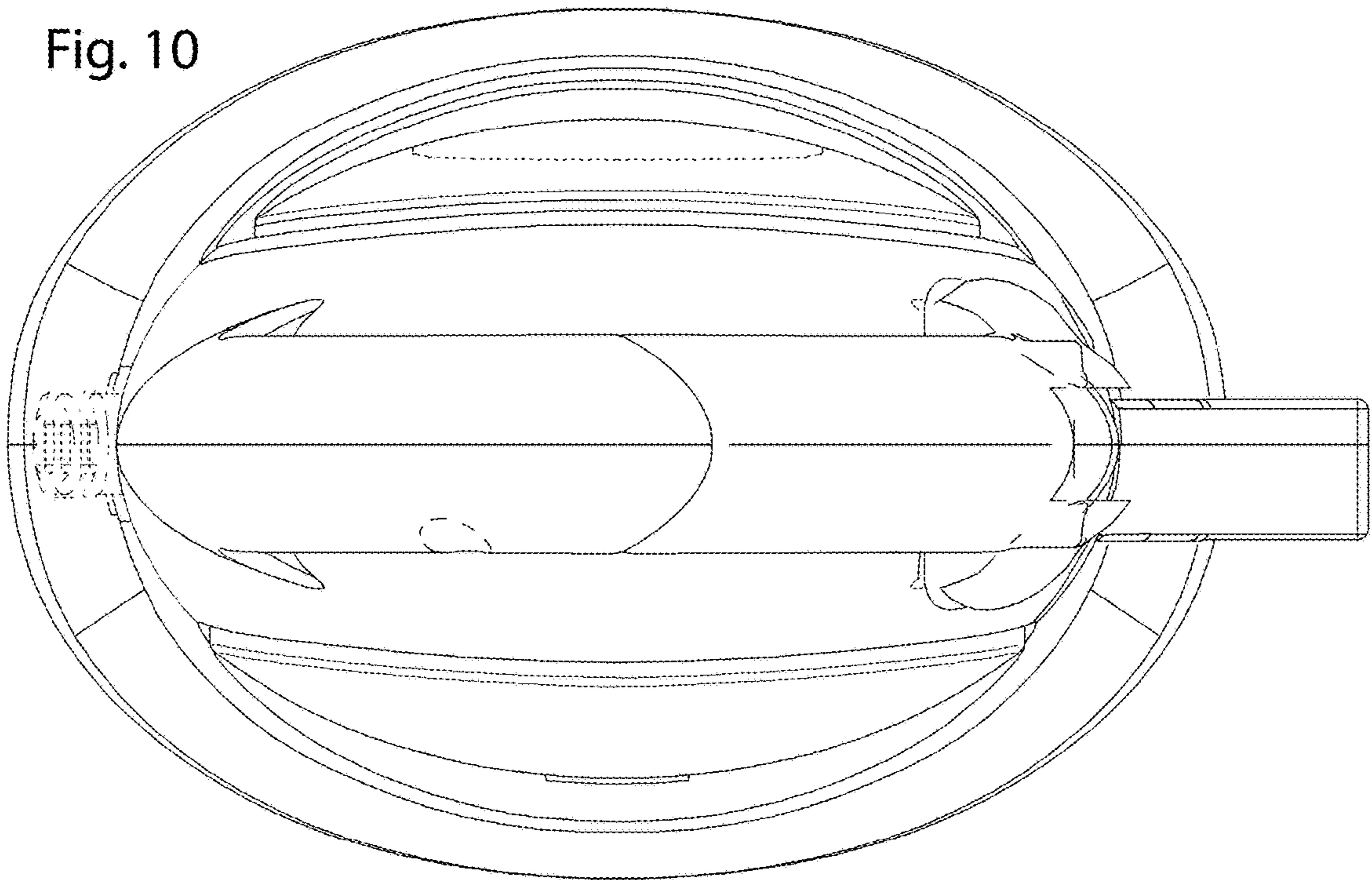


Fig. 11

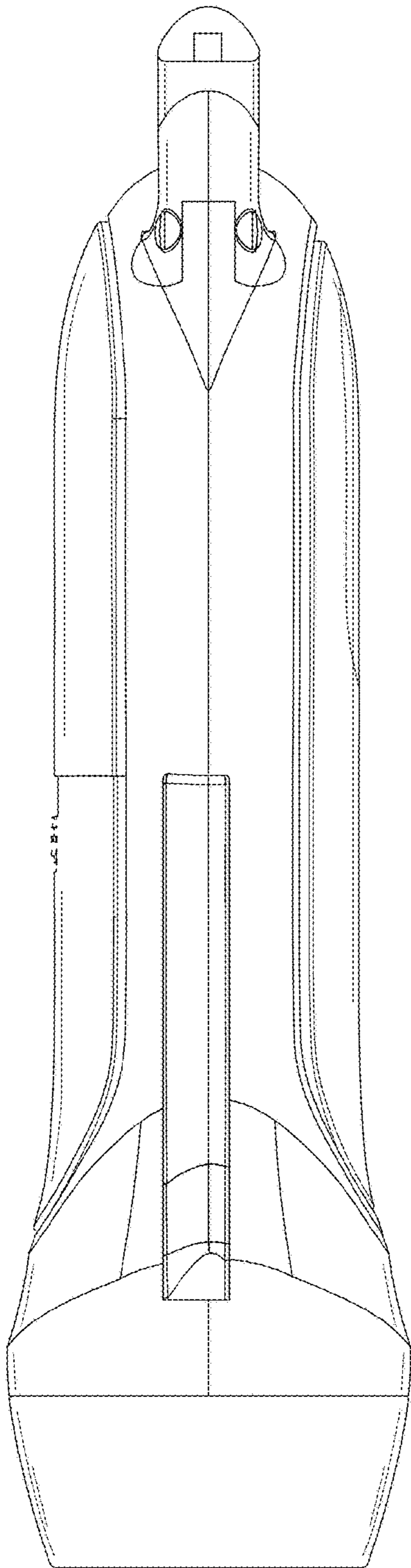


Fig. 12

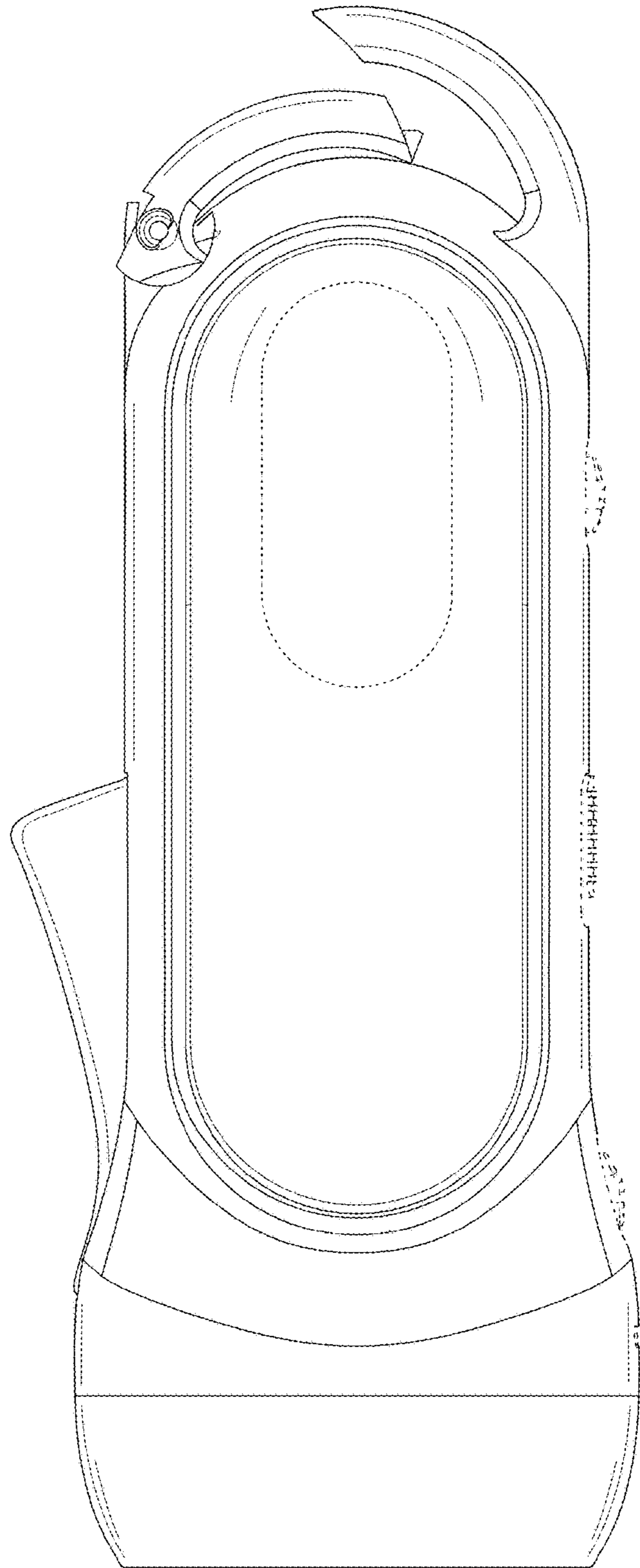


Fig. 13

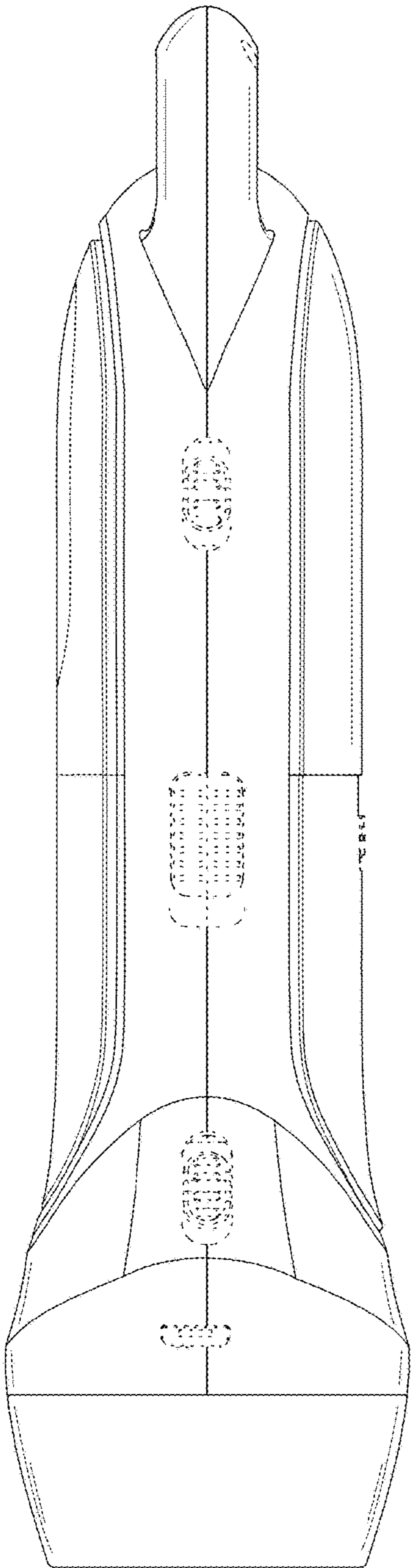


Fig. 14

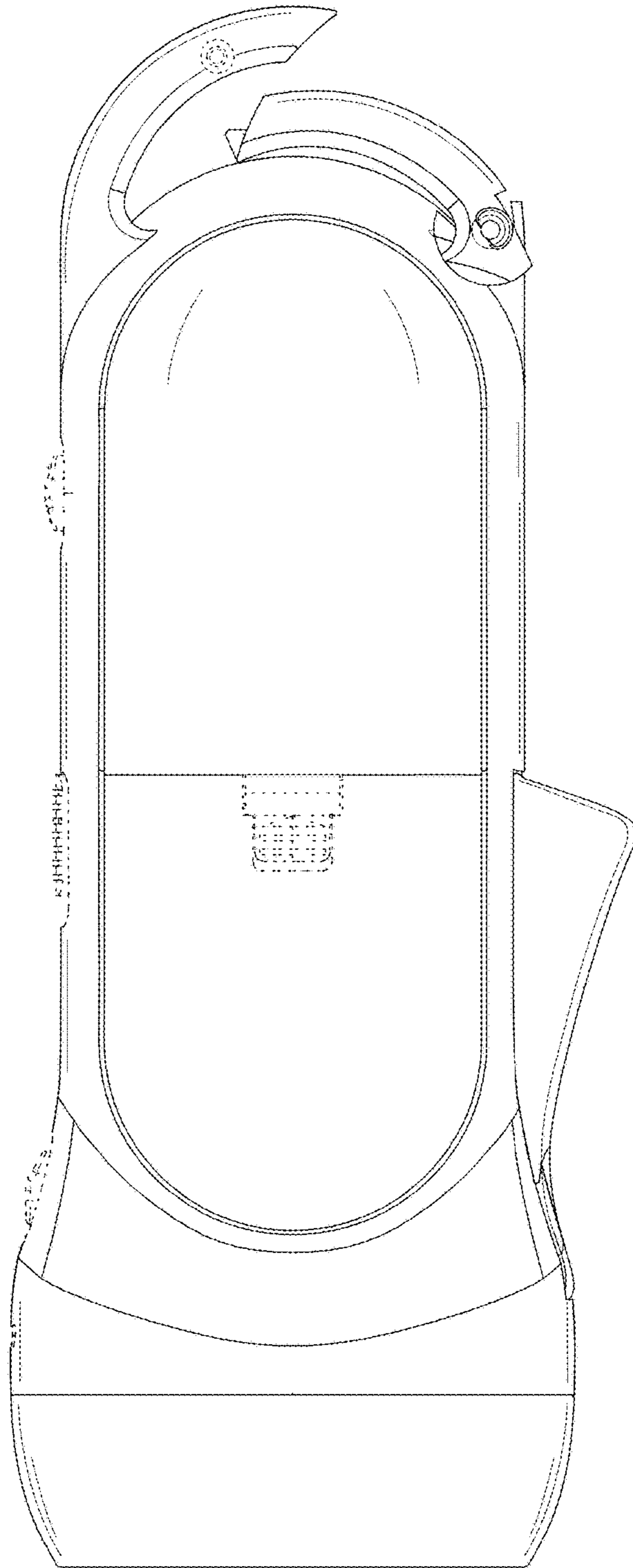


Fig. 15

