



US00D777961S

(12) **United States Design Patent** (10) **Patent No.:** **US D777,961 S**
Wu (45) **Date of Patent:** **** Jan. 31, 2017**

(54) **VEHICLE LIGHT BULB**
(71) Applicant: **COPLUS INC.**, Tainan (TW)
(72) Inventor: **Po-Hua Wu**, Tainan (TW)
(73) Assignee: **Coplus Inc.**, Tainan (TW)
(**) Term: **15 Years**
(21) Appl. No.: **29/547,721**

D592,778 S * 5/2009 Chang D26/28
D606,682 S * 12/2009 Chang D26/28
D662,632 S * 6/2012 Wilson D26/28
D720,483 S * 12/2014 Saddig D26/28

* cited by examiner

Primary Examiner — Marcus Jackson
(74) *Attorney, Agent, or Firm* — Lewis Roca Rothgerber
Christie LLP

(22) Filed: **Dec. 7, 2015**

(30) **Foreign Application Priority Data**

Jun. 9, 2015 (TW) 104303093

(51) **LOC (10) Cl.** **26-06**

(52) **U.S. Cl.**
USPC **D26/28**

(58) **Field of Classification Search**
USPC D26/28-36; 362/80-83, 267-269,
362/459-468, 475-478, 485-487
CPC F21S 48/00; F21S 48/10; F21S 48/115;
F21S 48/225; F21S 48/1233; F21S
48/1266; F21S 48/1388; F21S 48/2268;
F21V 21/04
See application file for complete search history.

(56) **References Cited**

U.S. PATENT DOCUMENTS

D547,889 S * 7/2007 Huang D26/28
D570,012 S * 5/2008 Huang D26/28

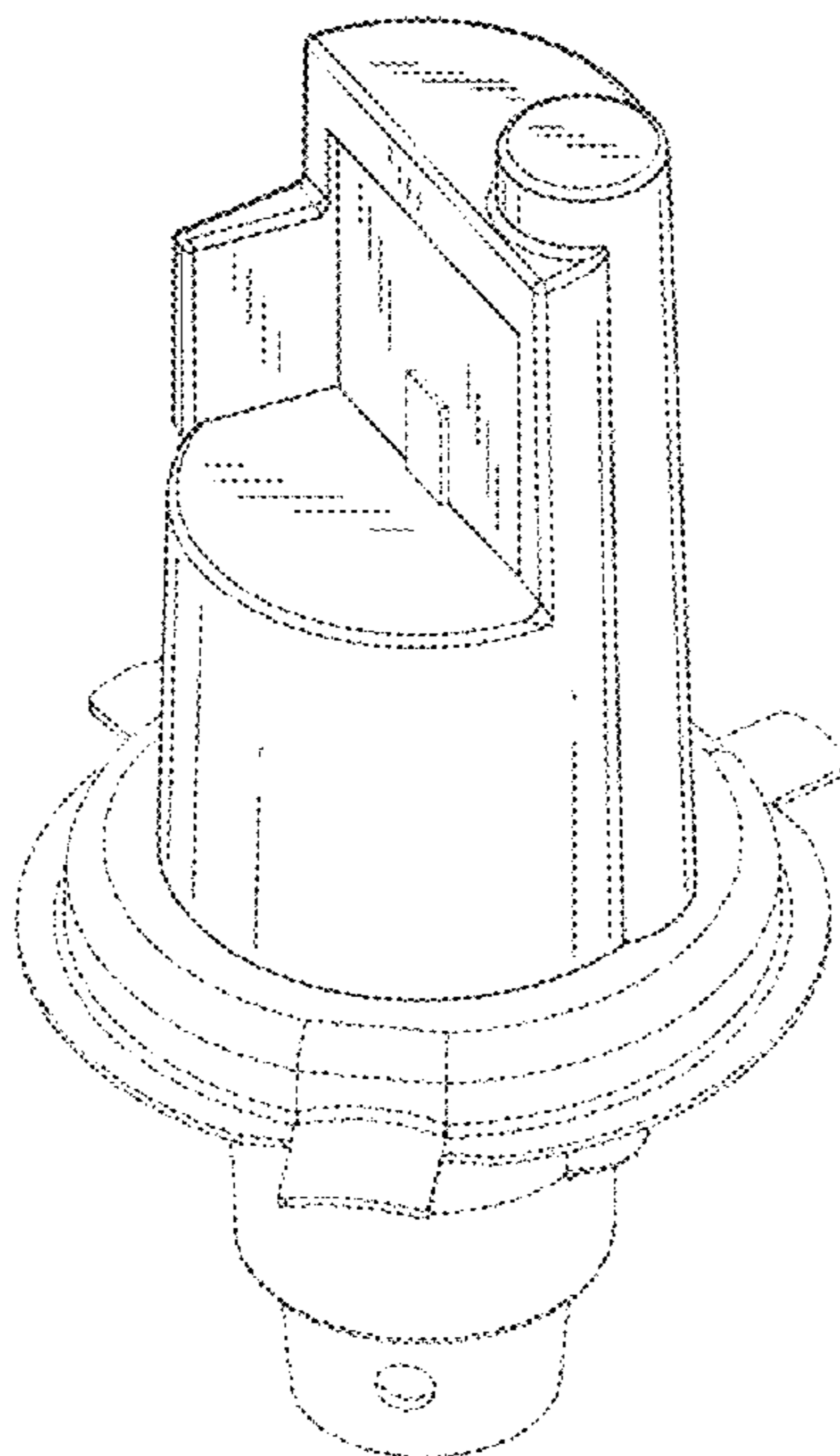
(57) **CLAIM**

The ornamental design for a vehicle light bulb, as shown and described.

DESCRIPTION

FIG. 1 is a representative perspective view of the vehicle light bulb;
FIG. 2 is another perspective view thereof;
FIG. 3 is a front side view thereof;
FIG. 4 is a rear side view thereof;
FIG. 5 is a left side view thereof;
FIG. 6 is a right side view thereof;
FIG. 7 is a top side view thereof; and,
FIG. 8 is a bottom side view thereof.
The broken lines in the drawings are for illustrative purpose only and form no part of the claimed design.

1 Claim, 7 Drawing Sheets



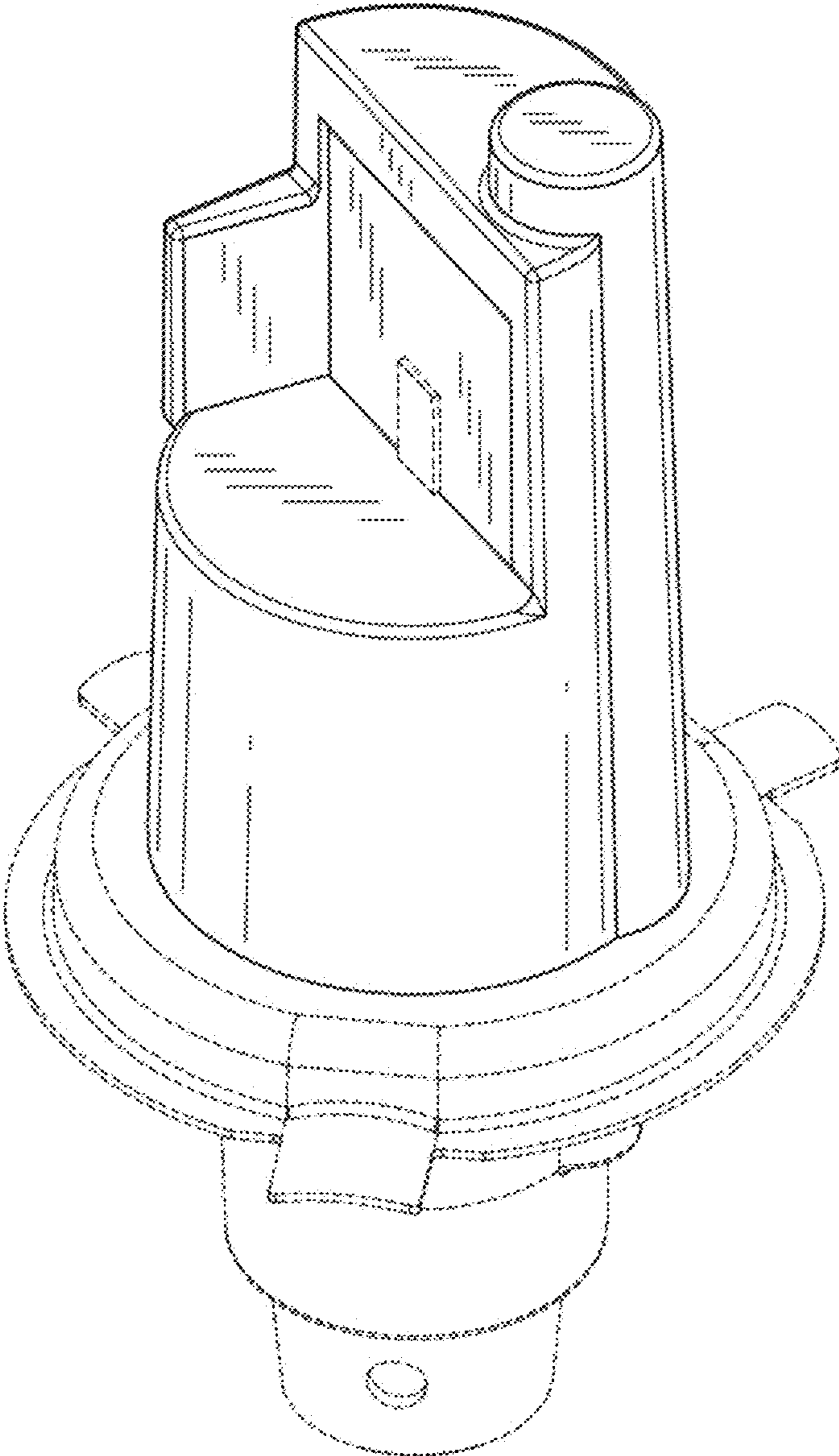


FIG. 1

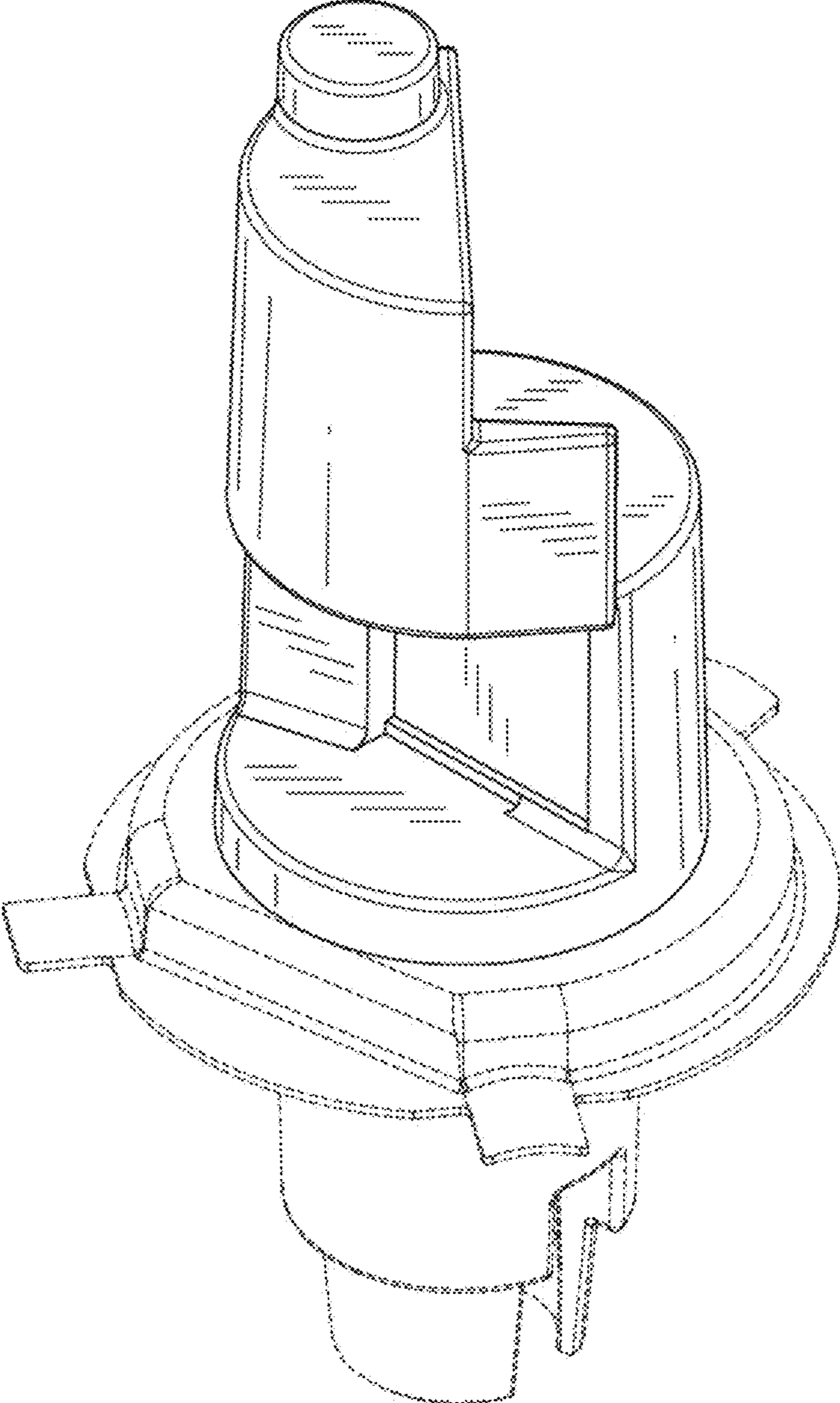


FIG. 2

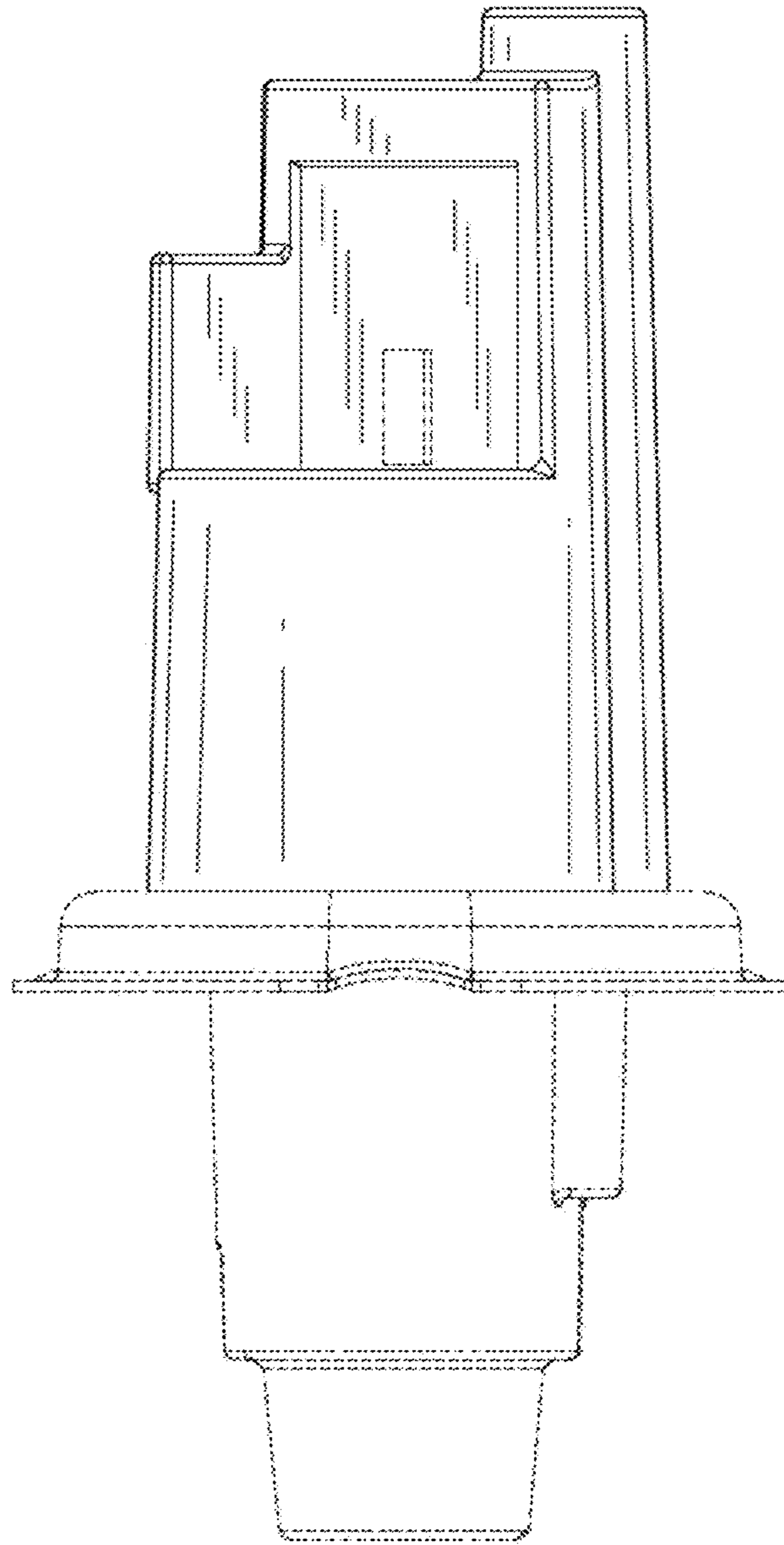


FIG. 3

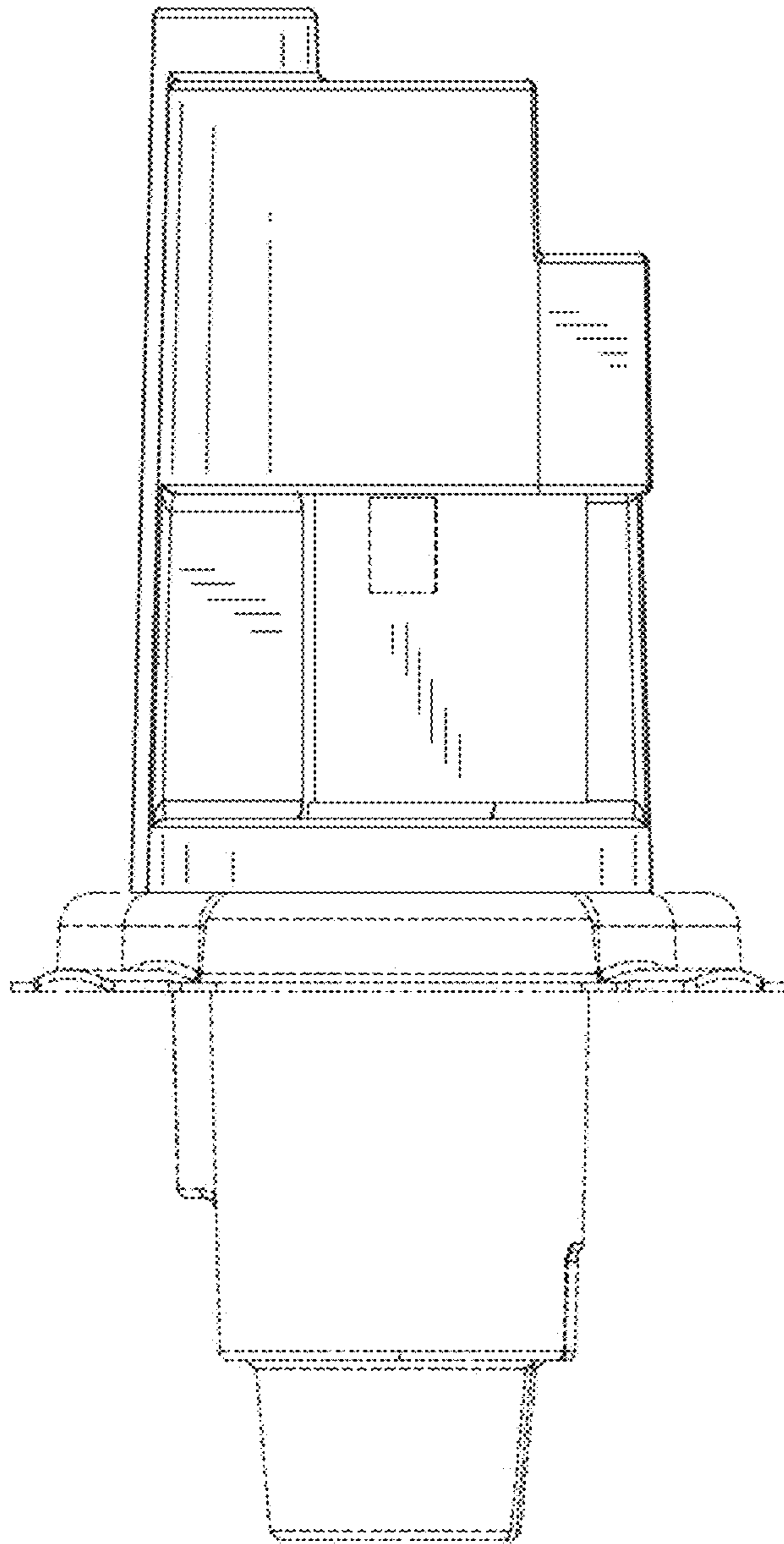


FIG. 4

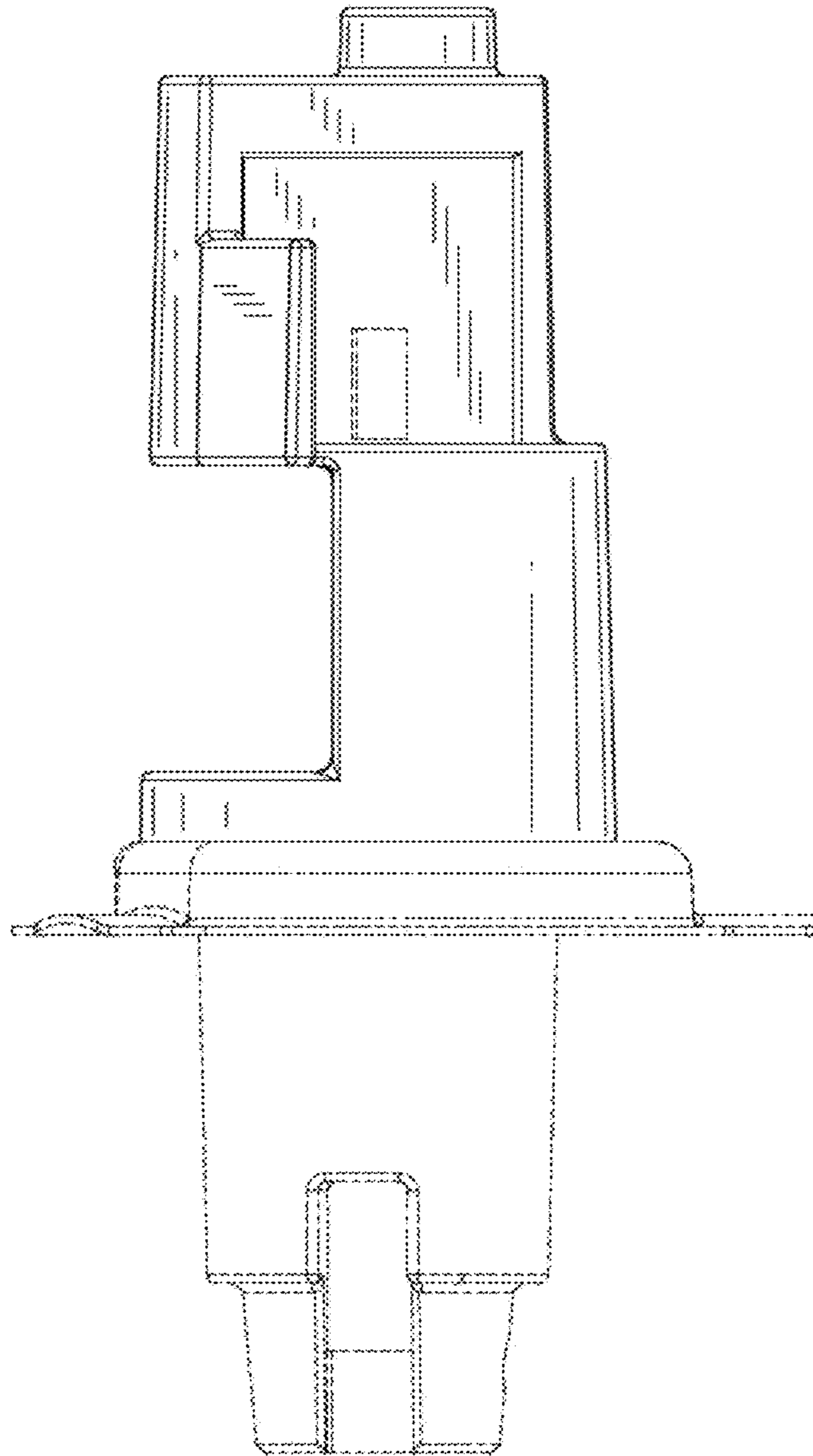


FIG. 5

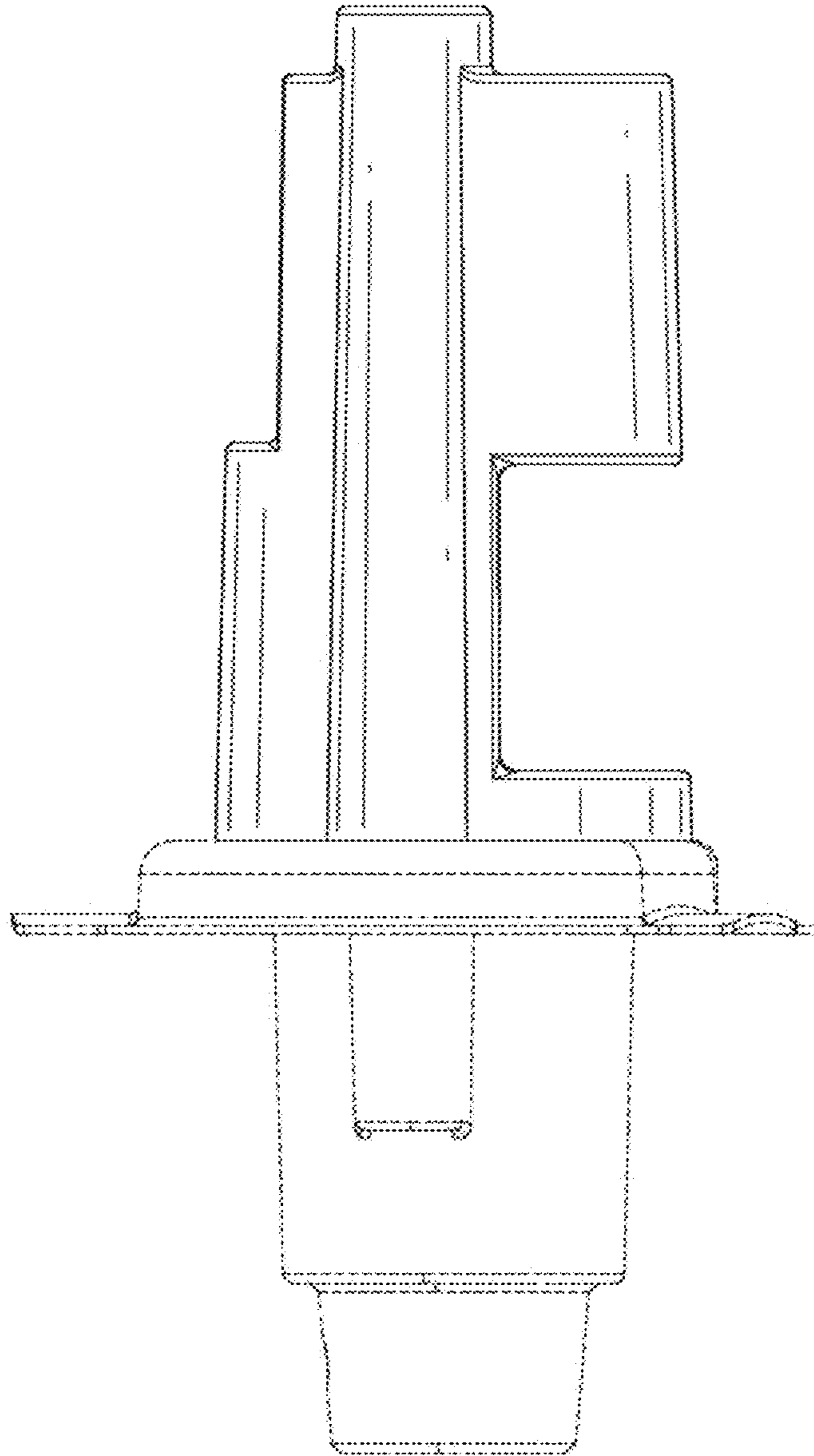


FIG. 6

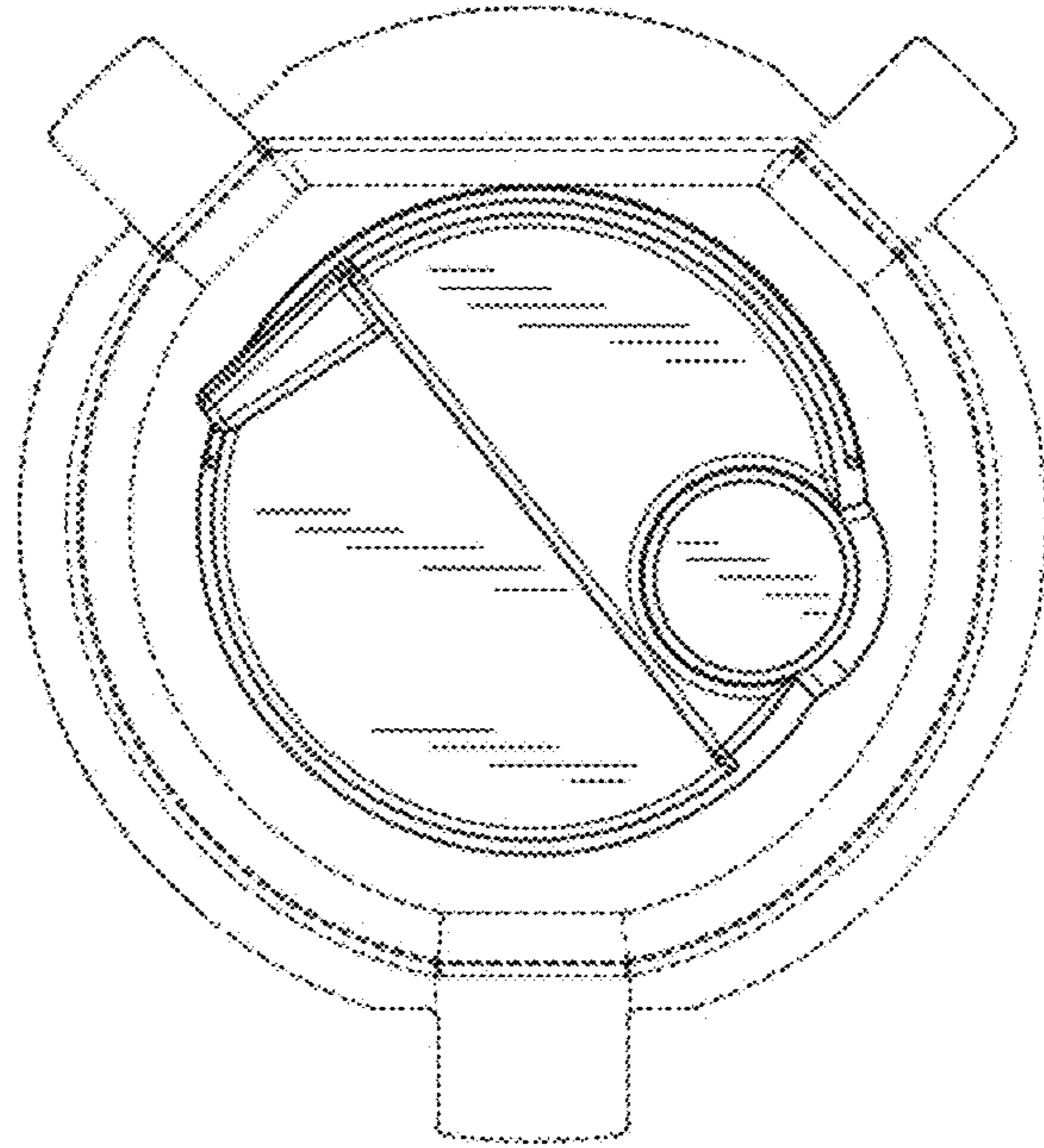


FIG. 7

FIG. 8

