



US00D777959S

(12) **United States Design Patent** (10) **Patent No.:** **US D777,959 S**  
**Wu** (45) **Date of Patent:** **\*\* Jan. 31, 2017**

(54) **PORTION A VEHICLE TAILLIGHT**

D716,980 S \* 11/2014 Sperling ..... D26/28  
D749,246 S \* 2/2016 Thole ..... D26/28  
D749,757 S \* 2/2016 Han ..... D26/28

(71) Applicant: **COPLUS INC.**, Tainan (TW)

\* cited by examiner

(72) Inventor: **Po-Hua Wu**, Tainan (TW)

*Primary Examiner* — Marcus Jackson

(73) Assignee: **Coplus Inc.**, Tainan (TW)

(74) *Attorney, Agent, or Firm* — Lewis Roca Rothgerber  
Christie LLP

(\*\*) Term: **15 Years**

(21) Appl. No.: **29/546,027**

(22) Filed: **Nov. 18, 2015**

(57) **CLAIM**

(30) **Foreign Application Priority Data**

The ornamental design for a portion of a vehicle taillight, as shown and described.

Jun. 24, 2015 (TW) ..... 104303388

(51) **LOC (10) Cl.** ..... **26-06**

(52) **U.S. Cl.**  
USPC ..... **D26/28**

**DESCRIPTION**

(58) **Field of Classification Search**  
USPC ..... D26/28–36; 362/80–83, 267–269,  
362/459–468, 475–478, 485–487  
CPC ..... F21S 48/00; F21S 48/10; F21S 48/115;  
F21S 48/225; F21S 48/1233; F21S  
48/1266; F21S 48/1388; F21S 48/2268;  
F21V 21/04

FIG. 1 is a perspective view of the portion of a vehicle taillight;  
FIG. 2 is a front view thereof;  
FIG. 3 is a rear view thereof;  
FIG. 4 is a left side view thereof;  
FIG. 5 is a right side view thereof;  
FIG. 6 is a top side view thereof; and,  
FIG. 7 is a bottom side view thereof.

See application file for complete search history.

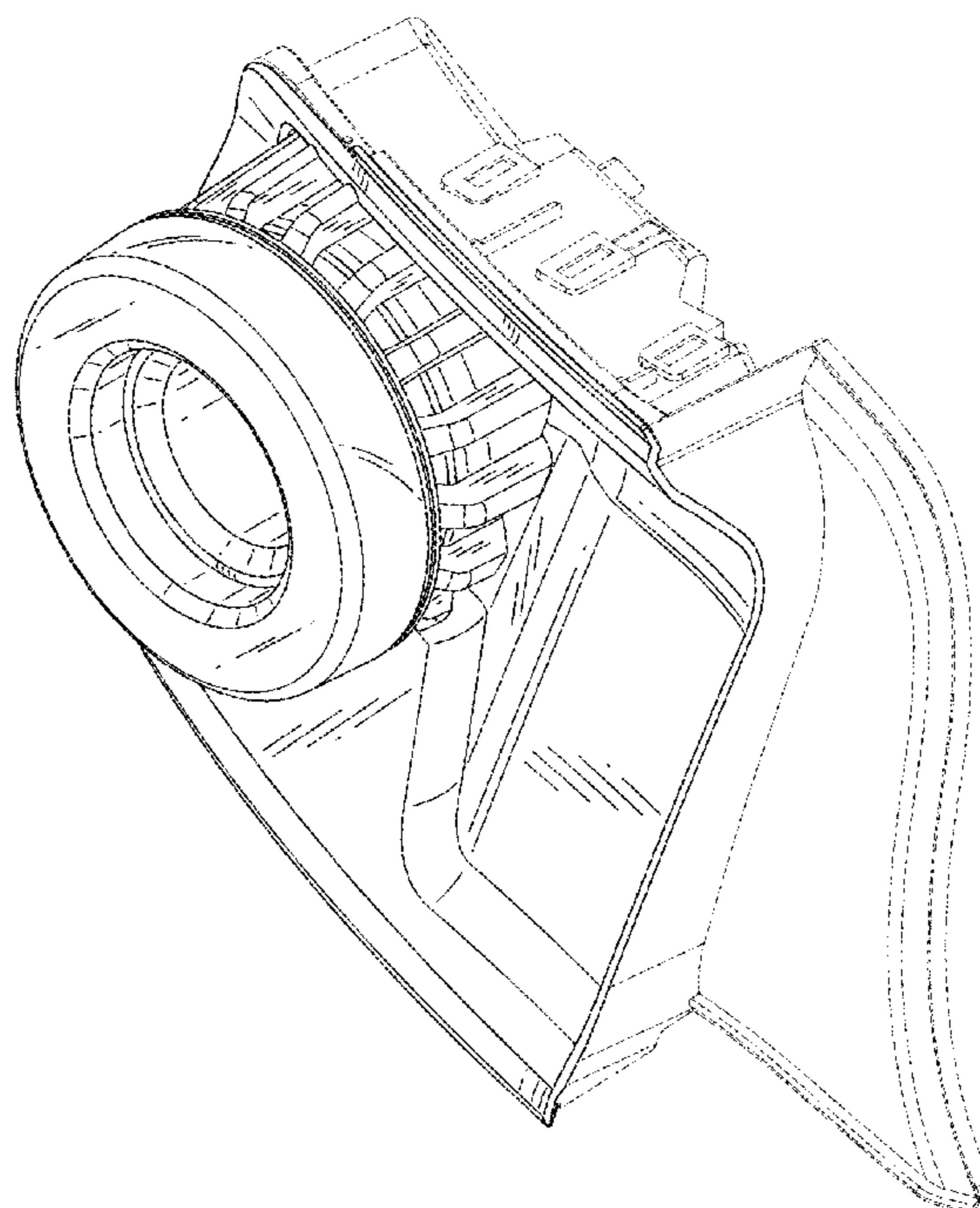
The broken lines in the drawings are for illustrative purpose only and form no part of the claimed design.

(56) **References Cited**

U.S. PATENT DOCUMENTS

D584,839 S \* 1/2009 Choi ..... D26/28  
D659,269 S \* 5/2012 Lee ..... D26/28  
D705,963 S \* 5/2014 Sa ..... D26/28

**1 Claim, 7 Drawing Sheets**



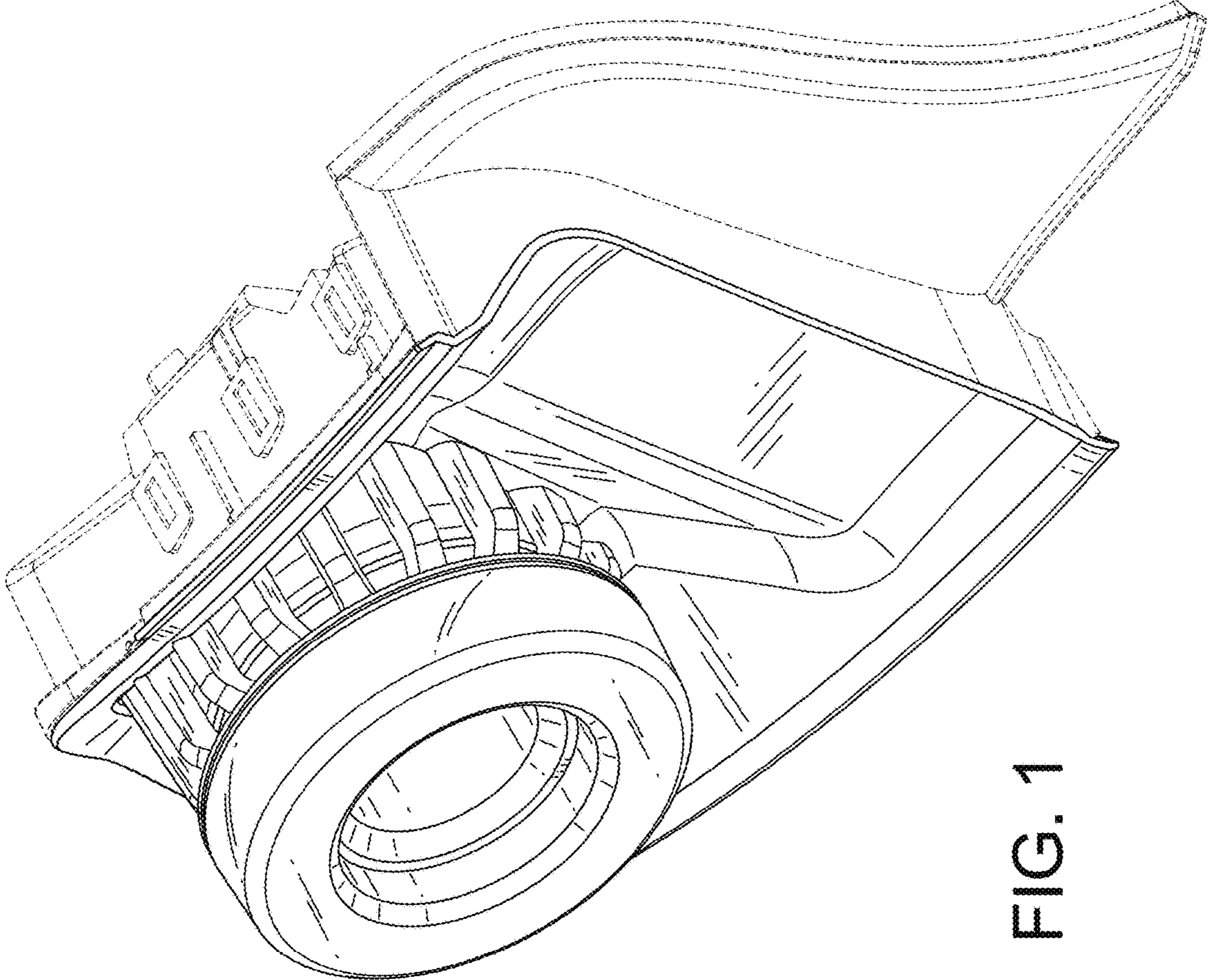


FIG. 1

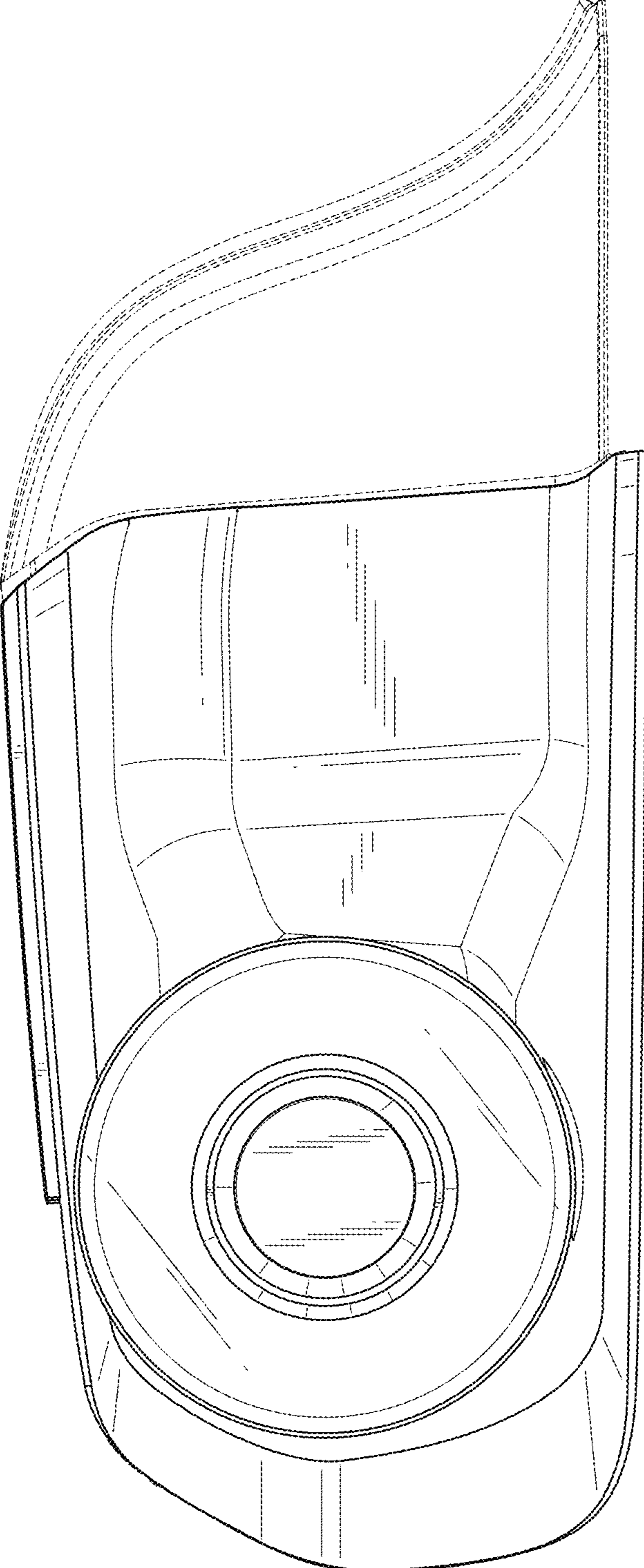


FIG. 2



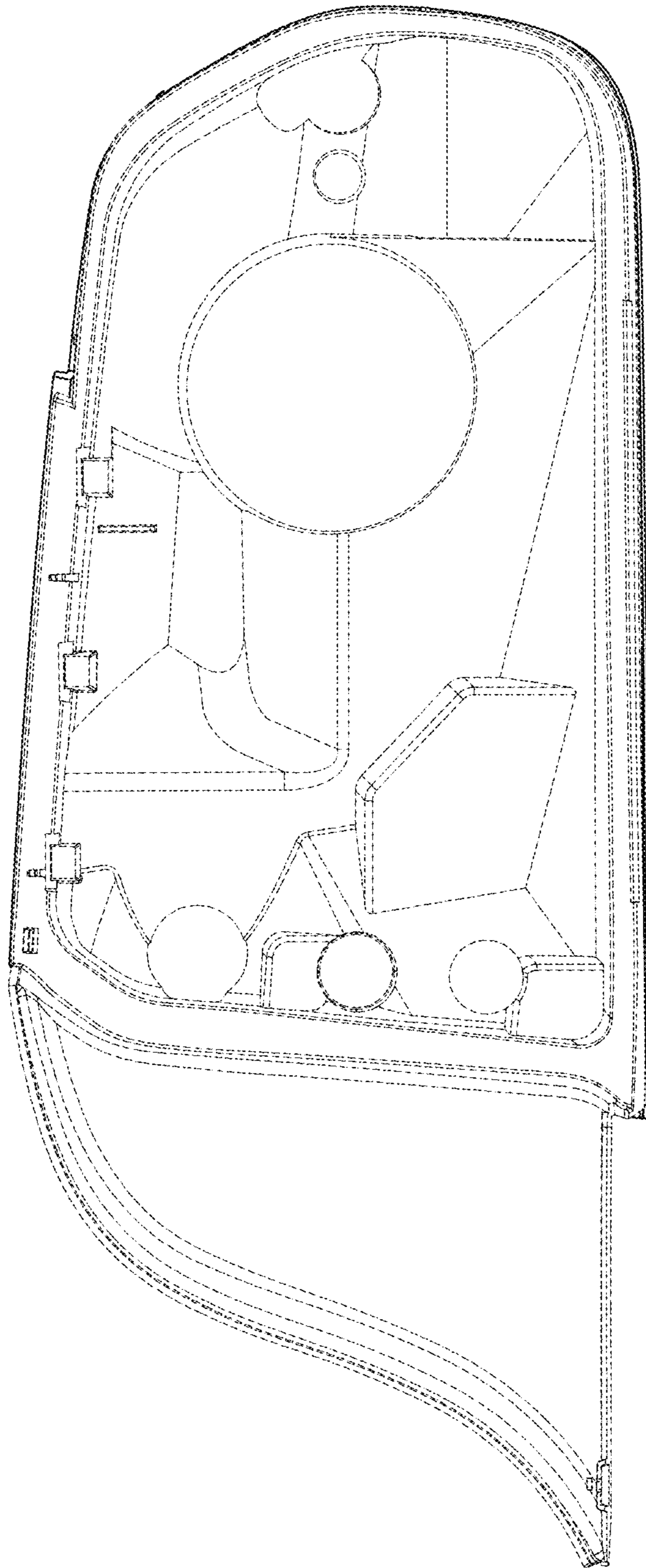


FIG. 3

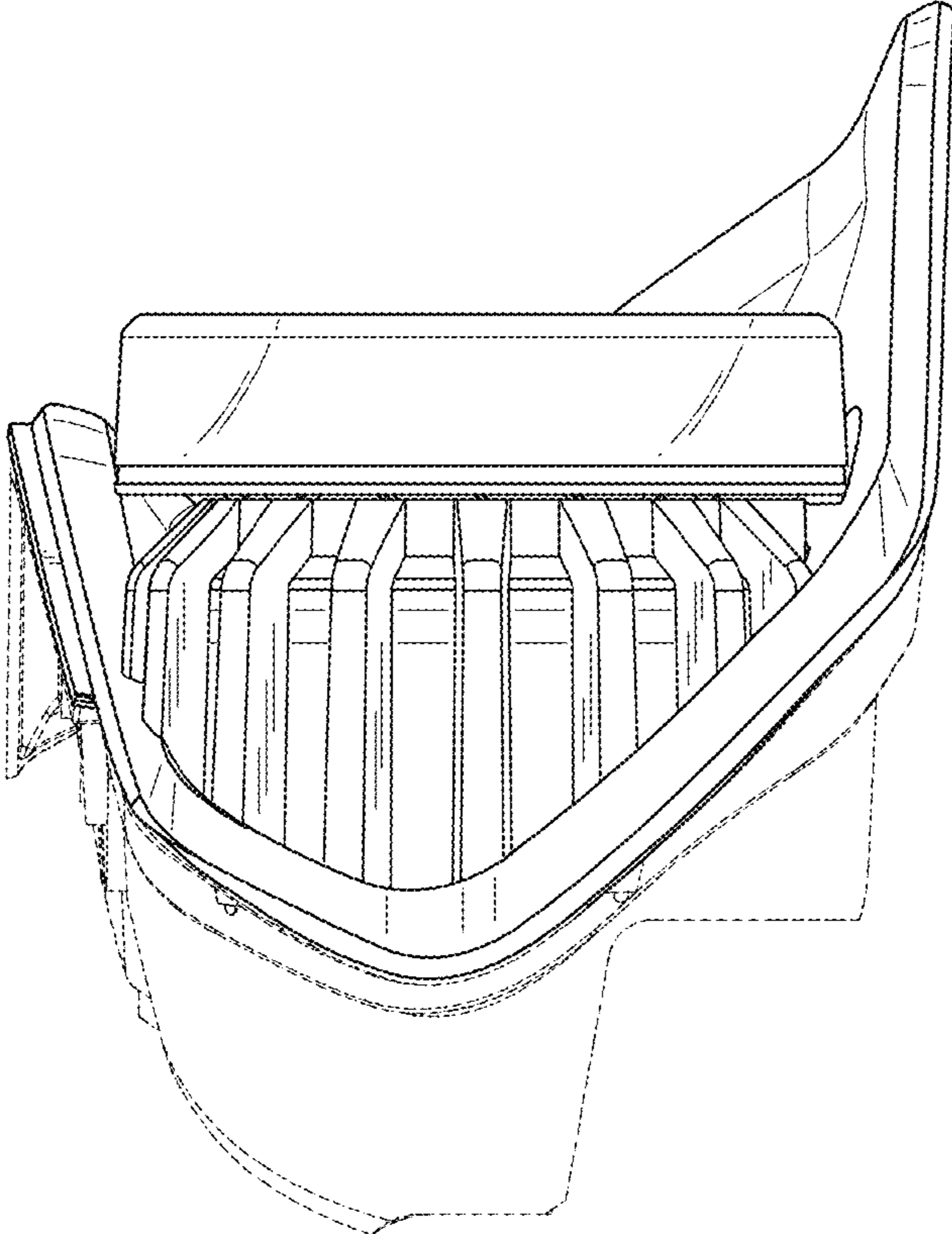


FIG. 4

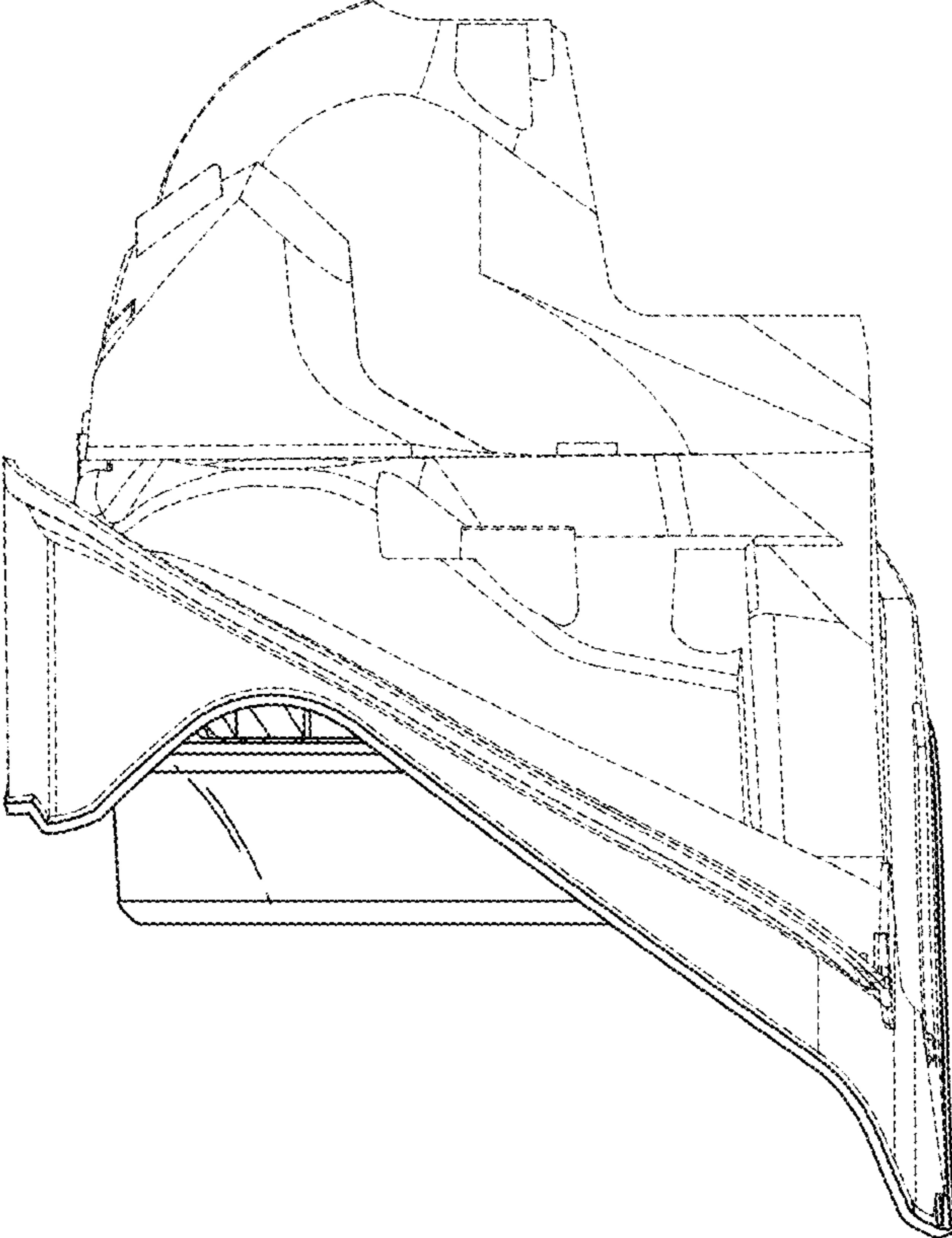


FIG. 5

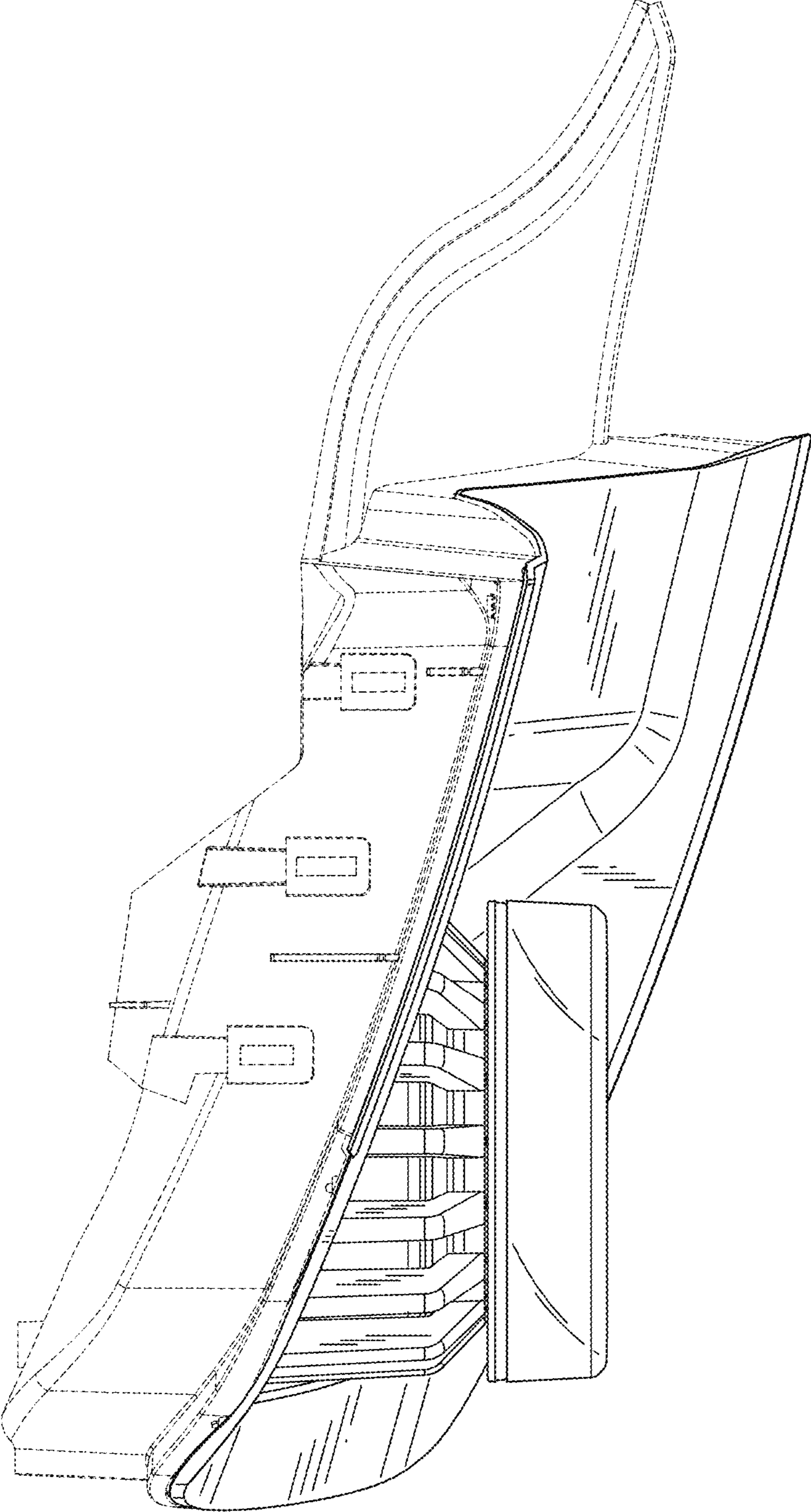


FIG. 6

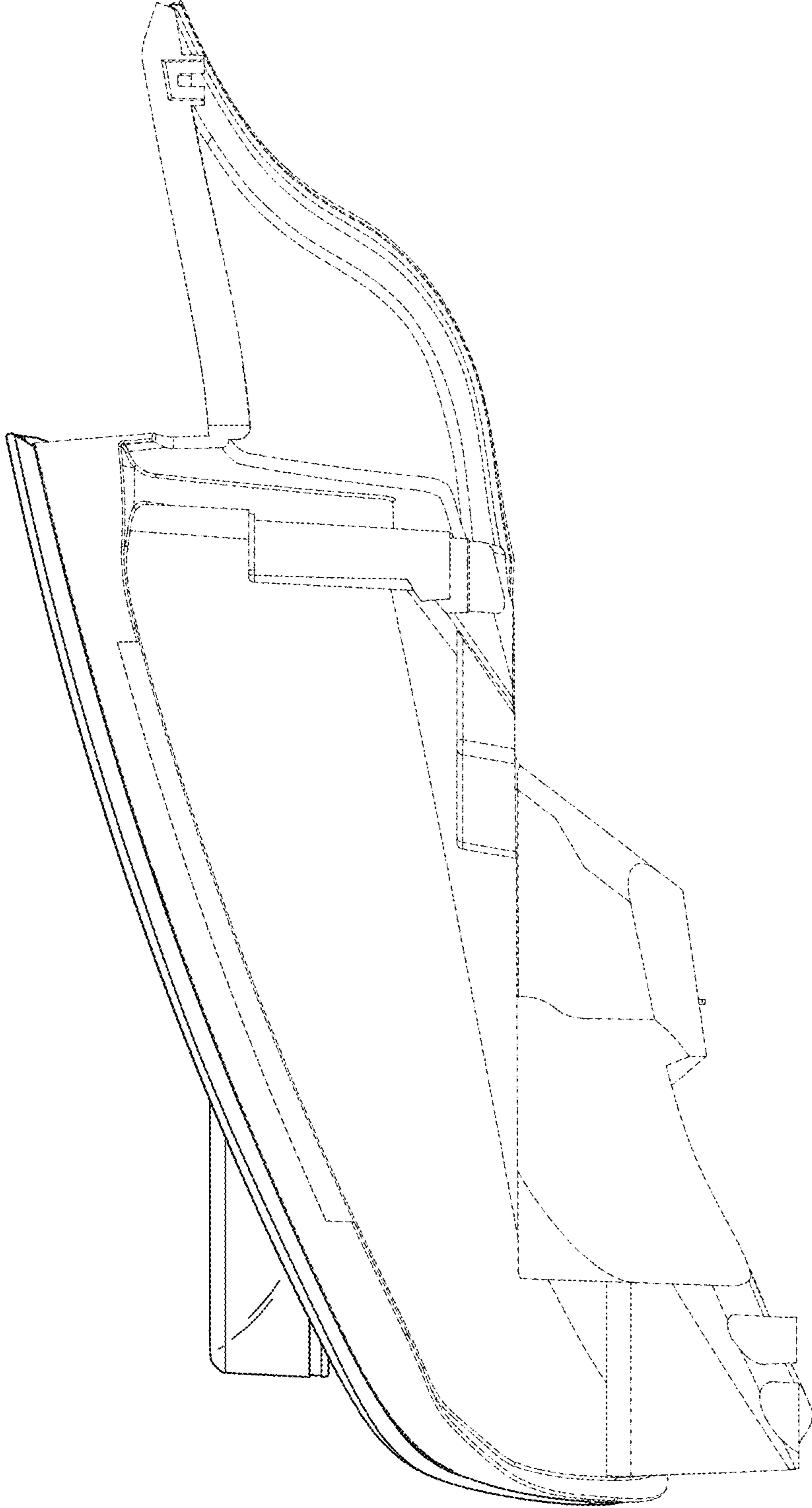


FIG. 7