



US00D777956S

(12) **United States Design Patent** (10) **Patent No.:** **US D777,956 S**  
**Schell et al.** (45) **Date of Patent:** **\*\* Jan. 31, 2017**

(54) **HEADLIGHT ASSEMBLY**

(71) Applicant: **Honda Motor Co., Ltd.**, Tokyo (JP)  
(72) Inventors: **Damon Schell**, Long Beach, CA (US);  
**Takashi Hamada**, Rancho Palos Verdes, CA (US)  
(73) Assignee: **HONDA MOTOR CO., LTD.**, Tokyo (JP)

(\*\*) Term: **15 Years**

(21) Appl. No.: **29/543,712**

(22) Filed: **Oct. 27, 2015**

(51) **LOC (10) Cl.** ..... **26-06**

(52) **U.S. Cl.**  
USPC ..... **D26/28**

(58) **Field of Classification Search**  
USPC ..... D26/28-36; 362/80-83, 267-269,  
362/459-468, 475-478, 485-487  
(Continued)

(56) **References Cited**

**U.S. PATENT DOCUMENTS**

D572,392 S \* 7/2008 Gale ..... D26/28  
D606,214 S \* 12/2009 Lamm ..... D26/28  
(Continued)

*Primary Examiner* — Marcus Jackson

(74) *Attorney, Agent, or Firm* — Arent Fox LLP

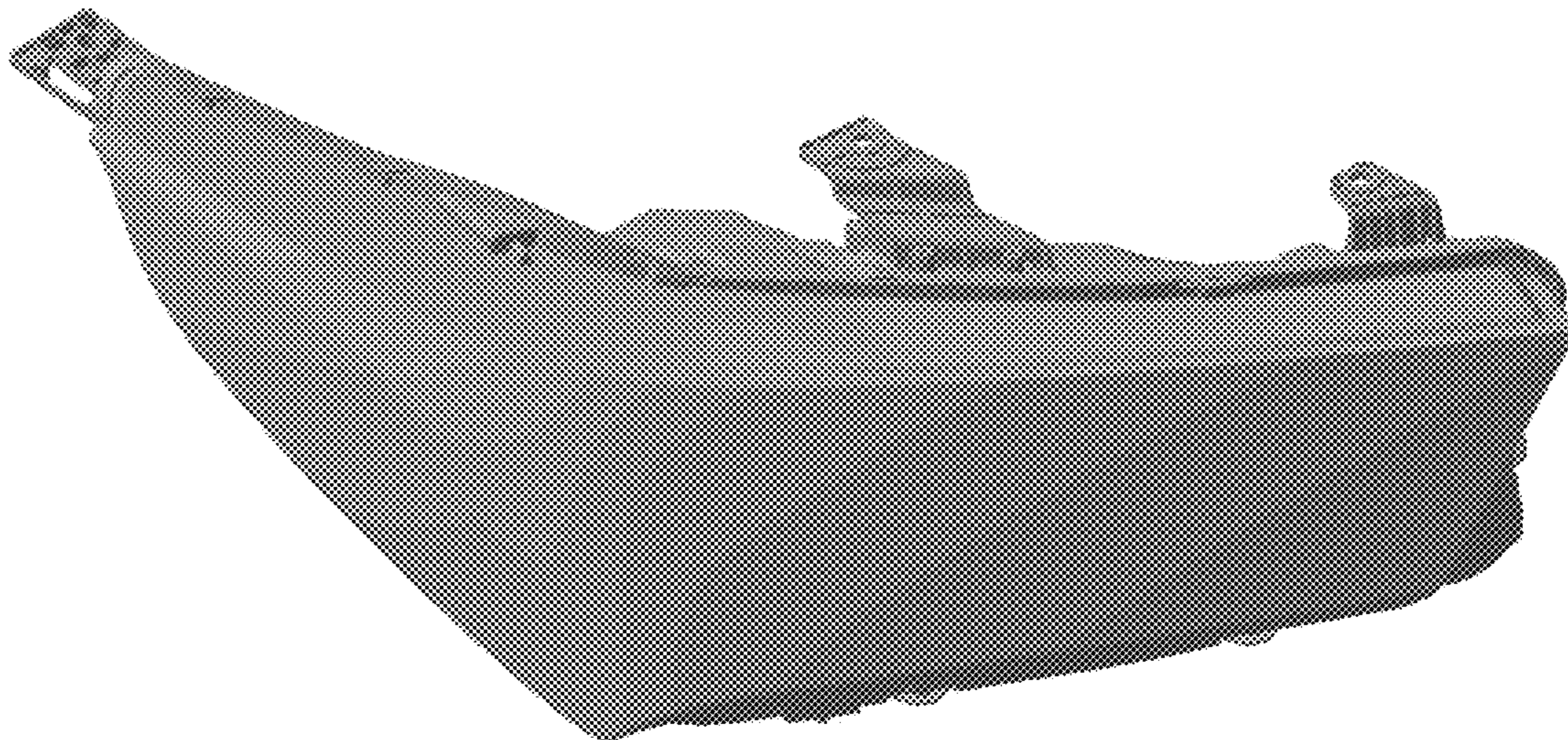
(57) **CLAIM**

The ornamental design for a headlight assembly, as shown and described.

**DESCRIPTION**

FIG. 1 is a front perspective view of a first embodiment of a headlight assembly showing our new design;  
FIG. 2 is a top right perspective view of the design shown in FIG. 1;  
FIG. 3 is a rear left perspective view of the design shown in FIG. 1;  
FIG. 4 is a top left perspective view of the design shown in FIG. 1;  
FIG. 5 is a front view of the design shown in FIG. 1;  
FIG. 6 is a rear view of the design shown in FIG. 1;  
FIG. 7 is a left side view of the design shown in FIG. 1;  
FIG. 8 is a right side view of the design shown in FIG. 1;  
FIG. 9 is a top view of the design shown in FIG. 1;  
FIG. 10 is a bottom view of the design shown in FIG. 1;  
FIG. 11 is a front perspective view of a second embodiment of a headlight assembly showing my new embodiment, wherein the only difference resides in the omission of the lens;  
FIG. 12 is a top right perspective view of the design shown in FIG. 11;  
FIG. 13 is a rear left perspective view of the design shown in FIG. 11;  
FIG. 14 is a top left perspective view of the design shown in FIG. 11;  
FIG. 15 is a front view of the design shown in FIG. 11;  
FIG. 16 is a rear view of the design shown in FIG. 11;  
FIG. 17 is a left side view of the design shown in FIG. 11;  
FIG. 18 is a right side view of the design shown in FIG. 11;  
FIG. 19 is a top view of the design shown in FIG. 11; and  
FIG. 20 is a bottom view of the design shown in FIG. 11.

**1 Claim, 20 Drawing Sheets**



(58) **Field of Classification Search**

CPC ..... F21S 48/00; F21S 48/10; F21S 48/115;  
F21S 48/225; F21S 48/1233; F21S  
48/1266; F21S 48/1388; F21S 48/2268;  
F21V 21/04

See application file for complete search history.

(56) **References Cited**

U.S. PATENT DOCUMENTS

D692,598 S	*	10/2013	Davis .....	D26/28
D695,935 S	*	12/2013	Ueda .....	D26/28
D703,848 S	*	4/2014	Mays .....	D26/28
D712,575 S	*	9/2014	Gotschke .....	D26/28
D714,475 S	*	9/2014	Osborne .....	D26/28
D722,711 S	*	2/2015	Gotschke .....	D26/28

\* cited by examiner

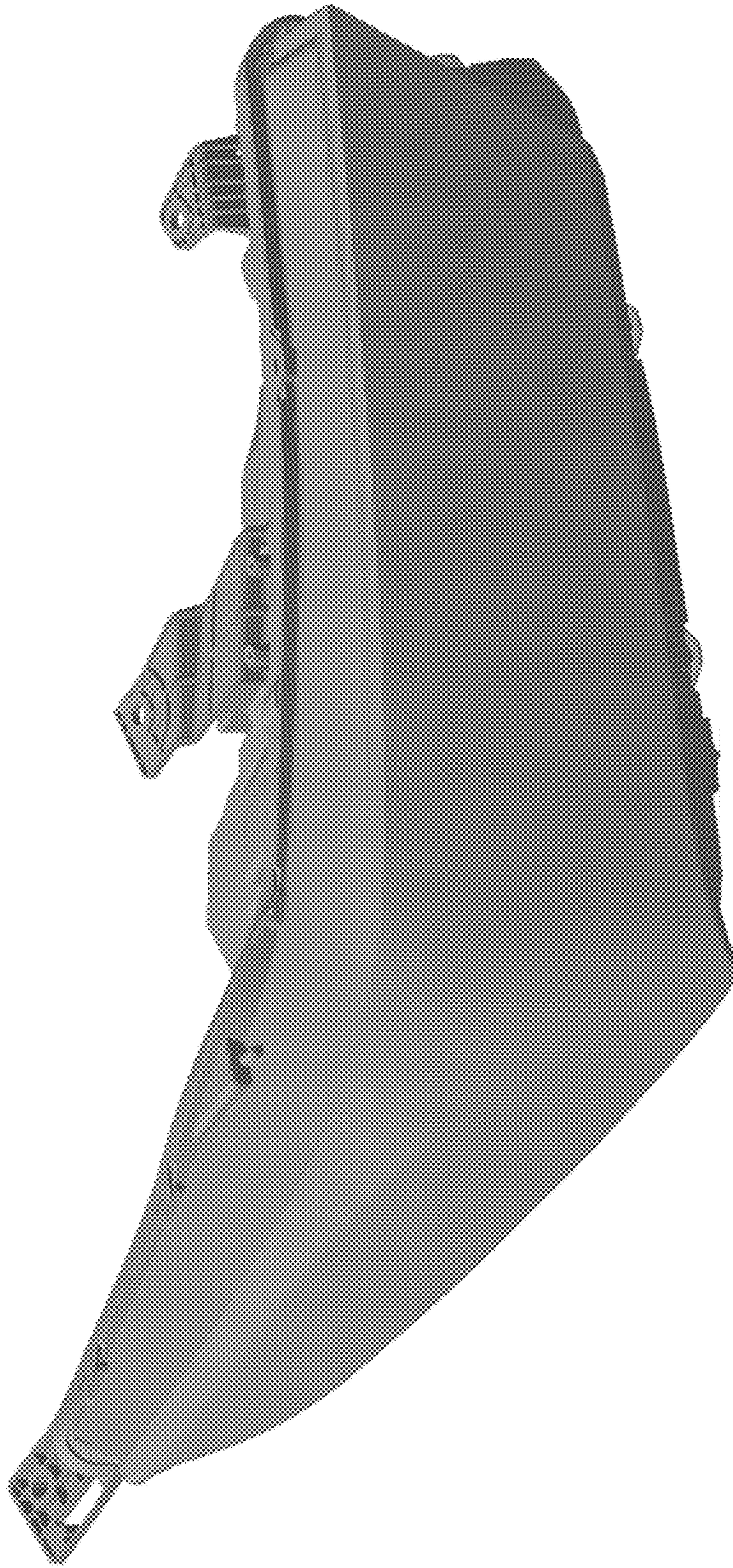
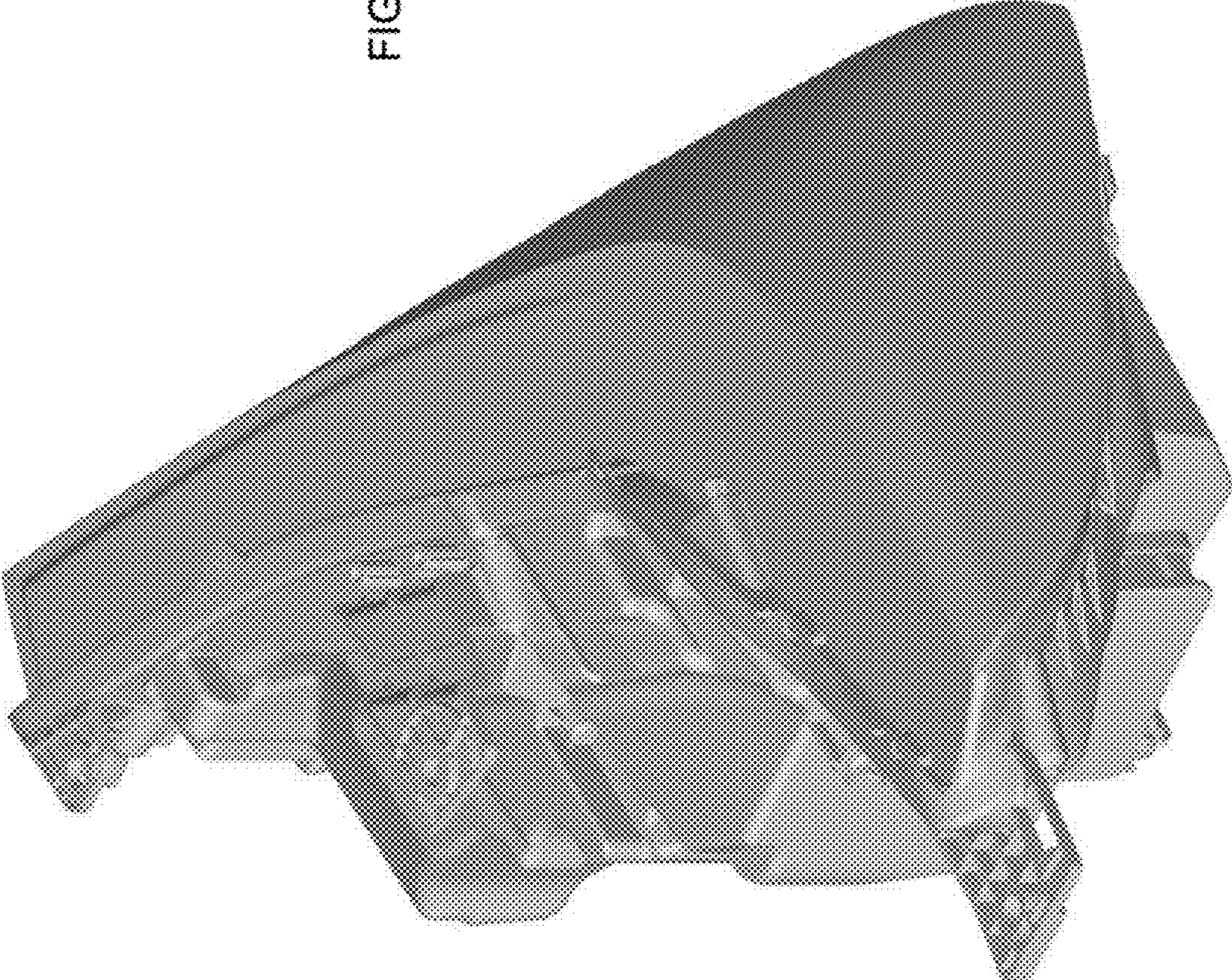


FIGURE 1

FIGURE 2



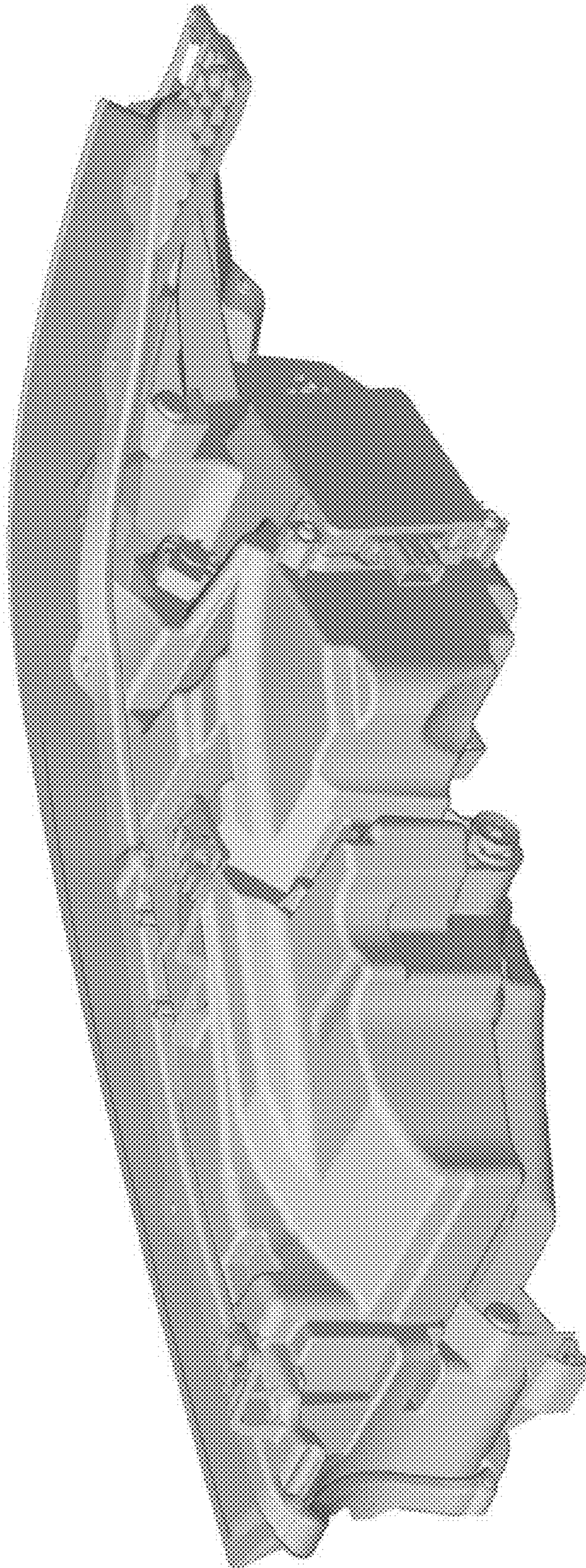
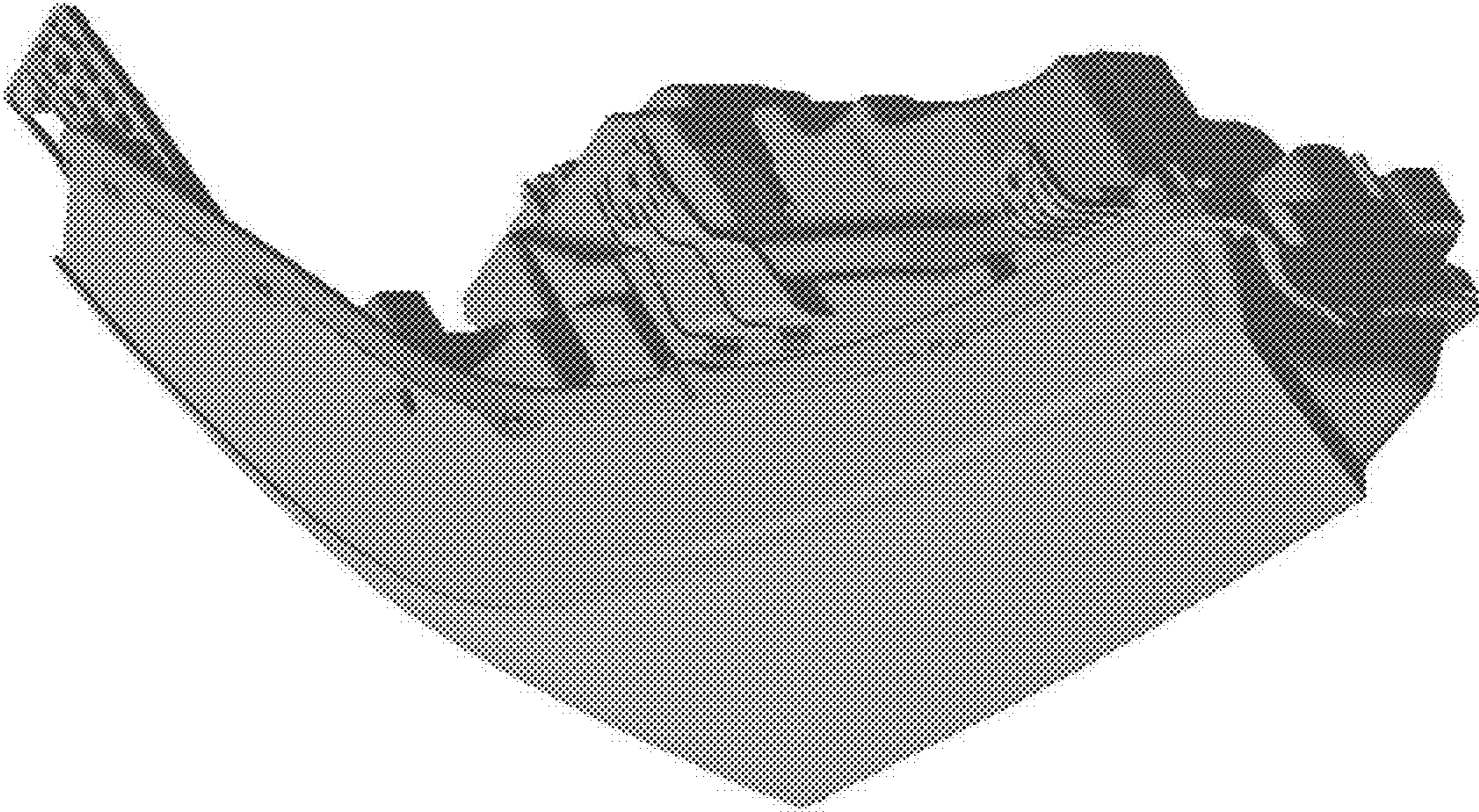


FIGURE 3

FIGURE 4



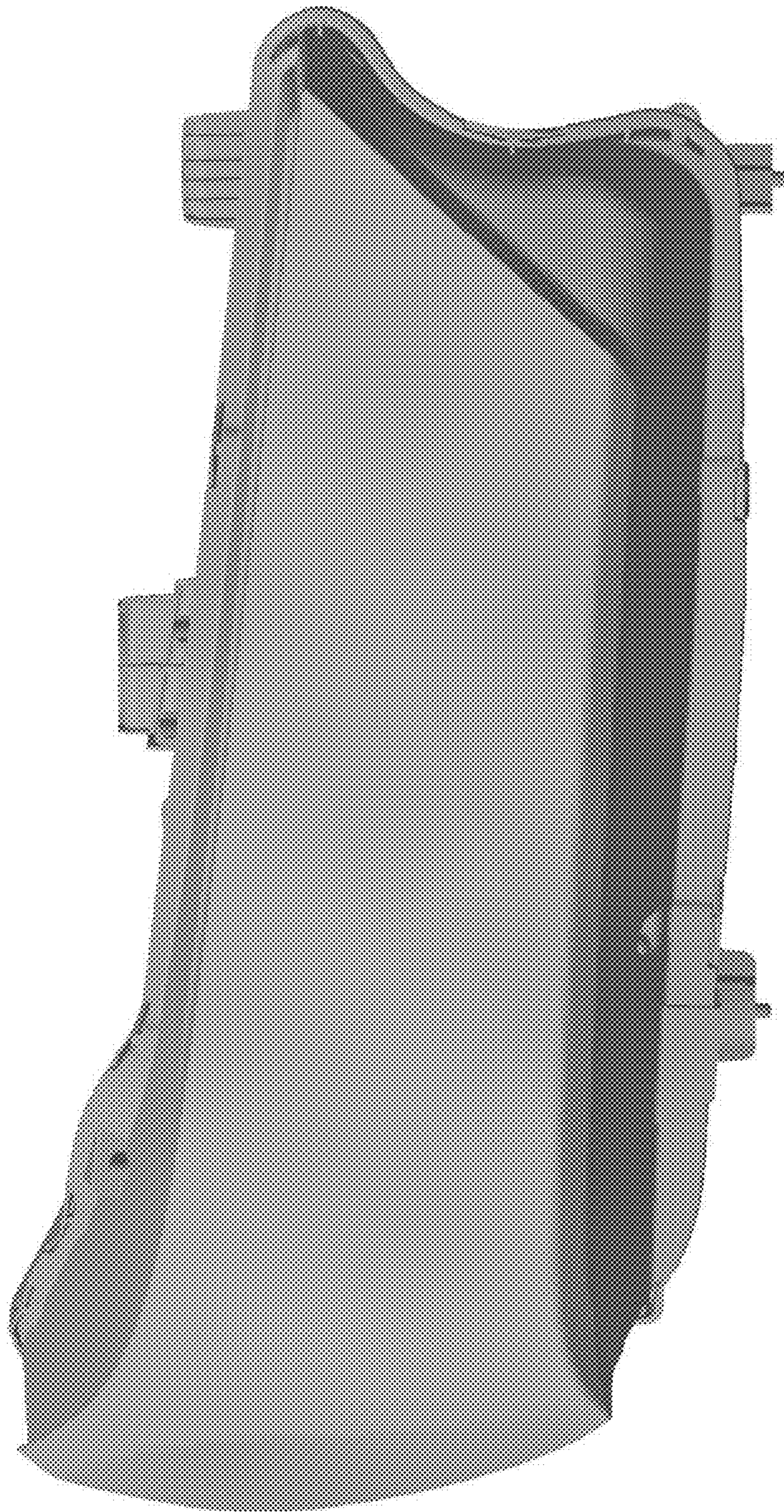


FIGURE 5

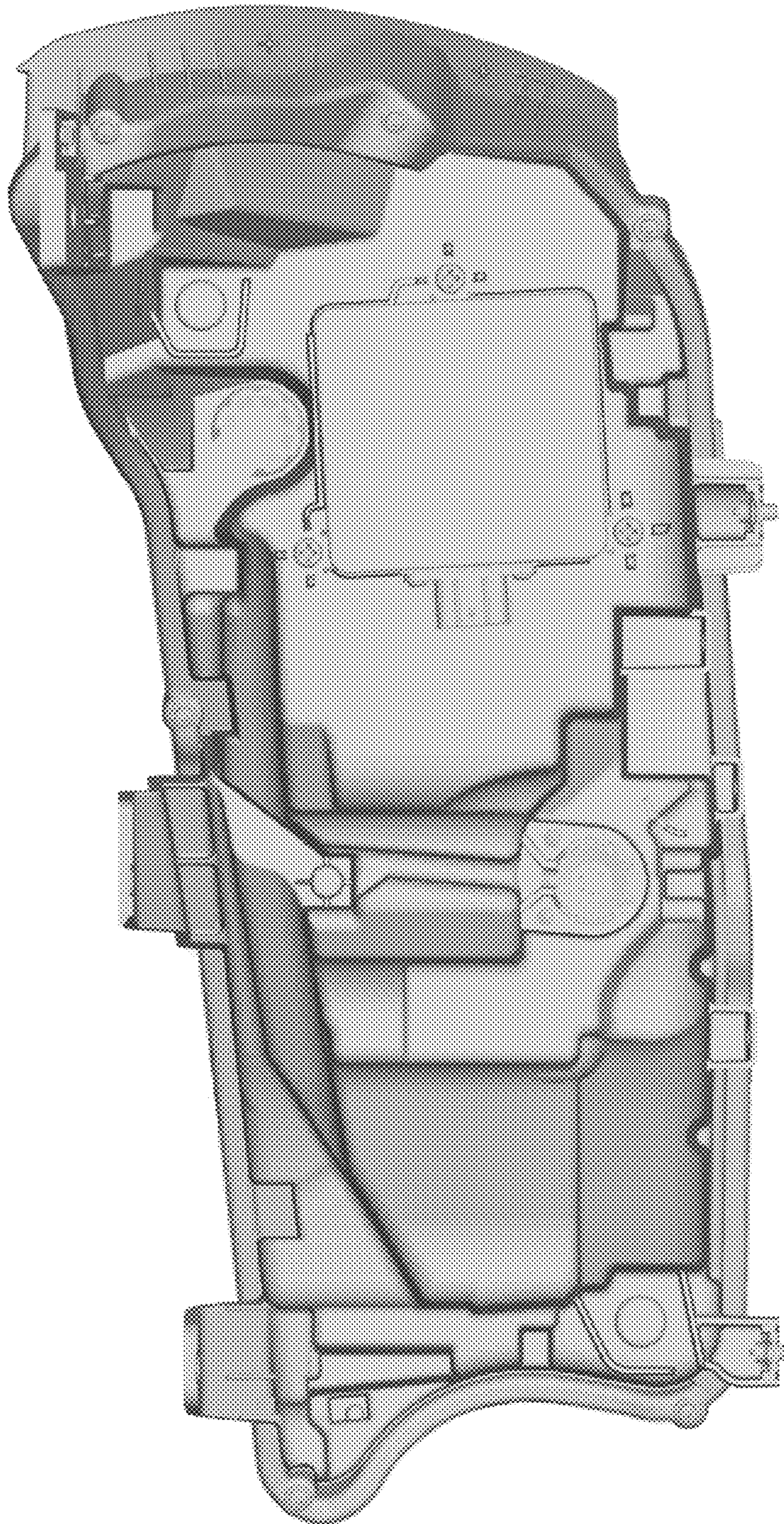
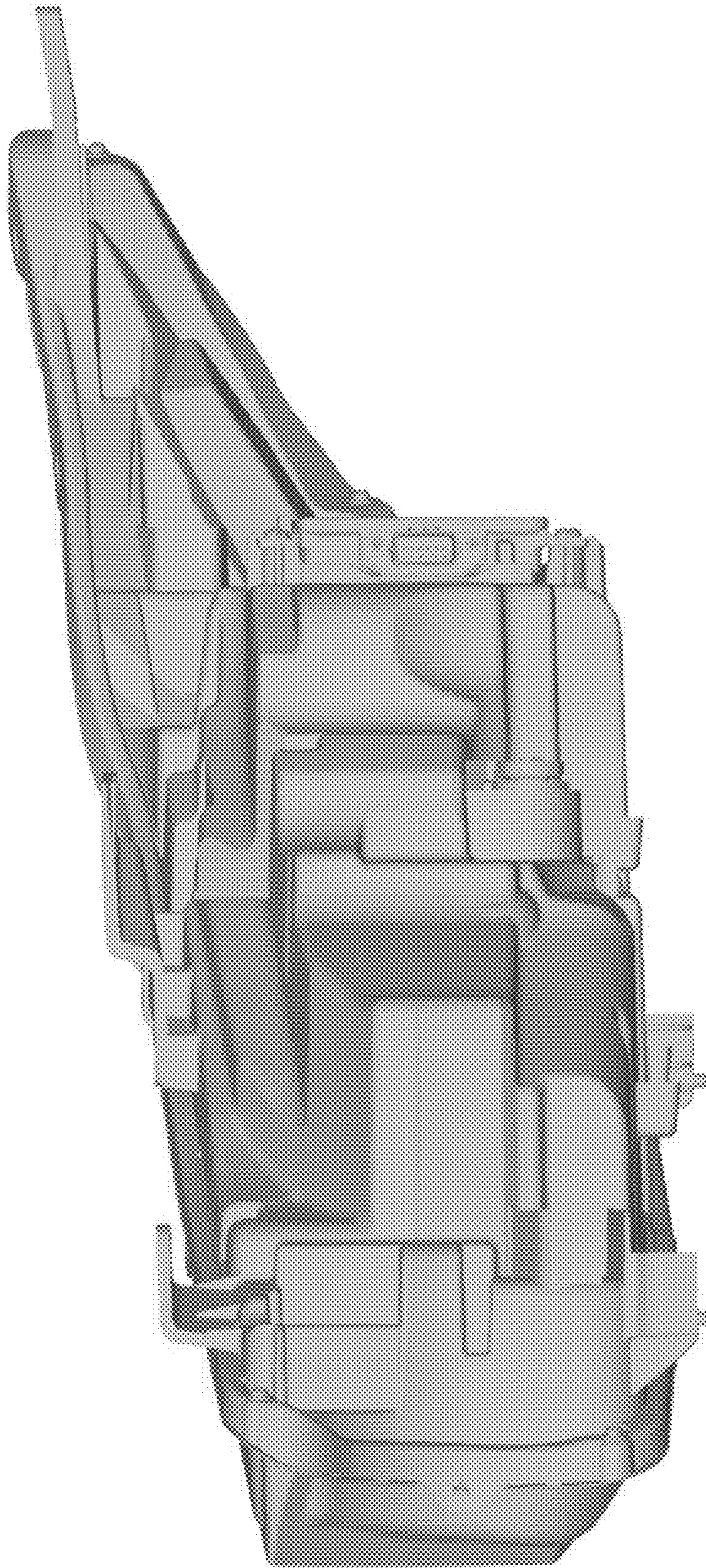


FIGURE 6



FIGURE 7



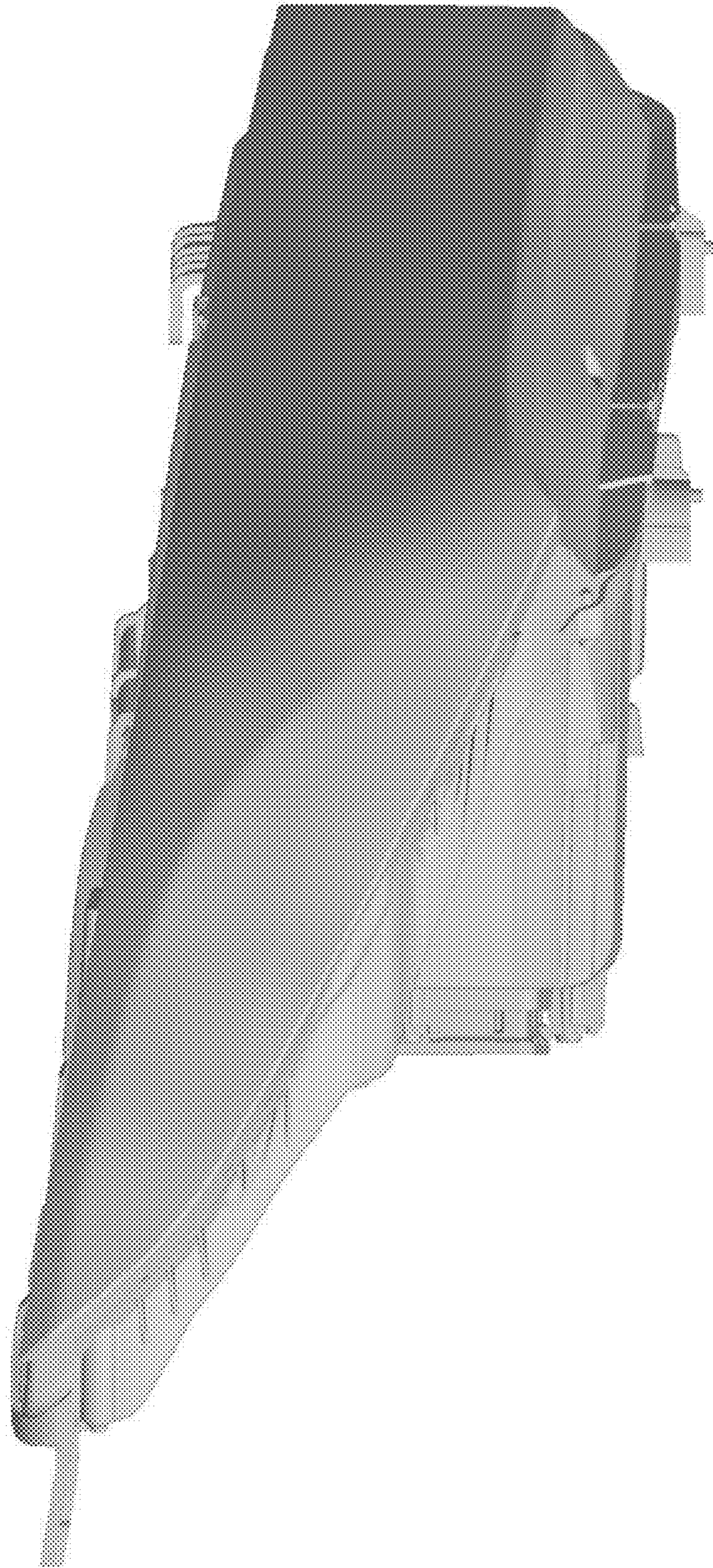


FIGURE 8

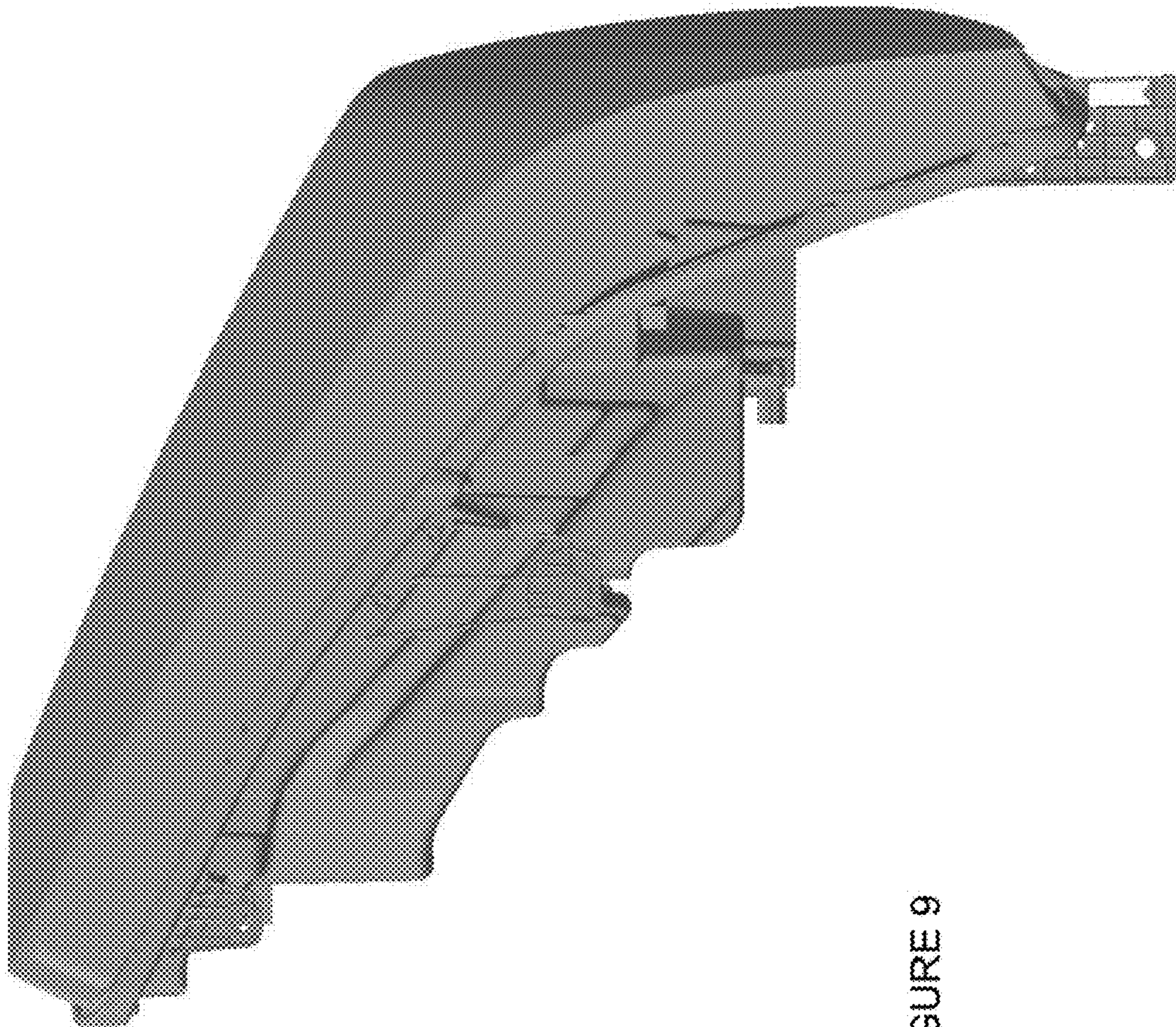


FIGURE 9

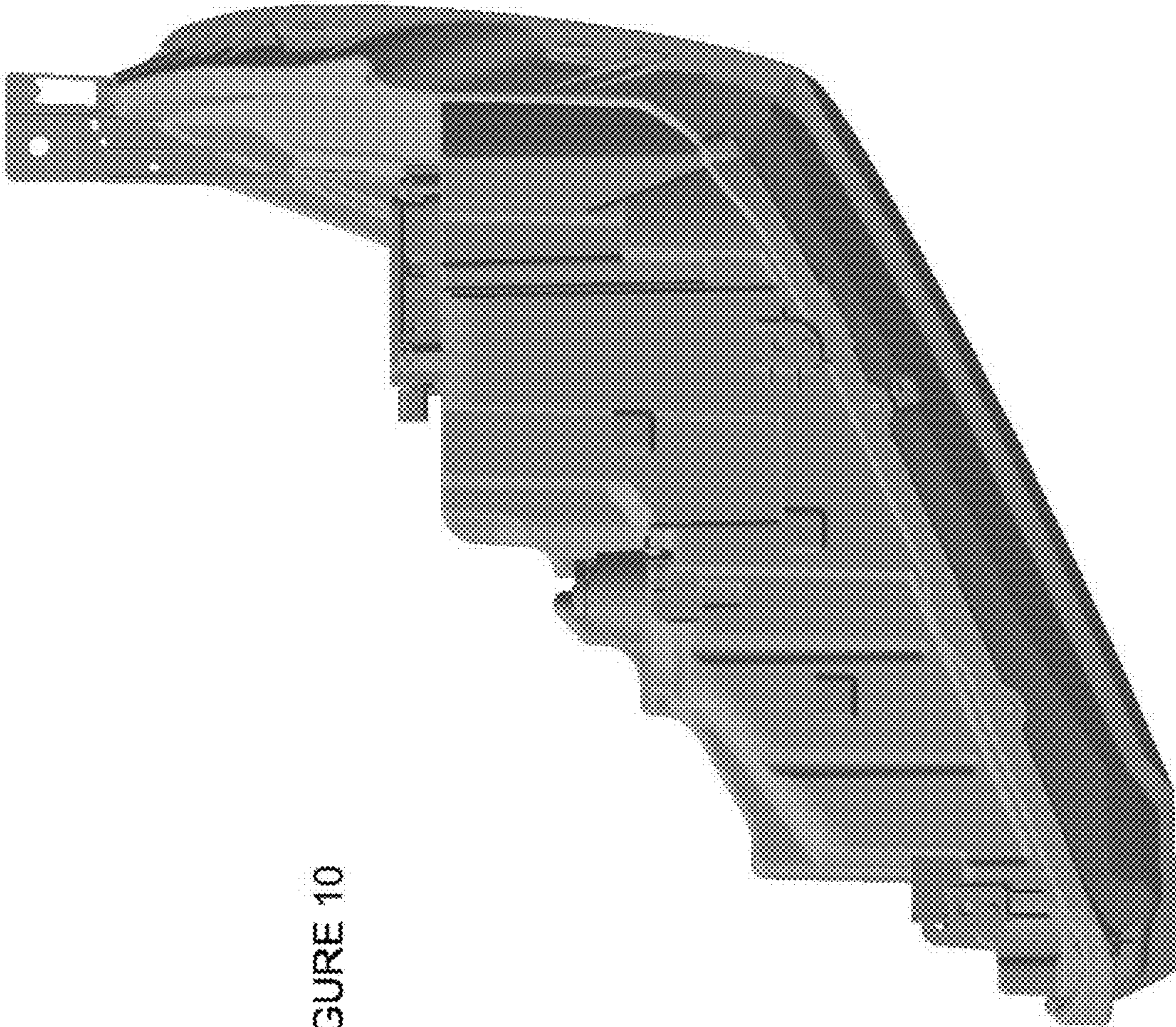


FIGURE 10

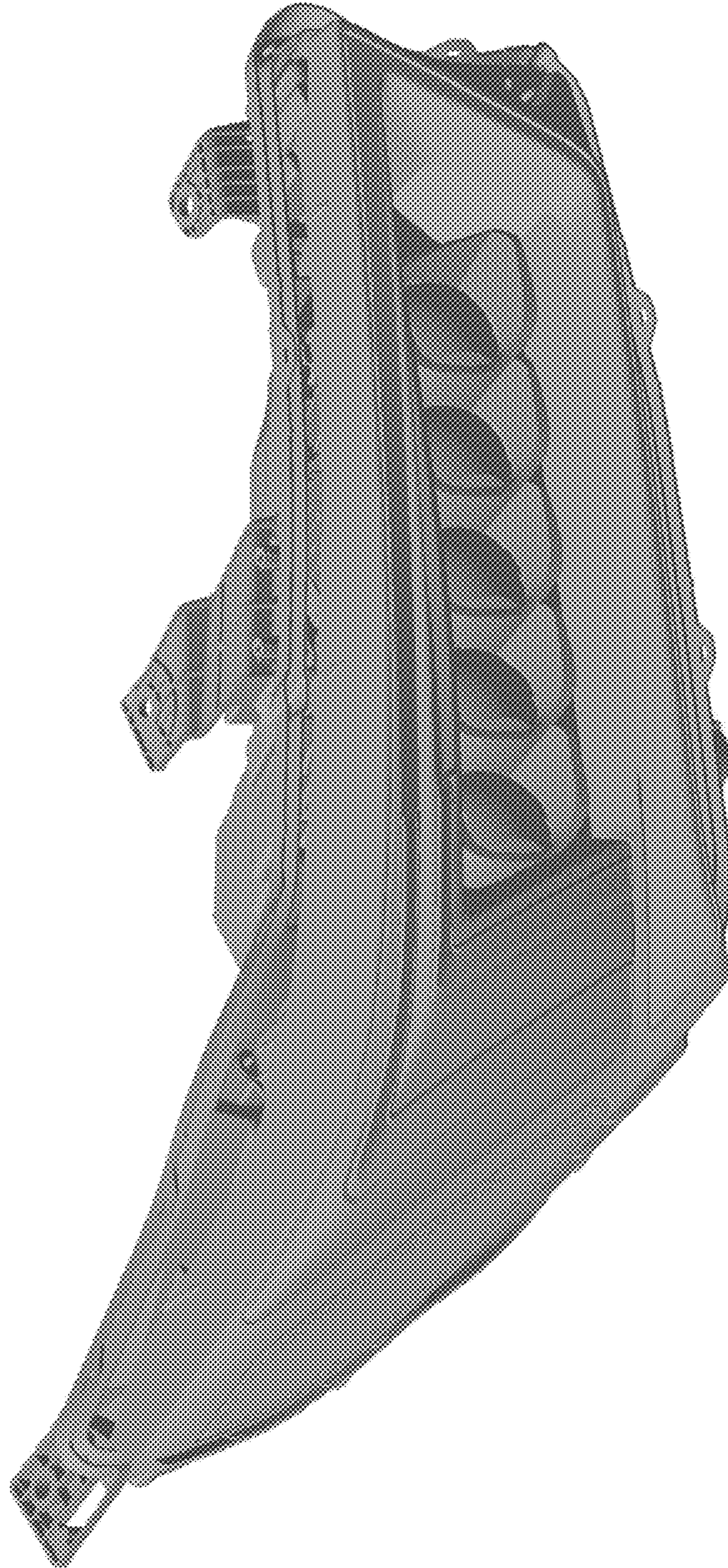
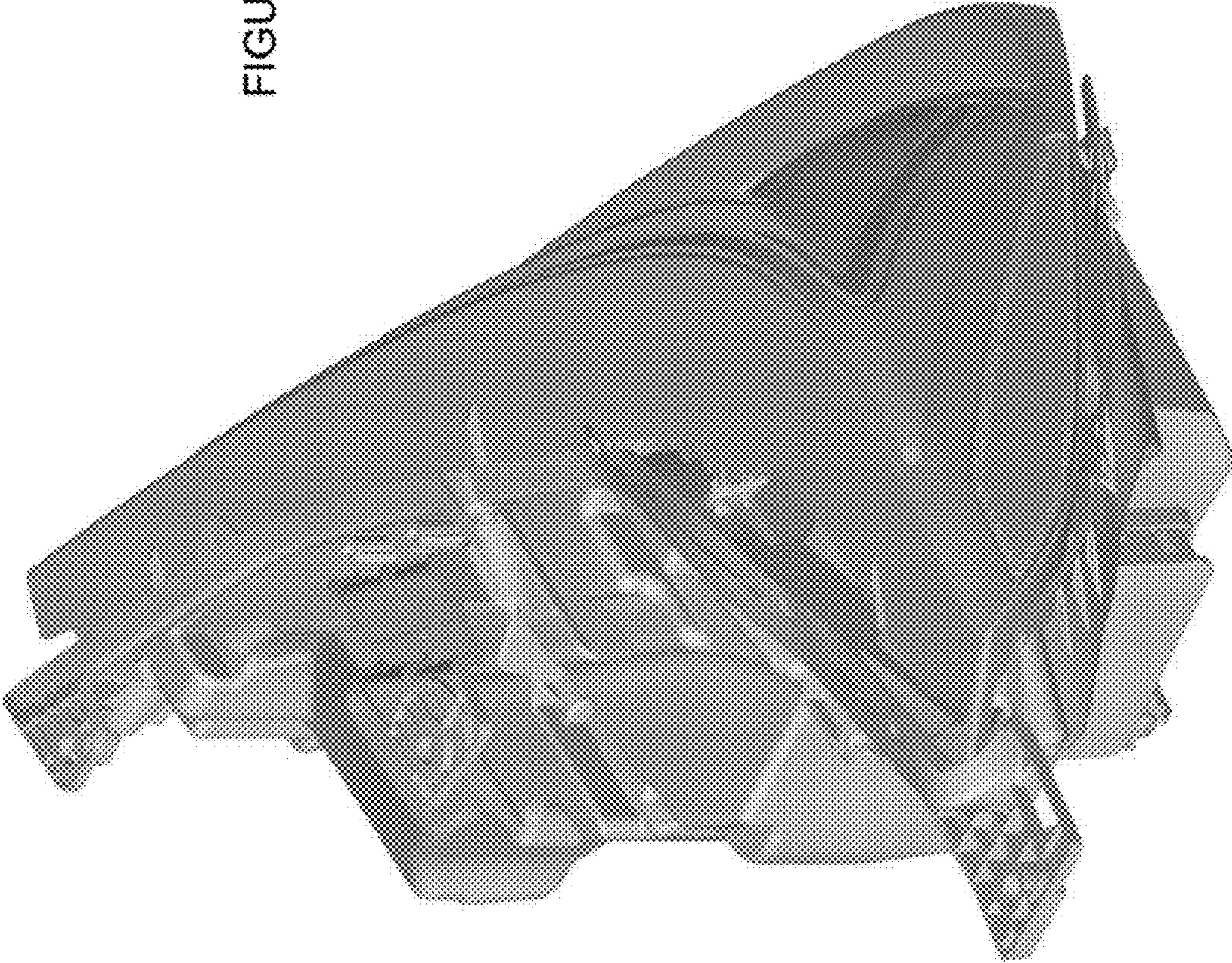


FIGURE 11

FIGURE 12



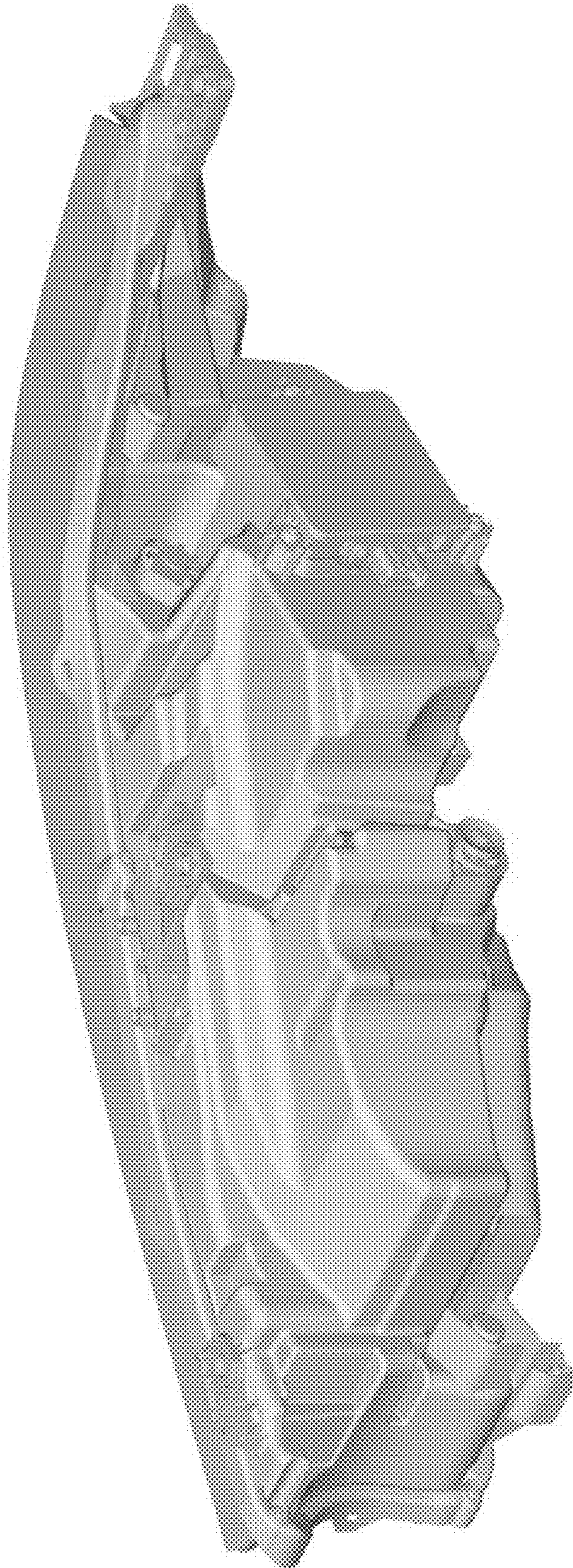


FIGURE 13

FIGURE 14

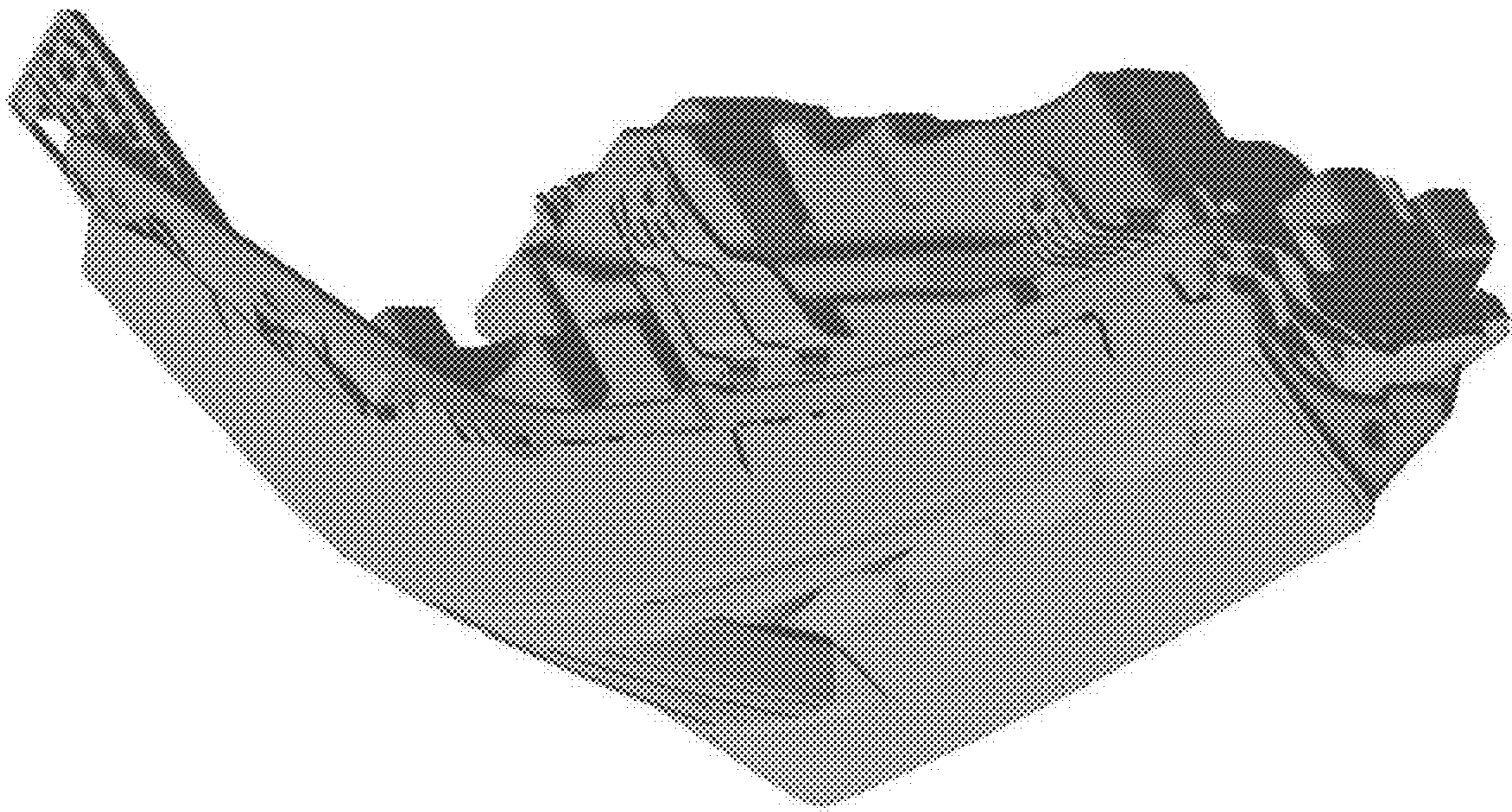




FIGURE 15

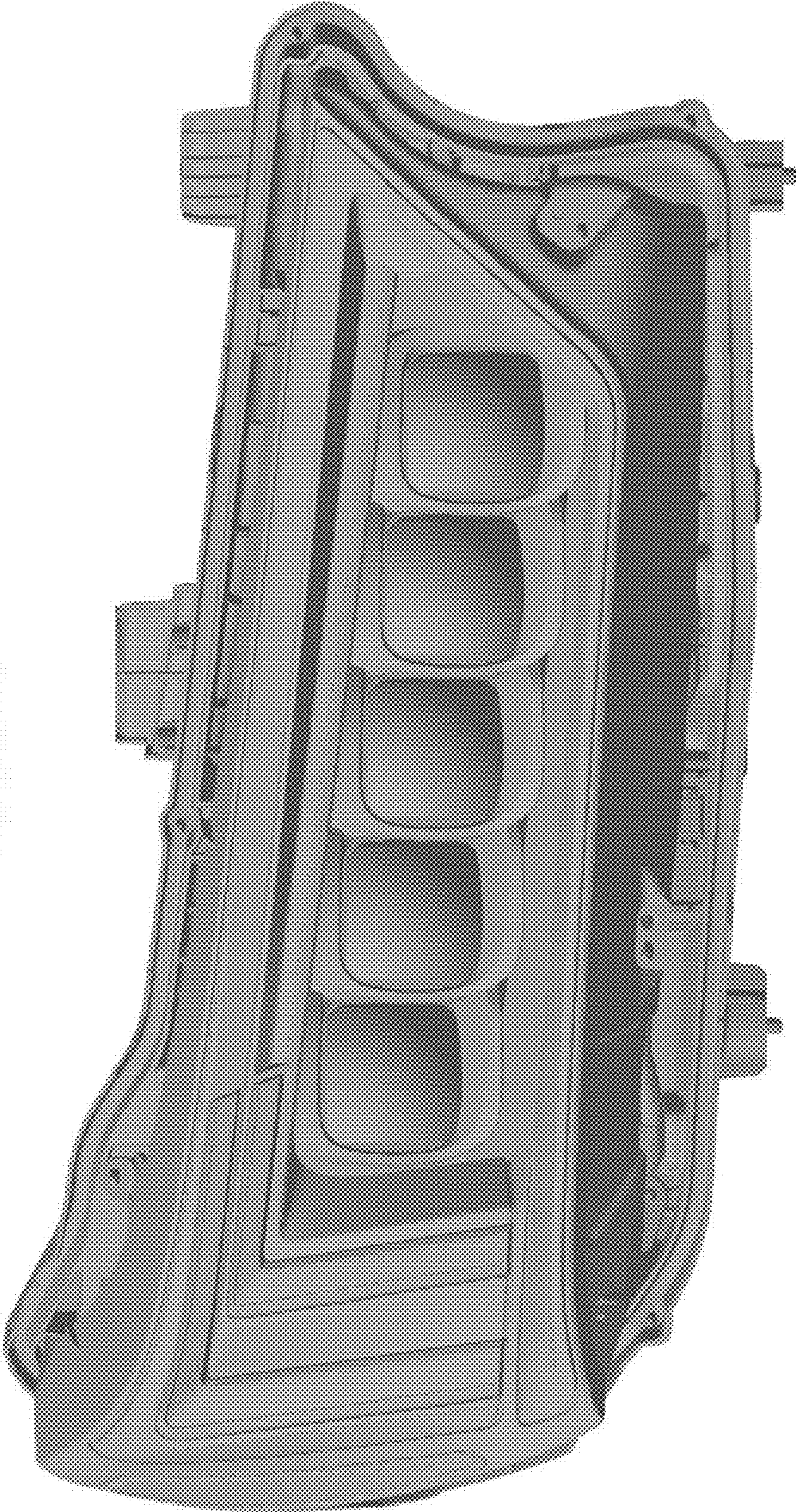


FIGURE 16

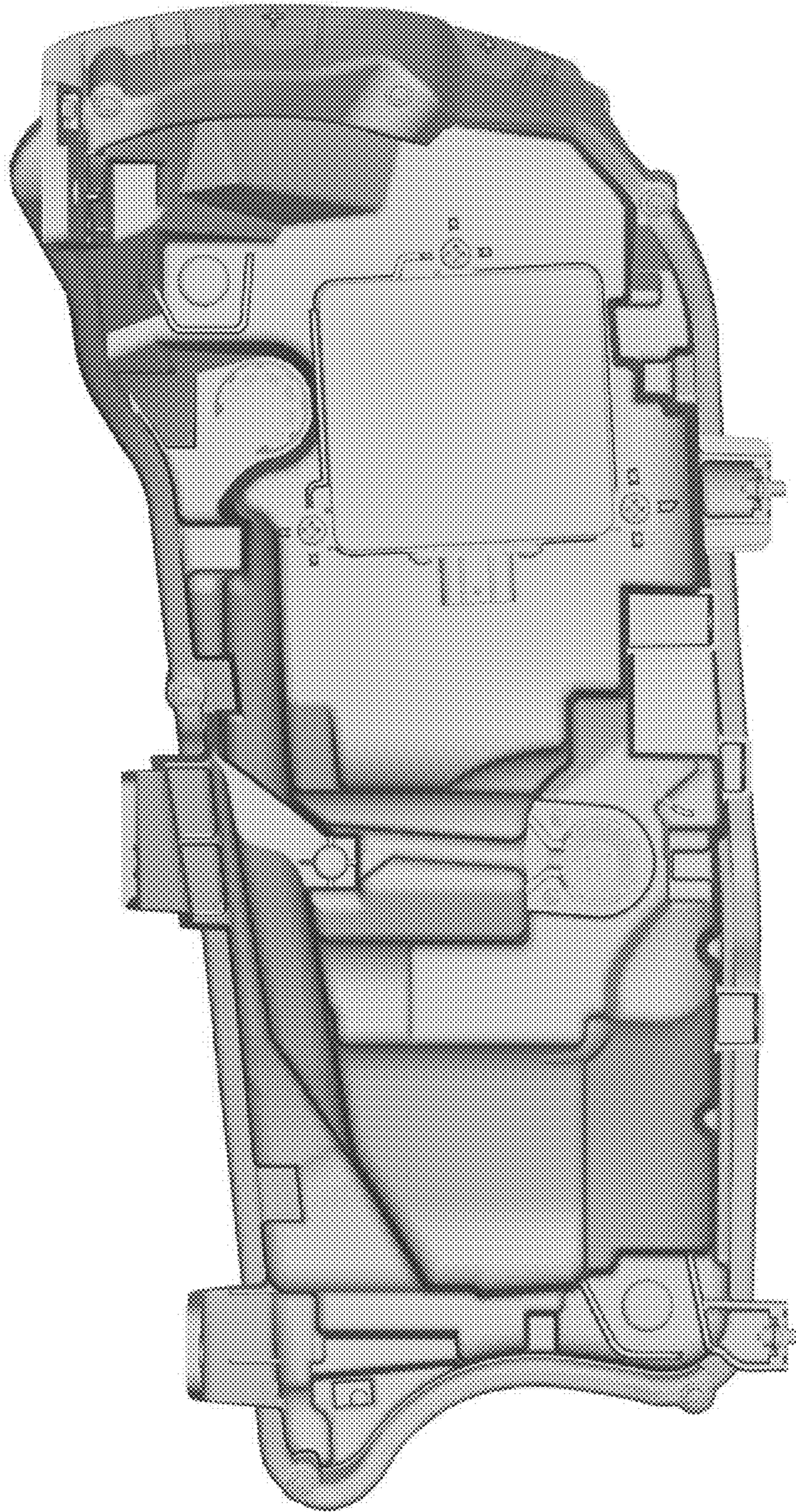


FIGURE 17

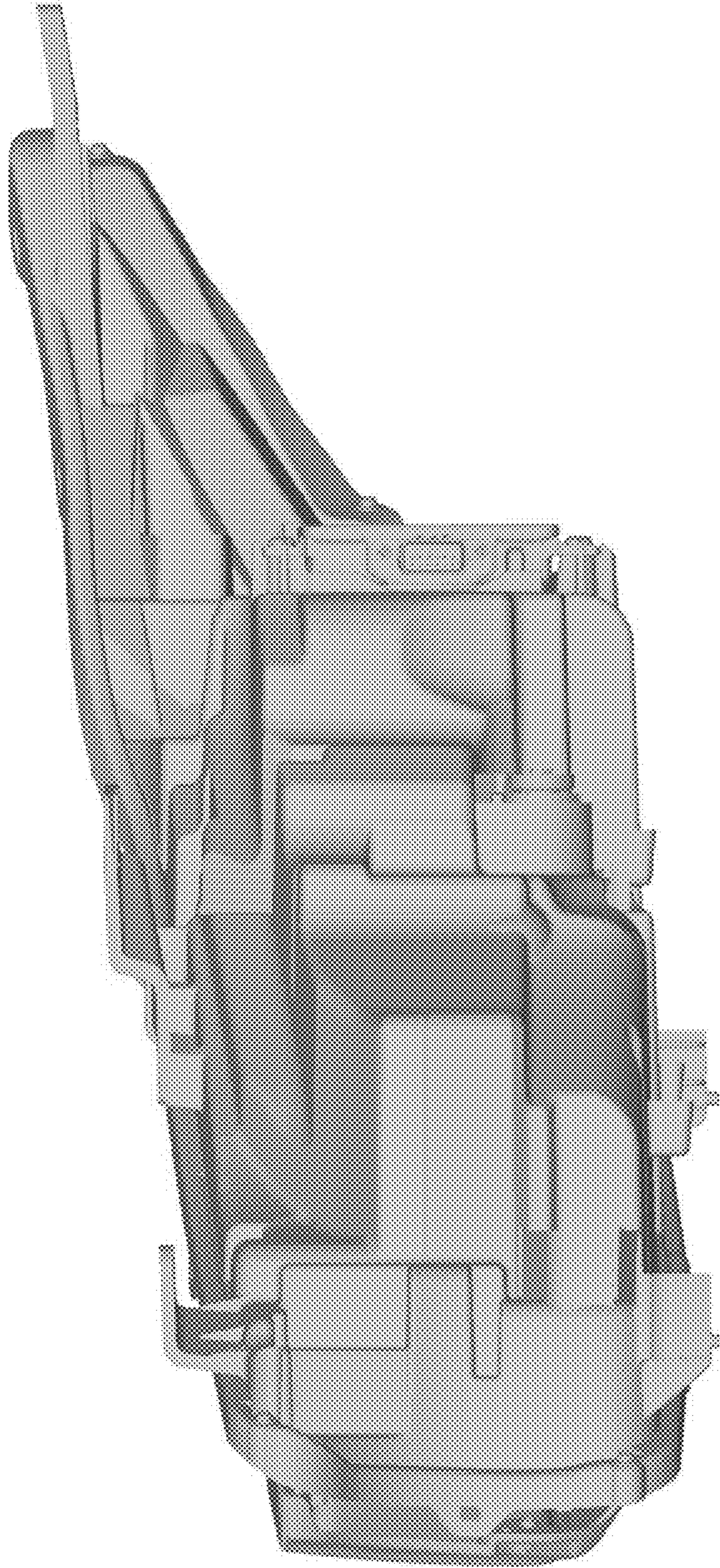
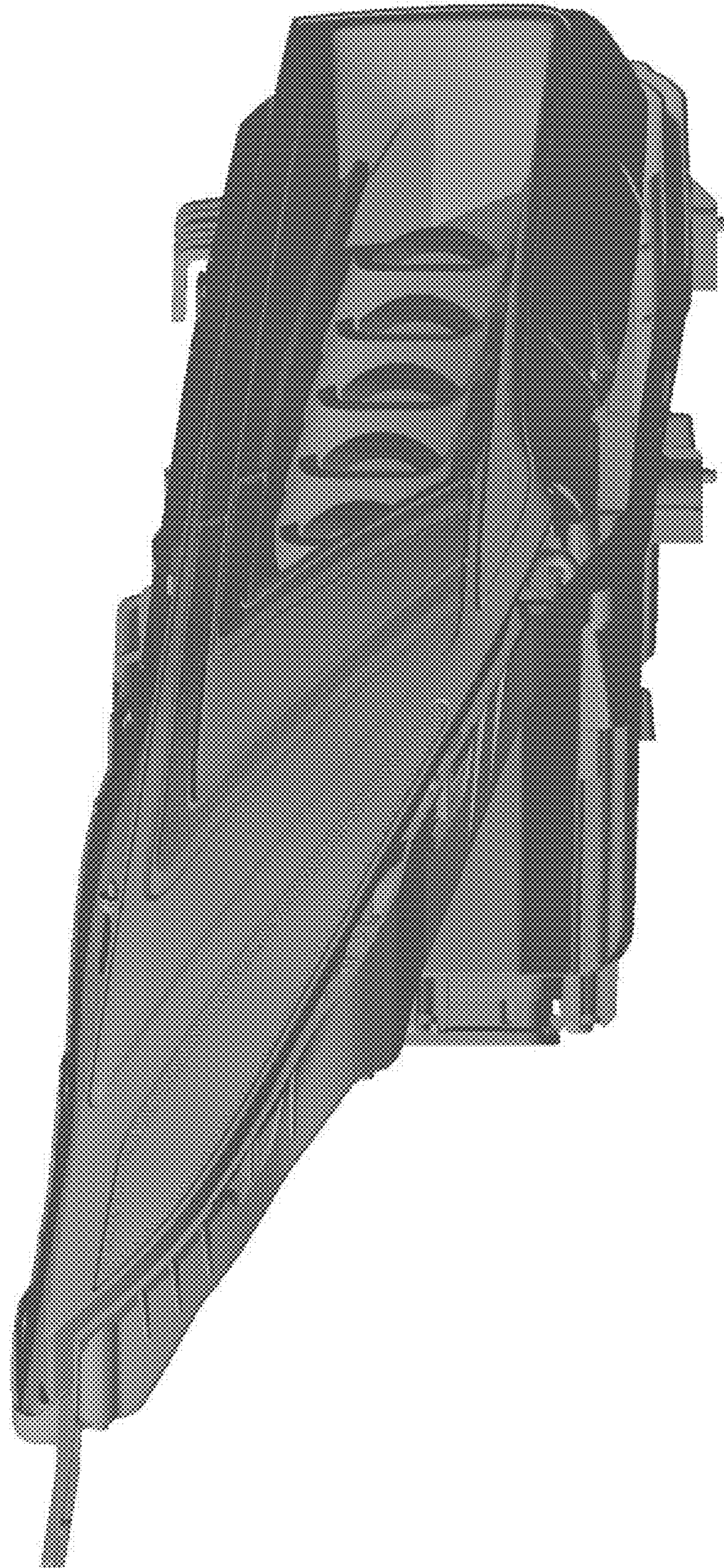


FIGURE 18



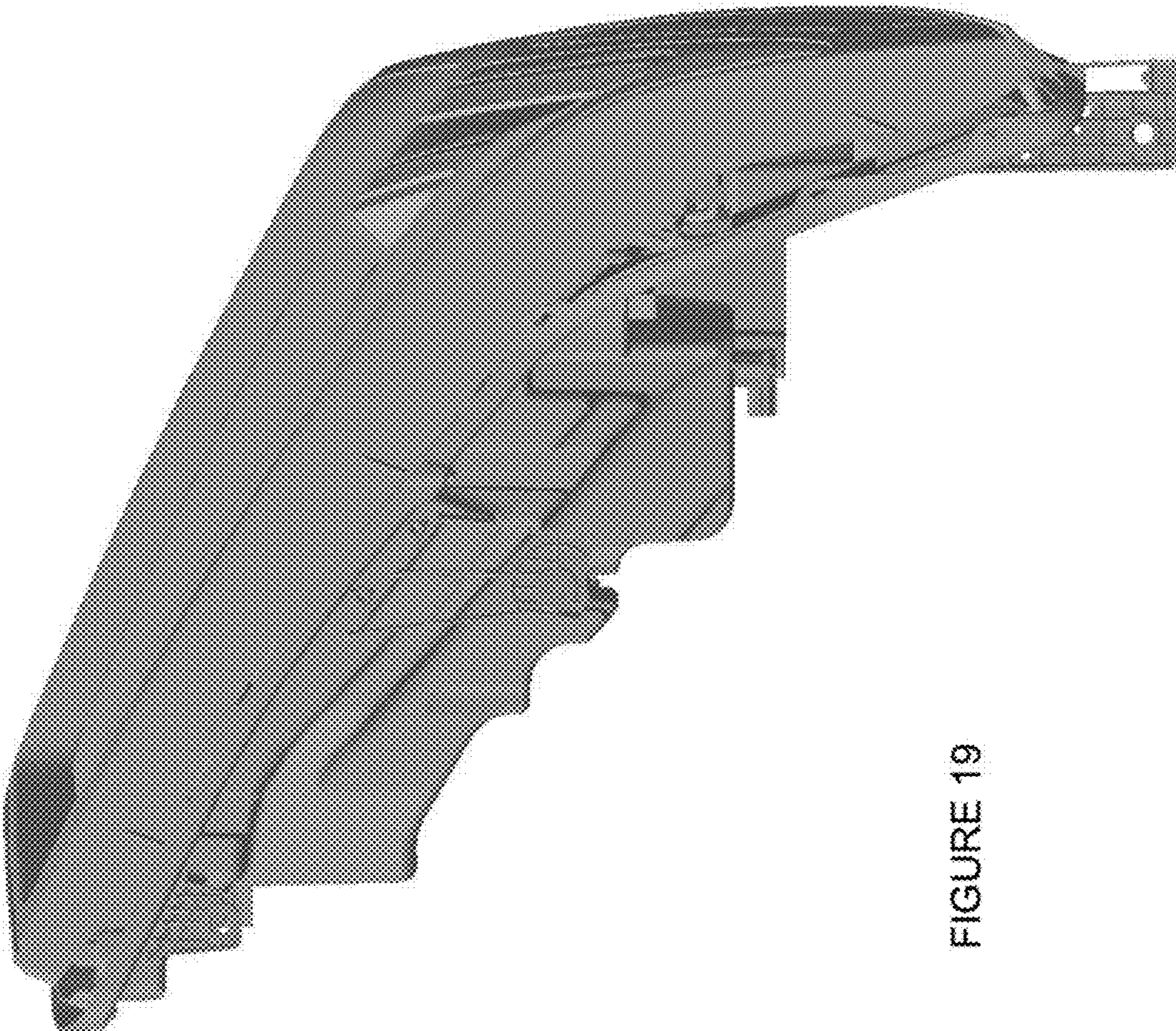


FIGURE 19

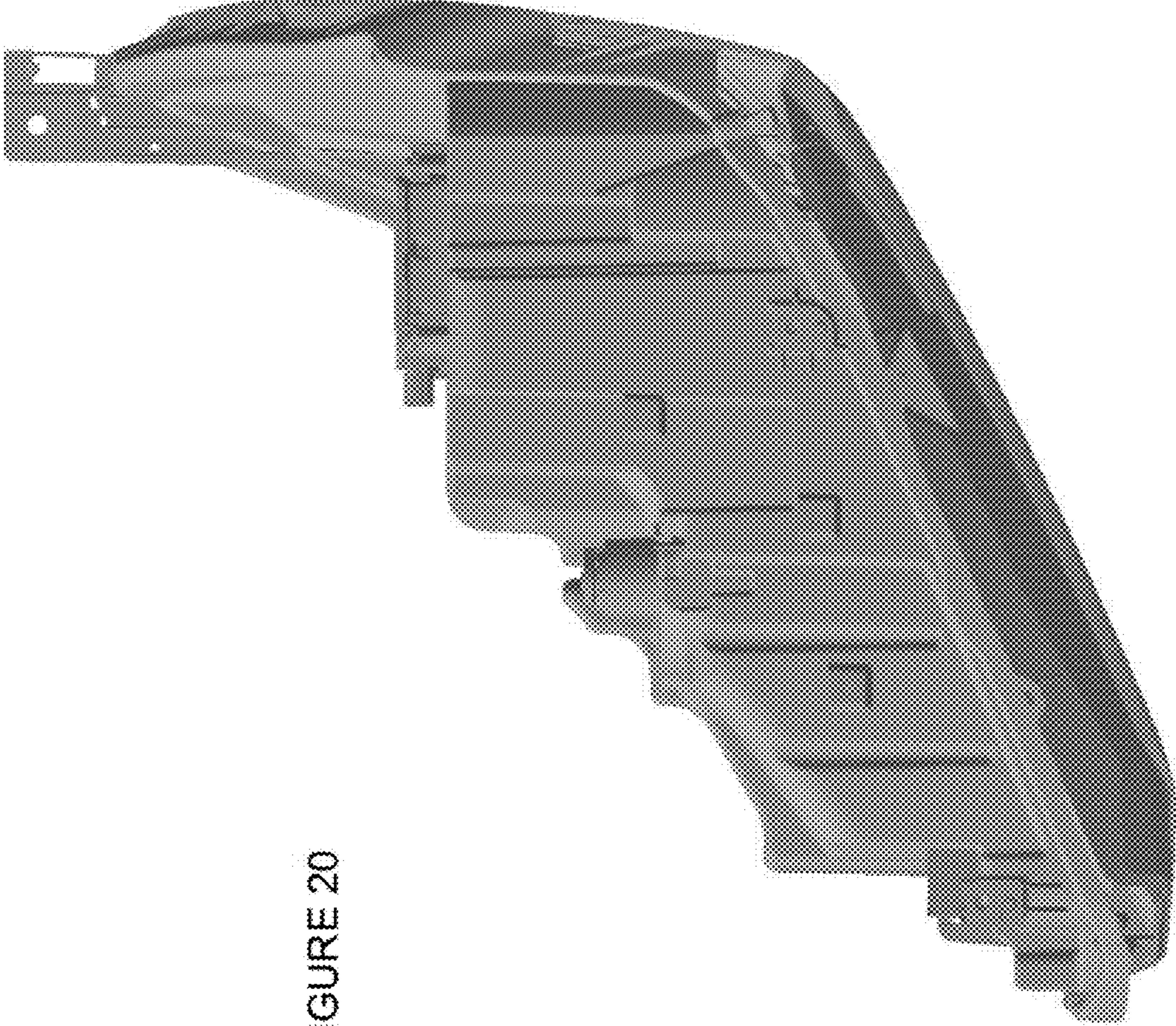


FIGURE 20