



US00D777952S

(12) **United States Design Patent**  
**Fiser**

(10) **Patent No.:** **US D777,952 S**  
(45) **Date of Patent:** **\*\* Jan. 31, 2017**

(54) **ROOF VENT**

(71) Applicant: **Lomanco, Inc.**, Jacksonville, AR (US)

(72) Inventor: **Jakob D Fiser**, Jacksonville, AR (US)

(\*\*) Term: **14 Years**

(21) Appl. No.: **29/514,740**

(22) Filed: **Jan. 15, 2015**

(51) **LOC (10) Cl.** ..... **25-01**

(52) **U.S. Cl.**  
USPC ..... **D25/139**

(58) **Field of Classification Search**

USPC ..... D25/138–145, 149–153, 156–159,  
D25/162–163, 199, 58, 110–111;  
D23/373, 393; D8/349, 354, 382, 384  
CPC ..... E04D 1/00; E04D 1/12; E04D 1/14;  
E04D 1/16; E04D 1/18; E04D 1/20; E04D  
1/24; E04D 1/26; E04D 1/28; E04D 1/34;  
E04D 1/265; E04D 2001/3461; E04D  
13/174; E04D 13/176; E04D 13/00; E04F  
13/08; E04F 13/0862; E04F  
13/0864; E04F 13/0873; E04F 13/0894;  
E04F 13/24; E04F 13/076; E04F 13/147;  
E04F 13/185; F24F 7/02

See application file for complete search history.

(56) **References Cited**

**U.S. PATENT DOCUMENTS**

2,551,223 A 5/1951 Thiebaut  
2,551,965 A 5/1951 Ciampolini et al.  
(Continued)

**OTHER PUBLICATIONS**

Lomanco Ridge Vent, posted at Wimsatt Building Materials [online], posted on Jul. 9, 2015, [retrieved on Mar. 3, 2016].

Available from the Internet, <URL: <https://wimsattdirect.com/products/steep-slope-roofing/ventilation/vinyl-ridge-vents/ridge-vent>>.\*

(Continued)

*Primary Examiner* — Catheri Oliver-Garcia

*Assistant Examiner* — Rebekah A Caruso

(74) *Attorney, Agent, or Firm* — Joe D. Calhoun

(57) **CLAIM**

The ornamental design for a roof vent, as shown and described.

**DESCRIPTION**

FIG. 1 depicts a perspective view of a roof vent.

FIG. 2 depicts a close-up view of the encircled portion of the vent of FIG. 1.

FIG. 3 depicts a bottom perspective view of the vent of FIG. 1.

FIG. 4 depicts a close-up view of the portion encircled in FIG. 3.

FIG. 5 depicts a top plan view of the vent of FIG. 1.

FIG. 6 depicts a close-up view of the portion encircled in FIG. 5.

FIG. 7 depicts a bottom plan view of the vent of FIG. 1.

FIG. 8 depicts a close-up view of the portion encircled in FIG. 7.

FIG. 9 depicts a first side elevation view of the vent of FIG. 1.

FIG. 10 depicts a second side elevation view of the vent of FIG. 1.

FIG. 11 depicts a front elevation view of the vent of FIG. 1.

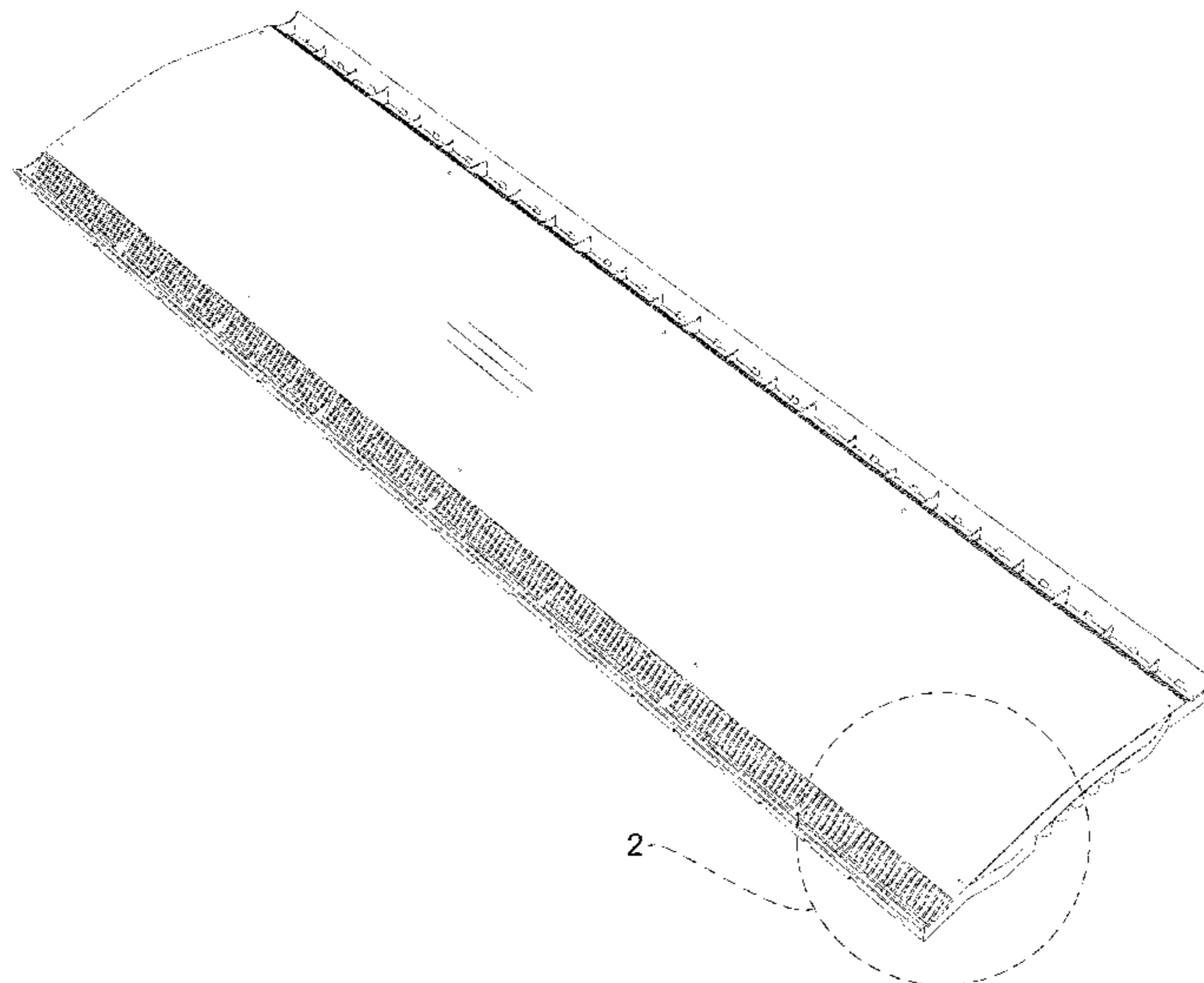
FIG. 12 depicts a close-up view of the portion encircled in FIG. 11.

FIG. 13 depicts a rear elevation view of the vent of FIG. 1; and,

FIG. 14 depicts a close-up view of the portion encircled in FIG. 13.

The portions of the roof vent shown in broken lines form no part of the claimed design.

**1 Claim, 14 Drawing Sheets**



(56)

References Cited

U.S. PATENT DOCUMENTS

3,073,235 A 1/1963 Randall et al.  
 D203,484 S 1/1966 Rousey et al.  
 3,311,047 A 3/1967 Randall et al.  
 3,625,134 A 12/1971 Smith  
 4,000,688 A 1/1977 Kiermeier  
 4,109,433 A 8/1978 Maze  
 4,138,935 A 2/1979 Vallee  
 D256,047 S 7/1980 Wormington  
 4,325,290 A 4/1982 Wolfert  
 4,643,080 A 2/1987 Trostle et al.  
 4,817,506 A 4/1989 Cashman  
 4,903,445 A 2/1990 Mankowski  
 4,907,499 A 3/1990 James  
 4,924,761 A 5/1990 MacLeod et al.  
 4,962,692 A 10/1990 Shuert  
 5,070,771 A 12/1991 Mankowski  
 5,095,810 A 3/1992 Robinson  
 5,149,301 A 9/1992 Gates  
 5,458,538 A 10/1995 MacLeod et al.  
 5,561,952 A 10/1996 Damron  
 5,591,080 A 1/1997 Ward  
 5,630,752 A 5/1997 Gubash  
 5,772,502 A 6/1998 Smith  
 5,832,677 A 11/1998 Kurttila  
 6,128,869 A 10/2000 Brotherton et al.  
 6,212,833 B1 4/2001 Henderson  
 D442,273 S 5/2001 Pestell  
 6,227,963 B1\* 5/2001 Headrick ..... F24F 7/02  
 454/365  
 6,233,887 B1 5/2001 Smith  
 6,277,024 B1 8/2001 Coulton  
 D448,468 S 9/2001 Koessler  
 6,283,852 B1 9/2001 Igo  
 6,293,862 B1 9/2001 Jafine et al.  
 6,361,434 B1 3/2002 Brandon  
 6,371,847 B2\* 4/2002 Headrick ..... 454/365  
 6,418,692 B1 7/2002 Freshwater et al.  
 6,482,084 B2 11/2002 Hansen  
 6,491,581 B1 12/2002 Mankowski  
 6,599,184 B2 7/2003 Morris  
 6,684,581 B2 2/2004 Robinson et al.  
 6,733,381 B1 5/2004 Ploeger  
 6,793,574 B1 9/2004 Robinson  
 6,881,144 B2 4/2005 Hansen et al.  
 D511,847 S\* 11/2005 Ciepliski ..... D25/141  
 D511,848 S 11/2005 Ciepliski  
 7,024,828 B2 4/2006 Headrick  
 7,044,852 B2 5/2006 Horton  
 7,219,473 B2 5/2007 Mantyla et al.  
 D549,316 S 8/2007 O'Hagin  
 D602,579 S 10/2009 Stone  
 7,662,037 B2 2/2010 Polston  
 D615,218 S\* 5/2010 Grubka ..... D25/141  
 D618,780 S 6/2010 Williams, Sr.  
 7,766,735 B2 8/2010 Ciepliski et al.  
 7,856,764 B2 12/2010 Kortuem et al.  
 8,069,621 B2 12/2011 Mantyla et al.  
 D654,161 S\* 2/2012 Holland ..... D23/373  
 8,157,628 B2 4/2012 Villela et al.  
 D710,985 S\* 8/2014 Gassman ..... D23/373  
 2001/0019941 A1 9/2001 Headrick  
 2002/0016150 A1 2/2002 Hansen  
 2002/0078651 A1 6/2002 Freshwater et al.  
 2002/0100232 A1 8/2002 Robinson et al.  
 2004/0088928 A1 5/2004 Headrick et al.  
 2004/0237428 A1\* 12/2004 Headrick ..... E04D 13/176  
 52/198  
 2006/0079173 A1 4/2006 Coulton et al.  
 2006/0229010 A1\* 10/2006 Villela ..... F24F 7/02  
 454/365  
 2007/0049190 A1 3/2007 Singh  
 2007/0072540 A1\* 3/2007 Ciepliski ..... F24F 7/02  
 454/365

2008/0064320 A1\* 3/2008 Polston ..... E04D 13/174  
 454/365  
 2008/0287054 A1 11/2008 Carlson et al.  
 2009/0113823 A1 5/2009 Osborne  
 2009/0233541 A1\* 9/2009 Holland ..... E04D 13/176  
 454/365  
 2010/0112932 A1\* 5/2010 Grubka ..... E04D 13/174  
 454/365  
 2014/0099877 A1 4/2014 Gassman et al.  
 2014/0308891 A1\* 10/2014 Holland ..... F24F 7/02  
 454/365

OTHER PUBLICATIONS

Roofing Contractor, Sell The System! "No intake vents, no system;" advertisement for SmartVent by DCI, Tapered Under—Shingle Attic Intake Ventilation, Mar. 2005.  
 Roofer's Exchange(Mid-Atlantic Division)Sell the System! "No intake vents, no system" advertisement for SmartVent by DCI, Tapered Under—Shingle Attic Intake Ventilation, Mar. 2005.  
 Roofing Contractor, Manufacturers Spotlight DCI Products Inc., Jan. 2006.  
 Roofing Contractor, Need Intake? Guaranteed Airflow with SmartVent; advertisement for SmartVent by DCI, Oct. 2006.  
 Roofing Contractor, Need Intake? Guaranteed Airflow with SmartVent; advertisement for SmartVent by DCI, Feb. 2007.  
 JLC, Sell the System! "No intake vents, no system;" advertisement for SmartVent by DCI, Tapered Under—Shingle Attic Intake Ventilation, Jan. 2005.  
 Roofing Contractor, Sell the System! "No intake vents, no system;" advertisement for SmartVent by DCI, Tapered Under—Shingle Attic Intake Ventilation, Jan. 2004.  
 Roofing Contractor, "Product Focus—Focus On—Ventilation", Aug. 2004.  
 Roofing Contractor, "Manufacturer Spotlight—DCI Products, Inc.—No Intake Vents, No System!", Jan. 2007.  
 Trimline Building Products, Off-Peak Vent Installation Instructions, www.trimline-products.com, 2006.  
 DCI Products, Inc., SmartVent Off-Peak Application, www.dciproducts.com, 2005.  
 DCI Products, Inc., SmartVent Off-Peak Application, www.dciproducts.com, 2006.  
 Ridgeline Incorporated, Ridgeline Ridge Vent Systems—Install a Ridgeline Ride Vent and You'll Breathe a Lot Easier, 1998.  
 Ridgeline Incorporated, Ridgeline Product Guide, 1998.  
 Air Vent, Inc., Air Vent Inc. ShingleVent II—The Balanced System for Attic Ventilation, 1992.  
 Air Vent, Inc., The Best Vents for All Homes, 1992.  
 Air Vent, Inc., Architectural Drawings and Installation Instructions, 1993.  
 Air Vent, Inc., External Baffles vs. Internal Baffles Shingle—Over Ridge Vent Comparison Tests, 1991.  
 Air Vent, Inc., The Best Vents for All Homes, 1991.  
 Thompson Architectural Metals Company, "Product Evaluation Report for Round Top Off Ridge Vent with Baffle for Tile," Thompson Architectural Metals Company; Jul. 16, 2008.  
 Thompson Architectural Metals Company, "Off Ridge Roof Vent Installation," Thompson Architectural Metals, Jul. 14, 2008.  
 Trimline Building Products, "Complete Guide to Trimline Vent Requirements & Installation," Trimline Building Products, Sep. 2005.  
 Atlas Roofing Corporation, HV Evolution Data Sheet, Atlas Roofing, Apr. 2009.  
 NBP International, "Evolution Ridge Vents" presentation, 2007.  
 NBP International, "The ridge is the 'top' choice for ventilation," NBP Ridge Vents brochure, 2007.  
 Air Vent, Inc., "Attic Ventilation: The Five Most Frequently Asked Questions," Scelsi, Paul, Nov. 2003.  
 Trimline Building Products, "The Best Ridge Vent inPerformance, Attractiveness and Ease of Installation," Trimline Building Products Shingle—Over Ridge Vents brochure, 2005.  
 Trimline Building Products, Trimline Ventilation Products and Installation Instructions, 2007.

(56)

**References Cited**

## OTHER PUBLICATIONS

Air Vent, Inc., ShingleVent® II—High Performance Ridge Vent from Air Vent, 1996.  
 Air Vent, Inc., Multi-Pitch FilterVent®—High Performance Ridge Vent from Air Vent, 1996.  
 Air Vent, Inc., Proven Performance . . . Through Research, 1992.  
 DCI Products, Inc., DCI Products Inc. Smartvent and Smartridge at IRE show, 2007.  
 DCI Products, Inc., SmartVent by DCI, The Total Attic Ventilation System, Sep. 7, 2005.  
 DCI Products, Inc., SmartVent by DCI, Aug. 12, 2005.  
 DCI Products, Inc., SmartVent by DCI, Tapered Under—Shingle Attic Intake Ventilation, Nov. 7, 2005.  
 DCI Products, Inc. SmartVent by DCI, The Total Attic Ventilation System, 2006.  
 Roofing Contractor, SmartVent by DCI Products, Big Insurance News for the Roofing Contractor, Architect or Builder, Mar. 2004.  
 Roofing Contractor, Manufacturers Spotlight—DCI Products Inc., Complete Your Ventilation System, SmartVent by DCI, Jan. 2005.  
 Air Vent, Inc., Air Vent Multi-Pitch FilterVent®, 1992.  
 Air Vent, Inc., Air Vent Peak Performer ITM, 1992.  
 Air Vent, Inc., Air Vent Peak Performer IITM, 1992.  
 Air Vent, Inc., Air Vent VenturiVent RollTM. 1992.  
 Air Vent, Inc., Air Vent Easy UpTM, 1992.  
 Air Vent, Inc., Air Vent SLP Slant Back Plastic, 1992.  
 Air Vent, Inc., Air Vent SQP Square Plastic, 1992.  
 Air Vent, Inc., Air Vent B-144 Plastic Dome, 1992.  
 Air Vent, Inc., Air Vent Wall-Mount Vents, 1992.  
 Air Vent, Inc., Air Vent Airhawk® SLA Slant Aluminum, 1992.  
 DCI Smart Vent, DCI Products, Inc., 2004-2007.  
 Trimline Building Products, Trimline® Shingle—Over Ridge Vents, 2005.  
 Cor-A-Vent, V-600E Ridge Vent, 2005.  
 Ridgeline Incorporated, Ridgeline® Ridge Vent, 1998.  
 Air Vent, Inc., Air Vent ShingleVent® II, 1992.  
 Air Vent, Inc., Air Vent ShingleVent® II-7, 1992.  
 Air Vent, Inc., Air Vent ShingleVent® II-9, 1992.

Air Vent, Inc., Air Vent ShingleVent® II-7A, 1992.  
 Air Vent, Inc., Air Vent ShingleVent® II-9A, 1992.  
 Air Vent, Inc., Air Vent VenturiVent Plus, 1992.  
 Roofing Contractor, “Product Focus—Focus On—Ventilation”, Mar. 2006.  
 Roofing Contractor, “Need Intake? Guaranteed Air Flow with Smart Vent”, May 2007.  
 Western Roofing Magazine, “Flexible Flashing for Tile Roofs”, Jan./Feb. 2006.  
 RCE, Inc., “A Well-built Roof Doesn’t Always Keep the Water Out, Balanced Attic Ventilation is Key;” Horvat, Marianne, Interface, Jul. 2004, Jul. 2004.  
 Cor-A-Vent, Inc., Balanced Ventilation, How It Works; The Cor-A-Vent System, 2005.  
 Technical University of Budapest, “Design, Structural And Building Physical Problems for Built-Up Garret Spaces,” Karacson, Sandor, et al.; Periodica Polytechnica Ser. Civil Eng.  
 Florida Solar Energy, Literature Review of the Impact and Need for Attic Ventilation in Florida Homes, Parker, Danny; Florida Solar Energy Center, May 31, 2005, May 31, 2005.  
 Millennium Metals, Inc., “Off Ridge Vent Installation,” Millennium Metals, Inc., Dec. 22, 2006.  
 Ridgeline Incorporated, “Installation Instructions for Shingled Roofs,” Ridgeline Ridge Vent System, Pre-2007.  
 RSI Magazine, “Attic Ventilation,” Products Spotlight; SmartVent, DCI Products Inc., Nov. 2002.  
 Benjamin Obdyke, Inc., Roll Vent®, 1991.  
 Greenstreak, Top CafTM, 1991.  
 North America Building Products, Inc., Ridgeline II®, 1991.  
 North America Building Products, Inc., Highpoint VentTM—Series 5, 1991.  
 The Solar Group, Inc., Easy-UpTM Shingle-Over Ridge Vent, 1991.  
 Browning Metal Products, VenturiVent PlusTM, 1991.  
 Lomanco, Inc., Sov-4®, 1991.  
 TRA-Mage, Inc., FlexVentTM, 2006.  
 Thompson Architectural Metals, Tamco Off-Ridge Roof Vent, 2009.  
 Atlas Roofing Corporation, Evolution Ridge Vent, 2007.

\* cited by examiner

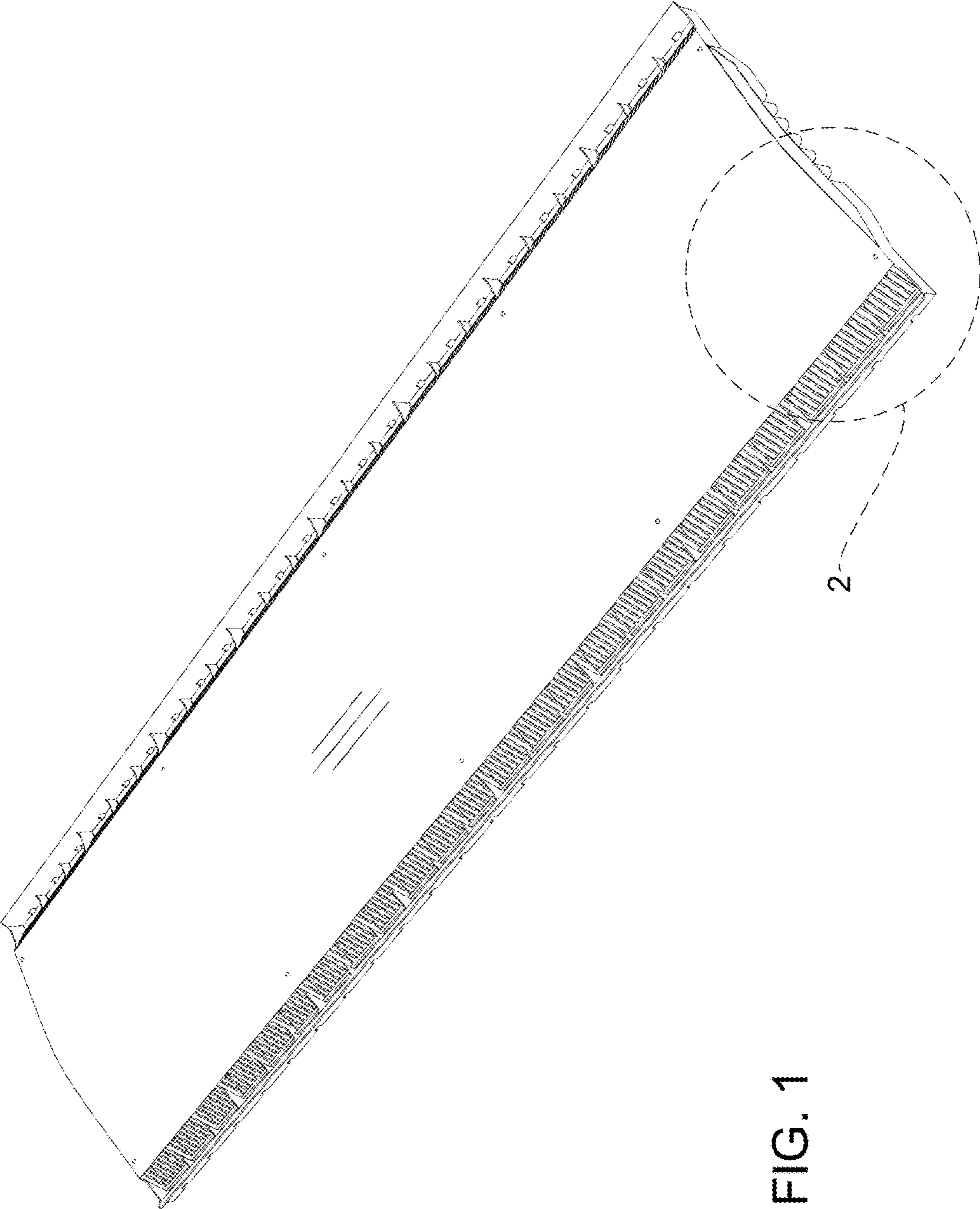


FIG. 1

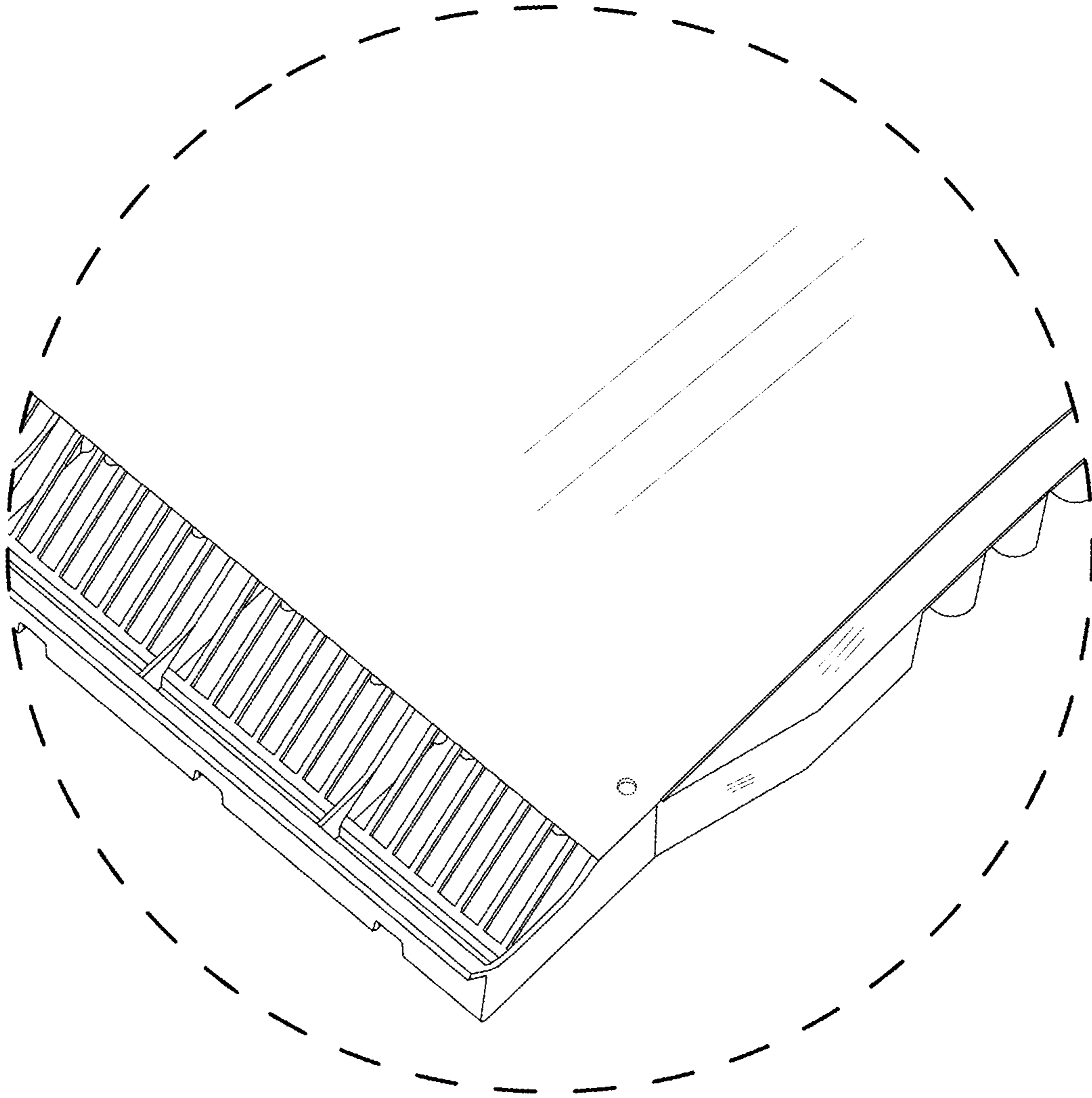


FIG. 2

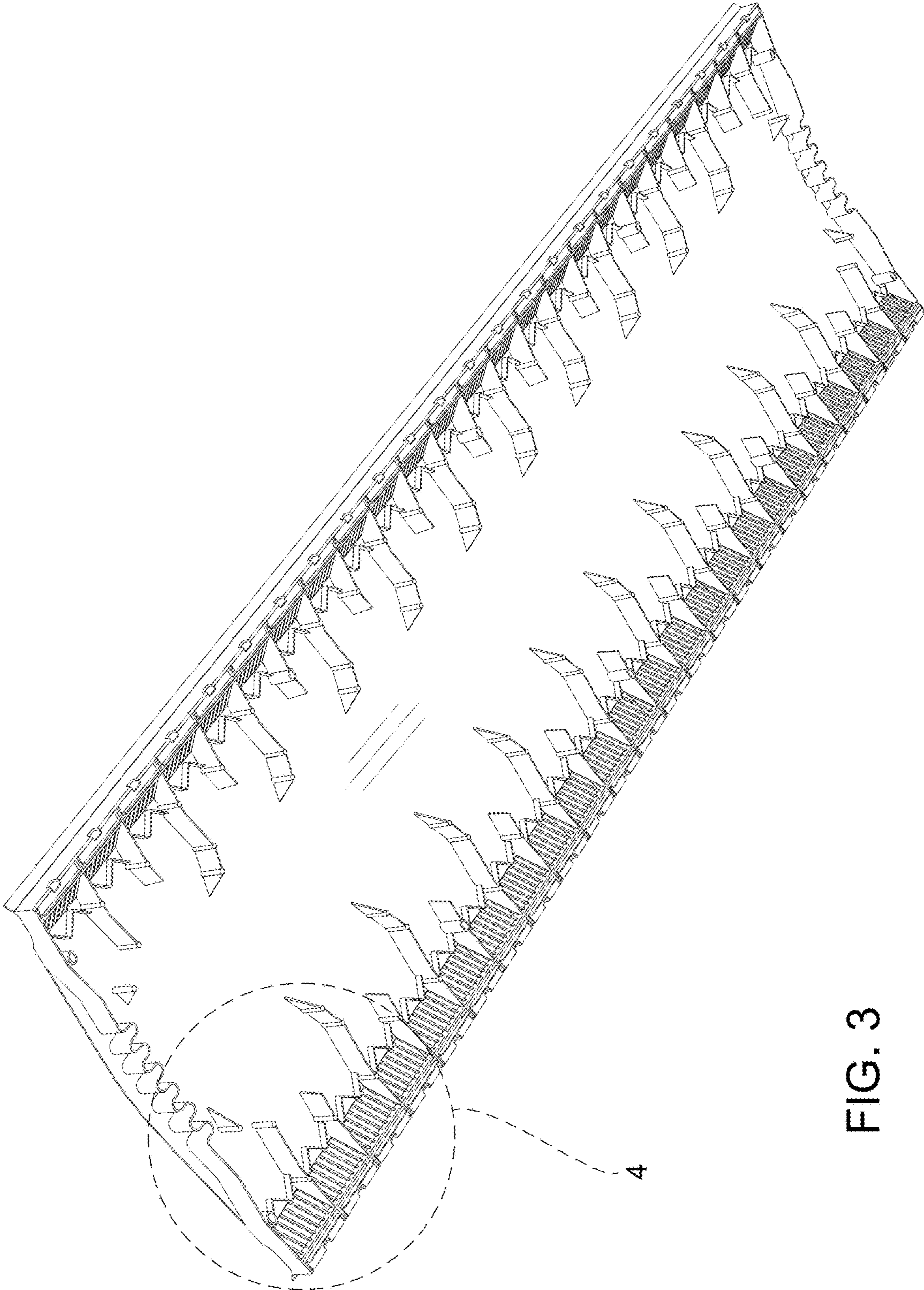


FIG. 3

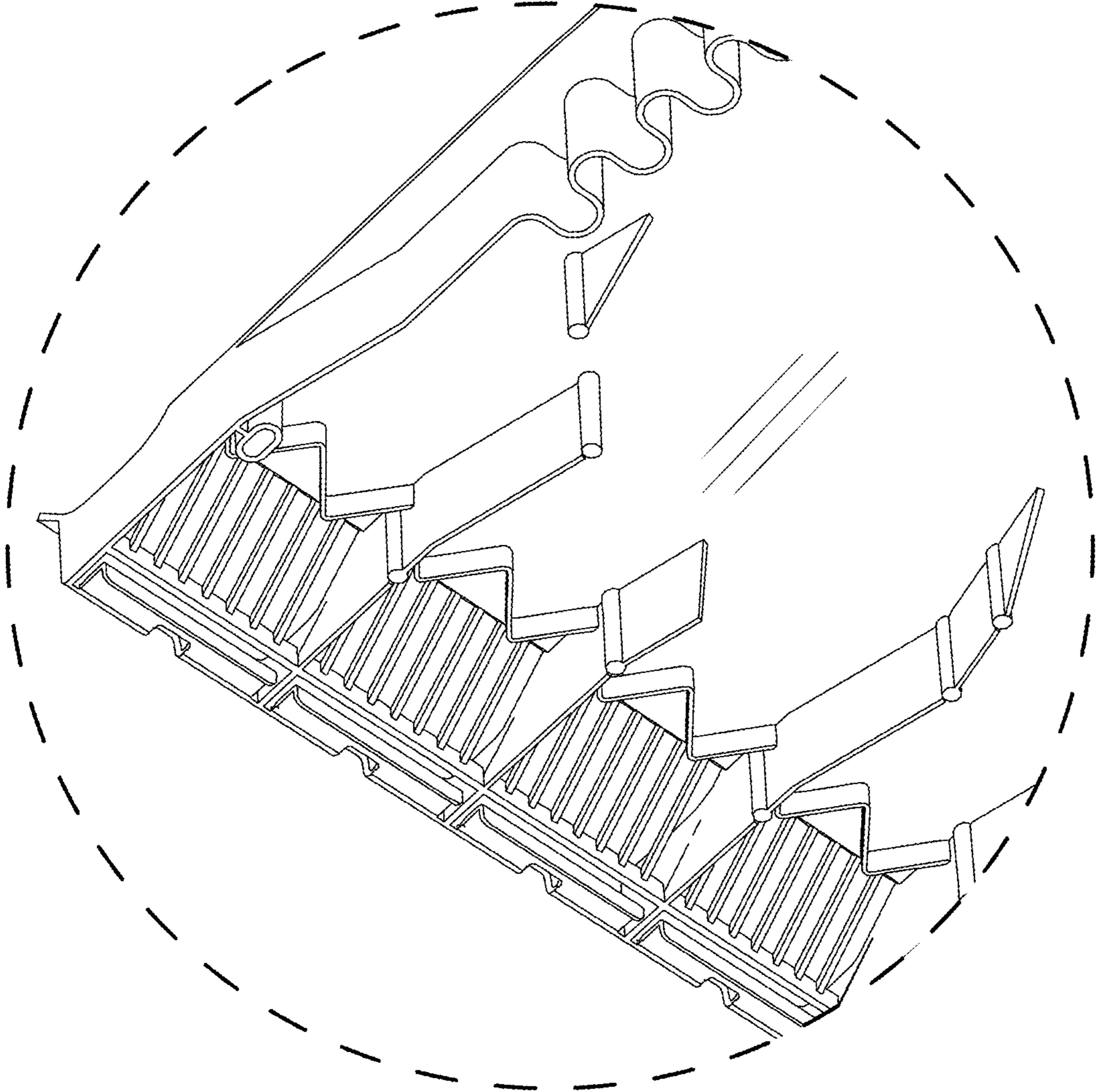


FIG. 4

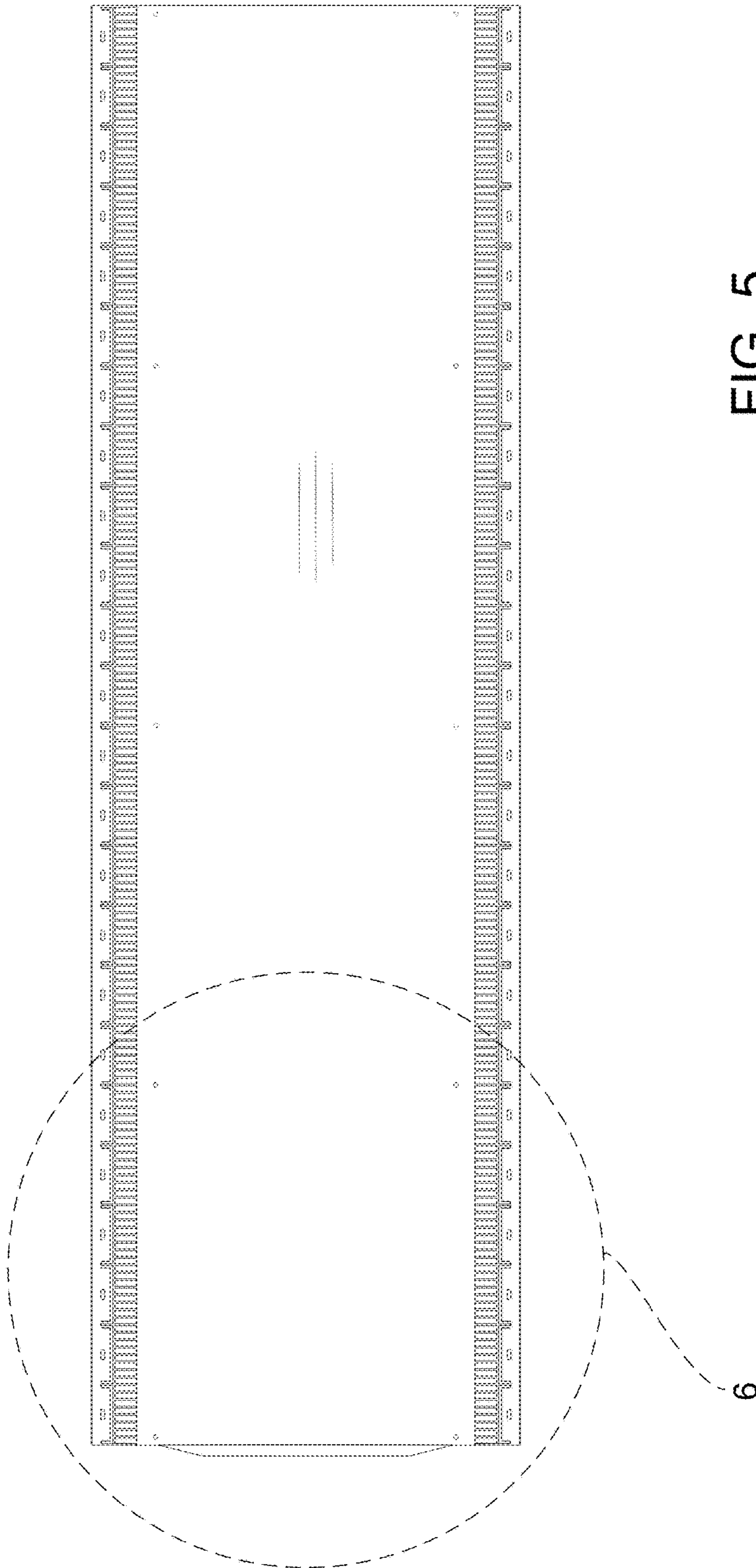
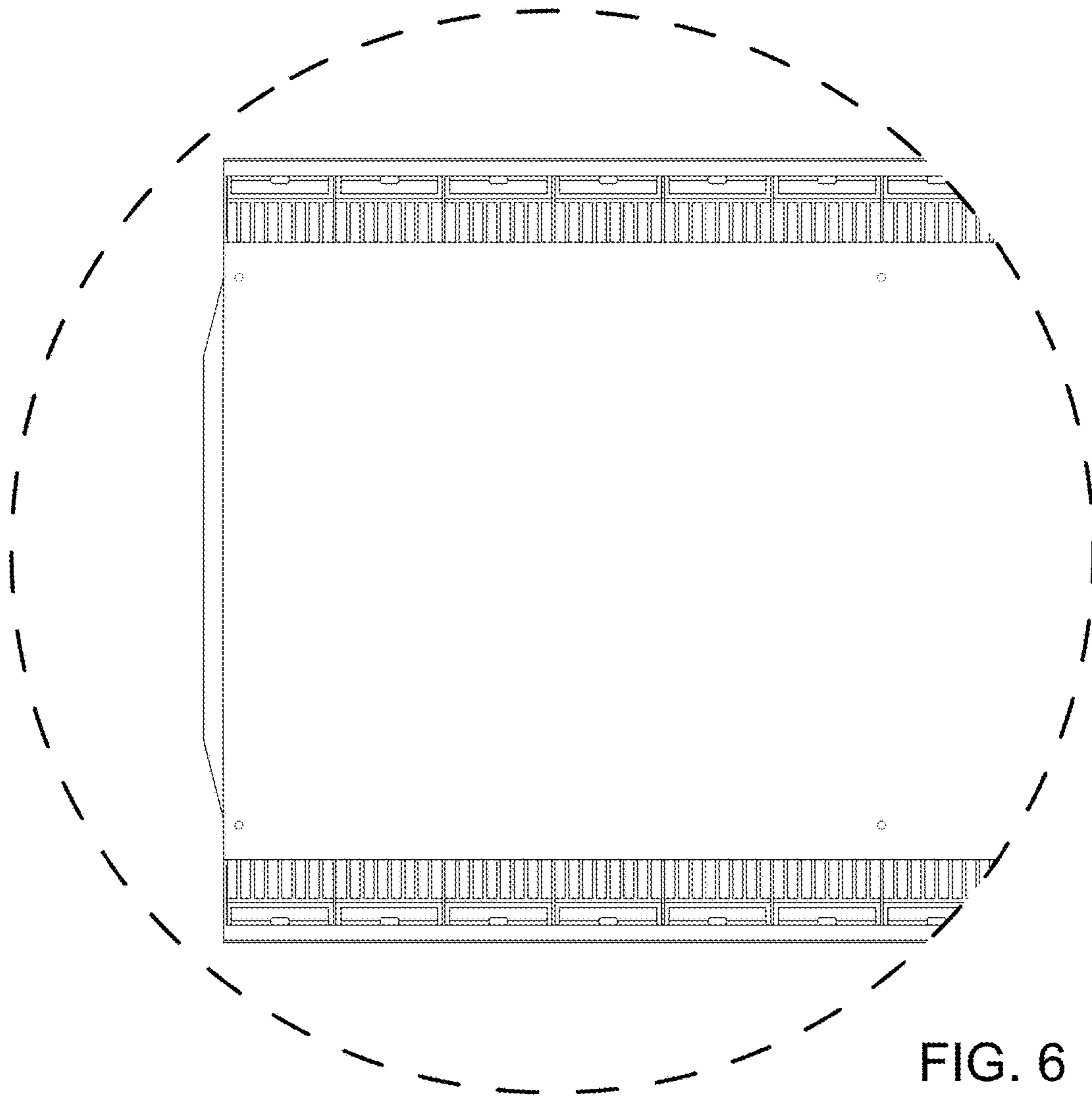


FIG. 5





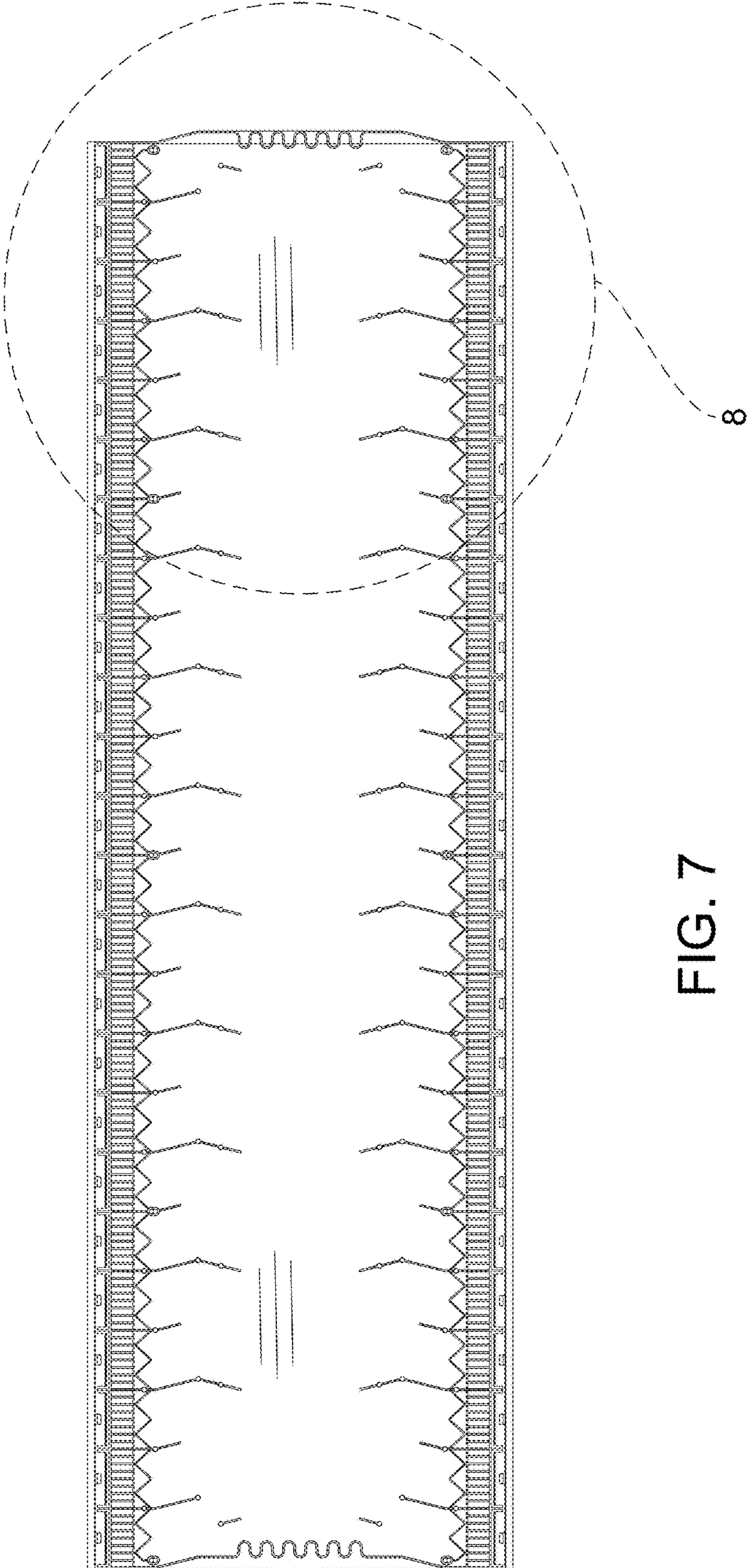


FIG. 7

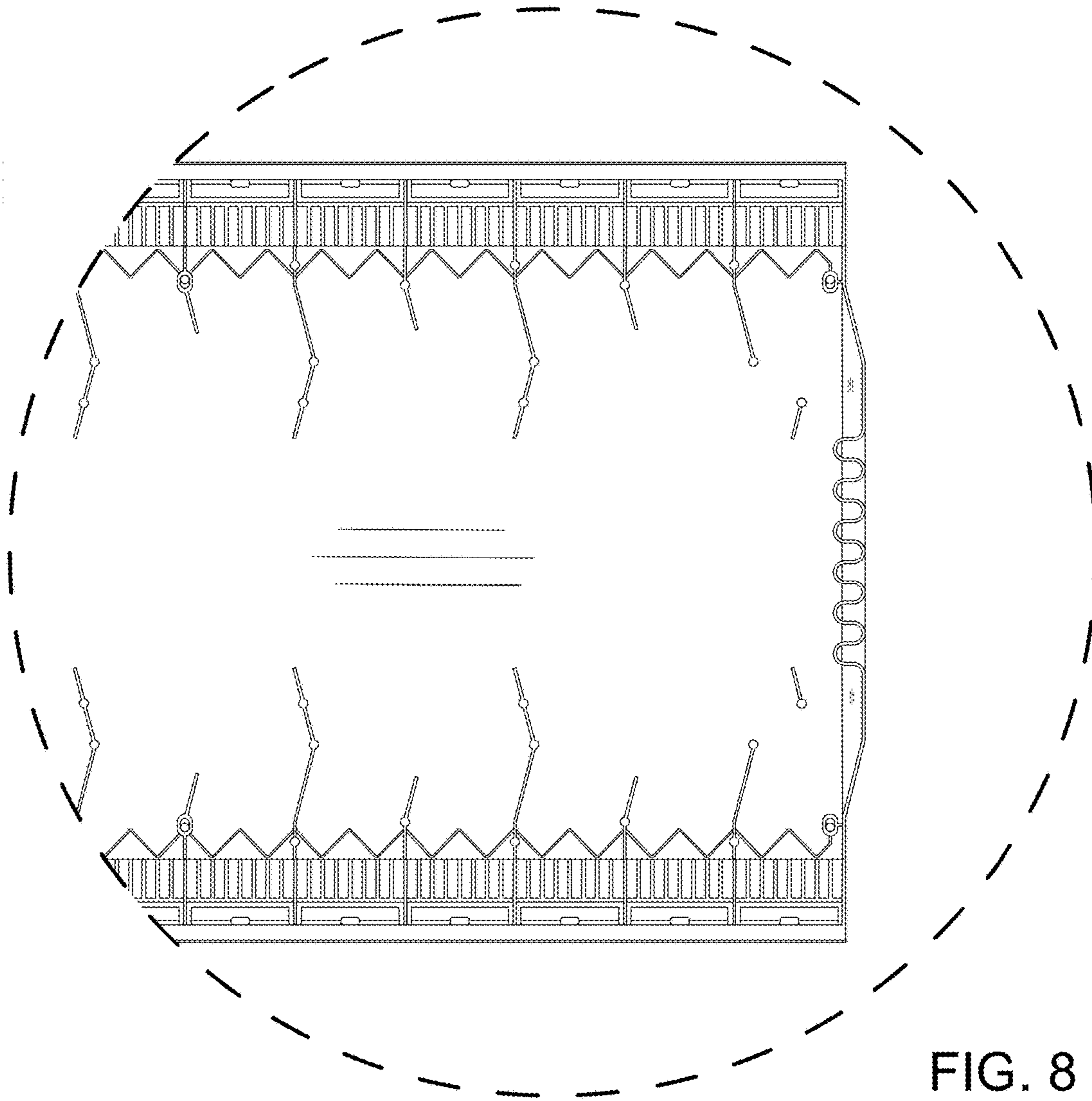


FIG. 8

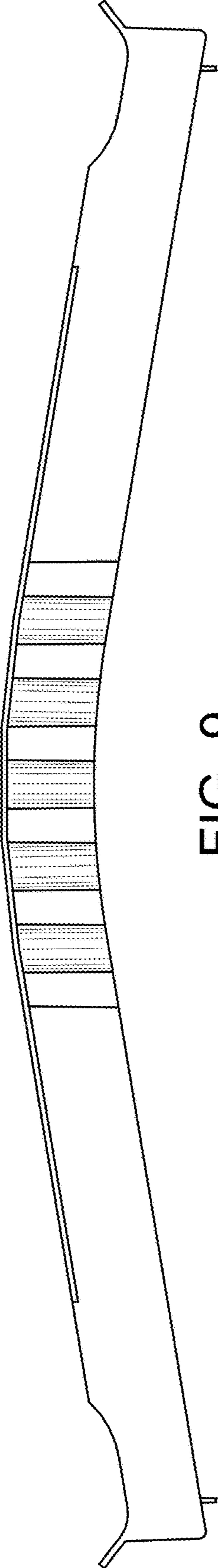


FIG. 9

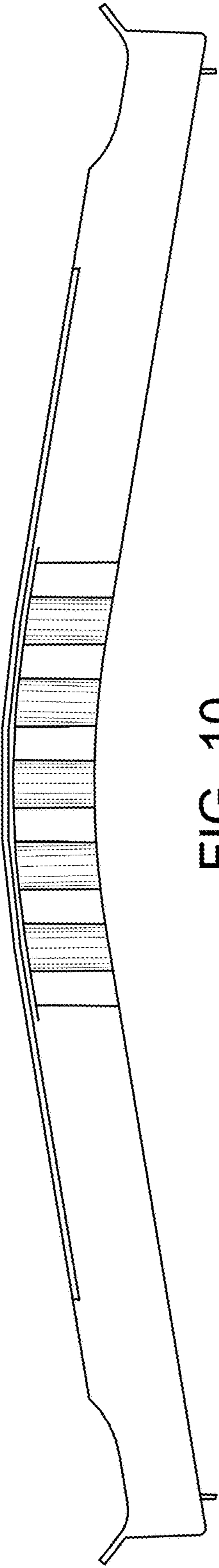


FIG. 10

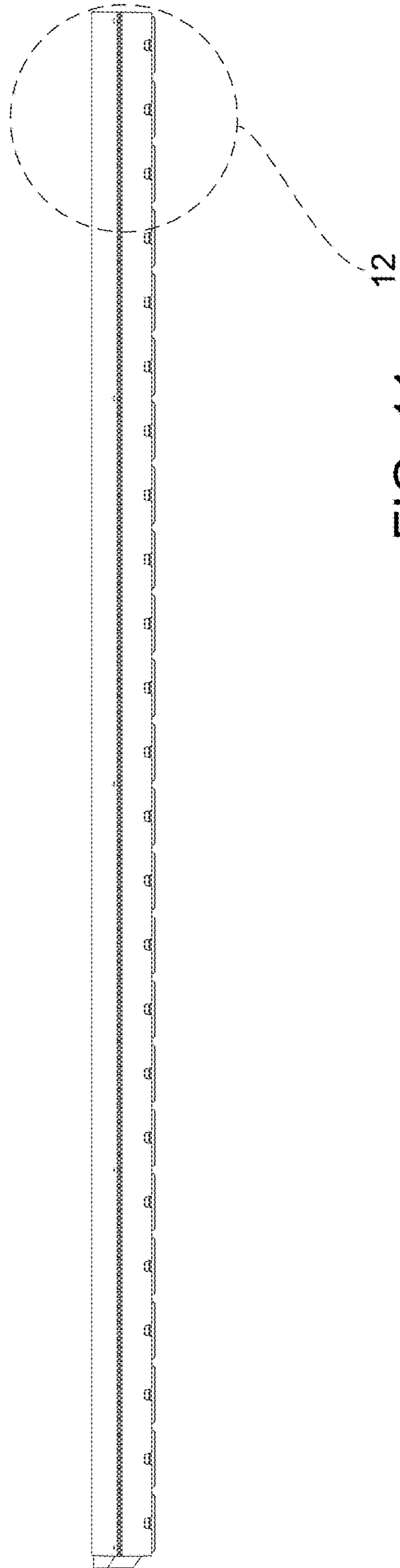


FIG. 11

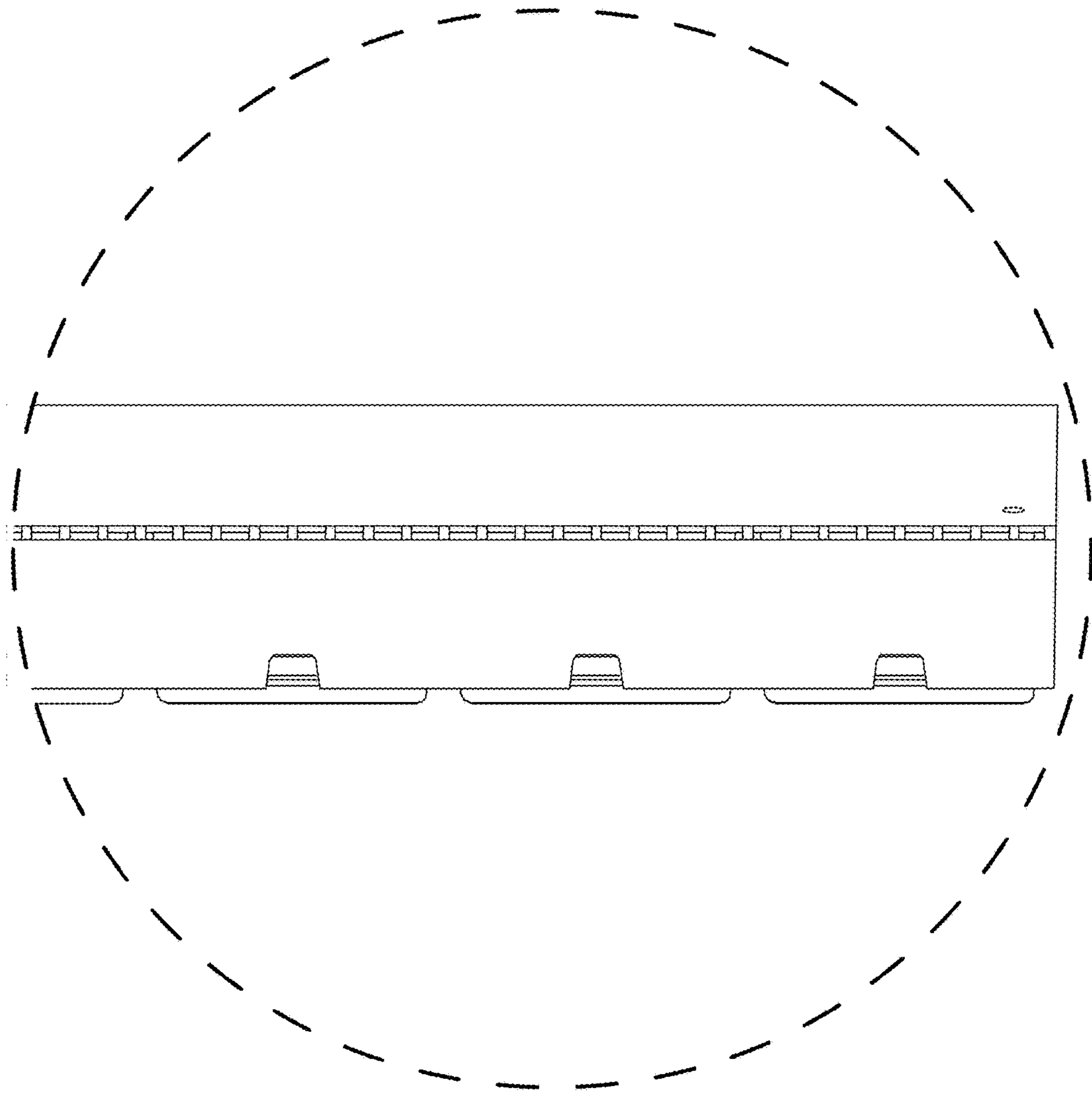


FIG. 12

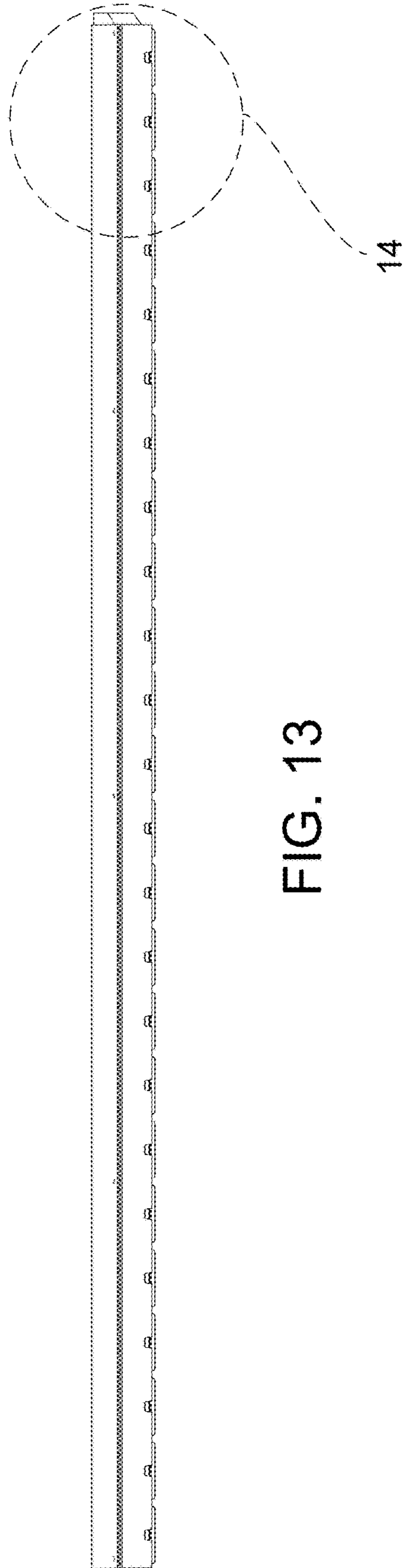


FIG. 13



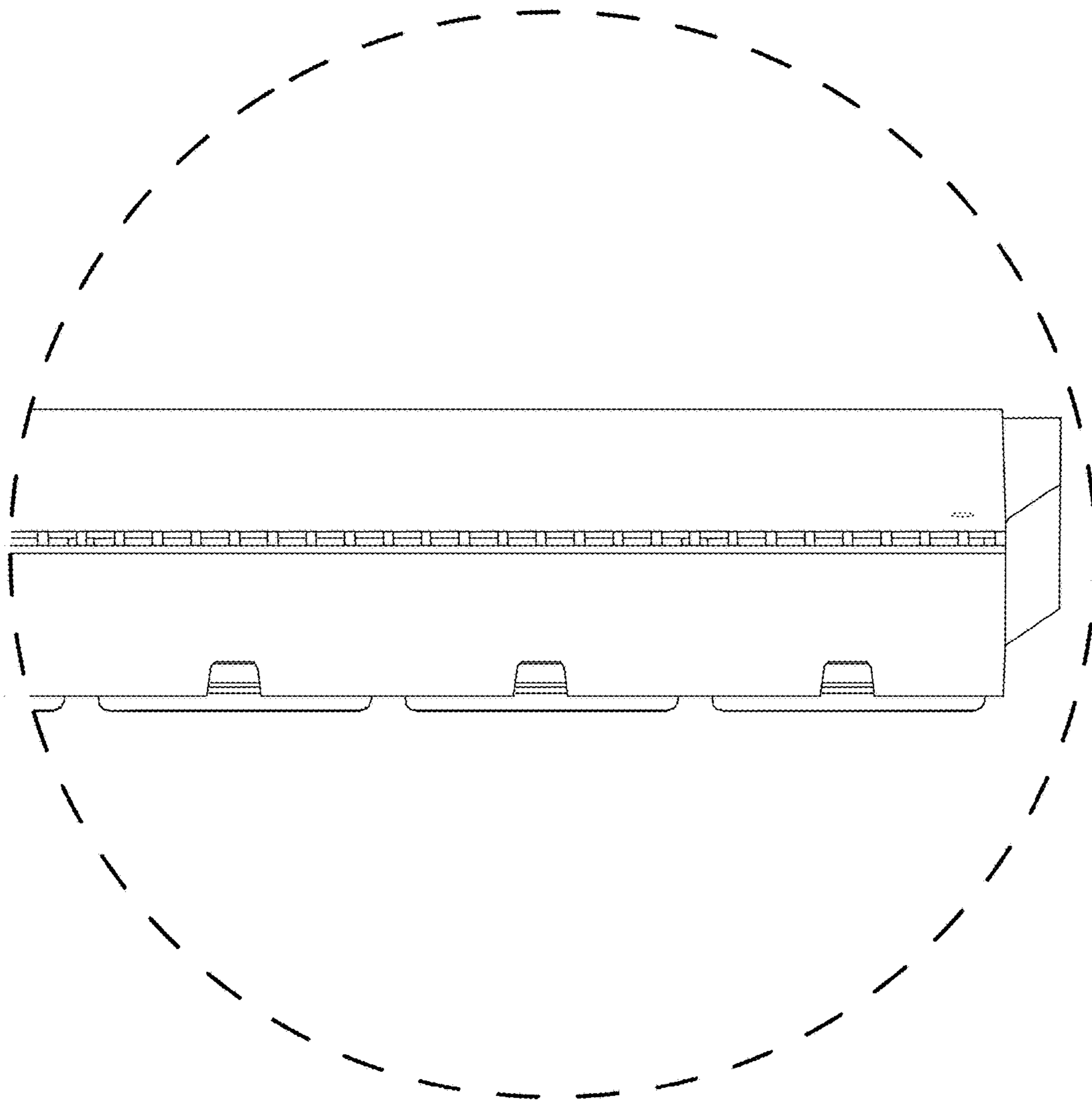


FIG. 14