



US00D777949S

(12) **United States Design Patent**
Fannan

(10) **Patent No.:** **US D777,949 S**
(45) **Date of Patent:** **** Jan. 31, 2017**

(54) **WINDOW COMPONENT EXTRUSION**

(71) Applicant: **Mikron Industries, Inc.**, Kent, WA
(US)

(72) Inventor: **Michael R. Fannan**, Pecatonica, IL
(US)

(73) Assignee: **Mikron Industries, Inc.**, Kent, WA
(US)

(**) Term: **14 Years**

(21) Appl. No.: **29/525,414**

(22) Filed: **Apr. 29, 2015**

(51) **LOC (10) Cl.** **25-01**

(52) **U.S. Cl.**
USPC **D25/124**

(58) **Field of Classification Search**
USPC D25/44, 48.7, 60, 119–125, 136–137;
52/204.1, 204.2, 204.5, 204.51, 204.55,
52/204.61, 204.62, 204.69, 204.7, 204.72,
52/206, 208, 209, 212, 213, 215, 579,
52/656.2, 656.4, 656.5, 656.6, 656.7,
52/800.13, 717.01, 793.1, 794.1; D34/35;
D20/42, 43, 44
CPC E06B 1/36; E06B 1/702; E06B 1/366;
E06B 1/524; E06B 1/68; E06B
1/04; E06B 1/28; E06B 1/30; E06B 3/305;
E06B 3/22; E06B 3/222; E06B
3/24; E06B 2003/66385
See application file for complete search history.

(56) **References Cited**

U.S. PATENT DOCUMENTS

D338,973 S * 8/1993 Cole D25/124
D379,529 S * 5/1997 DiGiorgio D25/124
D495,808 S * 9/2004 Habeck D25/119
D591,434 S * 4/2009 Campbell D25/124
D592,763 S * 5/2009 Campbell D25/124
D597,221 S * 7/2009 Campbell D25/124

D600,361 S * 9/2009 Campbell D25/124
D602,174 S * 10/2009 Franson D25/124
D603,532 S 11/2009 Lockbeam
D608,465 S * 1/2010 Franson D25/124
D691,739 S * 10/2013 Wickland D25/124
D693,492 S 11/2013 Wickland
D713,058 S * 9/2014 Kosonen D25/124
D713,555 S * 9/2014 Stankay D25/124
D714,468 S * 9/2014 Fannan D25/124
D718,878 S * 12/2014 Fannan D25/119
D720,084 S * 12/2014 Wickland D25/124
D720,085 S * 12/2014 Wickland D25/124
D724,762 S * 3/2015 Decicio D25/124
D724,766 S * 3/2015 Fannan D25/124
D725,295 S * 3/2015 Fannan D25/124
D727,537 S * 4/2015 Campbell D25/124
D732,204 S * 6/2015 Campbell D25/124
2005/0050815 A1 * 3/2005 Engebretson E06B 1/345
52/204.52

FOREIGN PATENT DOCUMENTS

CA 111226 10/2006

* cited by examiner

Primary Examiner — Cynthia Ramirez

Assistant Examiner — Llorellys Martinez-Rivera

(74) *Attorney, Agent, or Firm* — Zollinger & Burleson
Ltd.

(57) **CLAIM**

The ornamental design for a window component extrusion,
as shown and described.

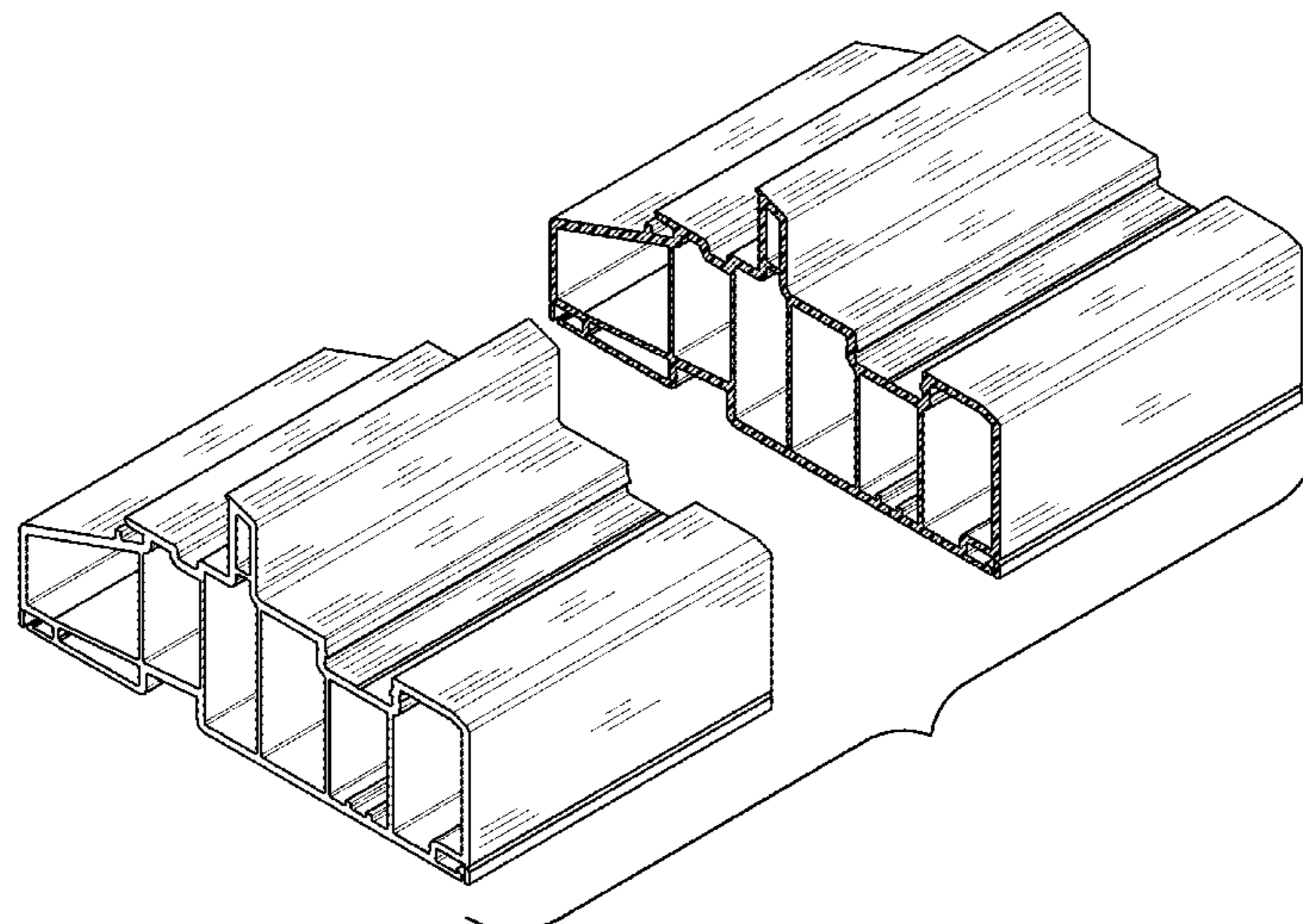
DESCRIPTION

FIG. 1 is a top perspective view of a window component
extrusion; and,

FIG. 2 is a bottom perspective view of the window compo-
nent extrusion shown in FIG. 1.

The window component extrusion is shown with a symbolic
break in its length. The appearance of any portion of the
window component extrusion between the break lines forms
no part of the claimed design.

1 Claim, 2 Drawing Sheets



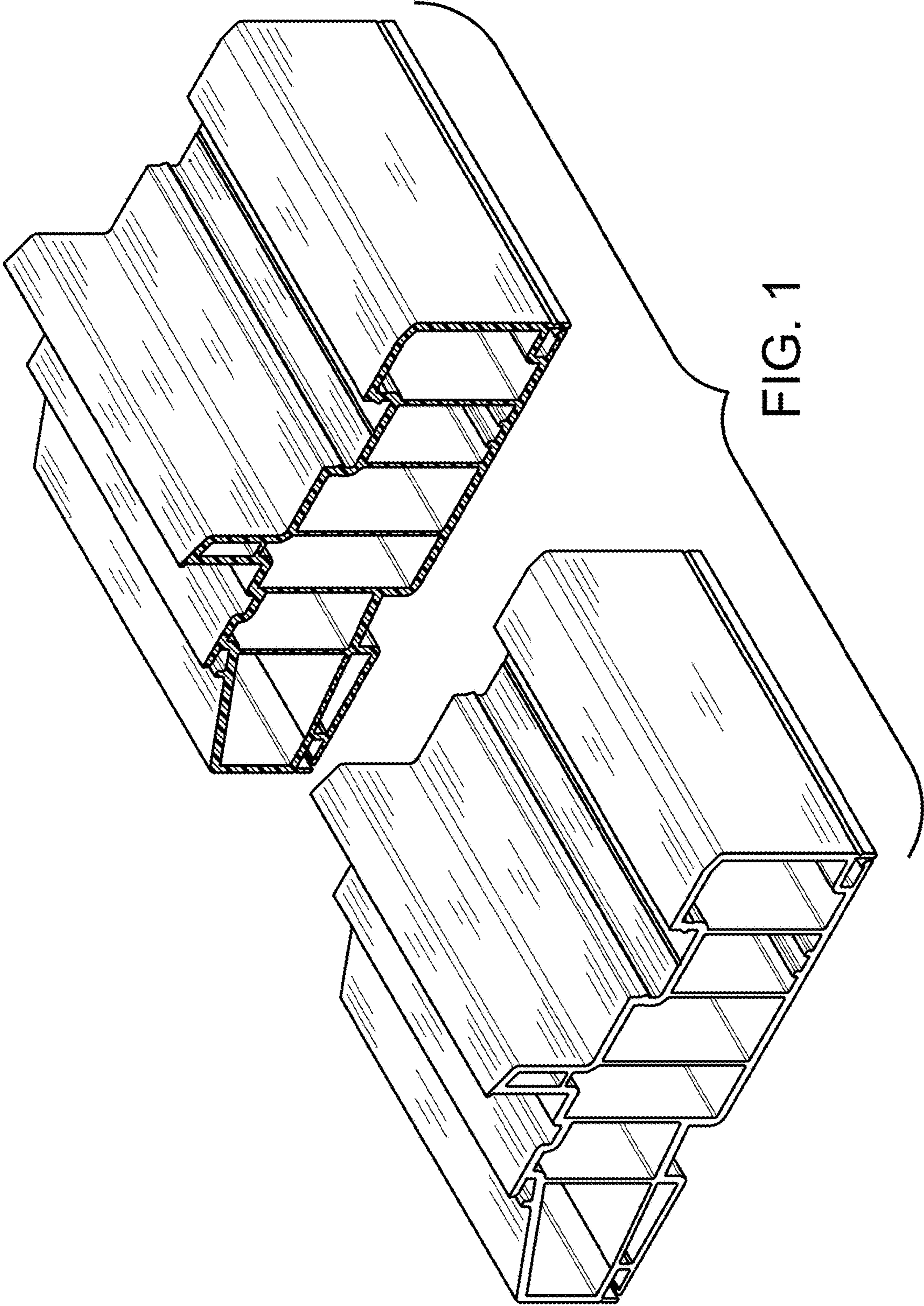


FIG. 1

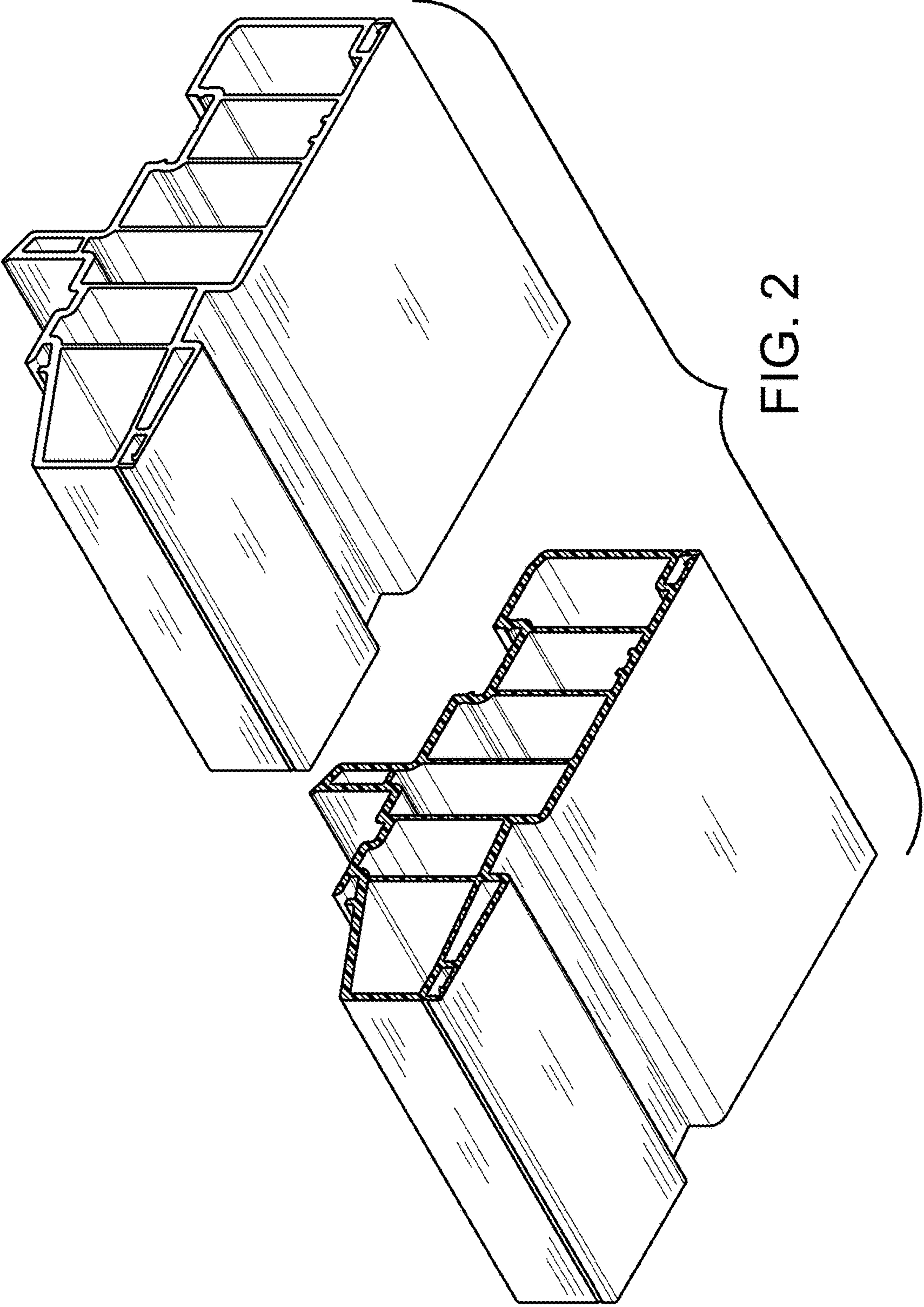


FIG. 2