



US00D777942S

(12) **United States Design Patent**  
**Rivas**

(10) **Patent No.:** **US D777,942 S**

(45) **Date of Patent:** **\*\* Jan. 31, 2017**

(54) **PROTECTIVE BARRIER**

(71) Applicant: **José Lopez Rivas**, Noalla (ES)

(72) Inventor: **José Lopez Rivas**, Noalla (ES)

(\*\*) Term: **14 Years**

(21) Appl. No.: **29/516,468**

(22) Filed: **Feb. 3, 2015**

(51) **LOC (10) Cl.** ..... **25-02**

(52) **U.S. Cl.**  
USPC ..... **D25/38.1**; D25/119

(58) **Field of Classification Search**  
USPC ..... D25/38.1, 39, 40, 41.1, 42, 43, 44,  
45, D25/46, 119

CPC ..... A01K 3/002; A01K 1/0017; A01K 3/005;  
E01B 17/00; E06B 11/00

See application file for complete search history.

(56) **References Cited**

**U.S. PATENT DOCUMENTS**

- 3,140,885 A \* 7/1964 Bastis ..... E01F 15/0423  
403/363
- 3,603,562 A \* 9/1971 Glaesener ..... E01F 15/0407  
256/13.1
- 4,330,106 A \* 5/1982 Chisholm ..... E01F 9/0182  
256/13.1
- 4,460,161 A \* 7/1984 Grenga ..... E01F 15/0423  
116/63 R

- D294,867 S \* 3/1988 Meshulam ..... D25/119
- 5,069,576 A \* 12/1991 Pomero ..... E01F 15/0438  
256/13.1
- 7,014,389 B1 \* 3/2006 Siblik ..... E01F 9/03  
116/63 P
- D660,461 S \* 5/2012 Kotin ..... D25/119
- D675,750 S \* 2/2013 King ..... D25/122
- 8,534,952 B2 \* 9/2013 Vladislavic ..... E01F 9/03  
256/13.1
- 2008/0265231 A1 \* 10/2008 King ..... E01F 15/0438  
256/13.1

**OTHER PUBLICATIONS**

<http://cenpart.co.uk/barriers/armco-barrier/>—Downloaded Jan. 5, 2016.\*

\* cited by examiner

*Primary Examiner* — Manpreet Matharu  
*Assistant Examiner* — Mojtaba Tehrani

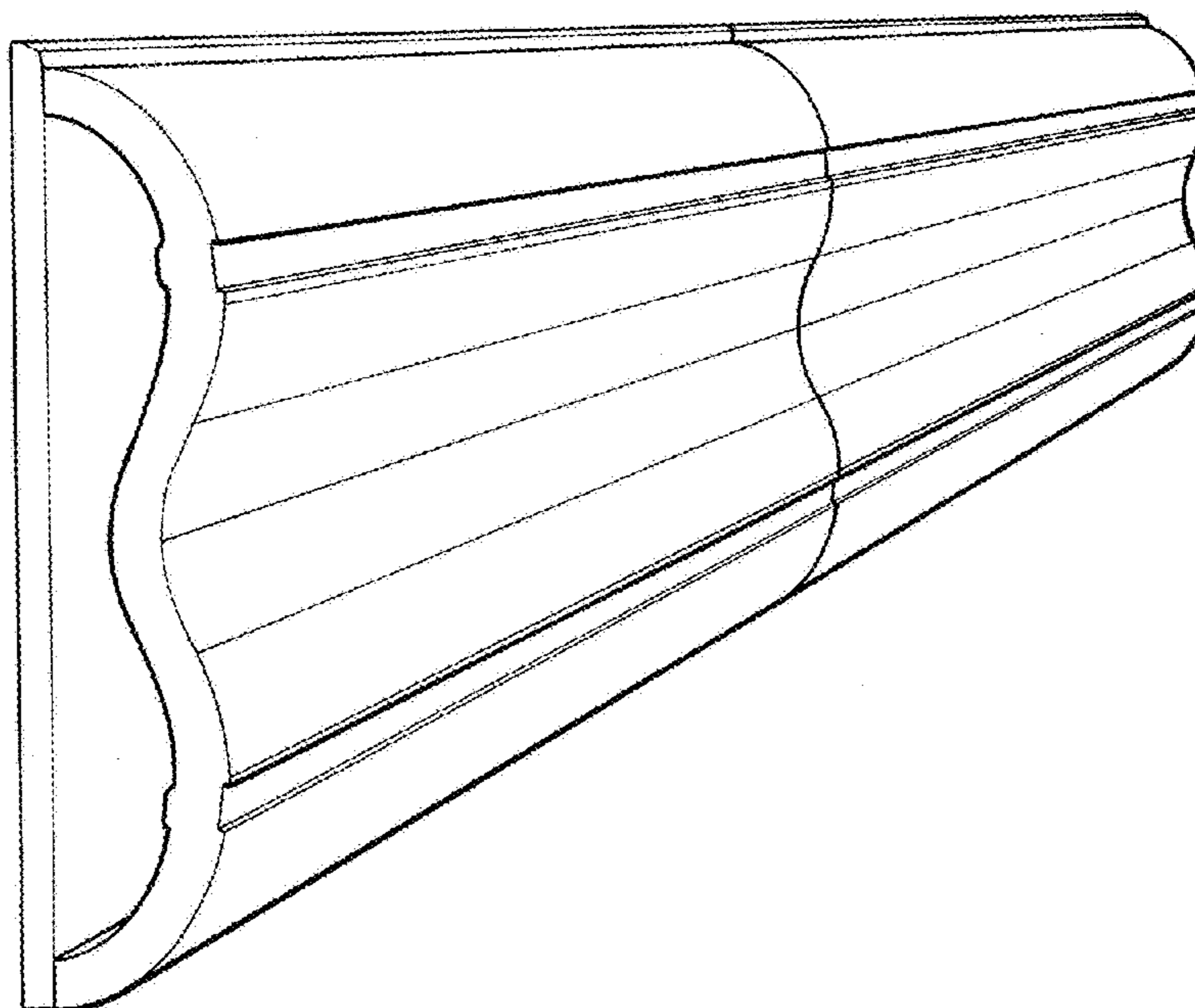
(57) **CLAIM**

The ornamental design for a protective barrier, as shown.

**DESCRIPTION**

FIG. 1 is a front perspective view of a protective barrier, showing my new design; and, FIG. 2 is a rear perspective view thereof. The broken line in the figure drawings represents unclaimed environment only and forms no part of the claimed design.

**1 Claim, 2 Drawing Sheets**



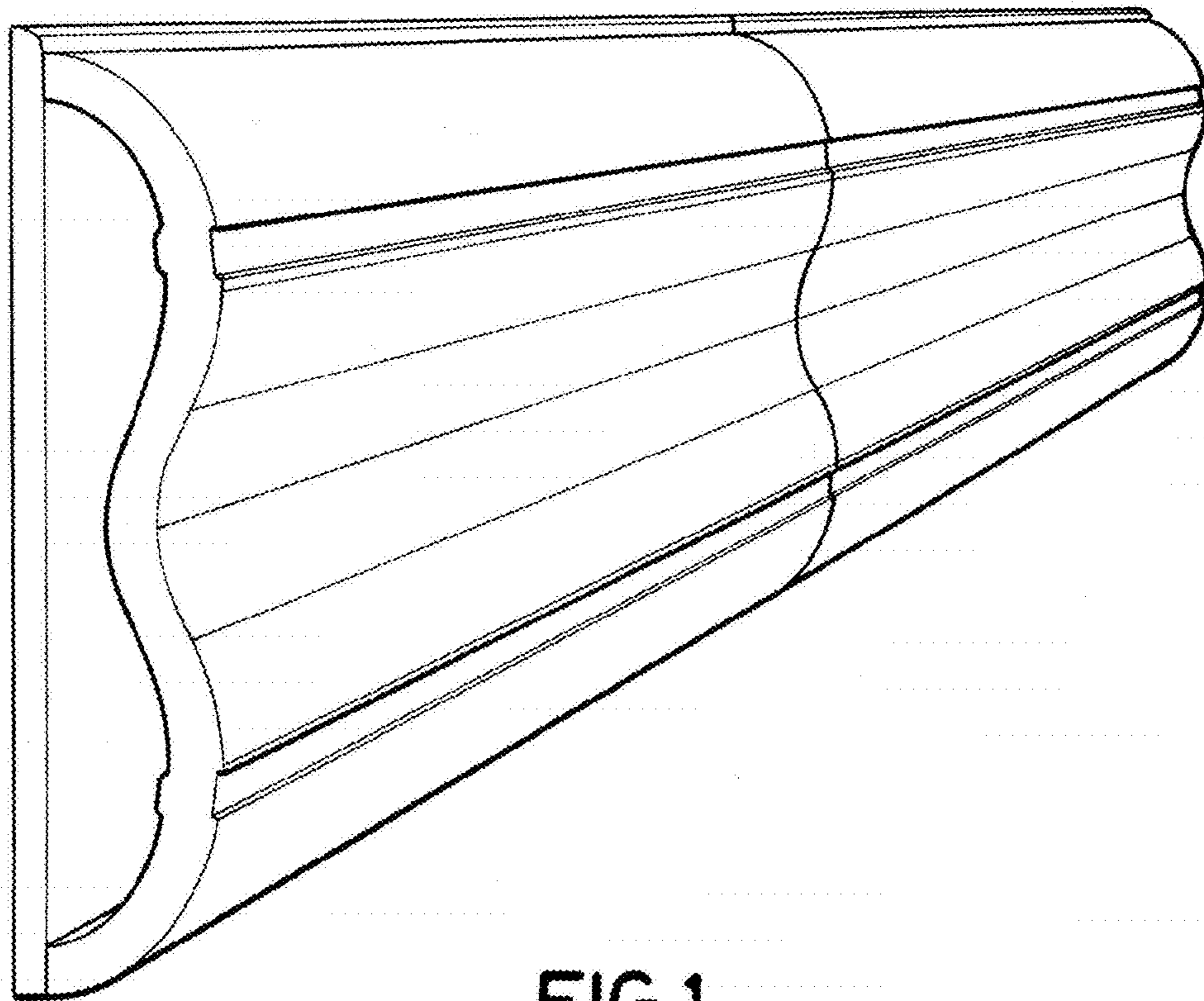


FIG.1

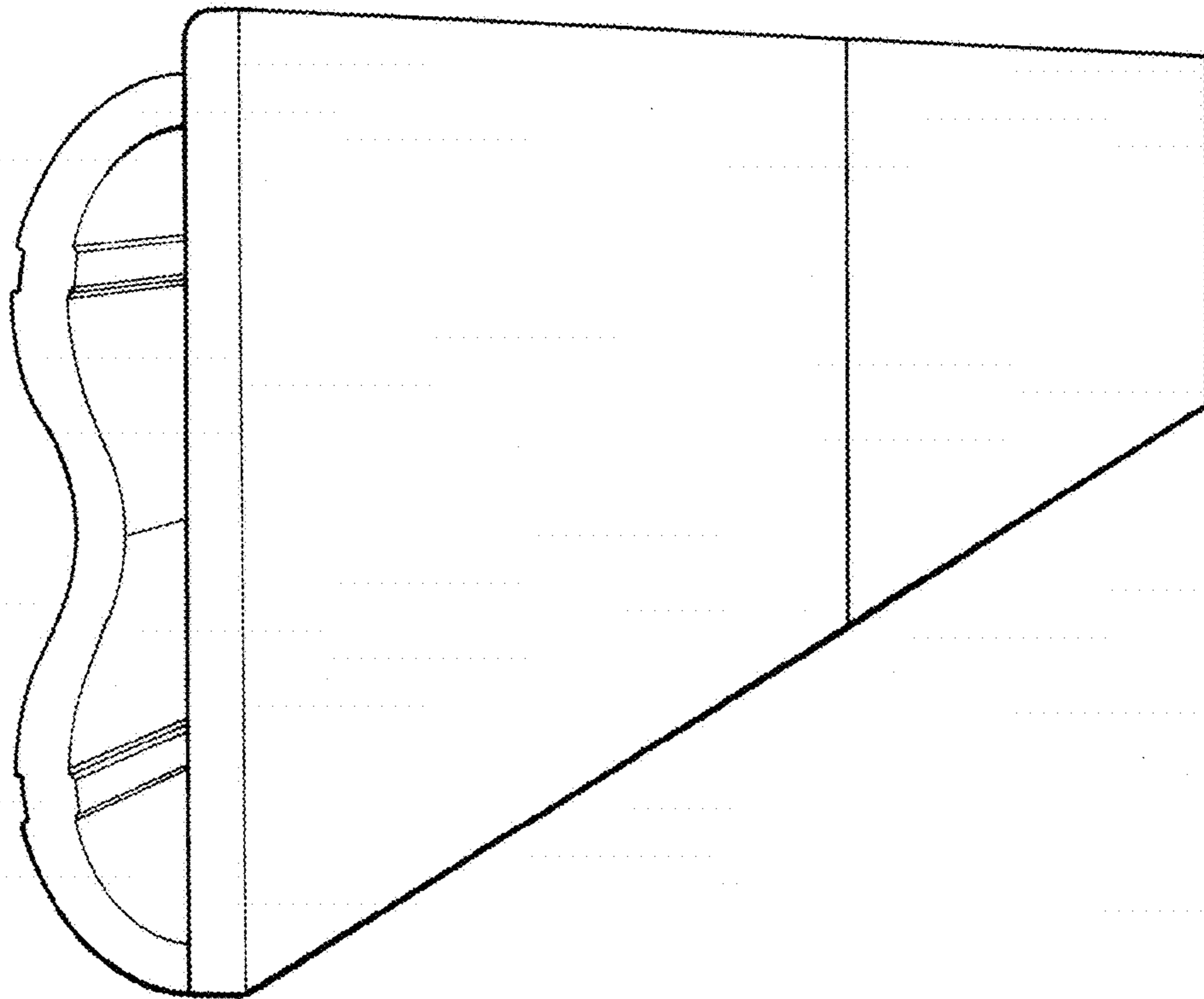


FIG. 2