



US00D777941S

(12) **United States Design Patent** (10) **Patent No.:** **US D777,941 S**
Piramoon (45) **Date of Patent:** **** Jan. 31, 2017**

(54) **CENTRIFUGE BOTTLE**
(71) Applicant: **Fiberlite Centrifuge, LLC**, Santa Clara, CA (US)
(72) Inventor: **Sina Piramoon**, San Jose, CA (US)
(73) Assignee: **Fiberlite Centrifuge, LLC**, Santa Clara, CA (US)
(**) Term: **15 Years**

2,307,390 A 1/1943 Chew
2,549,225 A 4/1951 Moy
3,410,435 A 11/1968 Kopczynski
3,434,615 A * 3/1969 Barletta B01L 3/5021
422/916
4,364,903 A * 12/1982 Bittings B01L 3/5082
422/913
D267,779 S * 2/1983 Roth D9/434
D267,780 S * 2/1983 Walter D9/434
4,426,295 A * 1/1984 Evans B01D 29/05
210/772
4,469,235 A 9/1984 Parker
(Continued)

(21) Appl. No.: **29/533,513**

FOREIGN PATENT DOCUMENTS

(22) Filed: **Jul. 17, 2015**
(51) **LOC (10) Cl.** **24-02**
(52) **U.S. Cl.**

JP 5876154 A 5/1983

USPC **D24/224**

OTHER PUBLICATIONS

(58) **Field of Classification Search**

Thermo Fisher Scientific Inc., Thermo Scientific Fiberlite Carbon Fiber Rotors, dated 2010, 2011, 2012, 2013 (16 pages).

USPC D24/216, 219, 222-232, 121; 215/247, 215/230, 305-306, 273, 237, 204, 355, 215/276, 344; 422/300, 297, 500, 509, 215/547-566, 422/534, 501, 913, 916, 422/918; D9/559-560, 520-521, 557-558, D9/434-435, 531, 452-453, 443, D9/448-449; 210/91, 772; 206/443, 446, 206/528, 438, 557, 562-563, 363-365; D23/250, 252; D8/25, 29, 307; D7/392.1, D7/397-398, 589, 392; 494/12; D12/197; 220/732

Primary Examiner — T. Chase Nelson
Assistant Examiner — Mark Cavanna
(74) *Attorney, Agent, or Firm* — Wood Herron & Evans LLP

CPC .. A61L 2/26; B01L 2300/0816; B01L 3/5021; B01L 3/50825; B01L 3/5082; B01L 3/5085; B01L 3/505; B01L 9/06; B01L 3/5457; B01L 3/502; A47F 5/0025; B65D 85/20; B65D 85/42; B65D 71/72; B65D 47/08; B65D 41/3495; B01D 33/15; B01D 29/05

(57) **CLAIM**

The ornamental design for a centrifuge bottle, as shown and described.

See application file for complete search history.

DESCRIPTION

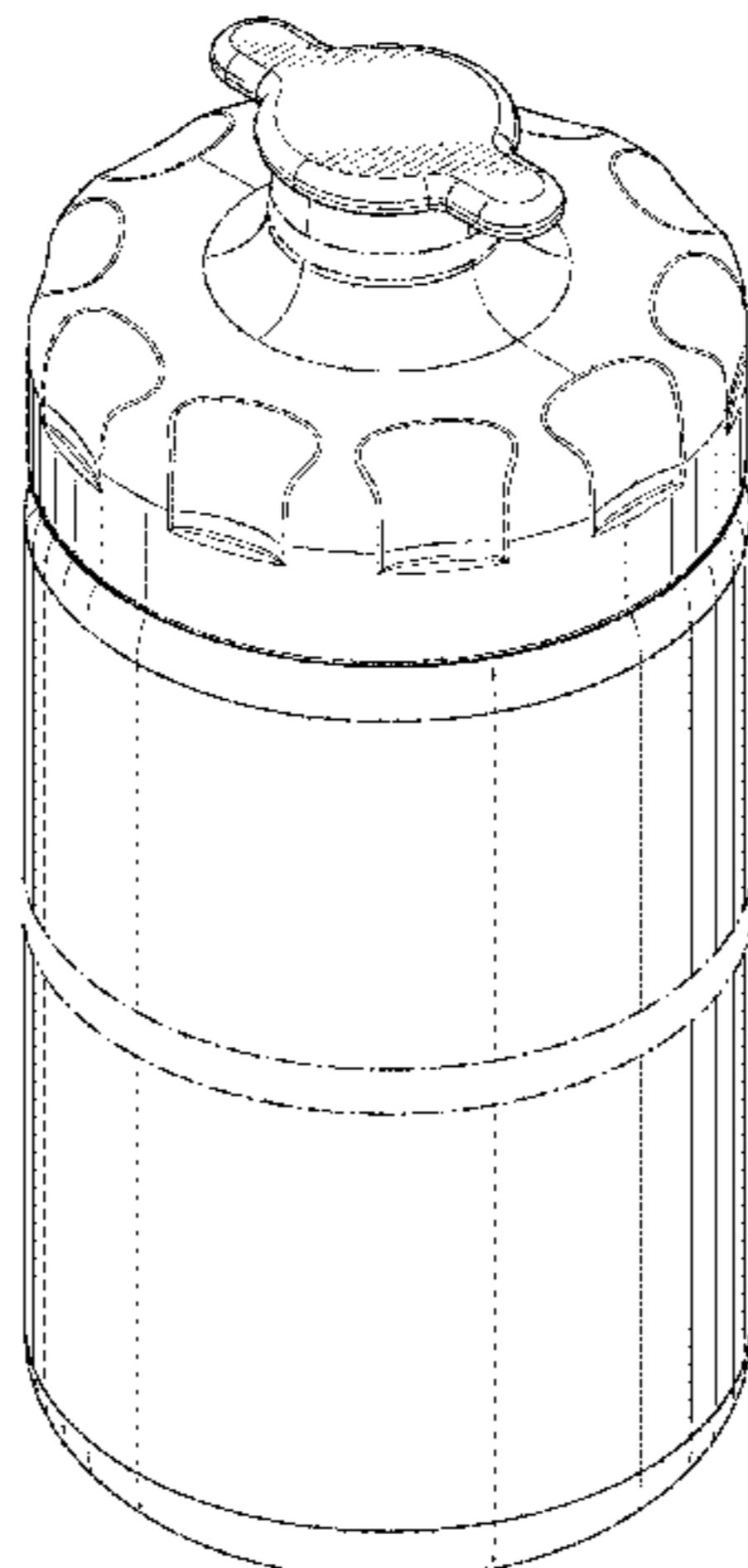
(56) **References Cited**

FIG. 1 is an isometric view of a centrifuge bottle of my new design;
FIG. 2 is a front elevation view of the centrifuge bottle of FIG. 1, the rear view being identical thereto;
FIG. 3 is a side elevation view of the centrifuge bottle of FIG. 1, the other side view being identical thereto;
FIG. 4 is a top elevation view of the centrifuge bottle of FIG. 1; and,
FIG. 5 is a bottom elevation view of the centrifuge bottle of FIG. 1.

U.S. PATENT DOCUMENTS

1,665,602 A 4/1928 Netherland
2,078,743 A 4/1937 Traum

(Continued)



The centrifuge bottle is shown with symbolic breaks in its length. The appearance of any portion of the article between the break lines forms no part of the claimed design.

1 Claim, 4 Drawing Sheets

(56)

References Cited

U.S. PATENT DOCUMENTS

D278,653 S * 4/1985 Savitz D24/224
 D302,722 S * 8/1989 Baxter D24/224
 D307,052 S * 4/1990 Baxter D24/224
 D332,919 S * 2/1993 Turnbull D9/548
 5,184,740 A 2/1993 Mandrell, II et al.
 D342,448 S * 12/1993 Ritcey D9/435
 D349,858 S * 8/1994 Lonczak D9/558
 D351,793 S 10/1994 Stoller
 5,382,409 A * 1/1995 Baxter B01L 3/5082
 220/732
 D357,730 S * 4/1995 Saperstein D23/252
 5,431,305 A 7/1995 Kaminski
 D367,613 S 3/1996 Weiler
 D380,387 S * 7/1997 Weiler D9/559
 D386,955 S * 12/1997 Jones D8/25
 5,704,502 A 1/1998 Greenfield
 D401,115 S * 11/1998 Huang D7/589
 5,899,349 A 5/1999 Moore
 5,941,404 A 8/1999 Charrette
 6,062,407 A 5/2000 Moore
 D434,294 S * 11/2000 Bernel D8/29
 6,253,942 B1 7/2001 Elias
 D447,419 S * 9/2001 Jaketic D9/517
 D453,573 S * 2/2002 Lafond D24/224
 D462,246 S * 9/2002 Skeens D8/25
 6,811,047 B1 11/2004 Hicks et al.

D511,457 S 11/2005 Biesecker et al.
 D573,475 S * 7/2008 Nottingham D9/560
 D575,580 S * 8/2008 Germany D7/392.1
 D580,522 S * 11/2008 Zhang D23/250
 D607,731 S * 1/2010 Soliman D9/557
 D614,557 S * 4/2010 Wu D12/197
 D621,705 S * 8/2010 Breckan D9/443
 D621,706 S * 8/2010 Breckan D9/443
 D621,707 S * 8/2010 Breckan D9/443
 D630,043 S * 1/2011 Taggart D7/392
 D636,264 S * 4/2011 Wassum D9/453
 D636,678 S * 4/2011 Baird D24/224
 D637,492 S * 5/2011 Baird D24/224
 D640,552 S * 6/2011 Eiteljorg D9/443
 D640,553 S * 8/2011 Eiteljorg D9/443
 7,988,007 B2 8/2011 Baughman et al.
 8,002,131 B2 8/2011 Karabin
 8,105,556 B2 1/2012 Romauskas et al.
 8,132,685 B2 * 3/2012 Wellman B65D 41/3495
 215/344
 D658,437 S * 5/2012 Johnson D7/397
 8,215,508 B2 7/2012 Baird et al.
 D687,304 S * 8/2013 Tanner D24/121
 D694,423 S * 11/2013 Klein D24/219
 8,616,394 B2 12/2013 Kim
 8,668,098 B2 3/2014 Wand
 D715,147 S * 10/2014 Ginzburg D9/449
 D723,181 S * 2/2015 Kawamura D24/224
 D727,726 S * 4/2015 Friedman D9/443
 D731,324 S * 6/2015 Li D9/552
 D732,684 S * 6/2015 Ooi D24/224
 9,114,407 B2 * 8/2015 Kitazawa B01L 3/5021
 D739,204 S * 9/2015 Arthurs D8/307
 D757,516 S * 5/2016 Nesbitt D8/307
 2009/0054221 A1 * 2/2009 Baird B01L 3/5021
 494/12
 2010/0308006 A1 12/2010 Walker-Smith
 2011/0220607 A1 9/2011 Mukunoki

* cited by examiner

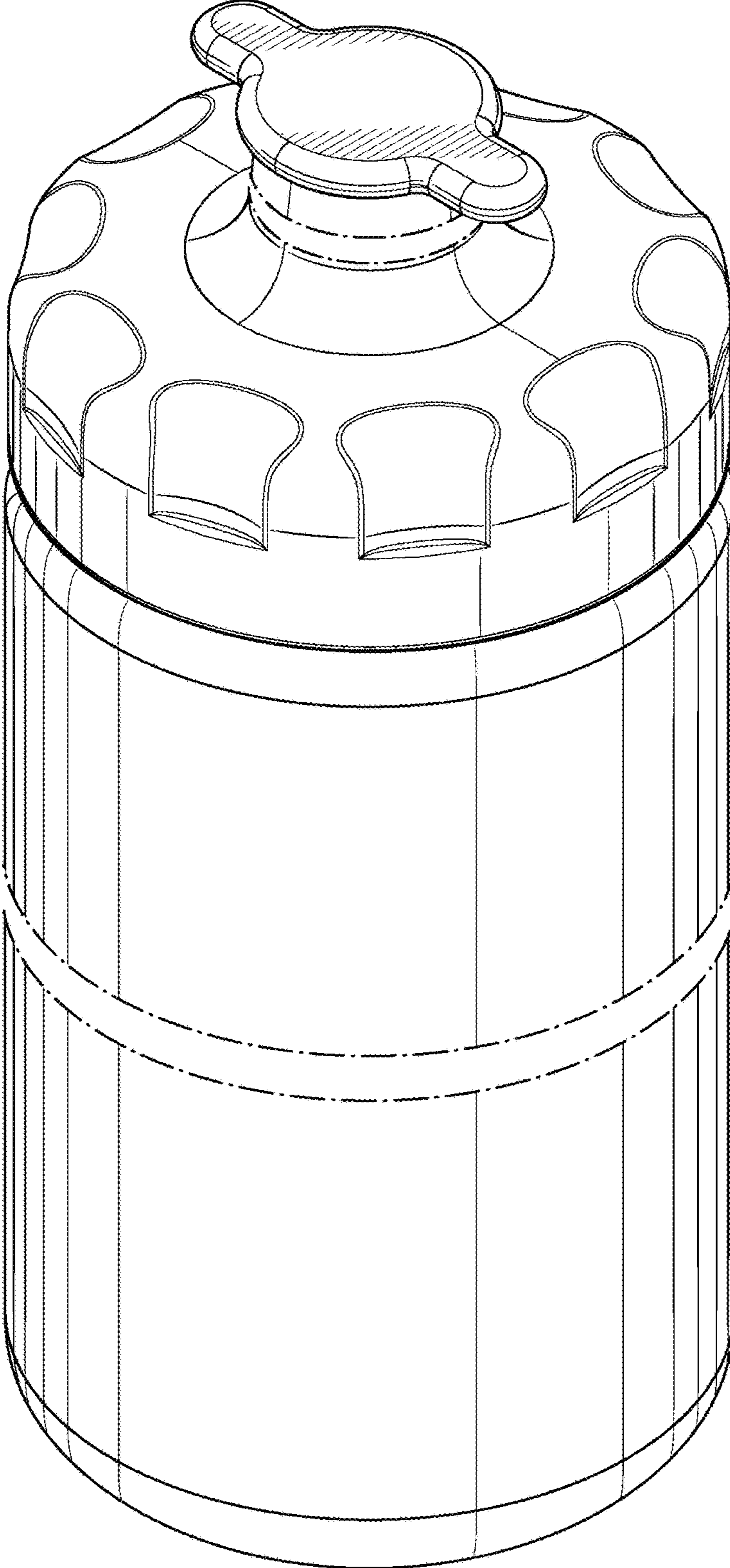


FIG. 1

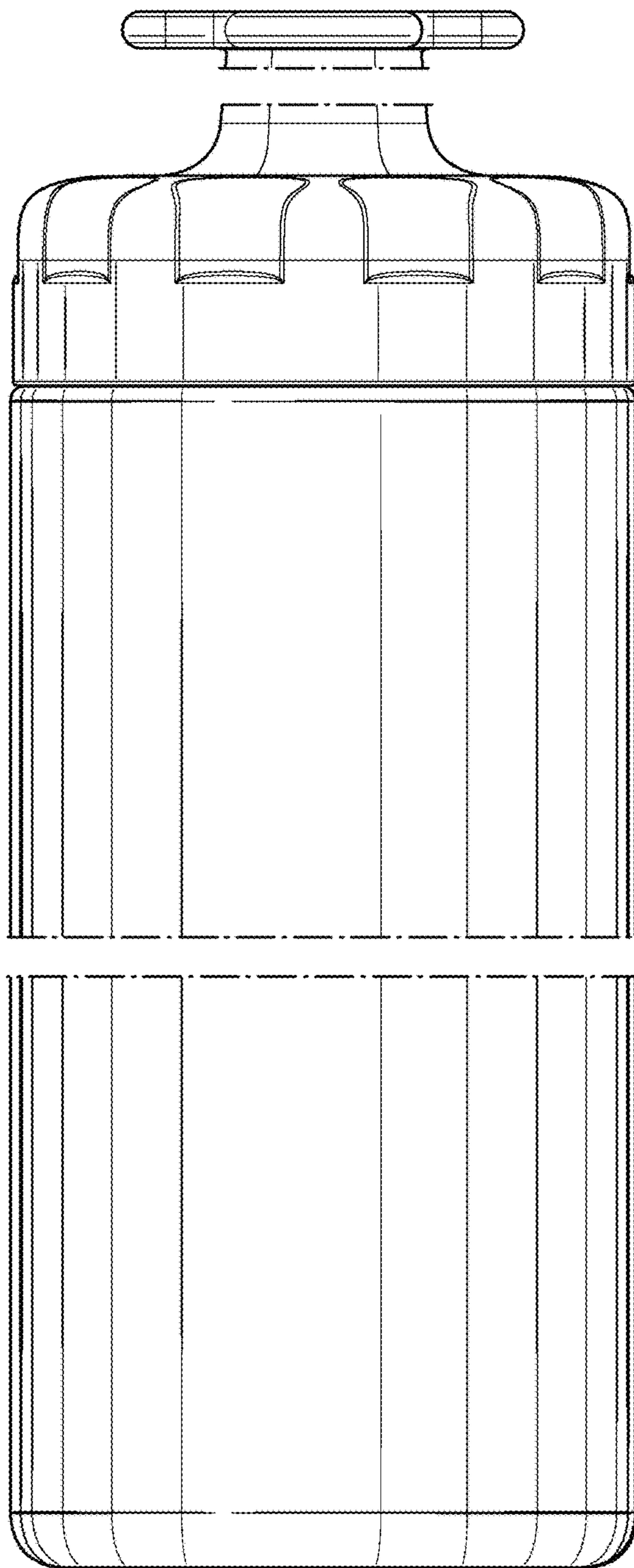


FIG. 2

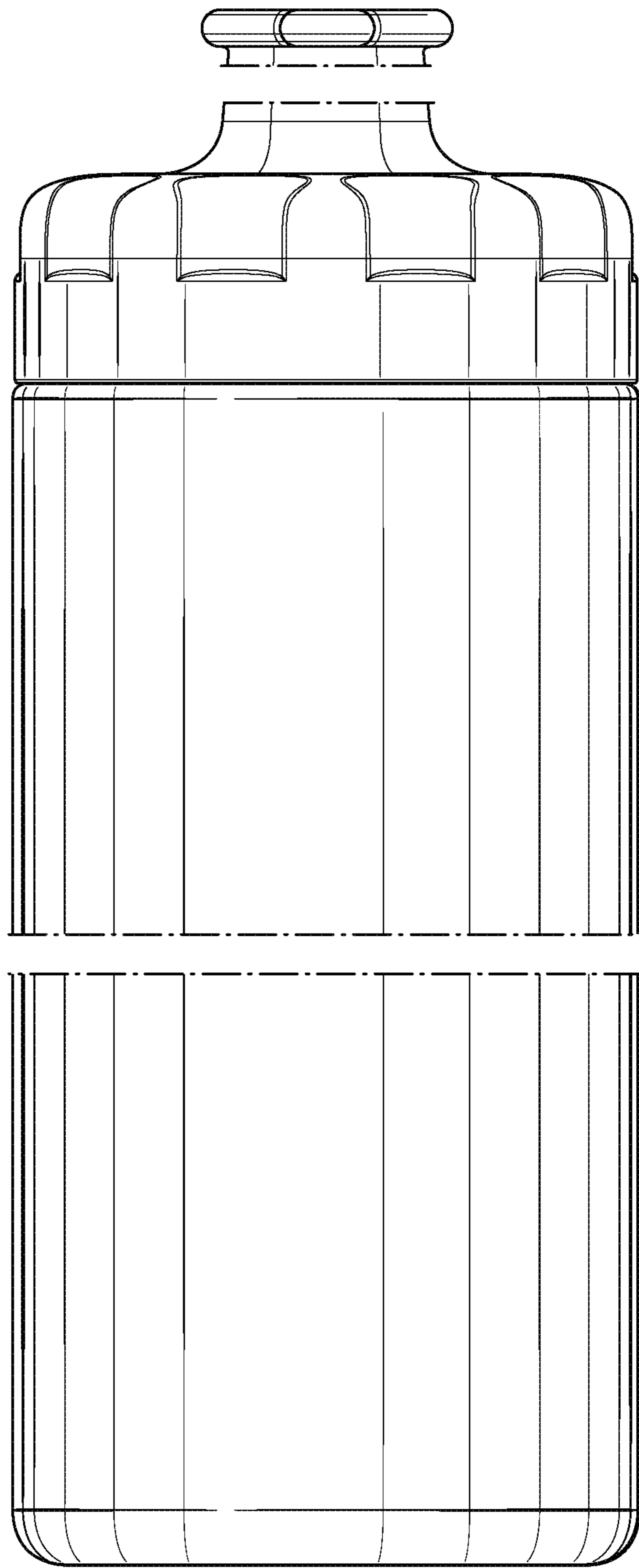


FIG. 3

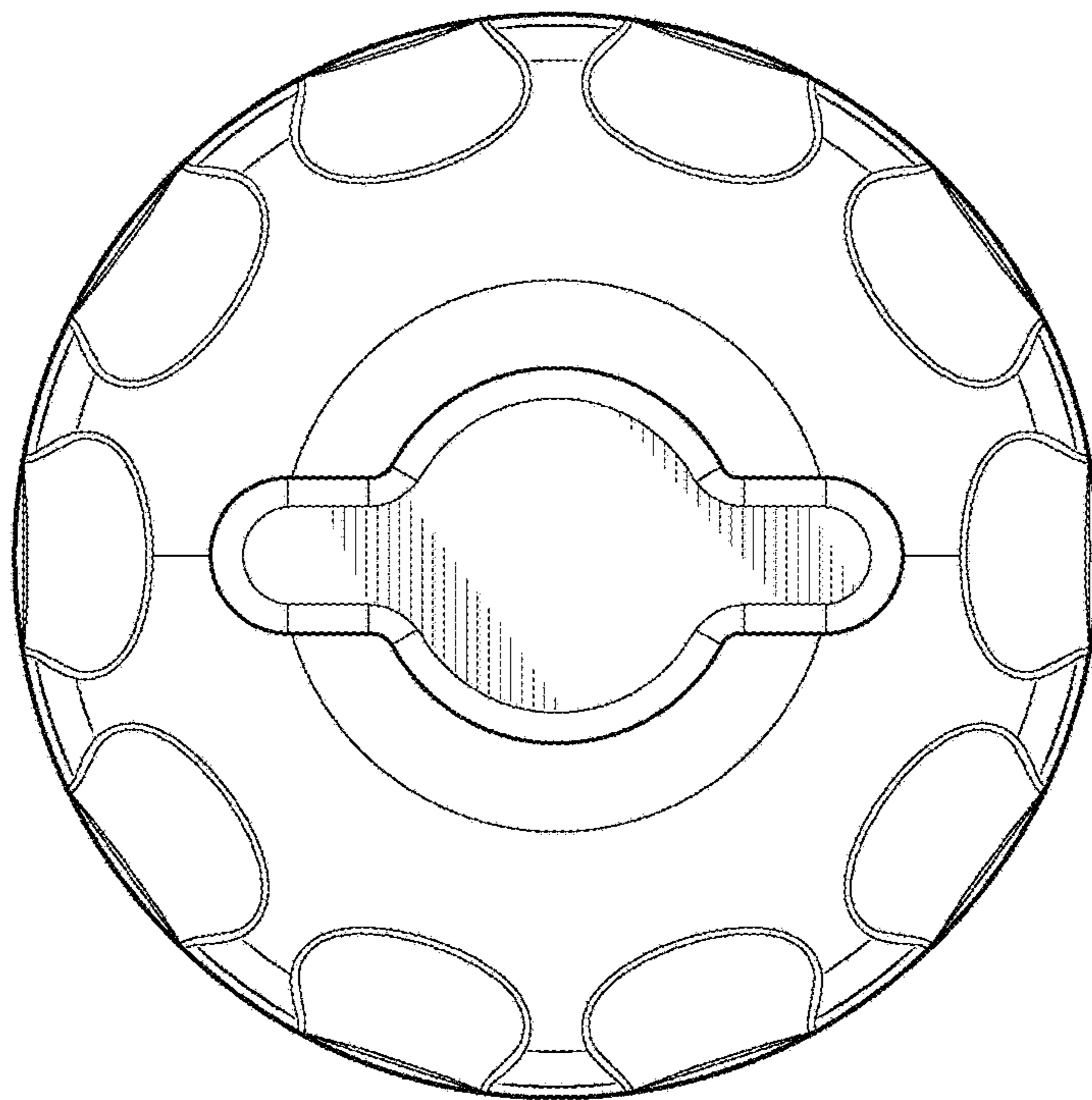


FIG. 4

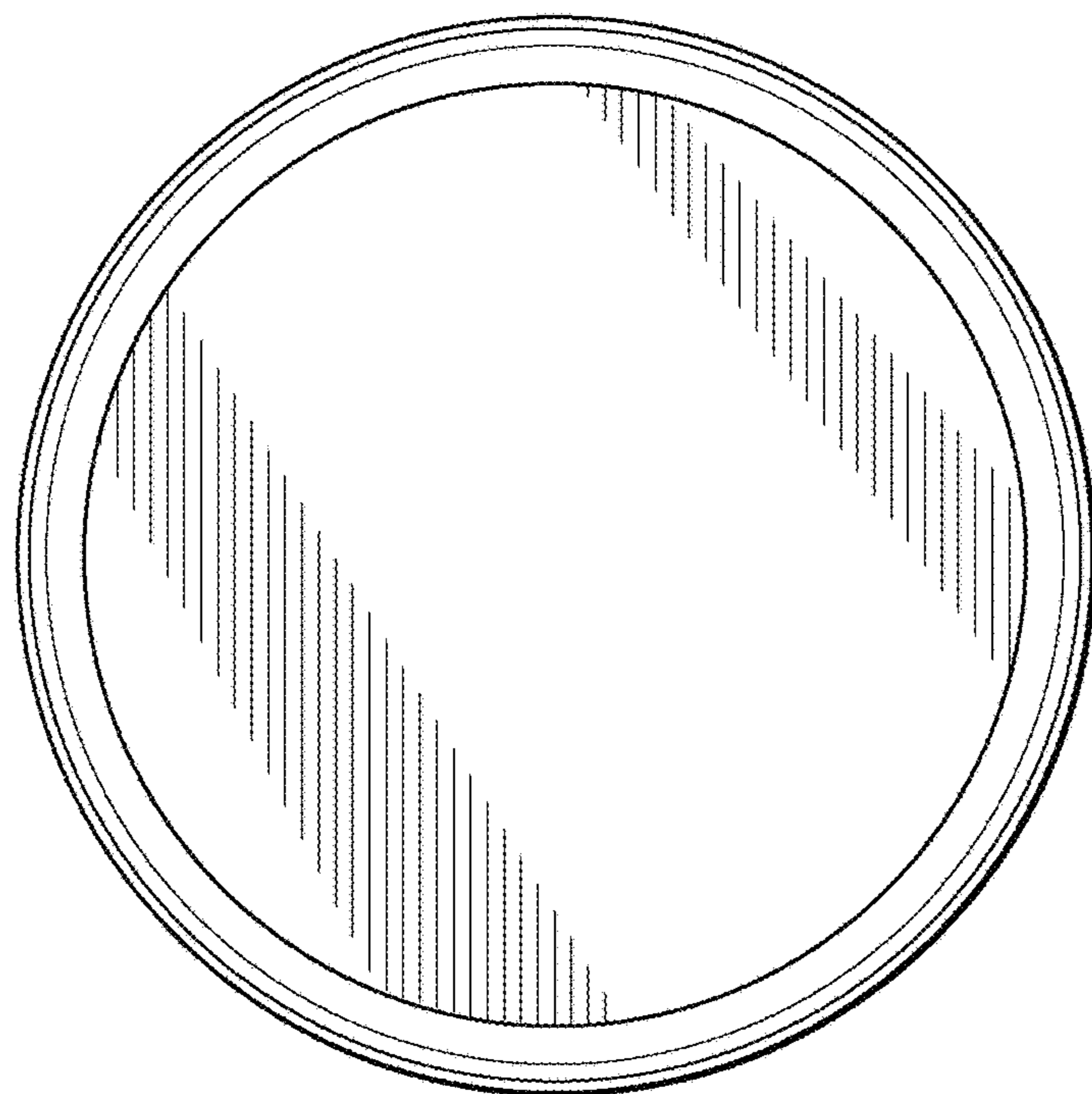


FIG. 5