



US00D777940S

(12) **United States Design Patent**  
**Peltosaari et al.**

(10) **Patent No.: US D777,940 S**

(45) **Date of Patent: \*\* Jan. 31, 2017**

(54) **SAMPLE VESSEL**

(71) Applicant: **Thermo Fisher Scientific Oy**, Vantaa (FI)

(72) Inventors: **Lauri Peltosaari**, Espoo (FI); **Joni Rannisto**, Kerava (FI)

(73) Assignee: **Thermo Fisher Scientific Oy**, Vantaa (FI)

(\*\*) Term: **14 Years**

(21) Appl. No.: **29/517,970**

(22) Filed: **Feb. 19, 2015**

(51) **LOC (10) Cl.** ..... **24-02**

(52) **U.S. Cl.**  
USPC ..... **D24/224**

(58) **Field of Classification Search**  
USPC . D24/216, 219, 222-232, 121-123; D10/81;  
356/427, 246, 244; 422/500-501,  
422/547-549, 554-562, 413, 430, 566;  
435/288.1, 304.1, 304.3; 600/576;  
D9/566, D9/574-575; 220/254.1;  
206/438; 494/11

(Continued)

(56) **References Cited**

**U.S. PATENT DOCUMENTS**

2,817,970 A \* 12/1957 Whitby ..... B04B 5/0421  
494/11  
3,814,522 A \* 6/1974 Clark ..... B01L 3/5021  
422/548

(Continued)

*Primary Examiner* — T. Chase Nelson

*Assistant Examiner* — Mark Cavanna

(74) *Attorney, Agent, or Firm* — Wood Herron & Evans  
LLP

(57) **CLAIM**

The ornamental design for a sample vessel, as shown and described.

**DESCRIPTION**

FIG. 1 is a top front isometric view of a sample vessel showing our new design;

FIG. 2 is a top left side isometric view thereof;

FIG. 3 is a front elevational view thereof;

FIG. 4 is a rear elevational view thereof;

FIG. 5 is a cross-sectional view taken along line 5-5 of FIG. 3 thereof;

FIG. 6 is a top plan view thereof; and

FIG. 7 is a bottom plan view thereof.

FIG. 8 is a top plan view thereof;

FIG. 9 is a bottom plan view thereof;

FIG. 10 is a top front isometric view of a second embodiment of a sample vessel showing our new design, with the sample vessel top open;

FIG. 11 is a top left side isometric view thereof;

FIG. 12 is a bottom left side isometric view thereof;

FIG. 13 is a front elevational view thereof;

FIG. 14 is a rear elevational view thereof;

FIG. 15 is a cross-sectional view taken along line 15-15 of FIG. 13 thereof;

FIG. 16 is a right side elevational view thereof;

FIG. 17 is a left side elevational view thereof;

FIG. 18 is a cross-sectional view taken along line 18-18 of FIG. 16 thereof;

FIG. 19 is a top plan view thereof;

FIG. 20 is a bottom plan view thereof;

FIG. 21 is a top front isometric view of a third embodiment of a sample vessel showing our new design, with the sample vessel top closed;

FIG. 22 is a top left side isometric view thereof;

FIG. 23 is a bottom left side isometric view thereof;

FIG. 24 is a front elevational view thereof;

FIG. 25 is a rear elevational view thereof;

FIG. 26 is a cross-sectional view taken along line 26-26 of FIG. 24 thereof;

FIG. 27 is a right side elevational view thereof;

FIG. 28 is a left side elevational view thereof;

(Continued)

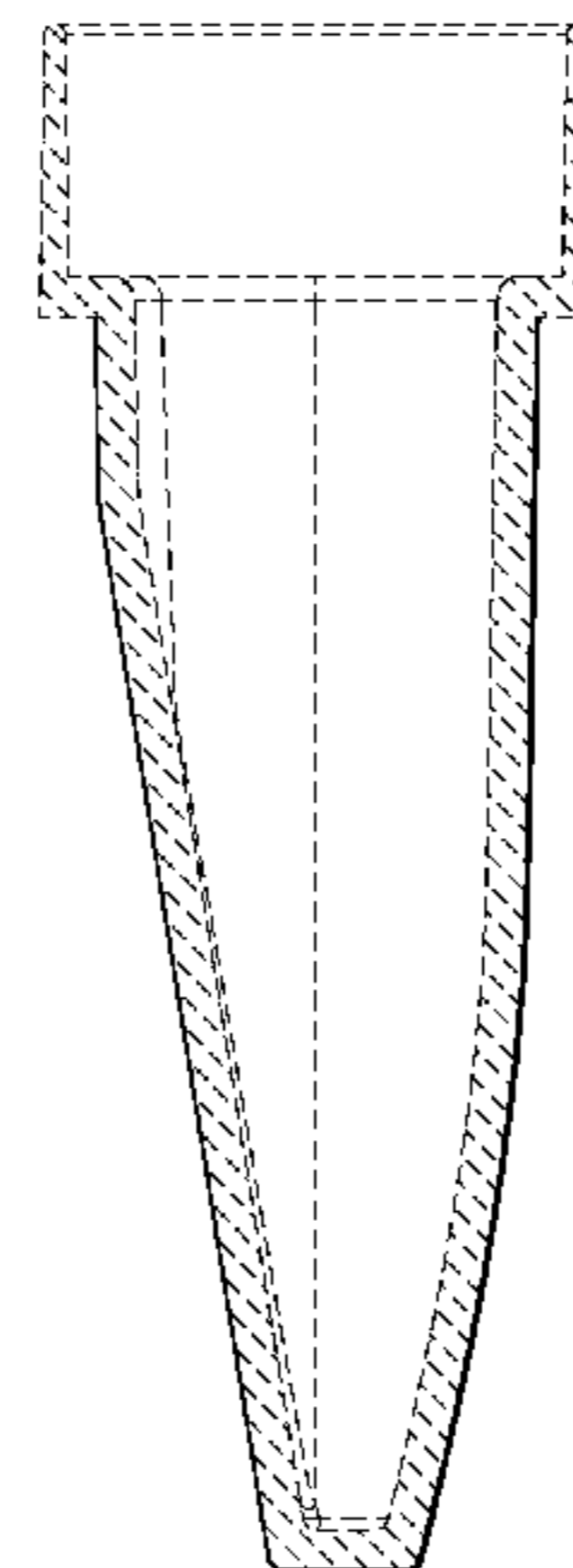
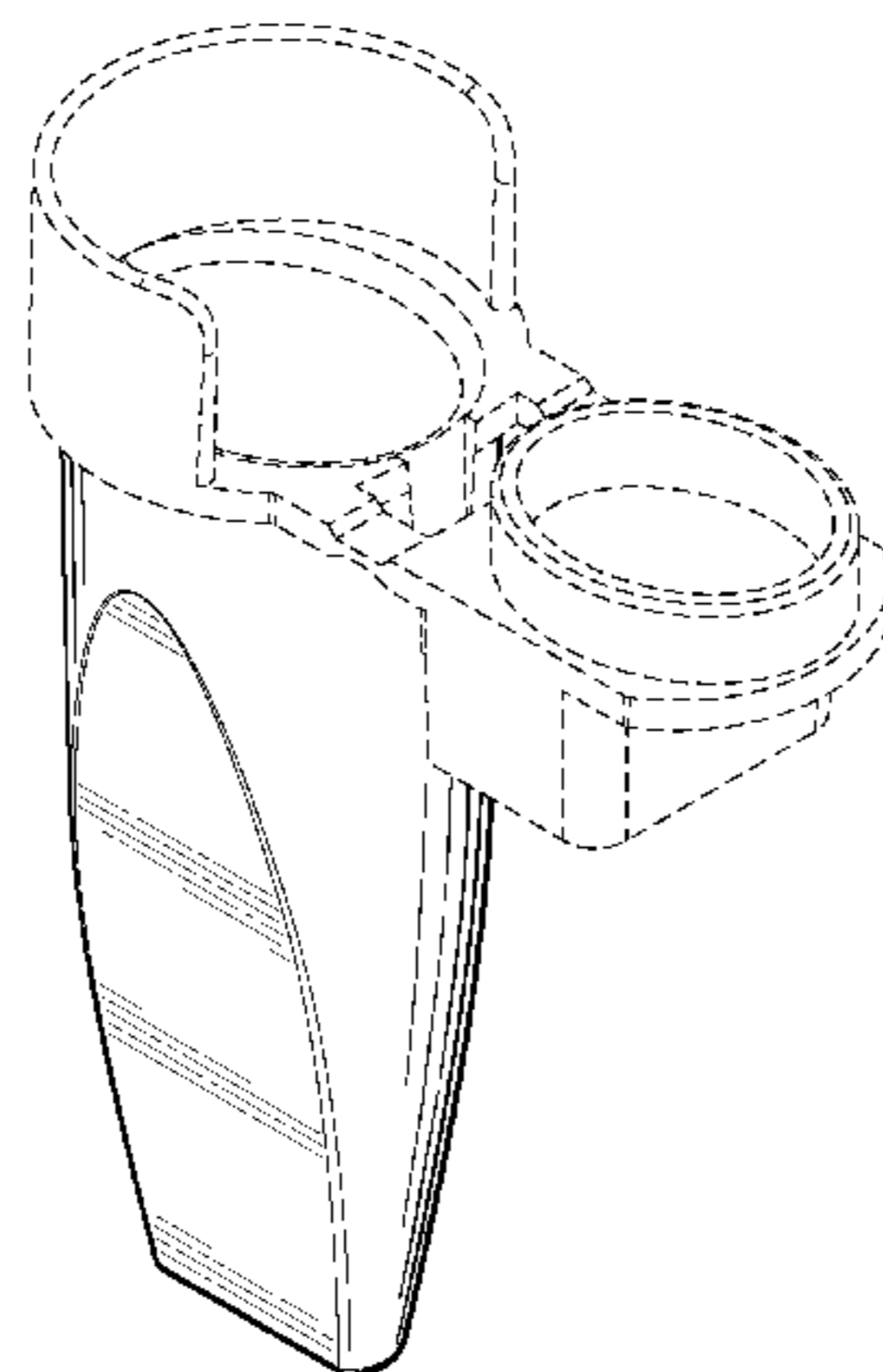


FIG. 29 is a cross-sectional view taken along line 29-29 of FIG. 27 thereof;  
 FIG. 30 is a top plan view thereof; and,  
 FIG. 31 is a bottom plan view thereof.  
 Portions of the sample vessel shown in broken line form no part of the claimed design.

**1 Claim, 14 Drawing Sheets**

(58) **Field of Classification Search**

CPC G01N 21/05; G01N 21/9027; G01N 35/1002;  
 B01L 2300/0816; B01L 3/502; B01L  
 3/08; B01L 9/06; B01L 3/5082; B01L  
 3/5021; A61B 10/007; A61B  
 5/1405; C12M 23/08; G02B 21/34

See application file for complete search history.

(56) **References Cited**

U.S. PATENT DOCUMENTS

D246,467 S \* 11/1977 Kurata ..... D24/224  
 D246,600 S \* 12/1977 Kurata ..... D24/224  
 D258,534 S \* 3/1981 Nagel ..... D24/224  
 4,427,634 A \* 1/1984 Truglio ..... G02B 21/34  
 422/551  
 D278,653 S \* 4/1985 Savitz ..... D24/219  
 4,528,187 A \* 7/1985 Truglio ..... B01L 3/5082  
 422/549  
 D302,722 S \* 8/1989 Baxter ..... D24/224

4,865,812 A \* 9/1989 Kuntz ..... B01L 3/508  
 422/566  
 D304,997 S \* 12/1989 Baxter ..... D24/224  
 D307,052 S \* 4/1990 Baxter ..... D24/224  
 4,981,654 A \* 1/1991 Kuntz ..... B01L 3/5021  
 422/501  
 D318,727 S \* 7/1991 Spike ..... D24/224  
 5,030,421 A \* 7/1991 Muller ..... B01L 3/5021  
 422/430  
 5,260,032 A \* 11/1993 Muller ..... B01L 3/5021  
 356/244  
 D342,793 S \* 12/1993 Balmer ..... D24/224  
 5,316,732 A \* 5/1994 Golukhov ..... B01L 3/502  
 206/438  
 D380,555 S \* 7/1997 Kurosaki ..... D24/224  
 D383,851 S \* 9/1997 Wong ..... D24/224  
 6,066,299 A \* 5/2000 Lodge ..... B01L 3/5082  
 422/547  
 D427,691 S \* 7/2000 Asselta ..... D24/224  
 D438,982 S \* 3/2001 Lodge ..... D24/224  
 D453,838 S \* 2/2002 Harrop ..... D24/216  
 D454,201 S \* 3/2002 Harrop ..... D24/122  
 D463,864 S \* 10/2002 Treadwell ..... D24/216  
 6,878,346 B2 \* 4/2005 DeYoung ..... B01L 3/5082  
 422/557  
 D558,357 S \* 12/2007 Byrd ..... D24/224  
 D560,816 S \* 1/2008 Talmer ..... D24/224  
 D636,678 S \* 4/2011 Baird ..... D24/224  
 D652,148 S \* 1/2012 Matsuura ..... D24/224  
 D687,965 S \* 8/2013 Trump ..... D24/224  
 D709,624 S \* 7/2014 Baum ..... D24/224  
 D722,703 S \* 2/2015 Fuller ..... D24/223  
 D743,045 S \* 11/2015 Trump ..... D24/224

\* cited by examiner

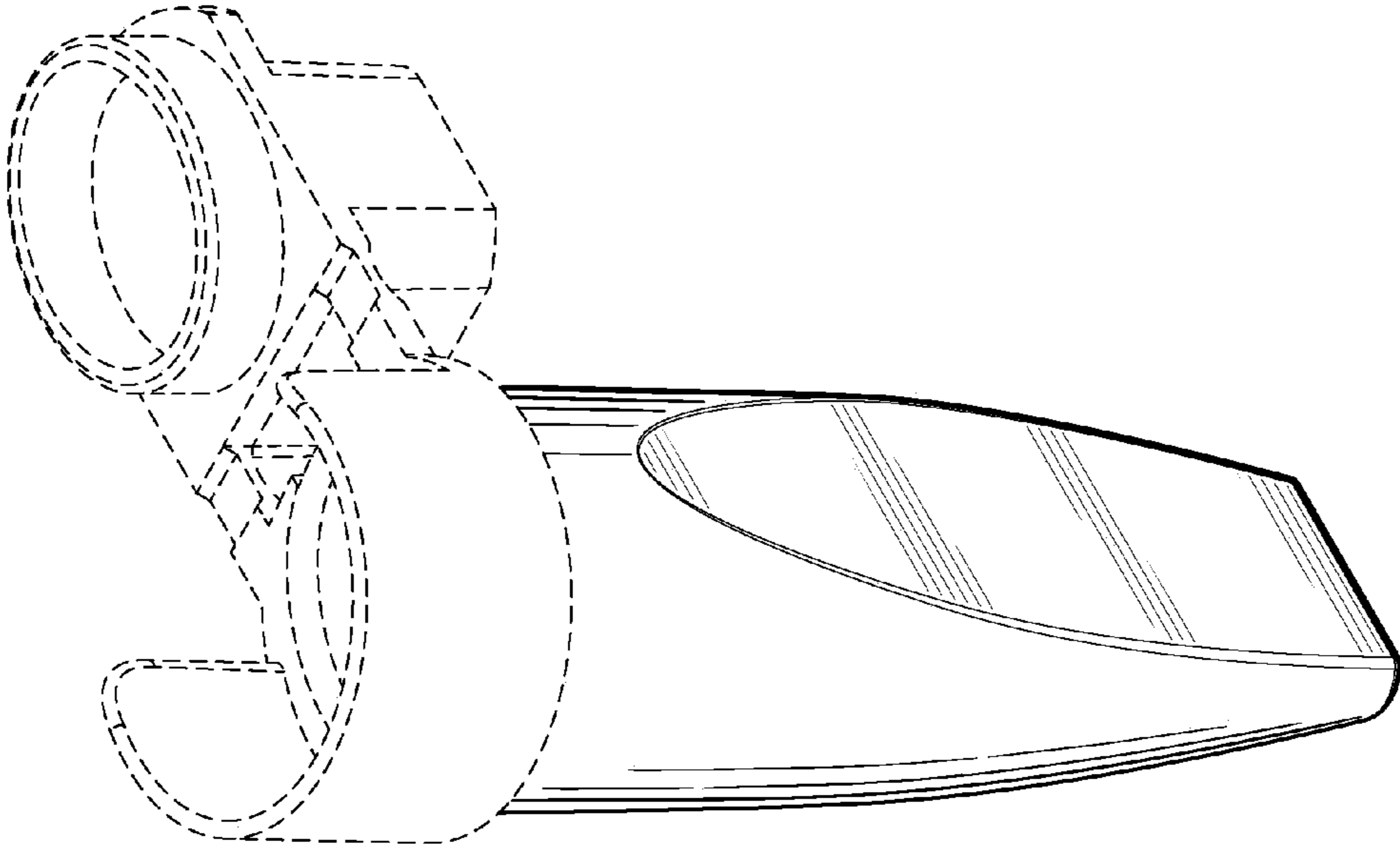


FIG. 2

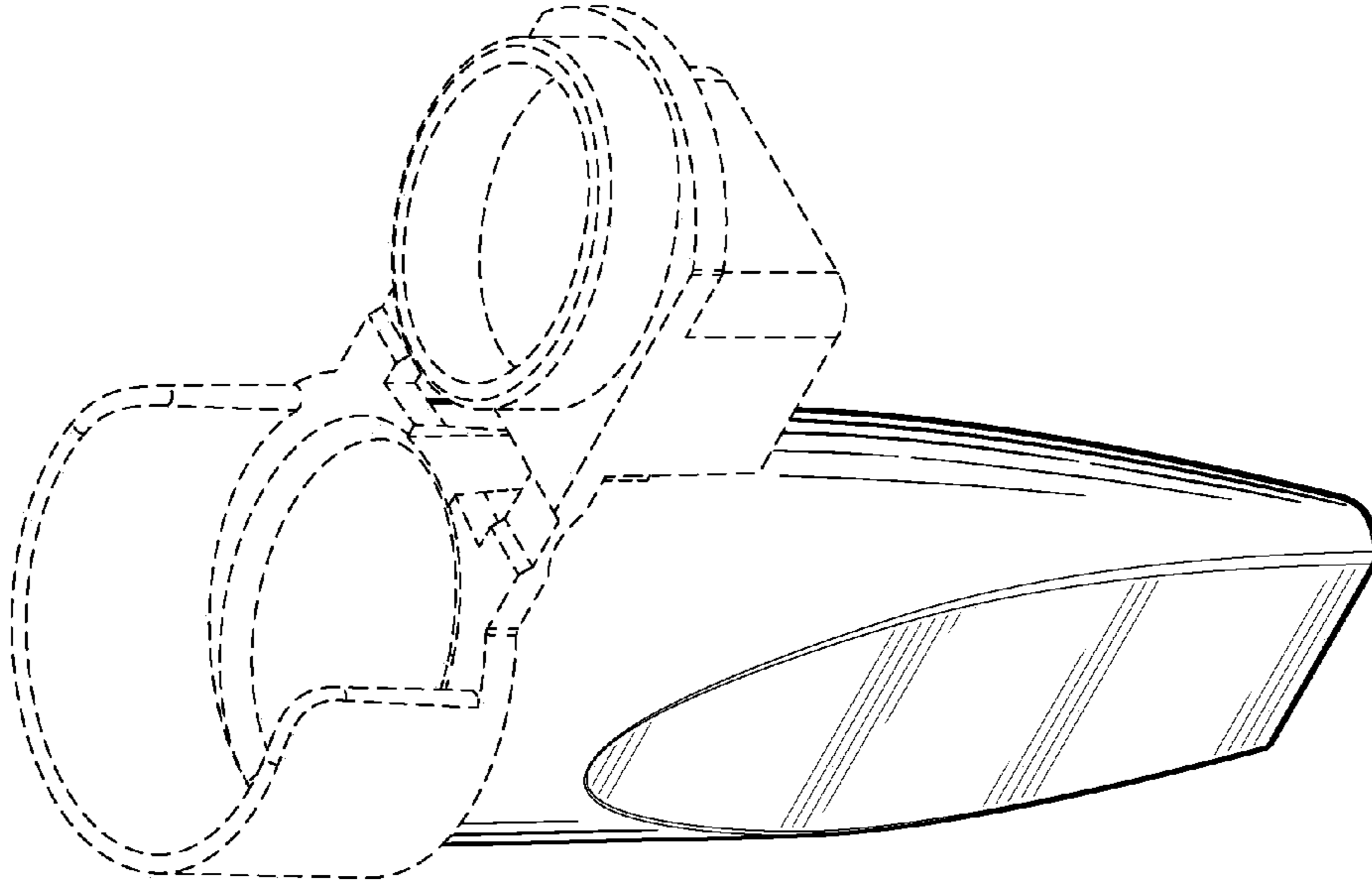


FIG. 1

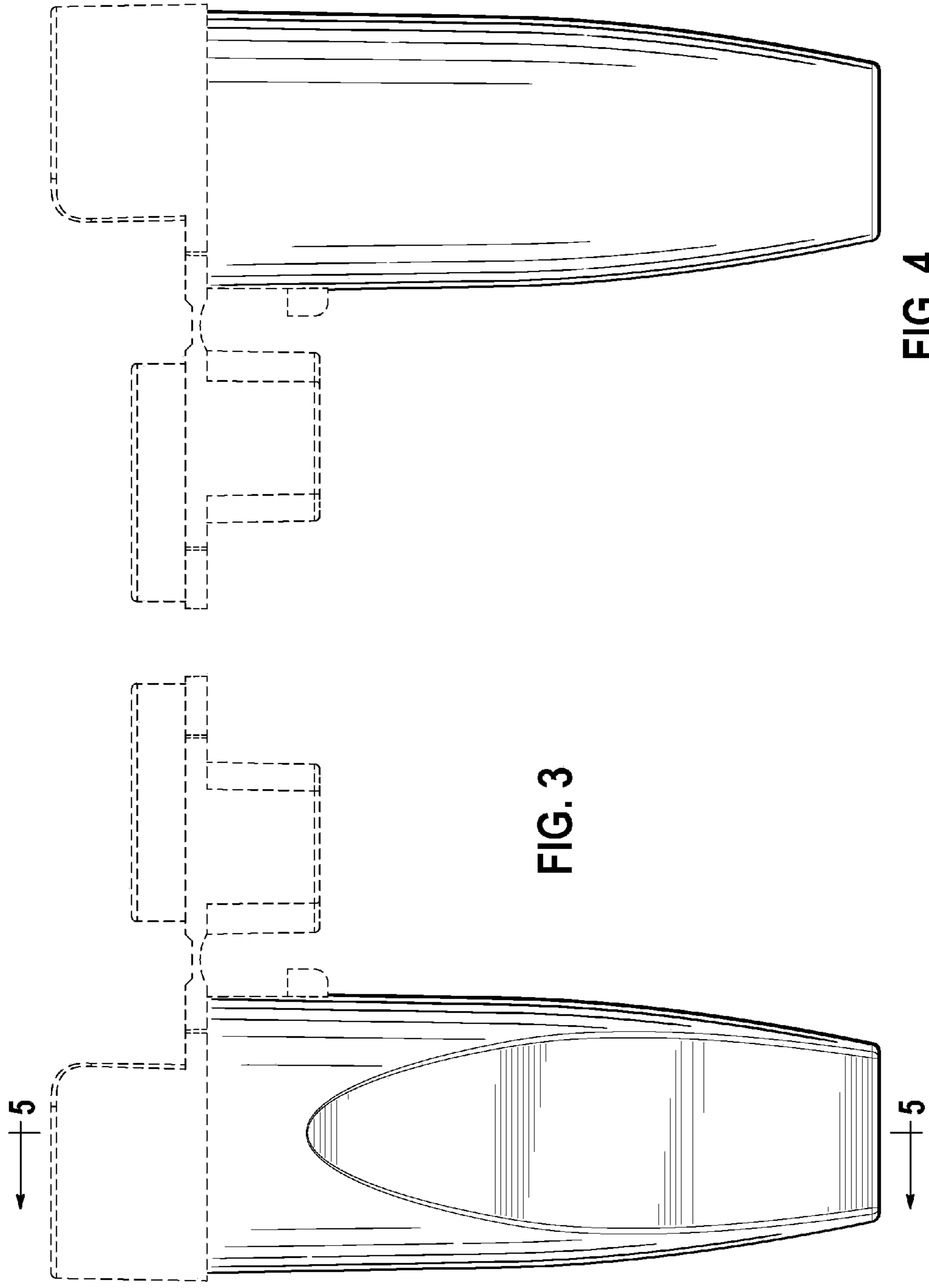


FIG. 3

FIG. 4

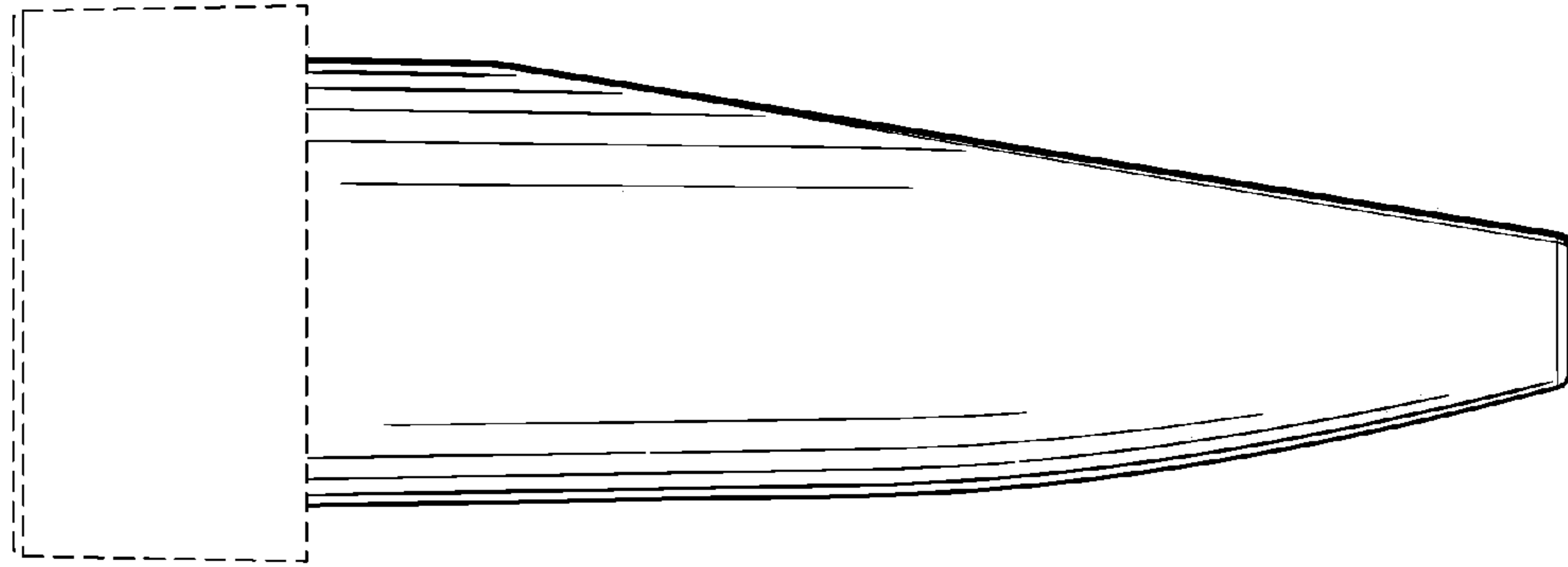


FIG. 7

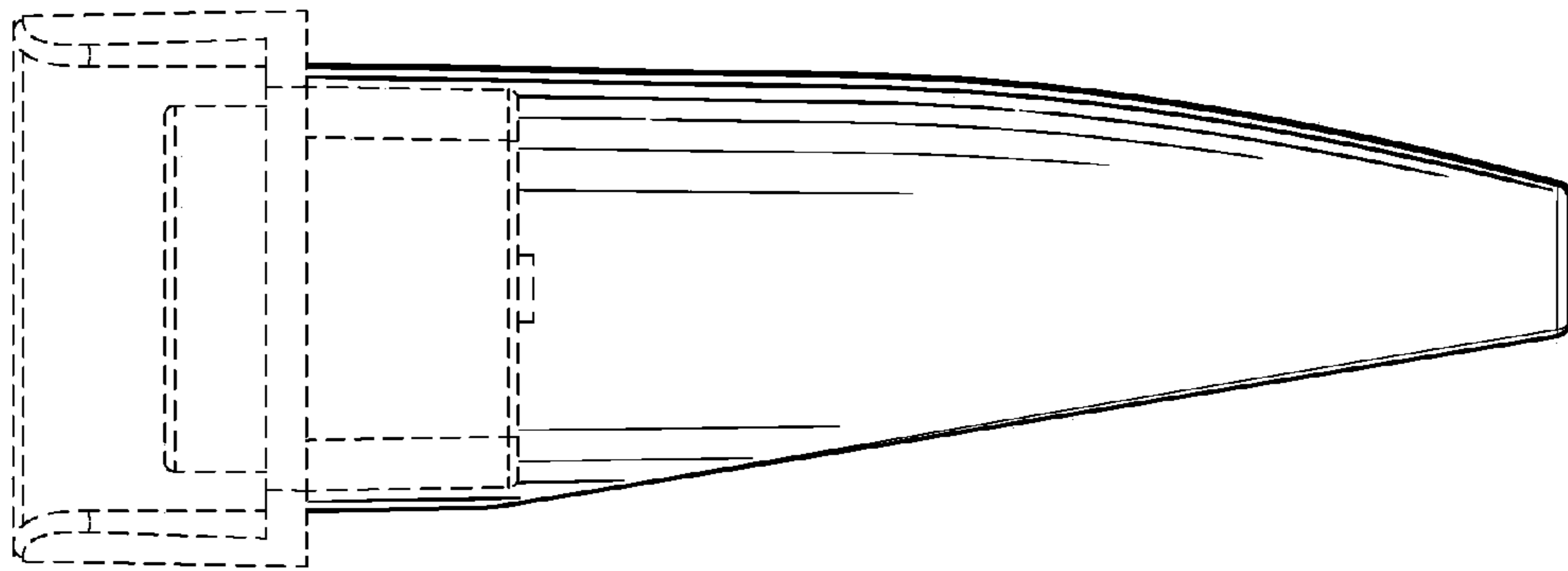


FIG. 6

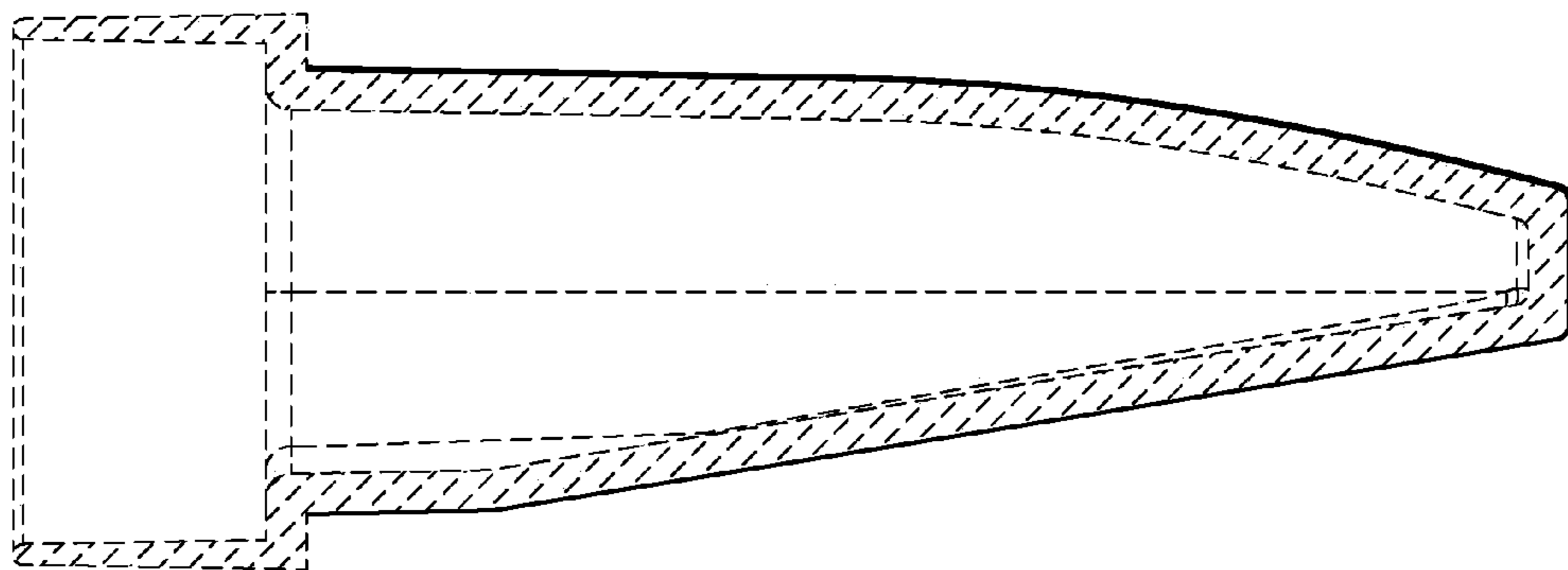


FIG. 5

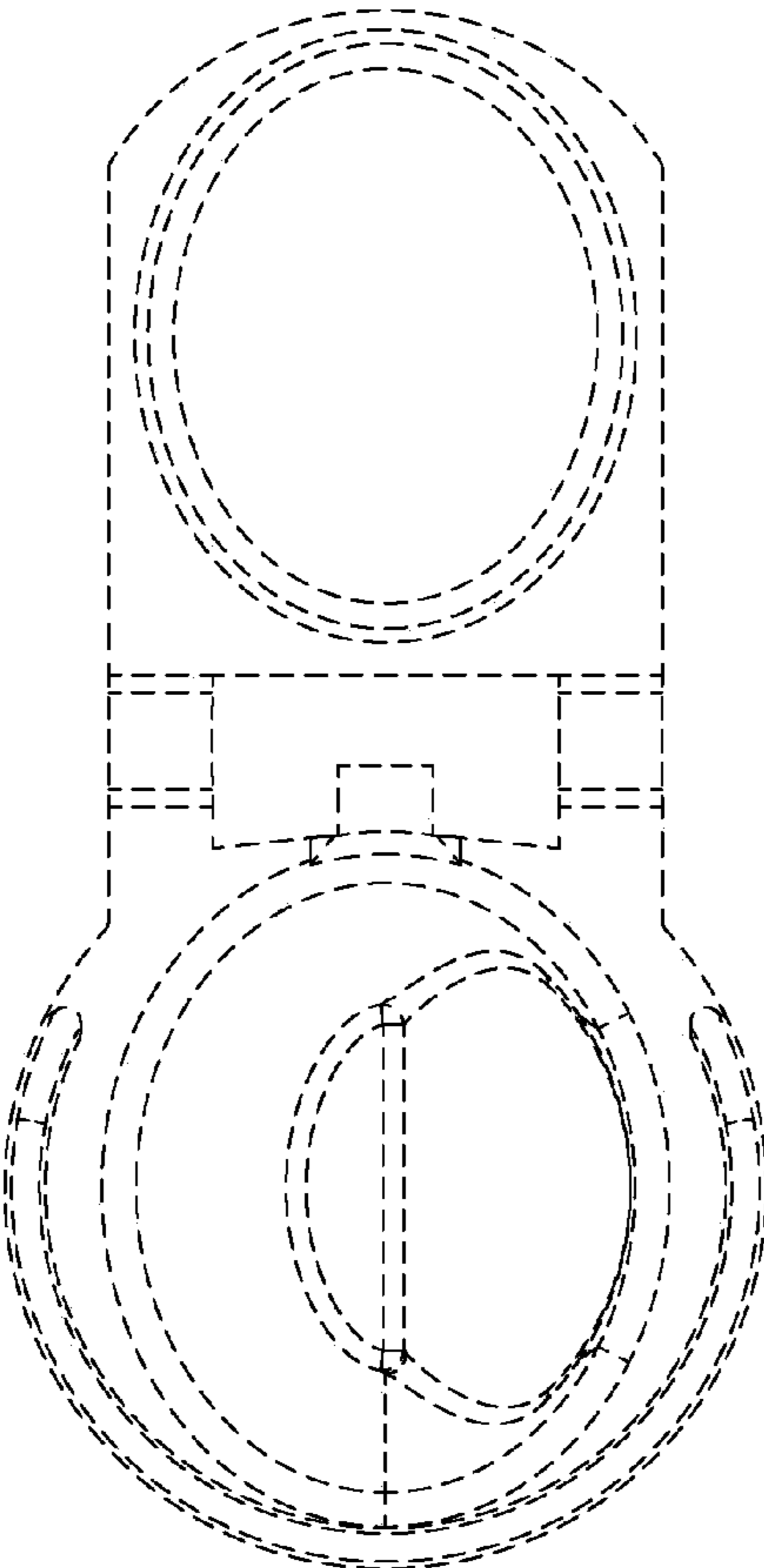


FIG. 8

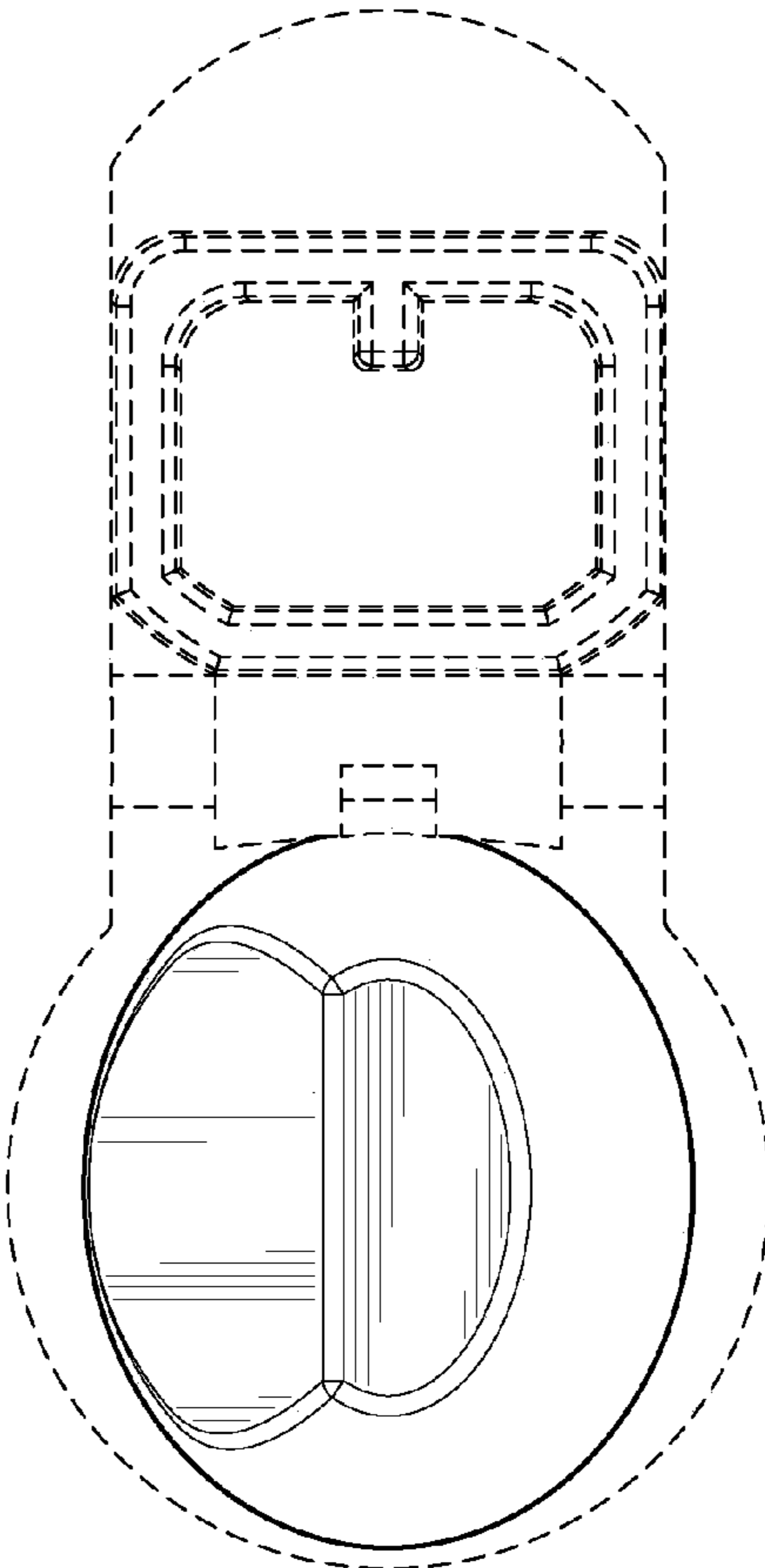


FIG. 9

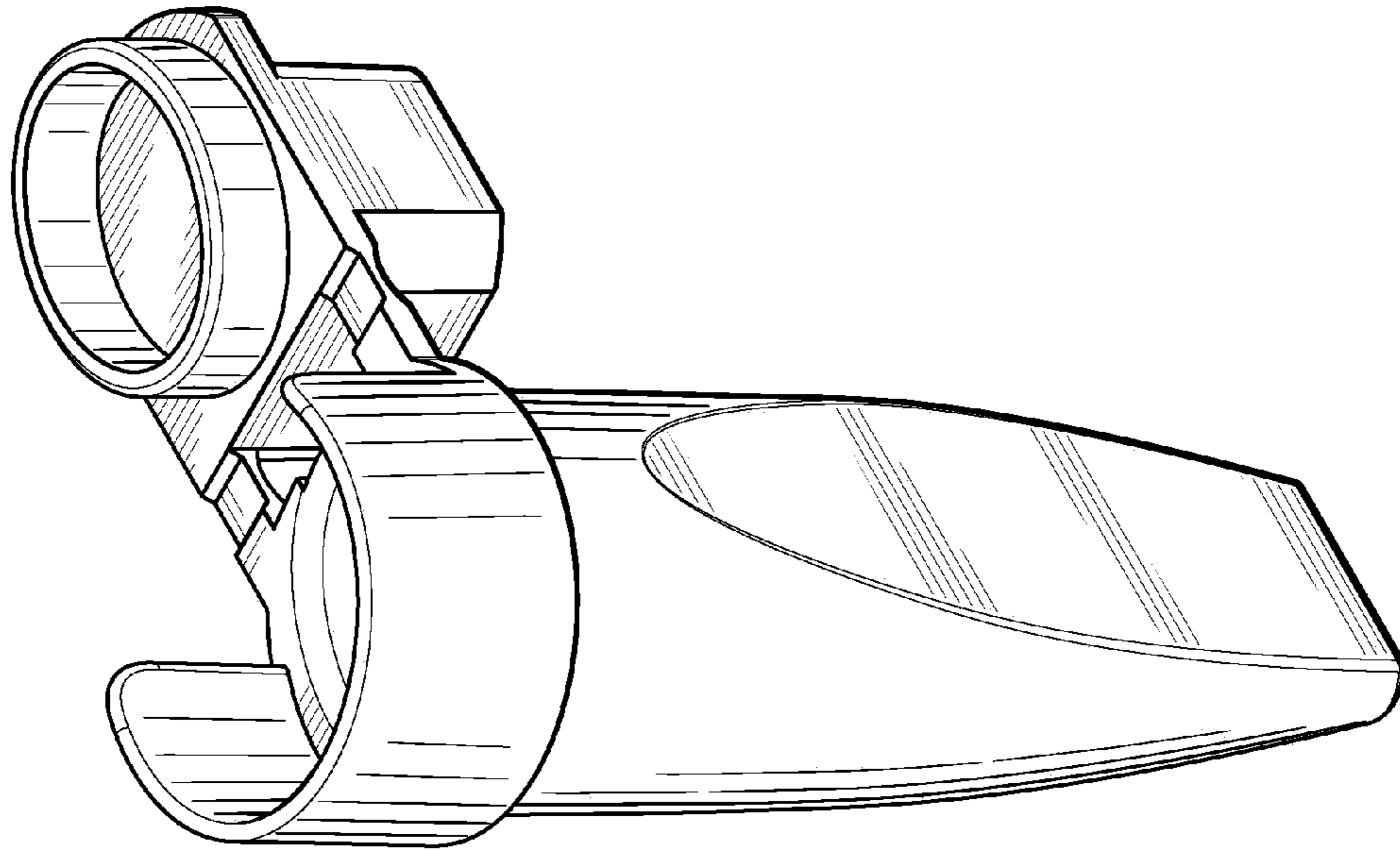


FIG. 11

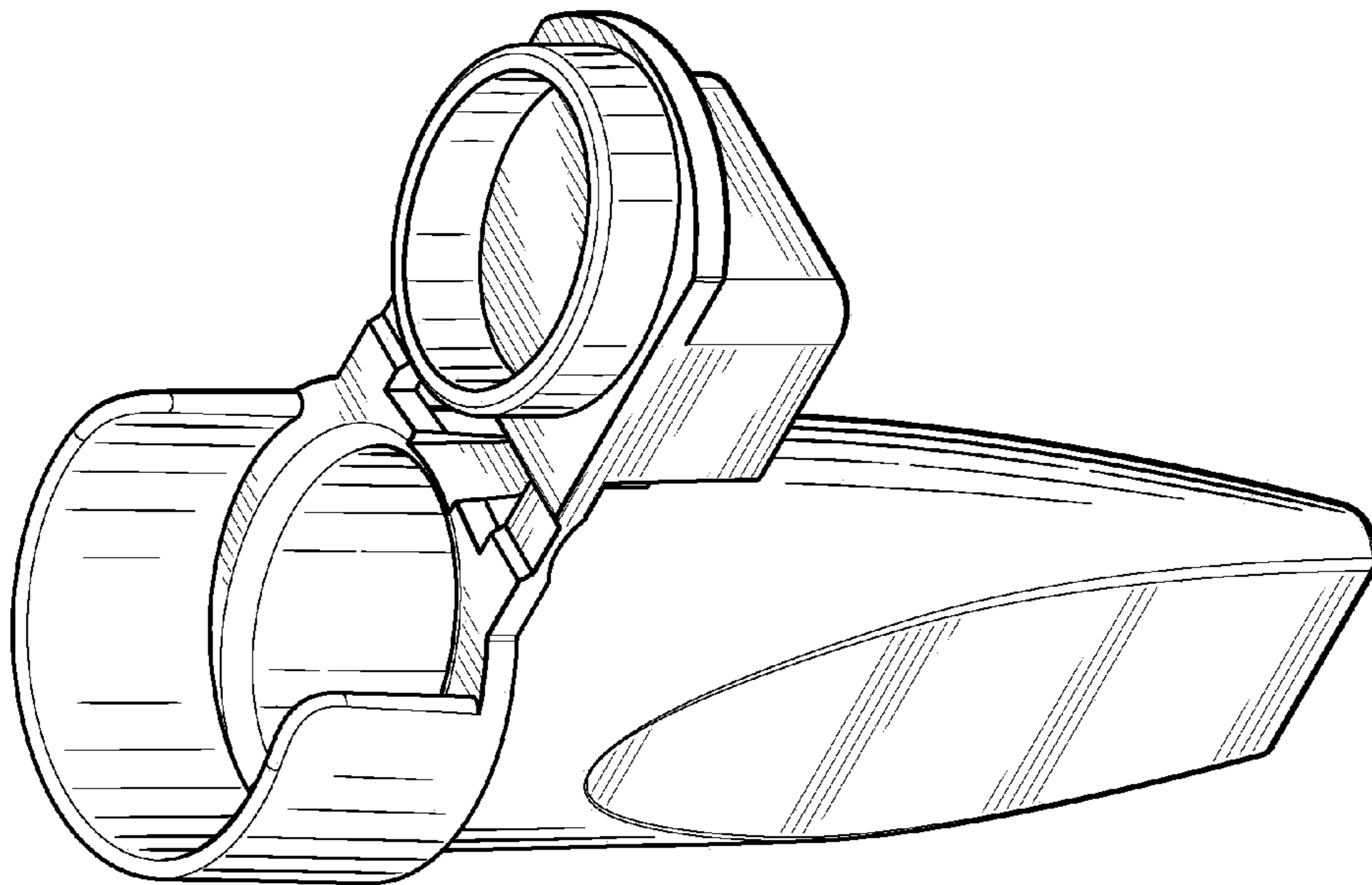


FIG. 10

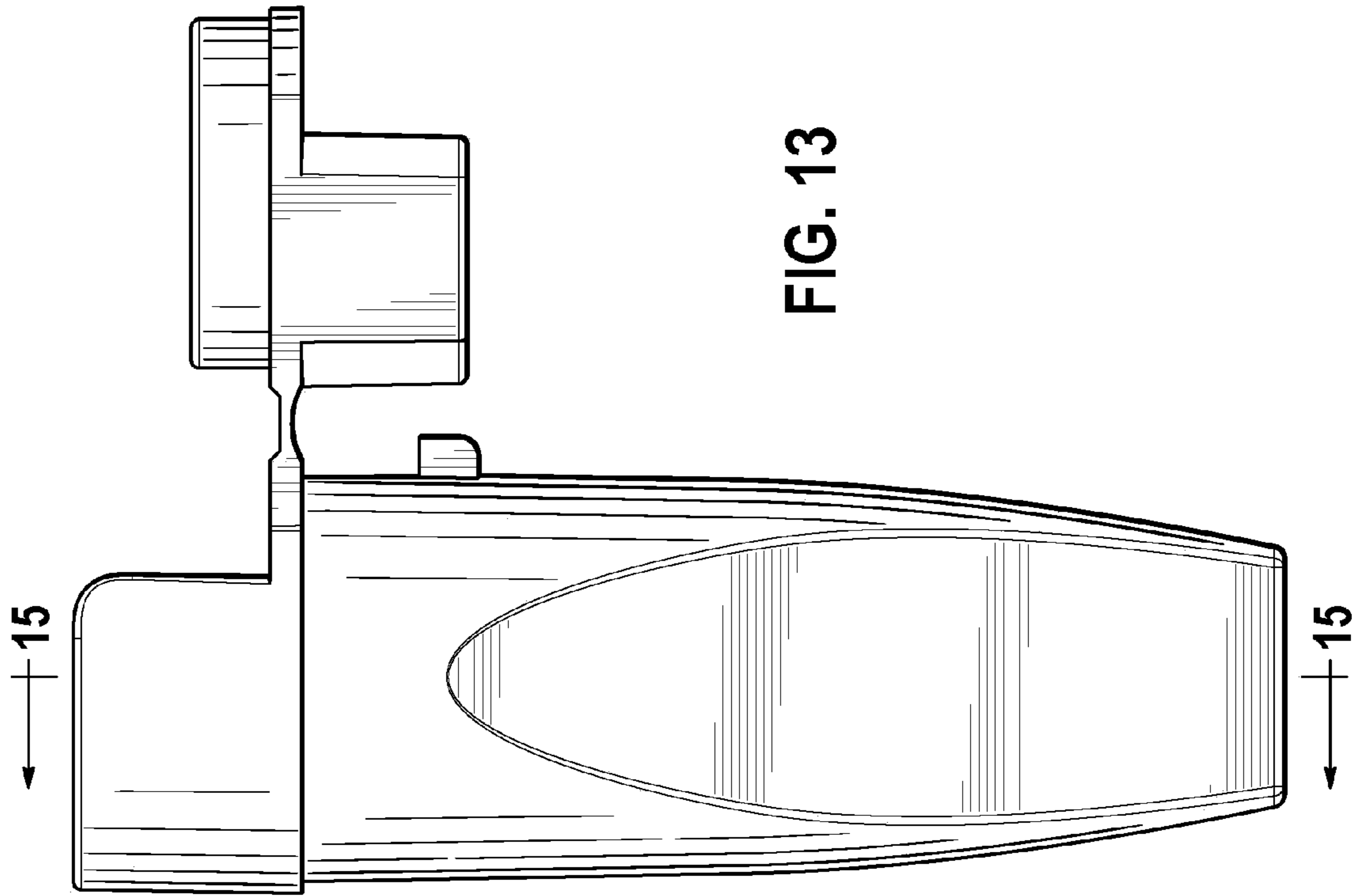


FIG. 13

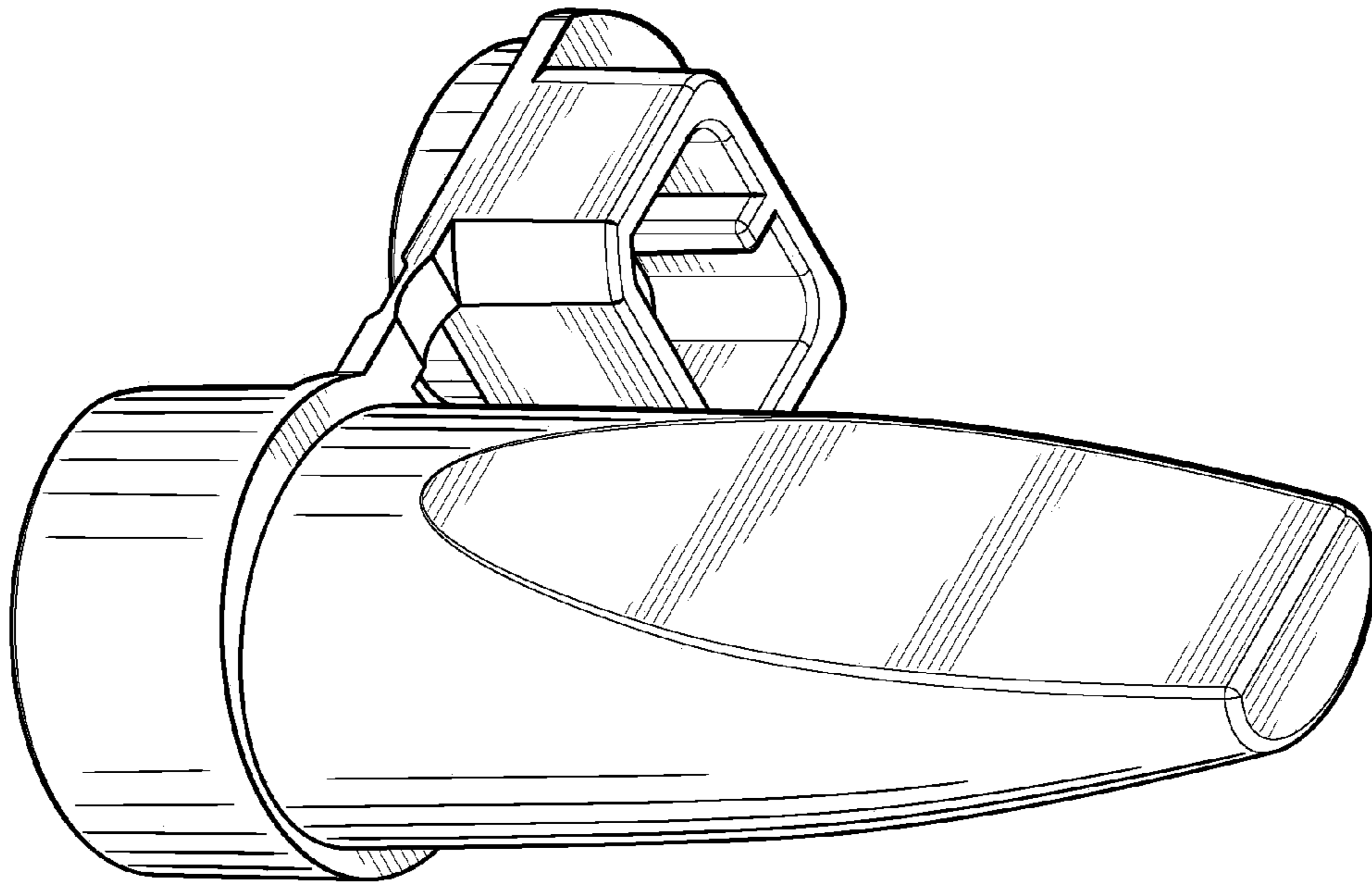


FIG. 12



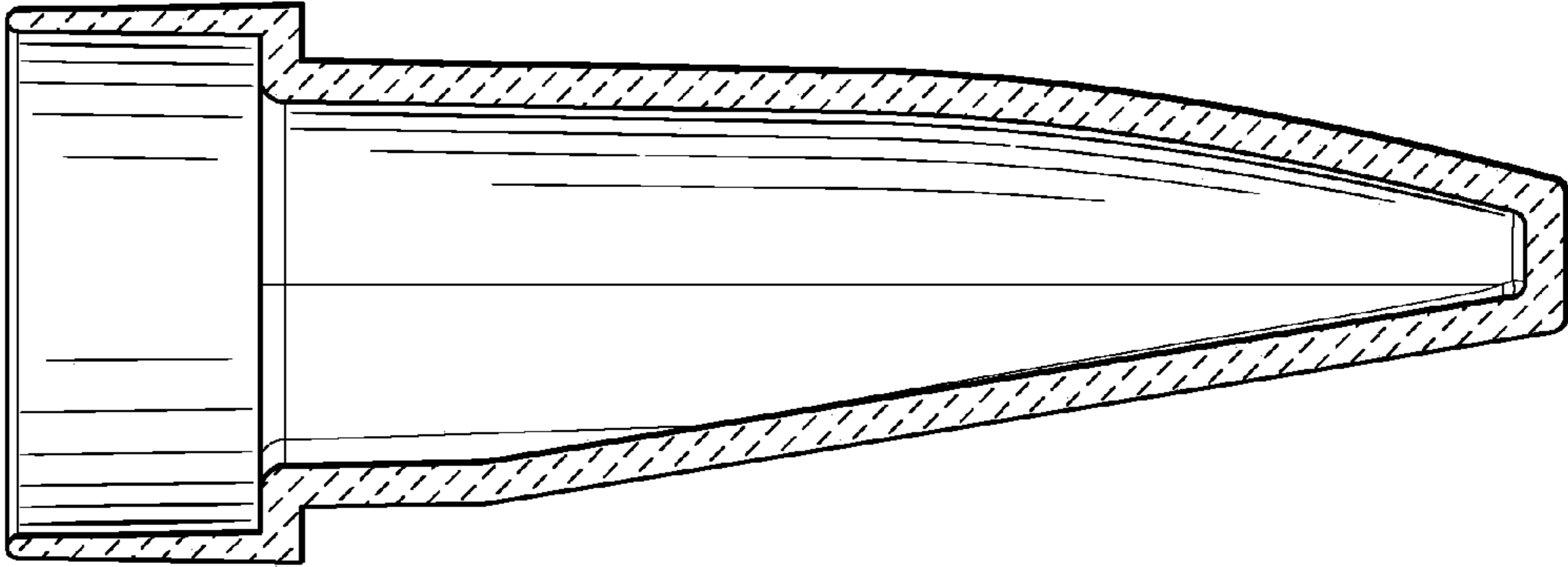


FIG. 15

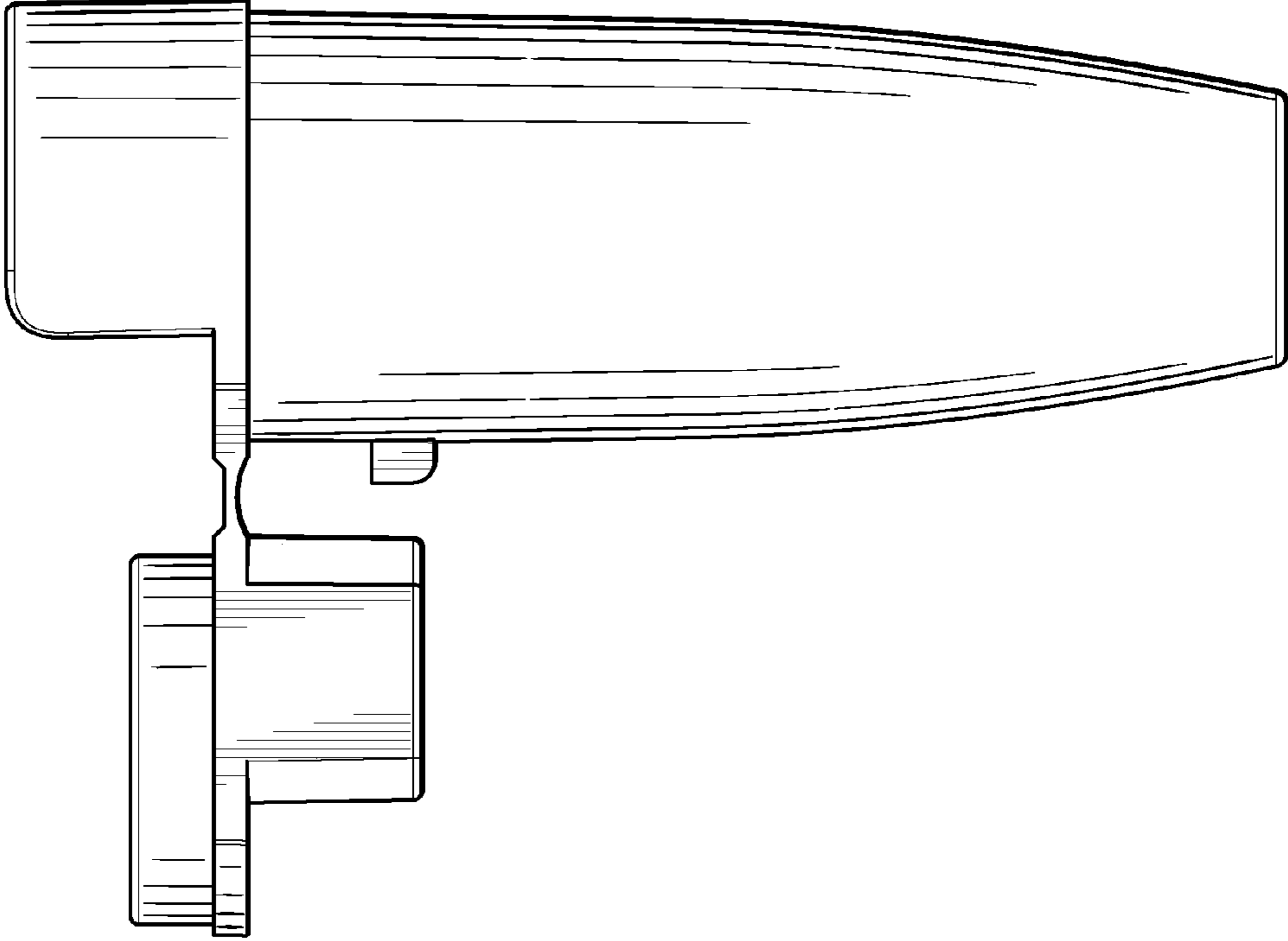
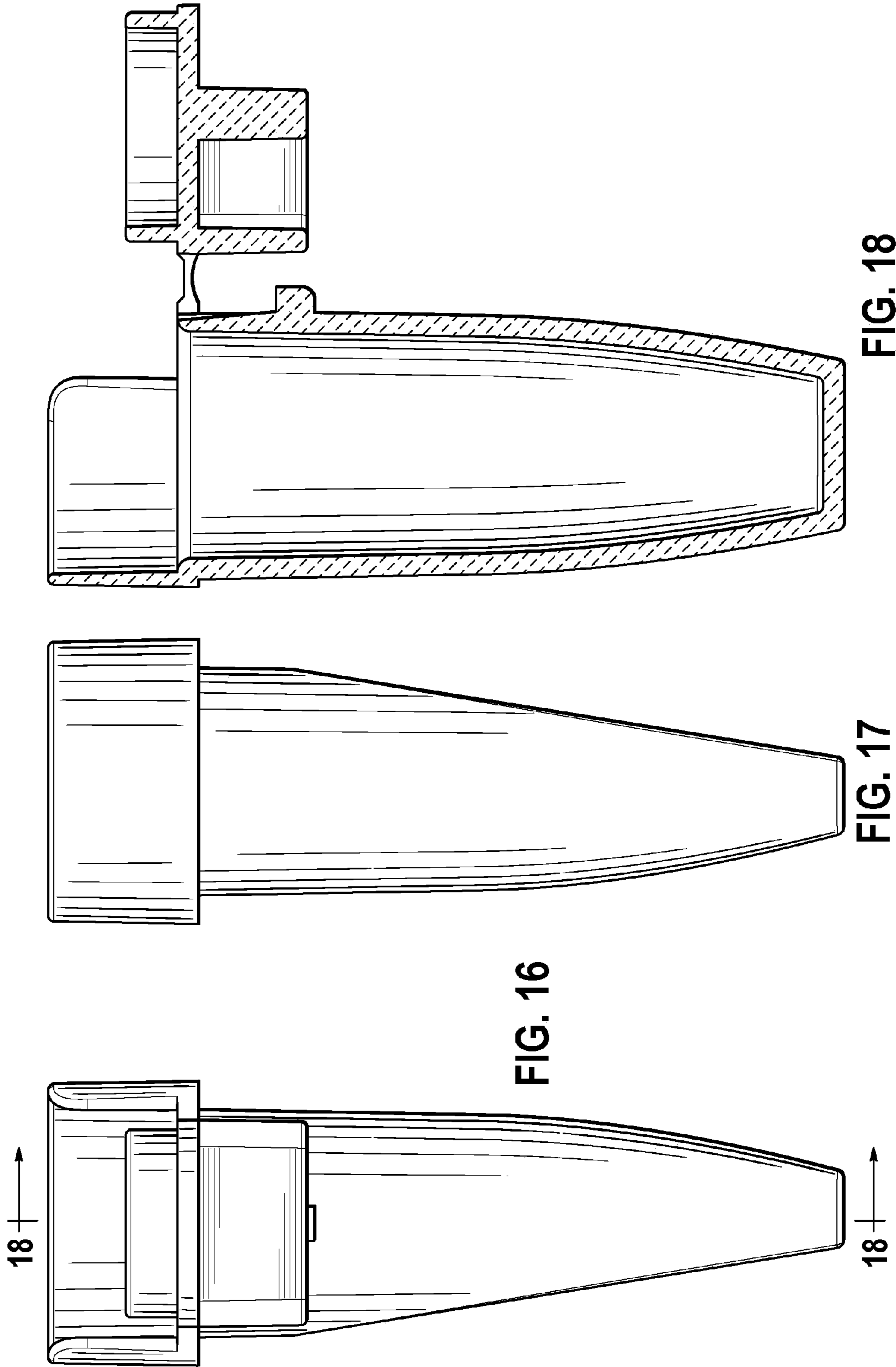


FIG. 14



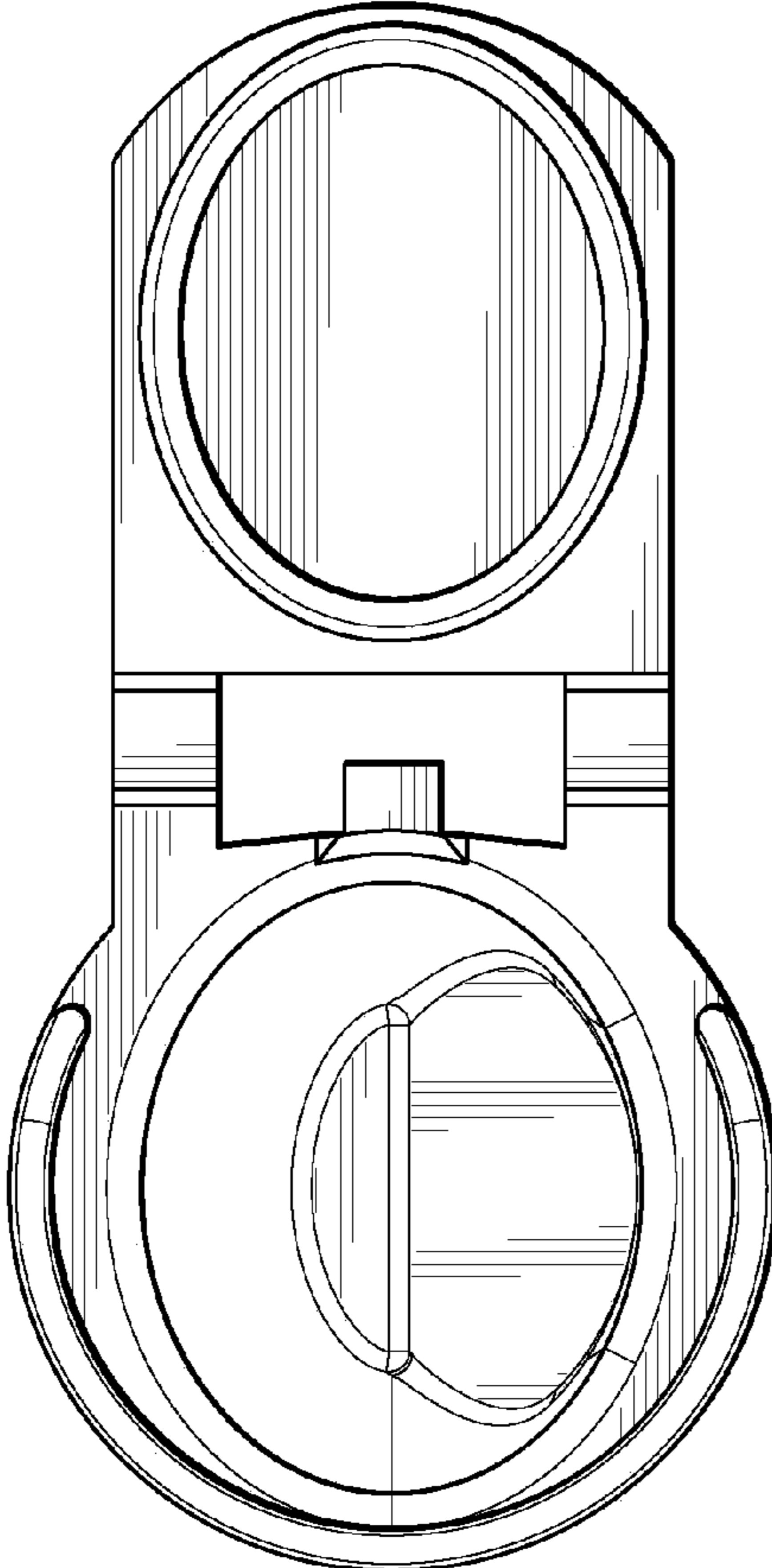


FIG. 19

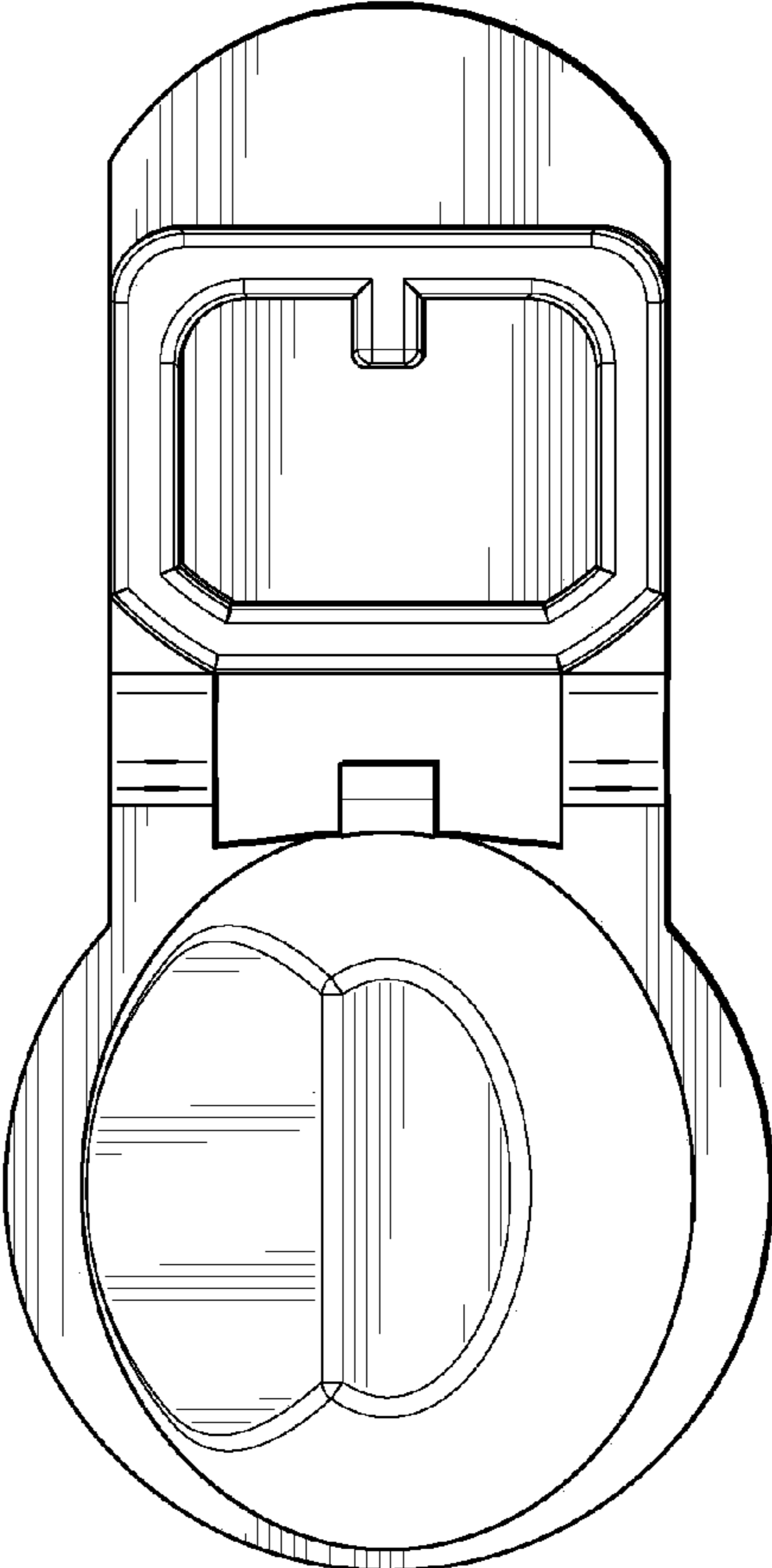


FIG. 20

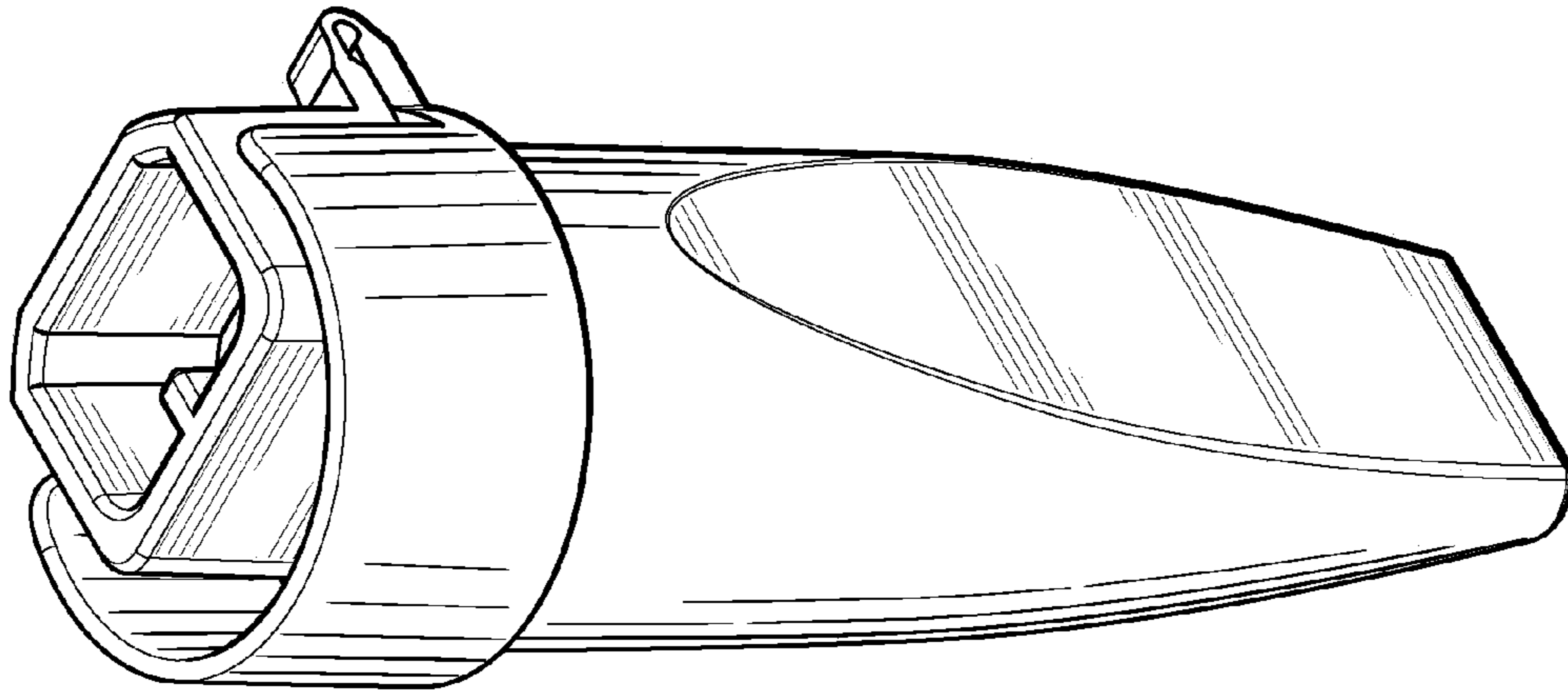


FIG. 22

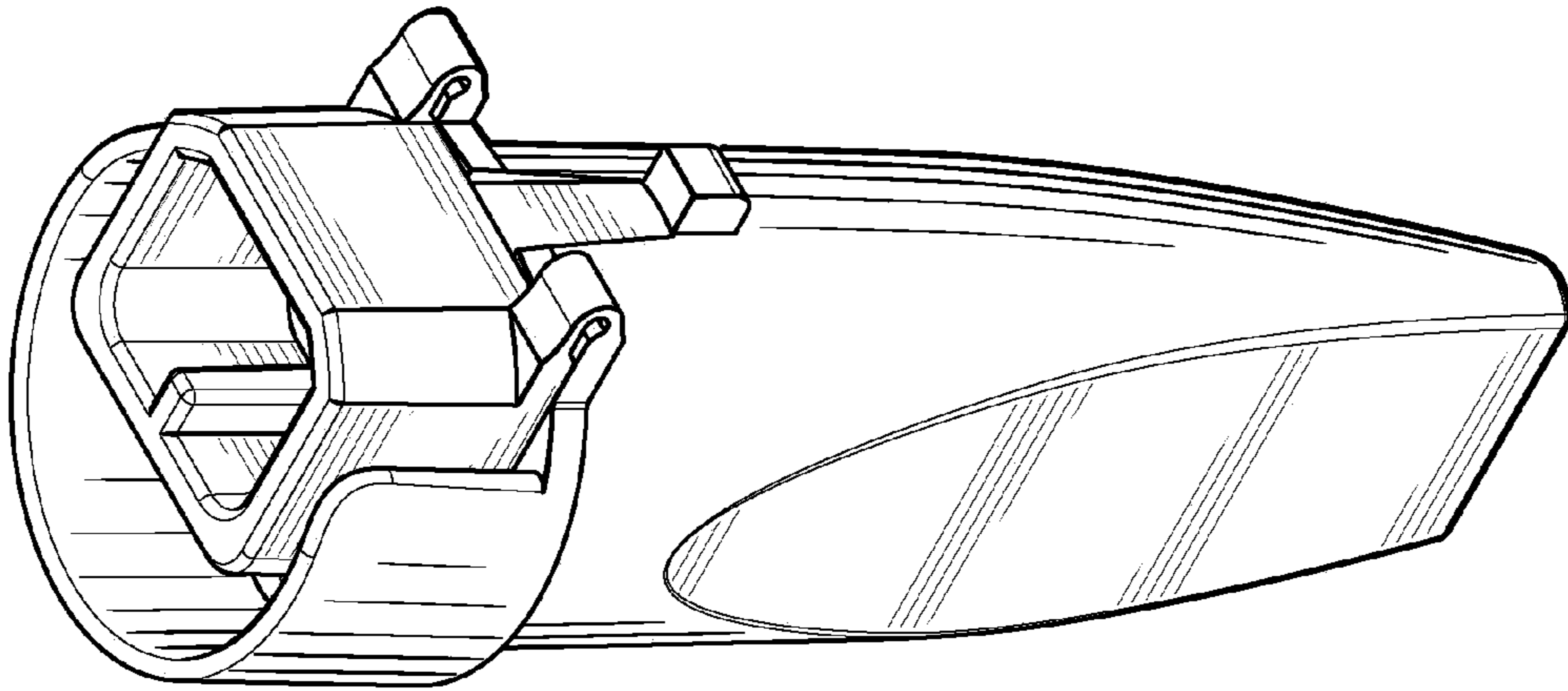
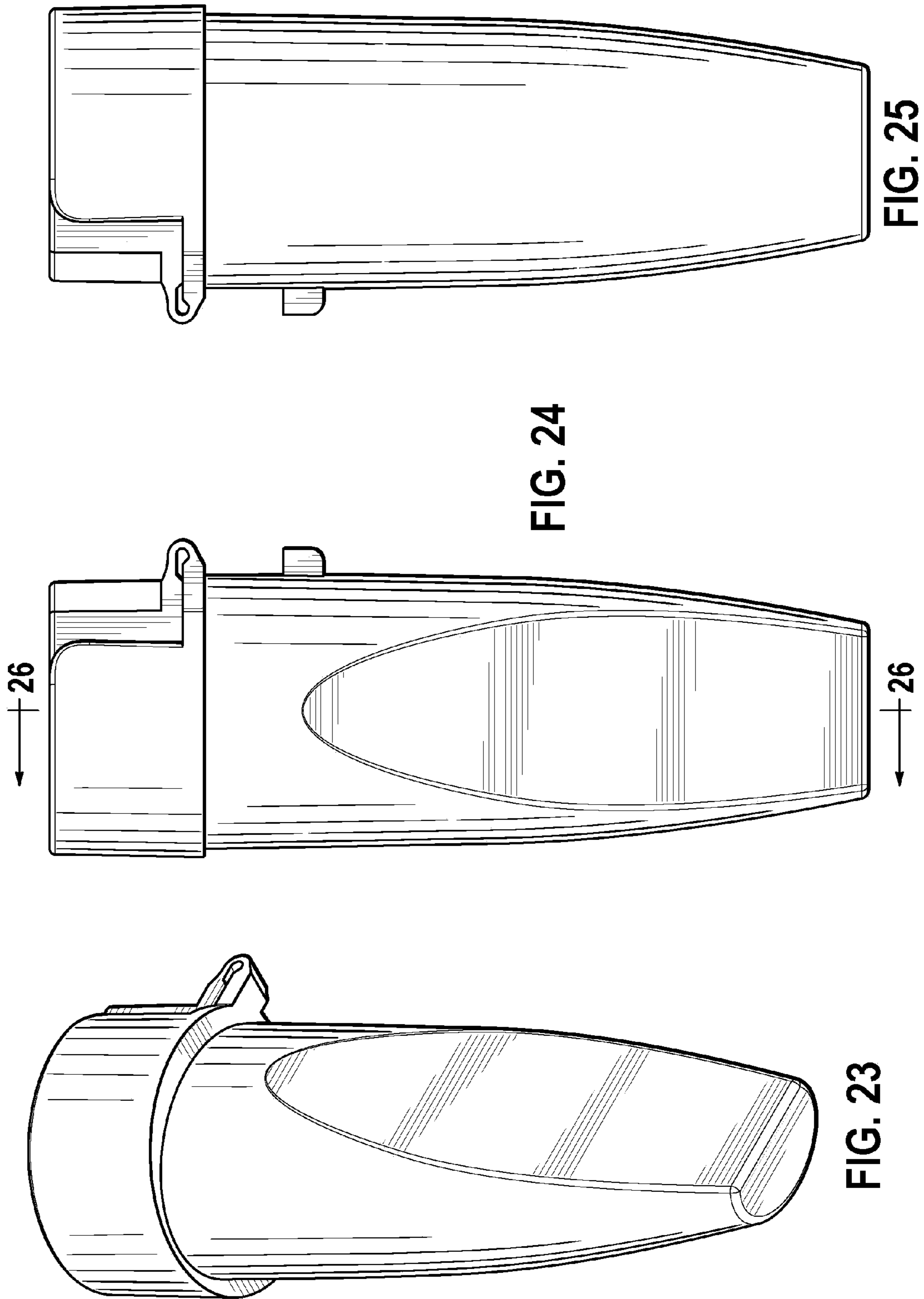
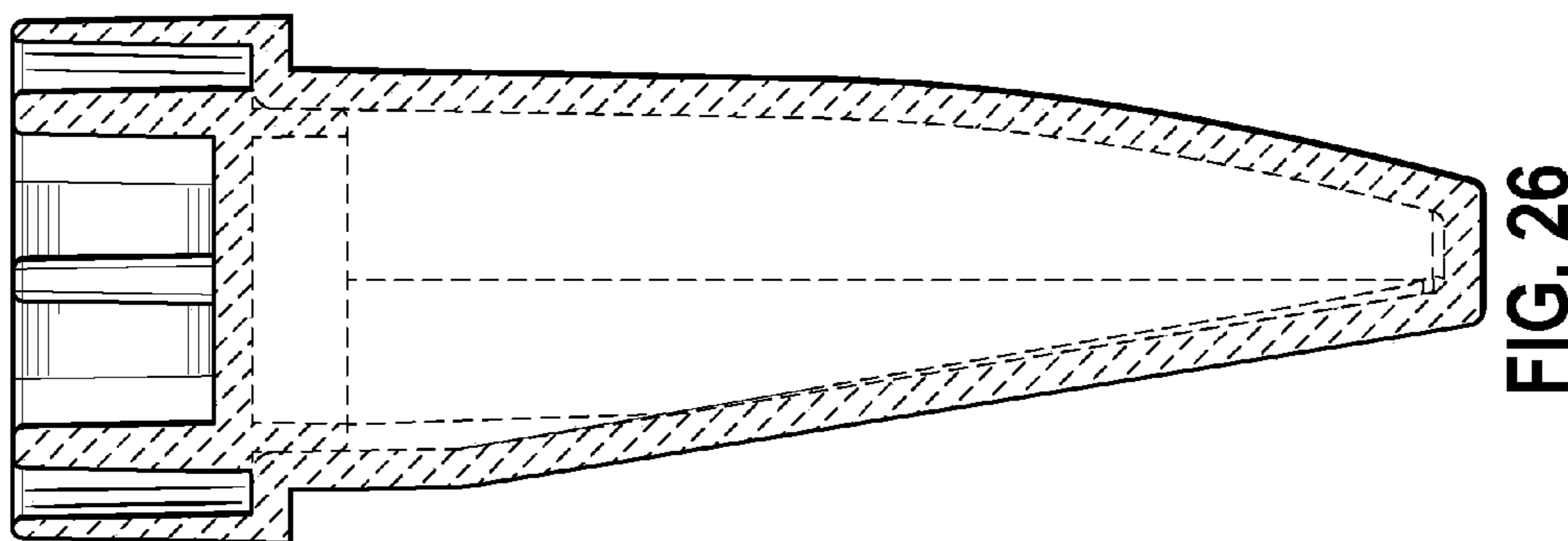
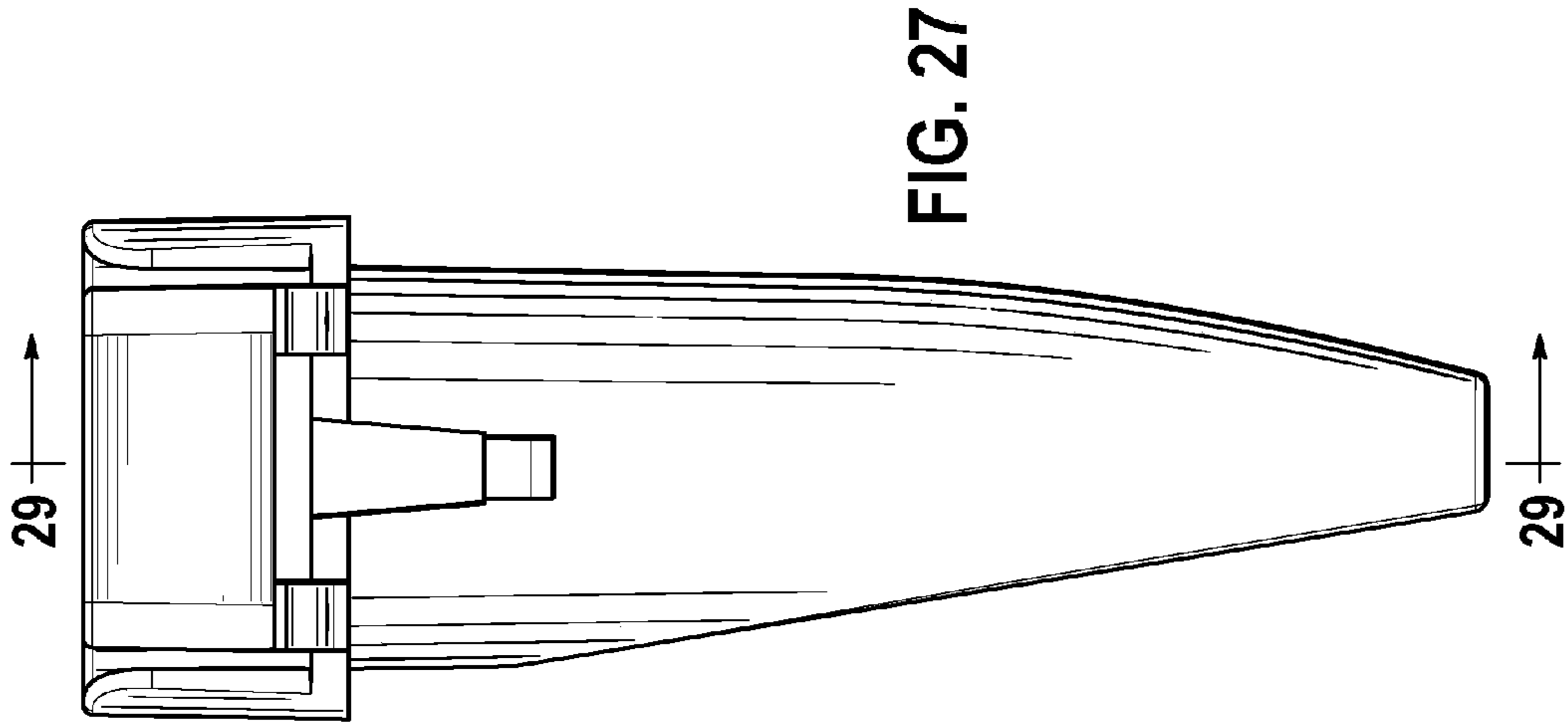


FIG. 21





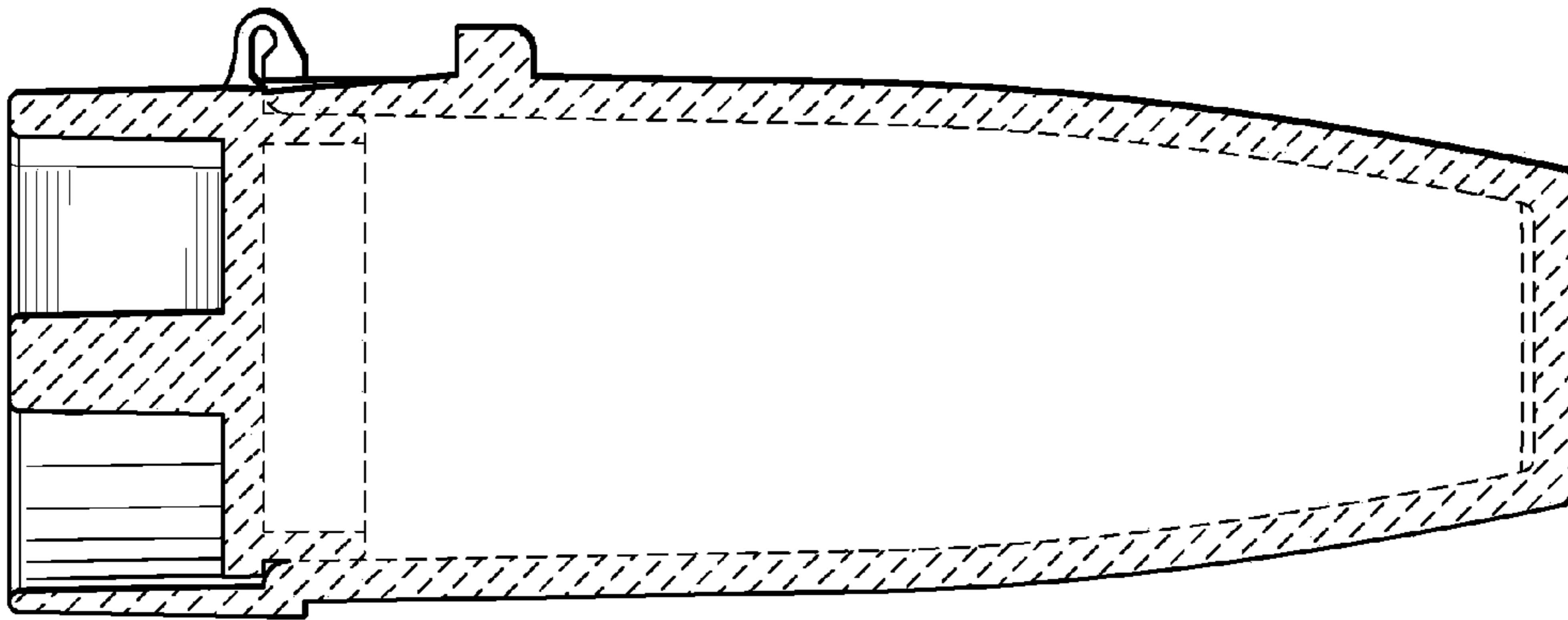


FIG. 29

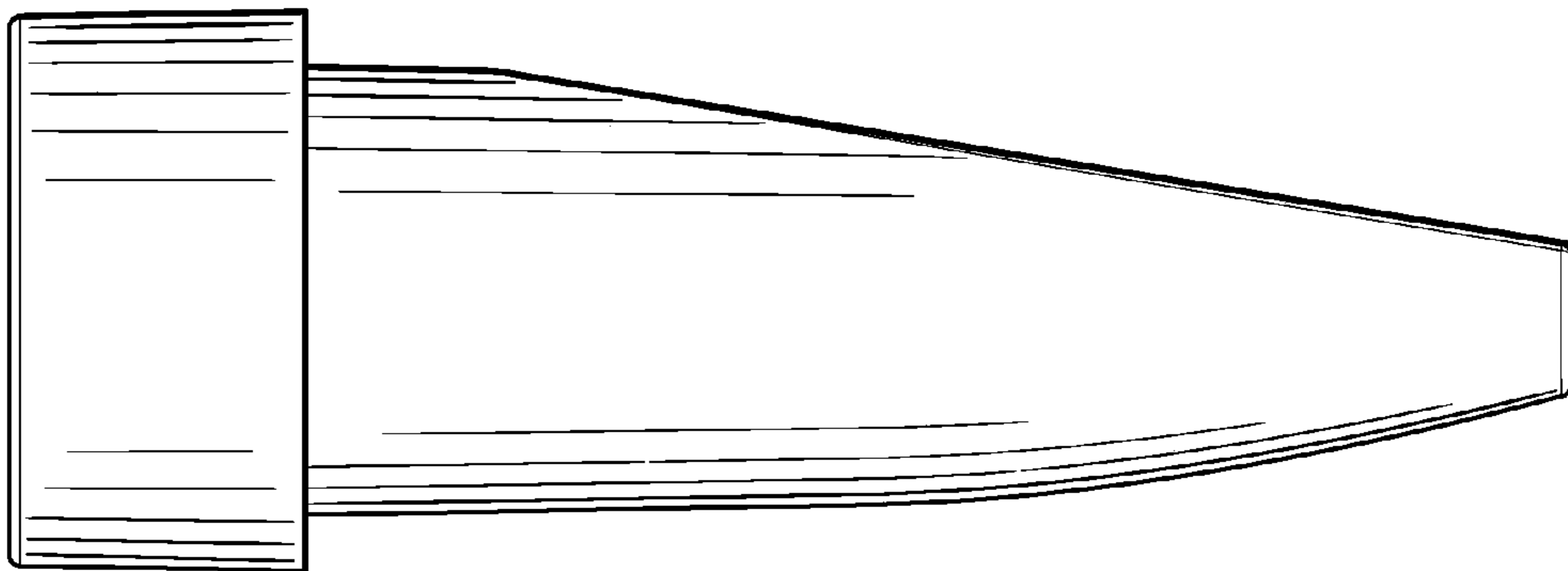


FIG. 28

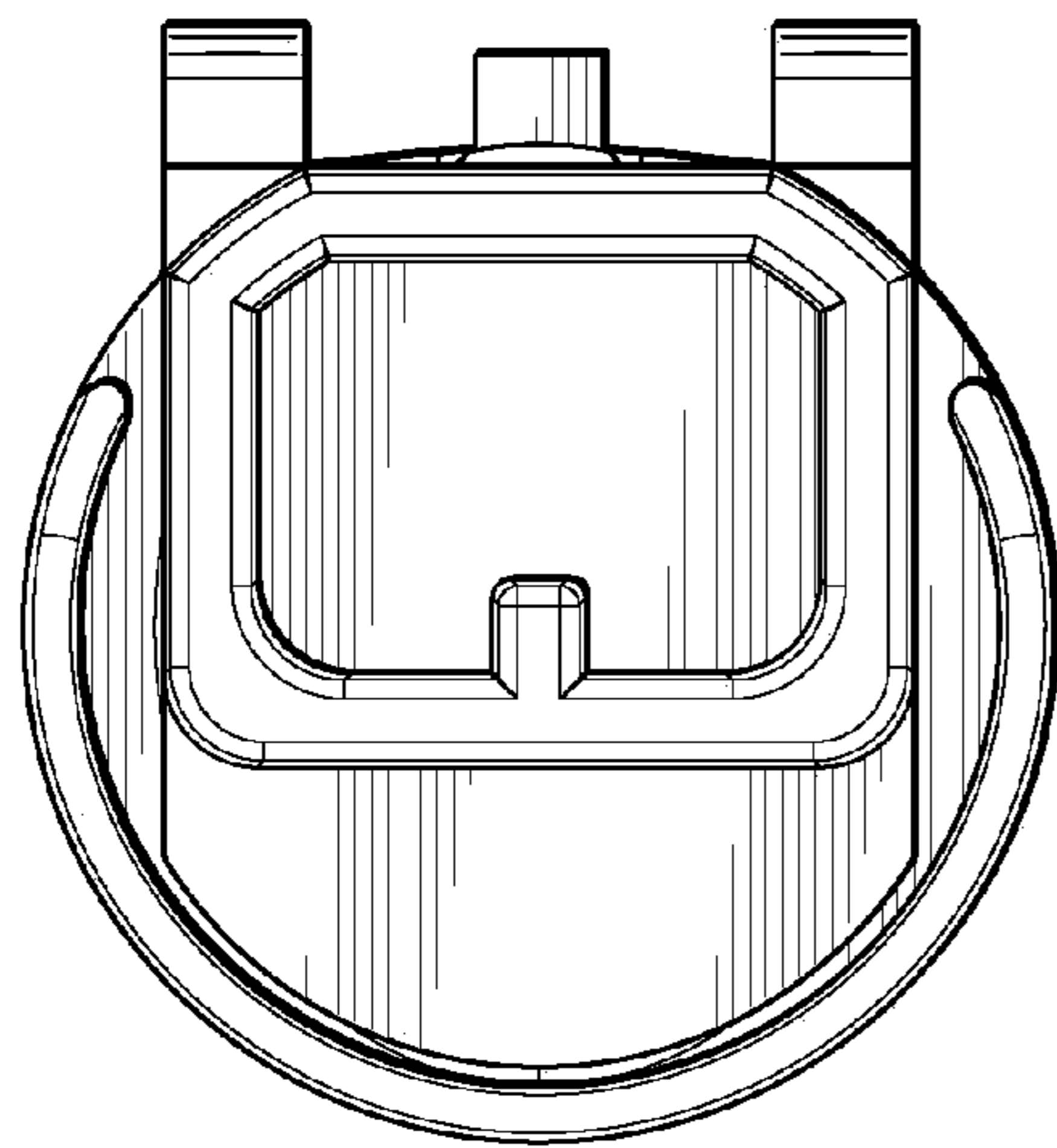


FIG. 30

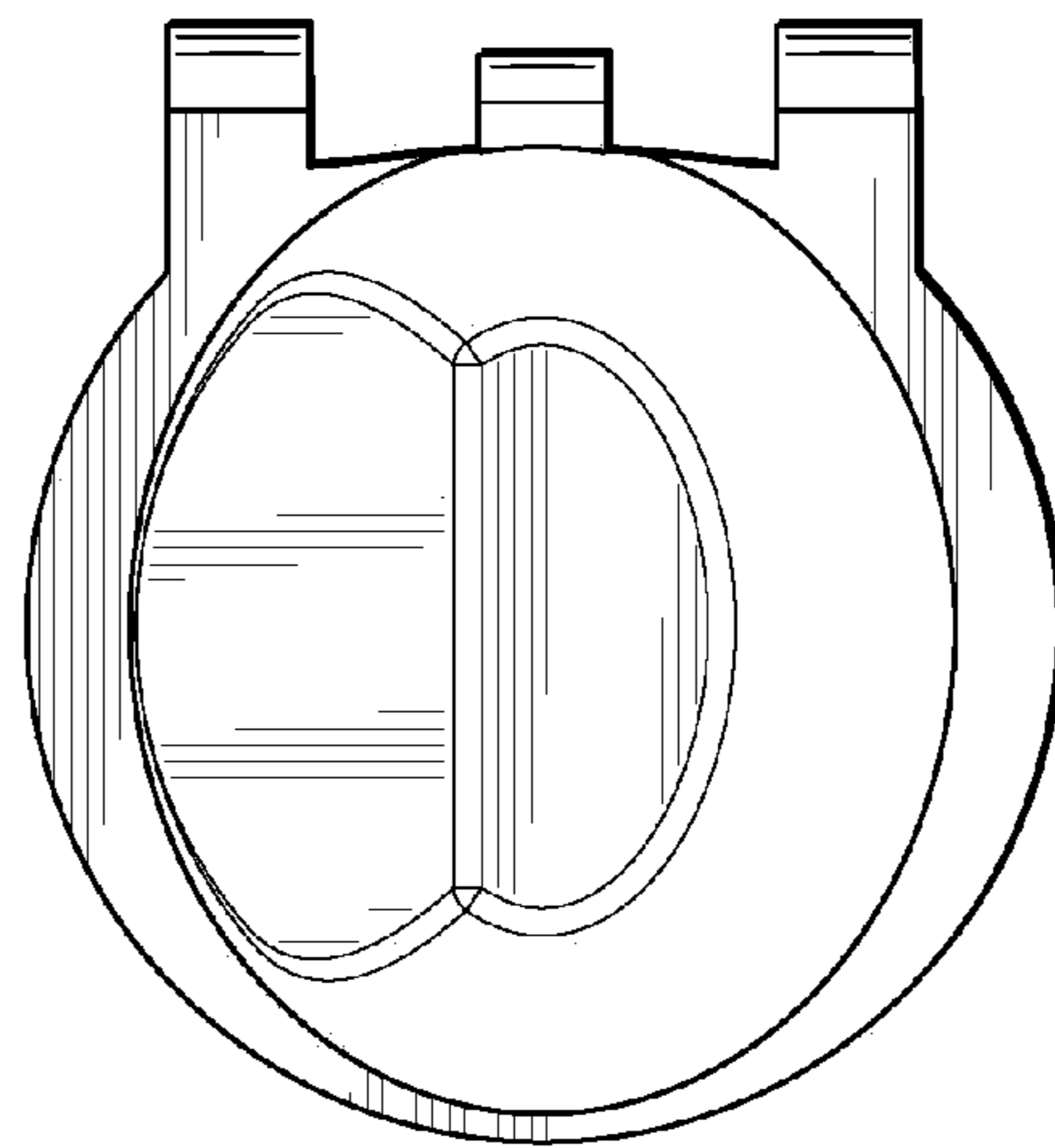


FIG. 31



UNITED STATES PATENT AND TRADEMARK OFFICE  
**CERTIFICATE OF CORRECTION**

PATENT NO. : D777,940 S  
APPLICATION NO. : 29/517970  
DATED : January 31, 2017  
INVENTOR(S) : Lauri Peltosaari et al.

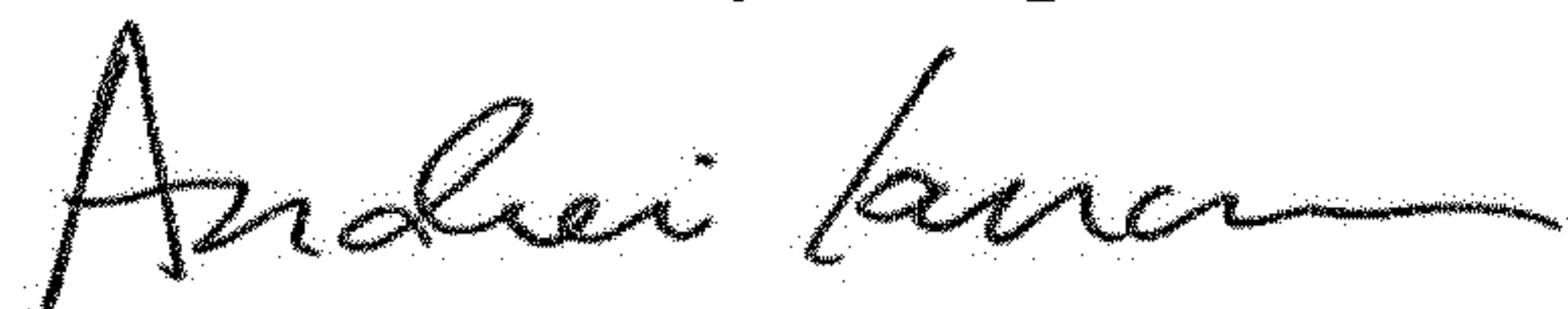
Page 1 of 1

It is certified that error appears in the above-identified patent and that said Letters Patent is hereby corrected as shown below:

On the Title Page

Item (Description) should be corrected to read:  
FIG. 6 is a right side elevational view thereof;  
FIG. 7 is a left side elevational view thereof;  
FIG. 8 is a top plan view thereof; and  
FIG. 9 is a bottom plan view thereof.

Signed and Sealed this  
Sixteenth Day of April, 2019



Andrei Iancu  
*Director of the United States Patent and Trademark Office*