



US00D777939S

(12) **United States Design Patent** (10) **Patent No.:** **US D777,939 S**
Black (45) **Date of Patent:** **** Jan. 31, 2017**

(54) **FACIAL FASCIA TISSUE FITNESS DEVICE**

(71) Applicant: **Ashley Diana Black International Holdings, LLC**, Pearland, TX (US)

(72) Inventor: **Ashley D. Black**, Pearland, TX (US)

(73) Assignee: **Ashley Diana Black International Holdings, LLC**, Pearland, TX (US)

(**) Term: **15 Years**

(21) Appl. No.: **29/568,010**

(22) Filed: **Jun. 14, 2016**

(51) **LOC (10) Cl.** **28-03**

(52) **U.S. Cl.**
USPC **D24/214; D21/662**

(58) **Field of Classification Search**
USPC D24/200, 211, 212, 213, 214, 215;
601/19, 27-32, 46, 48, 52, DIG. 12,
601/DIG. 14, DIG. 15, DIG. 16, DIG. 17,
601/38, 112, 118-121, 125; D30/160;
D21/662

CPC A61H 19/30; A61H 19/32; A61H 19/34;
A61H 19/40; A61H 19/44; A61H 19/50;
A61H 19/00; A61H 2201/0153; A61H
2201/1253; A61H 2205/082; A61H
2205/085; A61H 2205/022-2205/025;
A61H 15/0085; A61H 15/0092; A61H
15/00; A61H 13/00

See application file for complete search history.

(56) **References Cited**

U.S. PATENT DOCUMENTS

- 912,016 A 2/1909 Miller
- 965,564 A 7/1910 Coates
- D346,866 S * 5/1994 Lotuaco D24/200
- D350,608 S 9/1994 Yu
- D359,358 S 6/1995 Pecora et al.
- D373,197 S 8/1996 Schepper
- D374,084 S 9/1996 Chen
- 5,588,953 A * 12/1996 Chang A61H 15/0092
601/120
- D384,158 S * 9/1997 Kain D24/200

- D390,966 S * 2/1998 Huang D24/211
- 5,728,050 A 3/1998 Lin
- D398,401 S 9/1998 Antoskow
- D403,429 S * 12/1998 Blanchard D24/211
- D404,495 S 1/1999 Chien
- D408,925 S 4/1999 Berry et al.
- D416,427 S * 11/1999 Pecora D24/211
- D417,008 S * 11/1999 Chien D24/211
- D422,084 S * 3/2000 Mickelson D24/211

(Continued)

OTHER PUBLICATIONS

International Search Report of PCT/US2014/018043, mailed Jun. 5, 2014, 4 pps.

Primary Examiner — Sandra Snapp

(74) *Attorney, Agent, or Firm* — Dentons US LLP

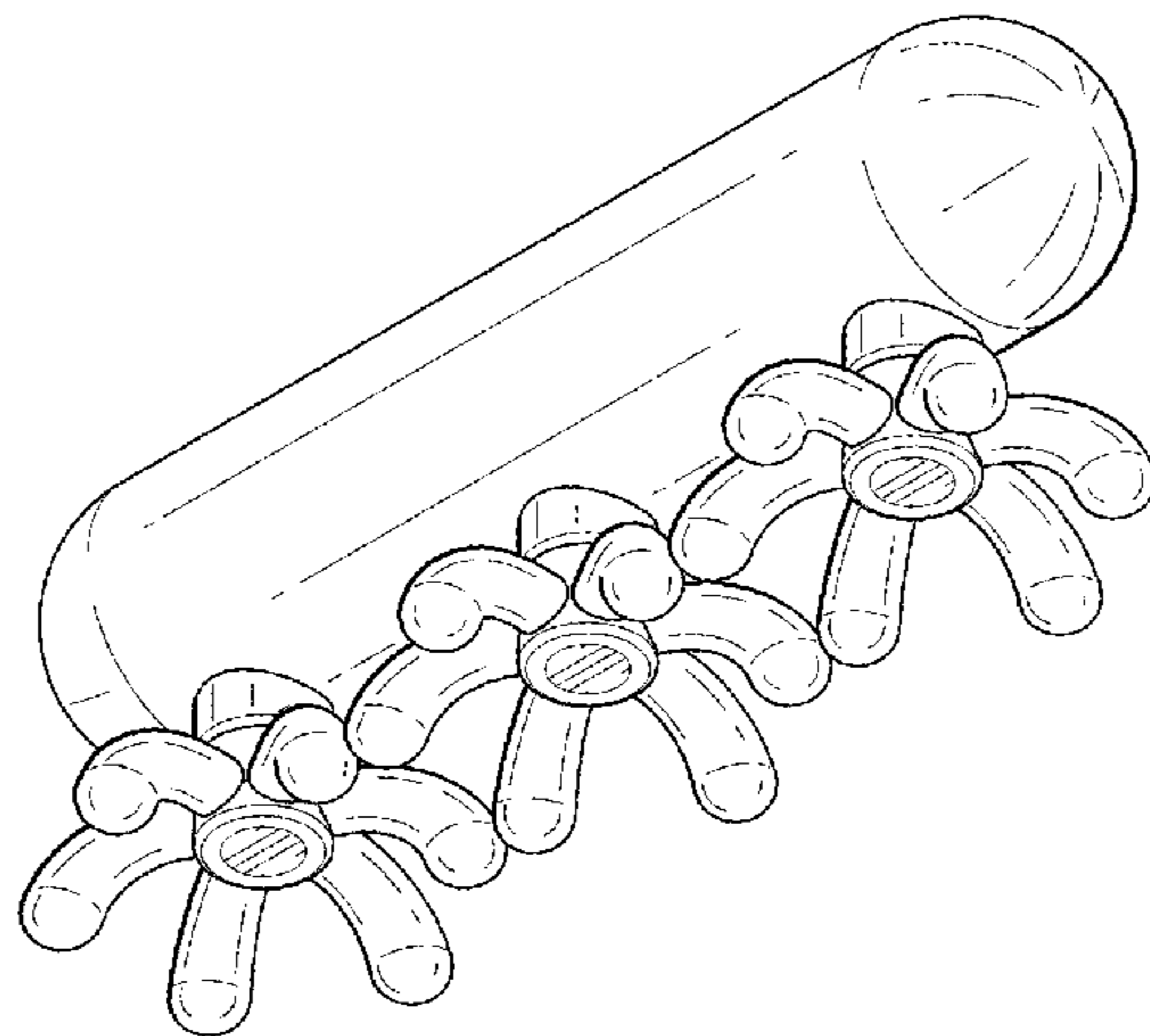
(57) **CLAIM**

The ornamental design for a facial fascia tissue fitness device, as shown and described.

DESCRIPTION

FIG. 1 is an illustration of a bottom perspective view of the facial fascia tissue fitness device;
 FIG. 2 is an illustration of a left-end view of the facial fascia tissue fitness device;
 FIG. 3 is an illustration of a right-end view of the facial fascia tissue fitness device;
 FIG. 4 is an illustration of a left-side view of the facial fascia tissue fitness device;
 FIG. 5 is an illustration of a right-side view of the facial fascia tissue fitness device;
 FIG. 6 is an illustration of a top view of the facial fascia tissue fitness device;
 FIG. 7 is an illustration of a bottom view of the facial fascia tissue fitness device; and,
 FIG. 8 is an illustration of a top perspective view of the facial fascia tissue fitness device.

1 Claim, 4 Drawing Sheets



(56)

References Cited

U.S. PATENT DOCUMENTS

D427,318	S	6/2000	Chen	
D443,067	S *	5/2001	Chen	D24/211
6,241,693	B1	6/2001	Lambden	
6,267,738	B1	7/2001	Louis	
D463,751	S *	10/2002	Wilkinson	D11/3
D466,612	S *	12/2002	Harris	D24/215
D468,084	S	1/2003	Lin	
D473,657	S *	4/2003	Lewis-Jonsson	D24/211
D475,793	S *	6/2003	Tinsley	D24/214
D479,607	S *	9/2003	Chen	D24/211
D486,236	S *	2/2004	Nan	D21/601
6,758,826	B2	7/2004	Luetngen et al.	
6,974,427	B1	12/2005	Lapham	
D515,702	S *	2/2006	Nan	D24/105
D539,432	S *	3/2007	Nan	D24/215
D556,913	S *	12/2007	Laituri	D24/214
D627,897	S *	11/2010	Yde	D24/214
D633,217	S *	2/2011	Robertson	D24/215
D648,862	S *	11/2011	Yen	D24/215
8,337,438	B2	12/2012	Schupman	
8,419,663	B2	4/2013	Eitzen	
D695,413	S *	12/2013	Grust	D24/214
D704,852	S	5/2014	Yang	
D735,818	S *	8/2015	Black	D21/662
2005/0096572	A1	5/2005	Hua	
2007/0173750	A1	7/2007	Hudock	
2010/0160841	A1	6/2010	Wu	
2010/0191161	A1	7/2010	Mouatt	
2011/0087140	A1	4/2011	Lee	
2011/0154690	A1	6/2011	Walsh	
2012/0121313	A1	5/2012	Thiebaut	
2014/0243718	A1 *	8/2014	Black	A61H 7/001 601/120

* cited by examiner

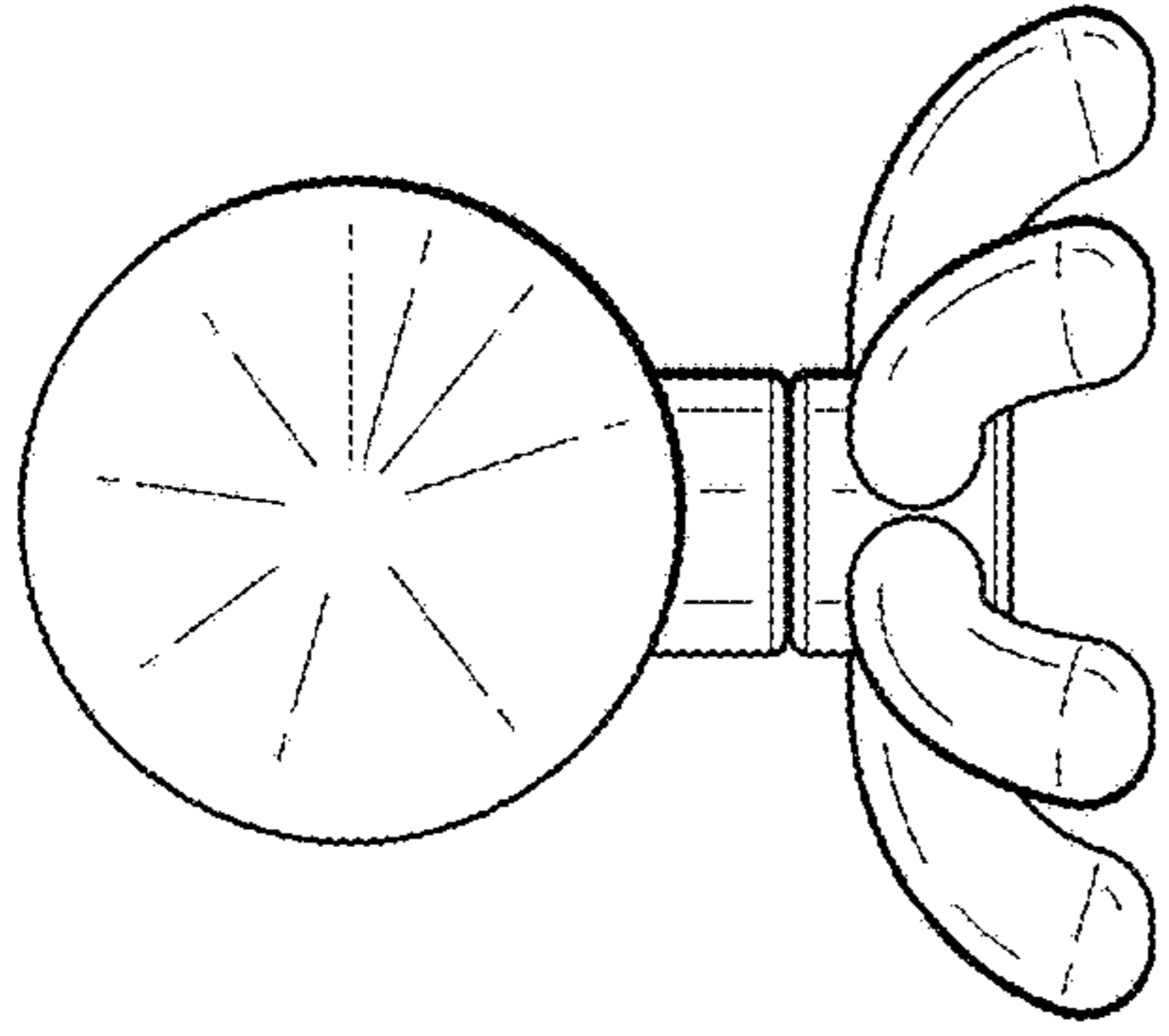


FIG. 2

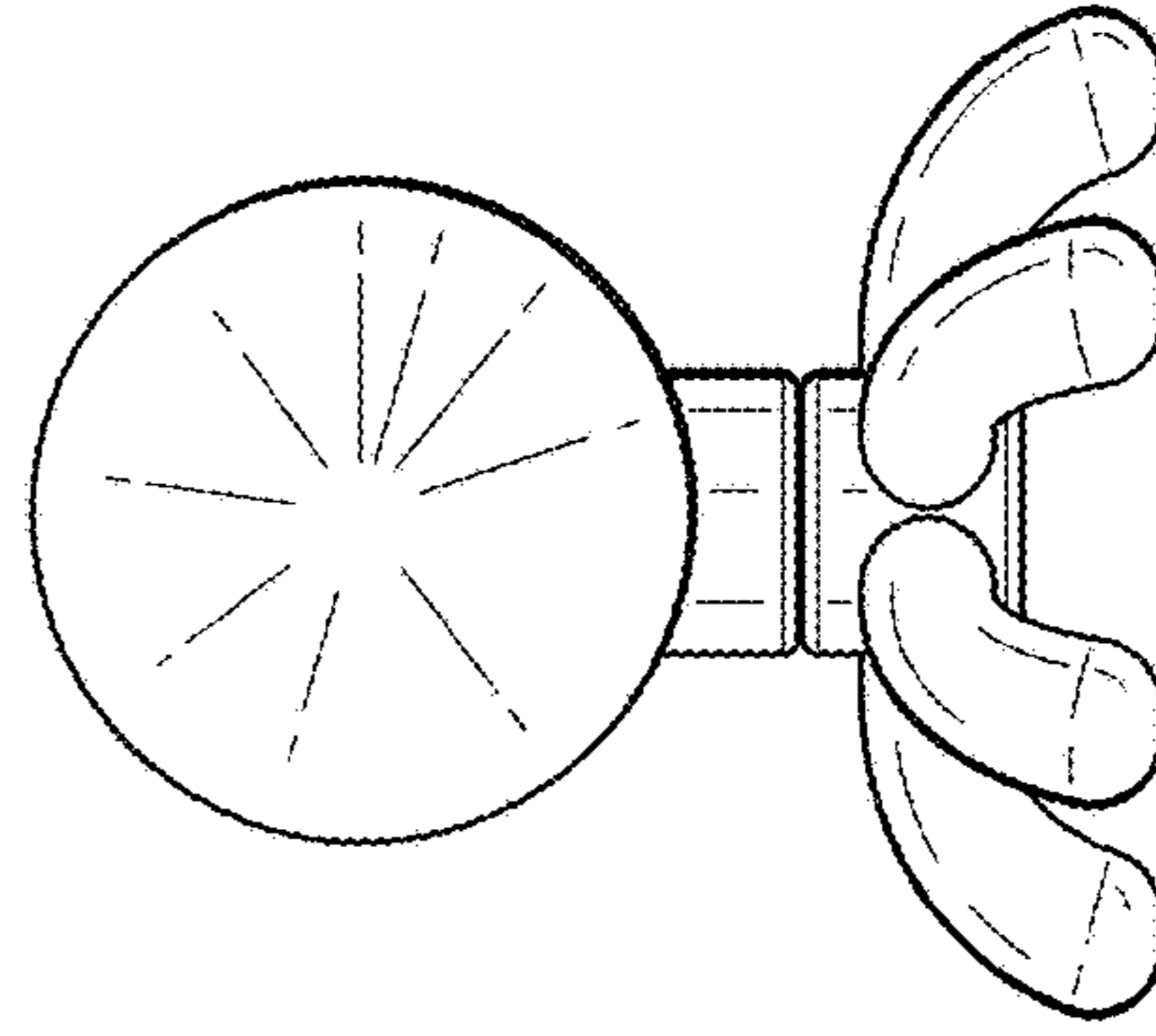


FIG. 3

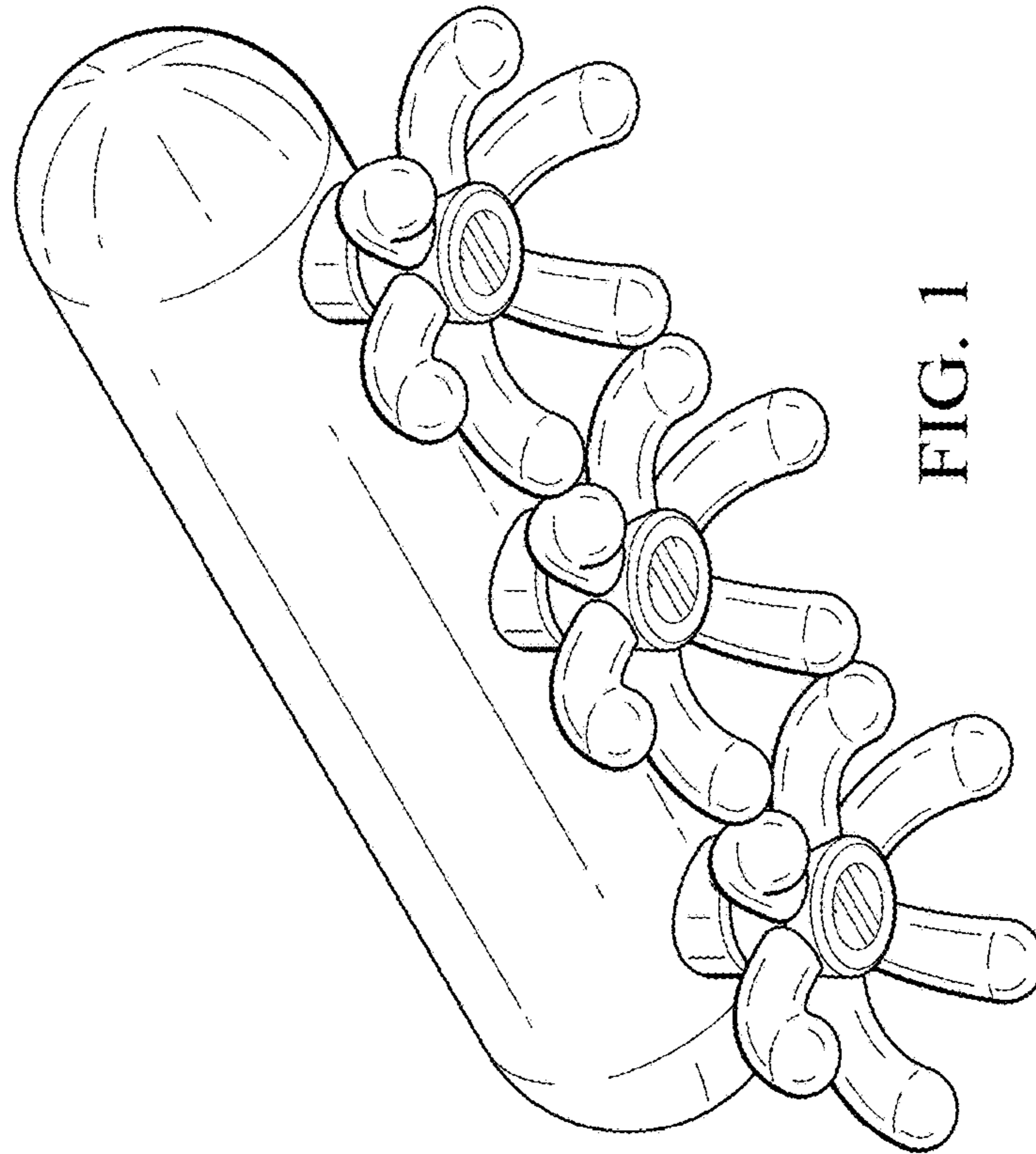


FIG. 1

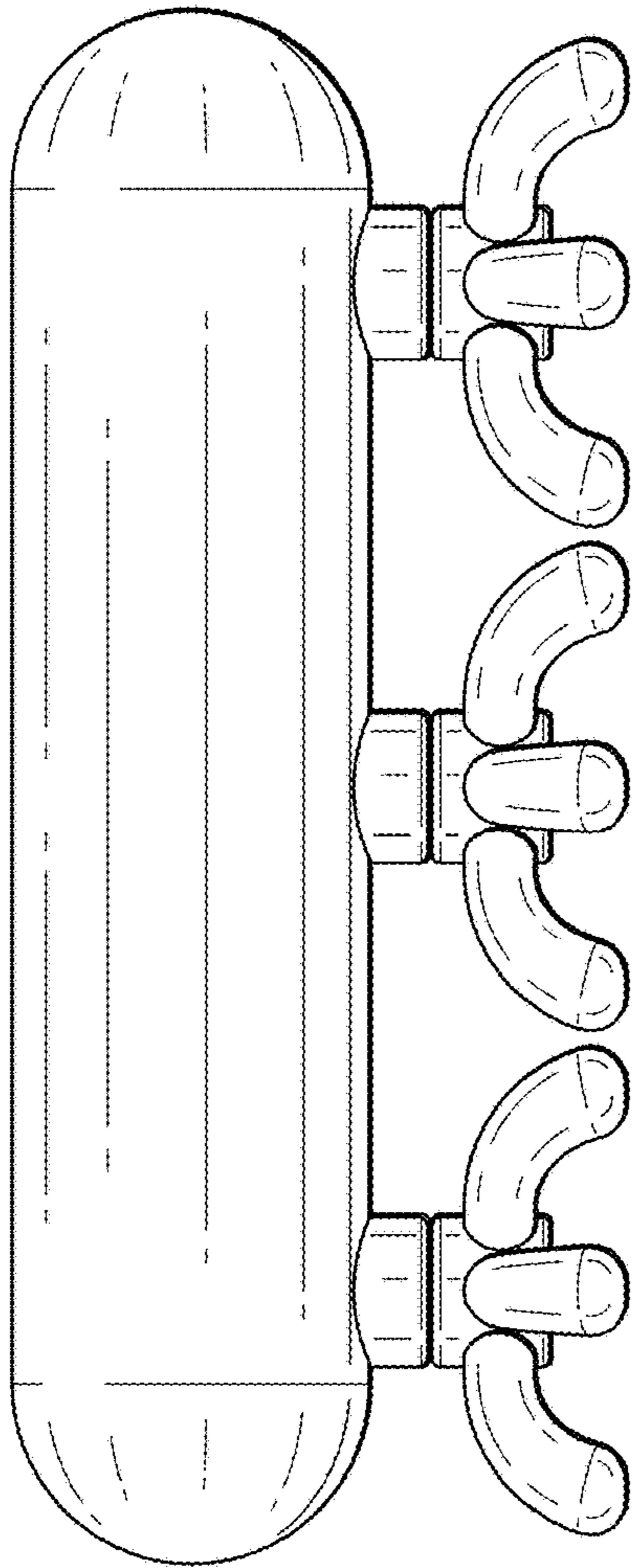


FIG. 4

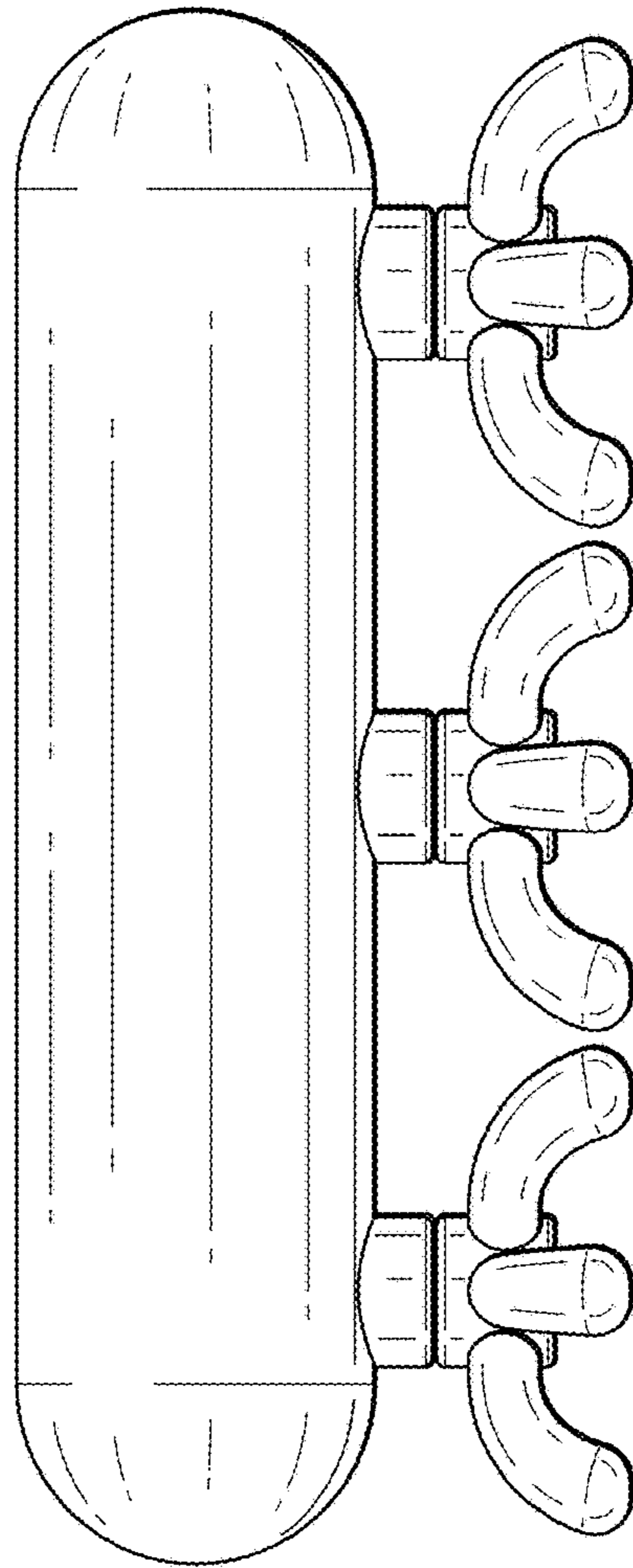


FIG. 5

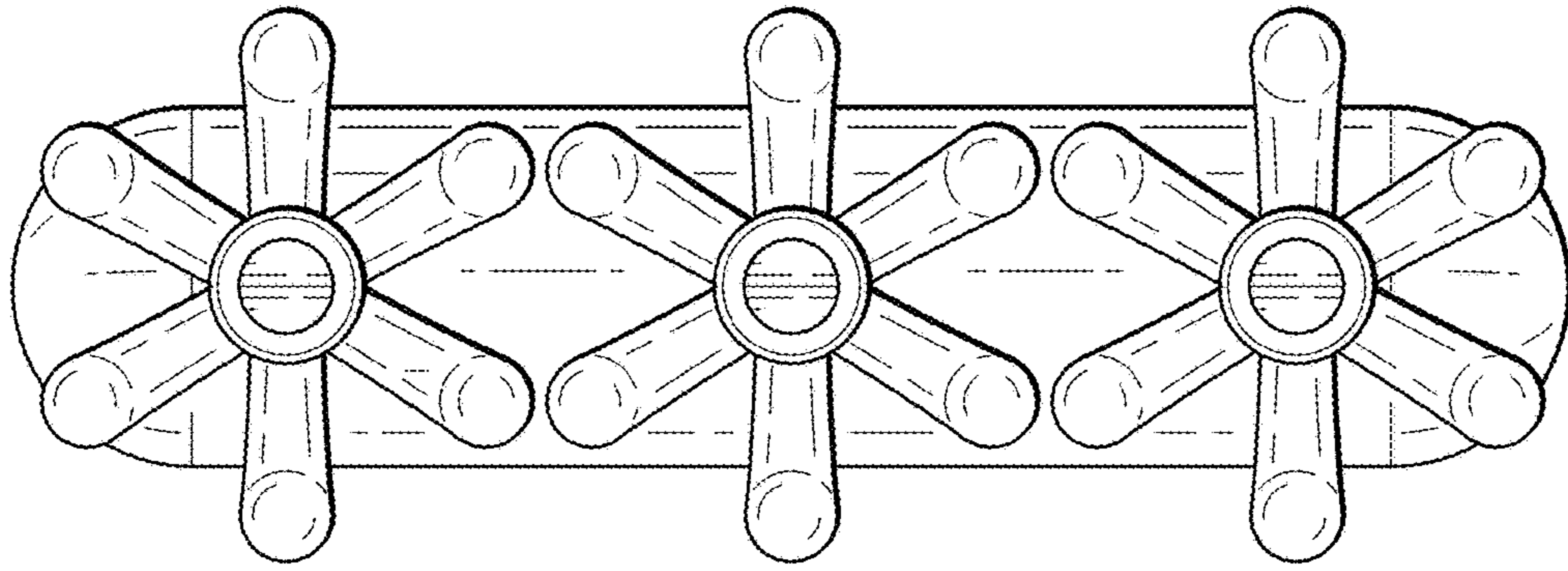


FIG. 7

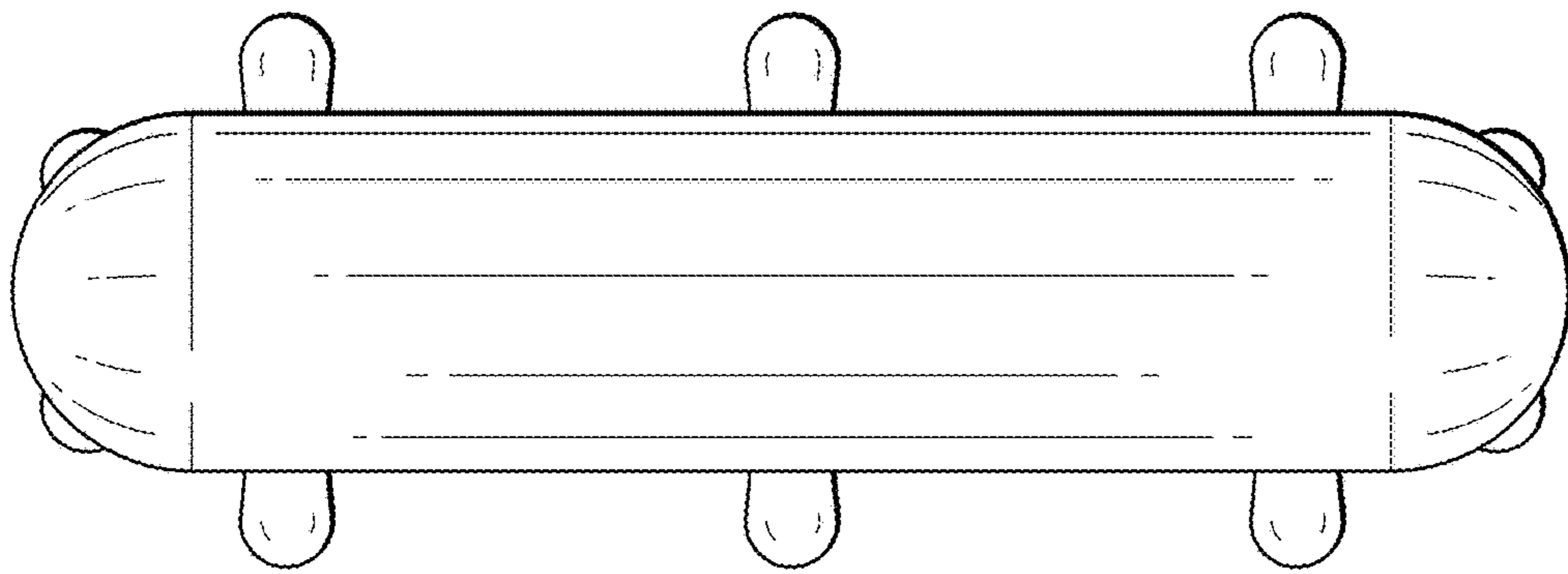


FIG. 6

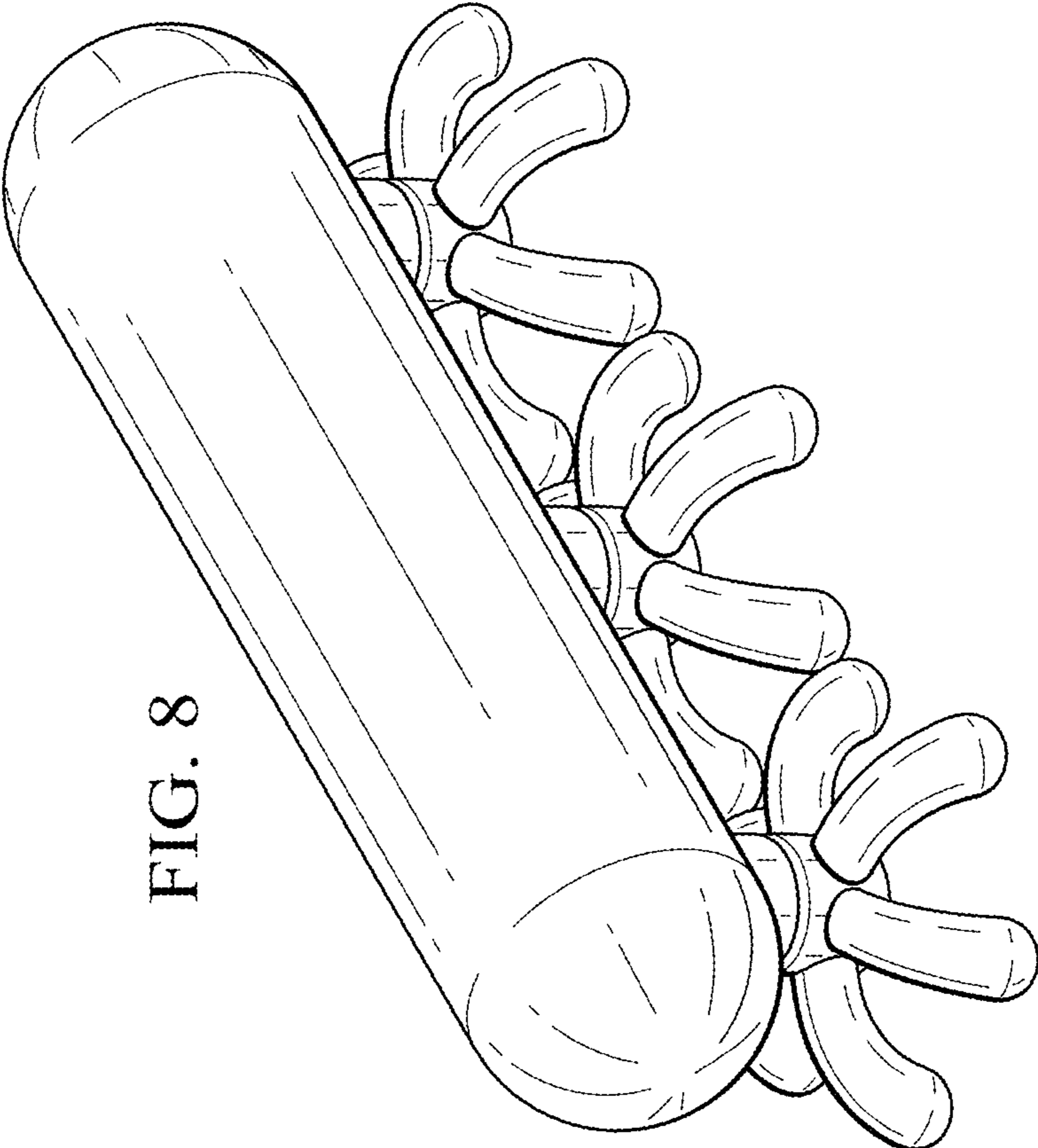


FIG. 8