



US00D777936S

(12) **United States Design Patent** (10) **Patent No.:** **US D777,936 S**
Neseem (45) **Date of Patent:** **** Jan. 31, 2017**

(54) **ARM SLING**

(71) Applicant: **Kahkashan Neseem**, Arlington, VA
(US)

(72) Inventor: **Kahkashan Neseem**, Arlington, VA
(US)

(**) Term: **15 Years**

(21) Appl. No.: **29/534,522**

(22) Filed: **Jul. 29, 2015**

(51) **LOC (10) Cl.** **29-04**

(52) **U.S. Cl.**
USPC **D24/190**

(58) **Field of Classification Search**
USPC D24/190; D29/120.1
CPC A61F 5/3738; A61F 5/3753; A61F 5/013;
A61F 5/3723; A61F 13/10; A61F 5/373;
A47C 20/023; A61G 13/1235
See application file for complete search history.

(56) **References Cited**

U.S. PATENT DOCUMENTS

3,888,244	A *	6/1975	Lebold	A61F 5/373 602/4
4,622,961	A *	11/1986	Christensen	A61F 5/3738 602/4
4,834,082	A *	5/1989	Ghadiali	A61F 5/3738 602/4
5,772,617	A *	6/1998	Lay	A61F 5/3738 128/878
7,018,349	B1 *	3/2006	Joslin	A61F 5/3738 602/20
D557,811	S *	12/2007	Brooks	D24/190
D577,123	S *	9/2008	True	D24/190
D756,525	S *	5/2016	Valdez	D24/190
2003/0163069	A1 *	8/2003	Scudere	A61F 5/3738 602/4

2006/0189906	A1 *	8/2006	Nelin	A61F 5/3738 602/4
2008/0015479	A1 *	1/2008	Soscia	A61F 5/3738 602/4
2008/0119770	A1 *	5/2008	Miller	A61F 5/3738 602/4

(Continued)

OTHER PUBLICATIONS

Canadian Office Action dated Feb. 9, 2016, in connection with corresponding Canadian Application No. 165329 (1 pg.).

Primary Examiner — George D Kirschbaum

Assistant Examiner — Jennifer Watkins

(74) *Attorney, Agent, or Firm* — Maier & Maier, PLLC

(57) **CLAIM**

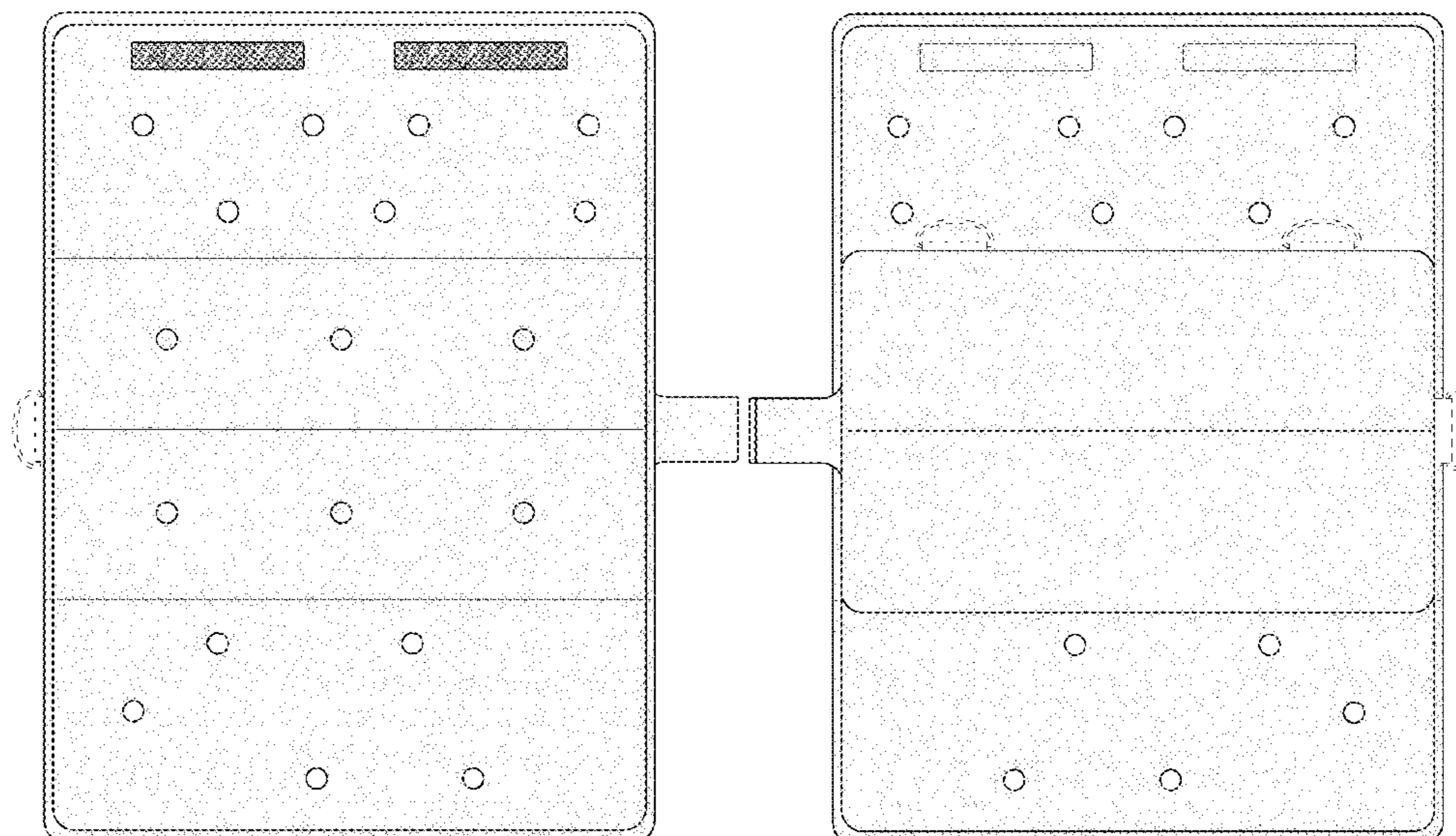
The ornamental design for an arm sling, as shown and described.

DESCRIPTION

FIG. 1 is a front view of an arm sling in a folded configuration, showing my design;
 FIG. 2 is a rear view of FIG. 1;
 FIG. 3 is a front view of the arm sling in an open configuration;
 FIG. 4 is a rear view of FIG. 3;
 FIG. 5 is a bottom view of FIG. 3;
 FIG. 6 is a left side view of FIG. 3;
 FIG. 7 is a right side view of FIG. 3;
 FIG. 8 is a top view of FIG. 3; and,
 FIG. 9 is a perspective view of the arm sling in a folded cylindrical configuration.

The arm sling is shown with a symbolic break in its length. The appearance of any portion of the article between the break lines forms no part of the claim. The broken lines in the figures are for the purpose of illustrating portions of an arm sling and form no part of the claim.

1 Claim, 5 Drawing Sheets



(56)

References Cited

U.S. PATENT DOCUMENTS

2008/0183118 A1* 7/2008 Weinberg A61F 7/02
602/41
2009/0088673 A1* 4/2009 Bittar A61F 5/3738
602/4
2011/0218468 A1* 9/2011 Neseem A61F 5/00
602/4

* cited by examiner

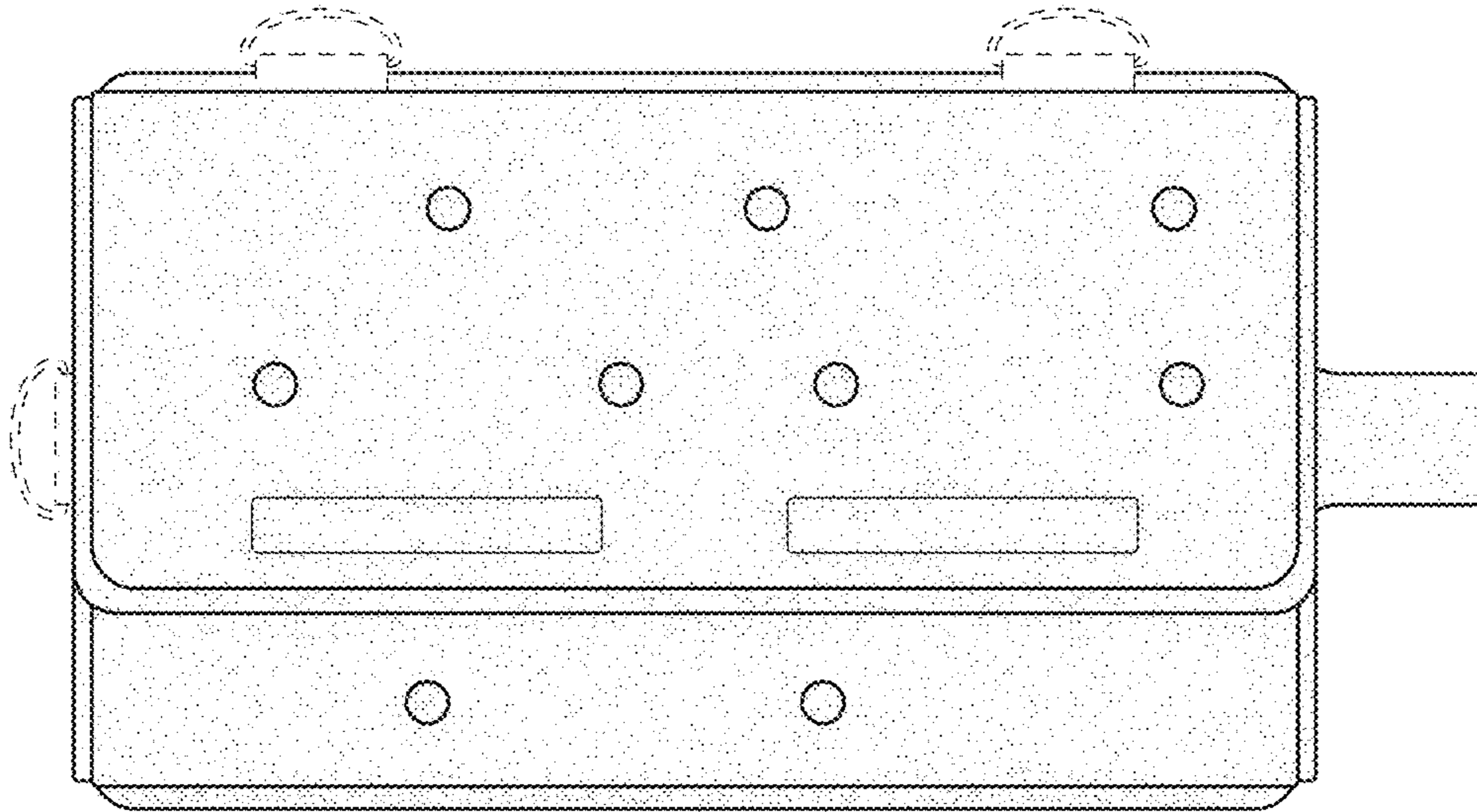


Fig. 1

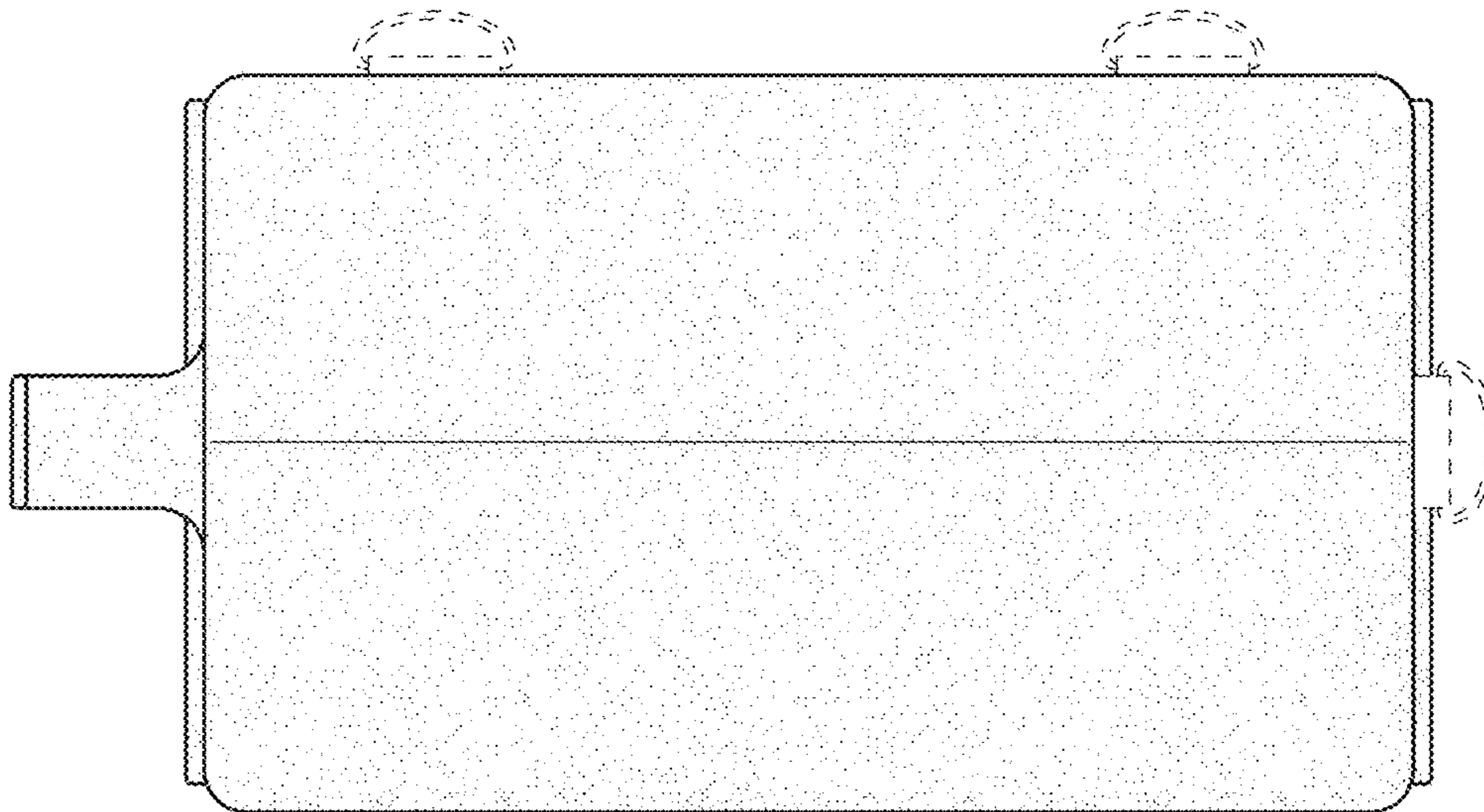


Fig. 2

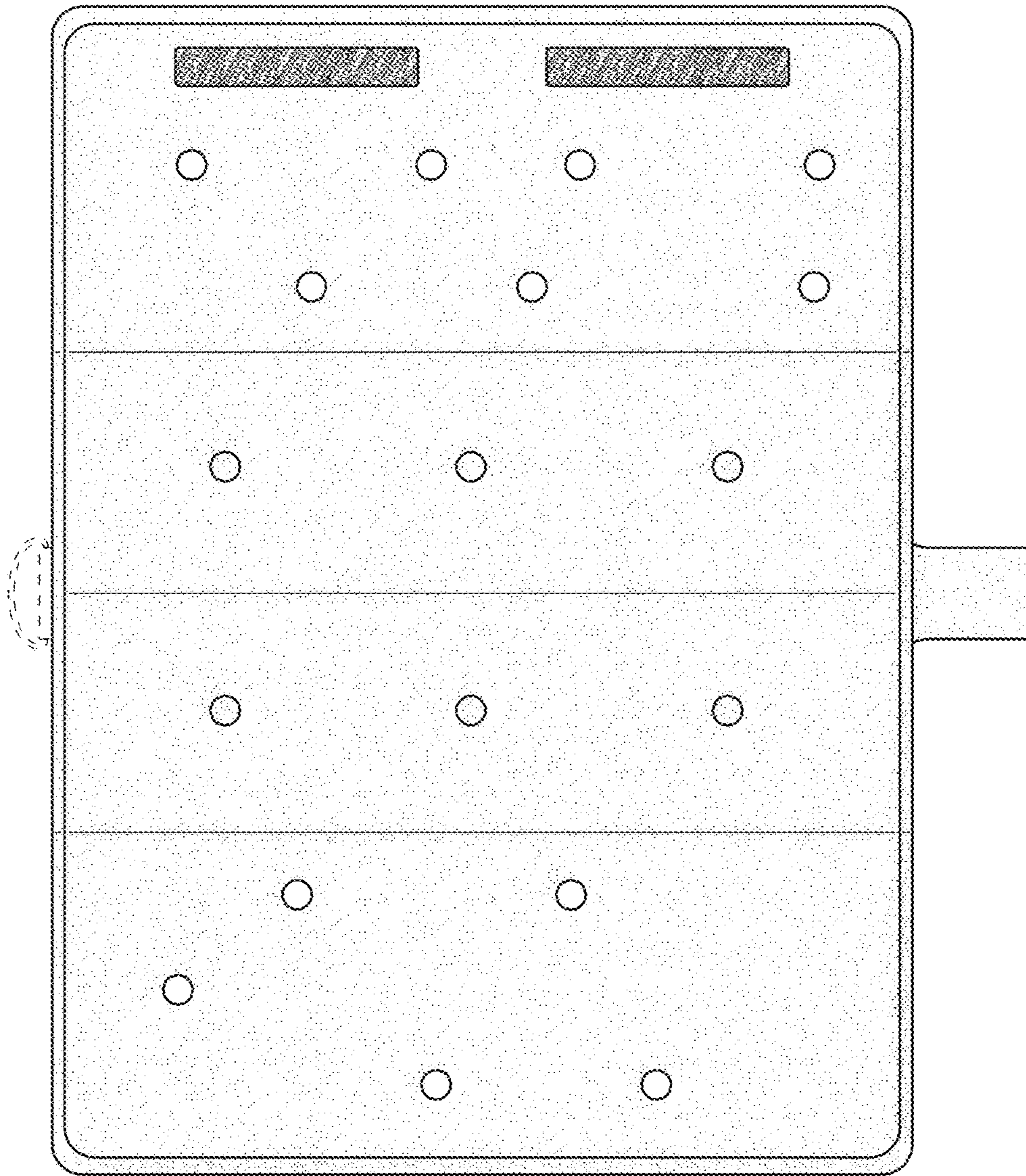


Fig. 3

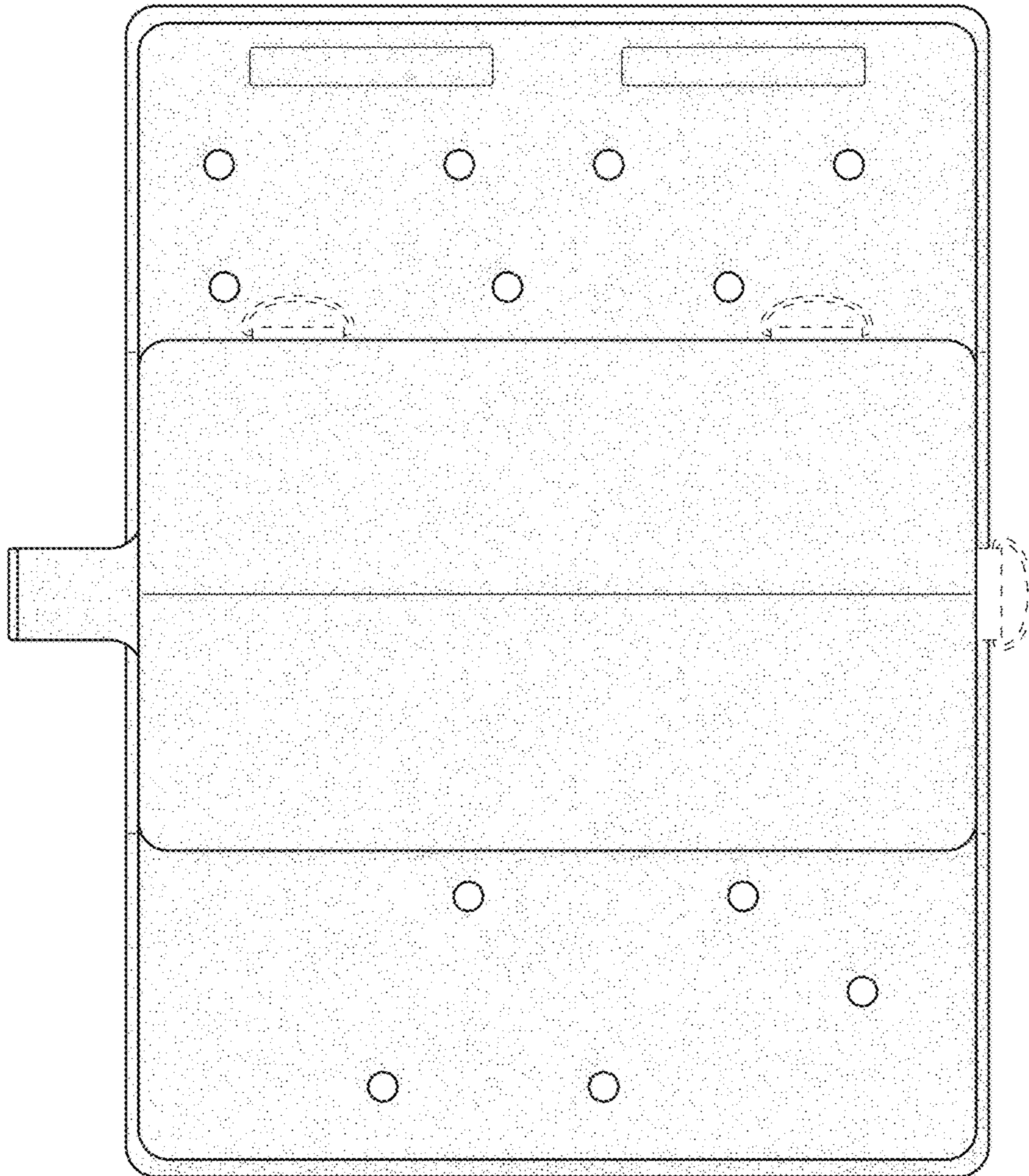


Fig. 4

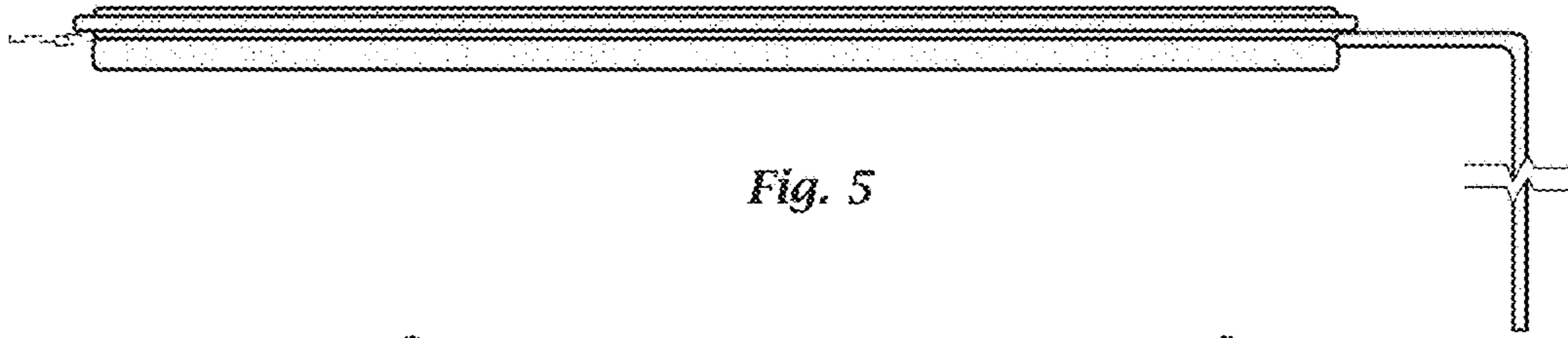


Fig. 5

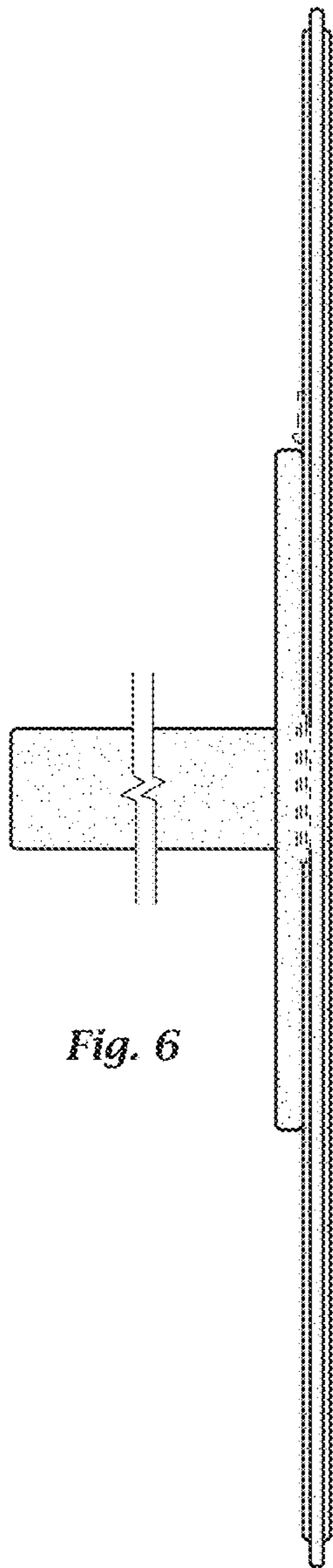


Fig. 6

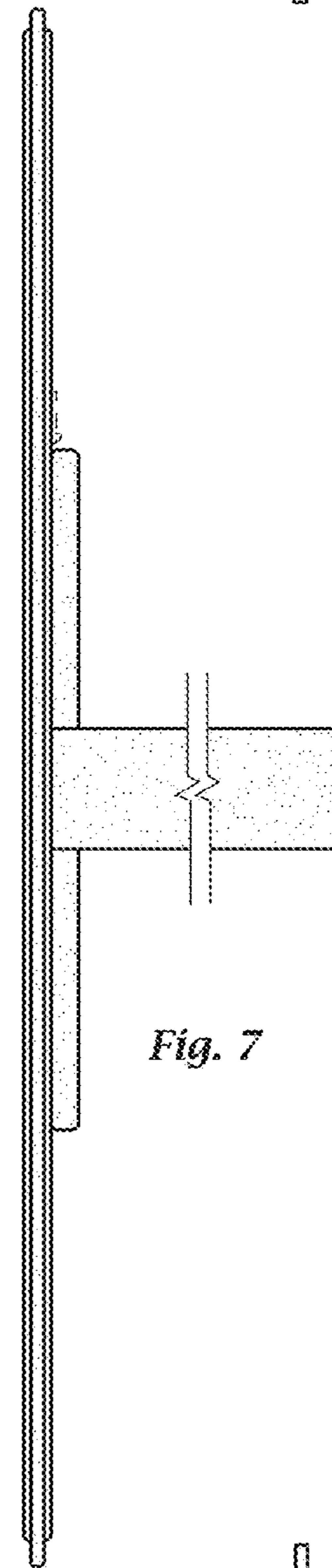


Fig. 7



Fig. 8

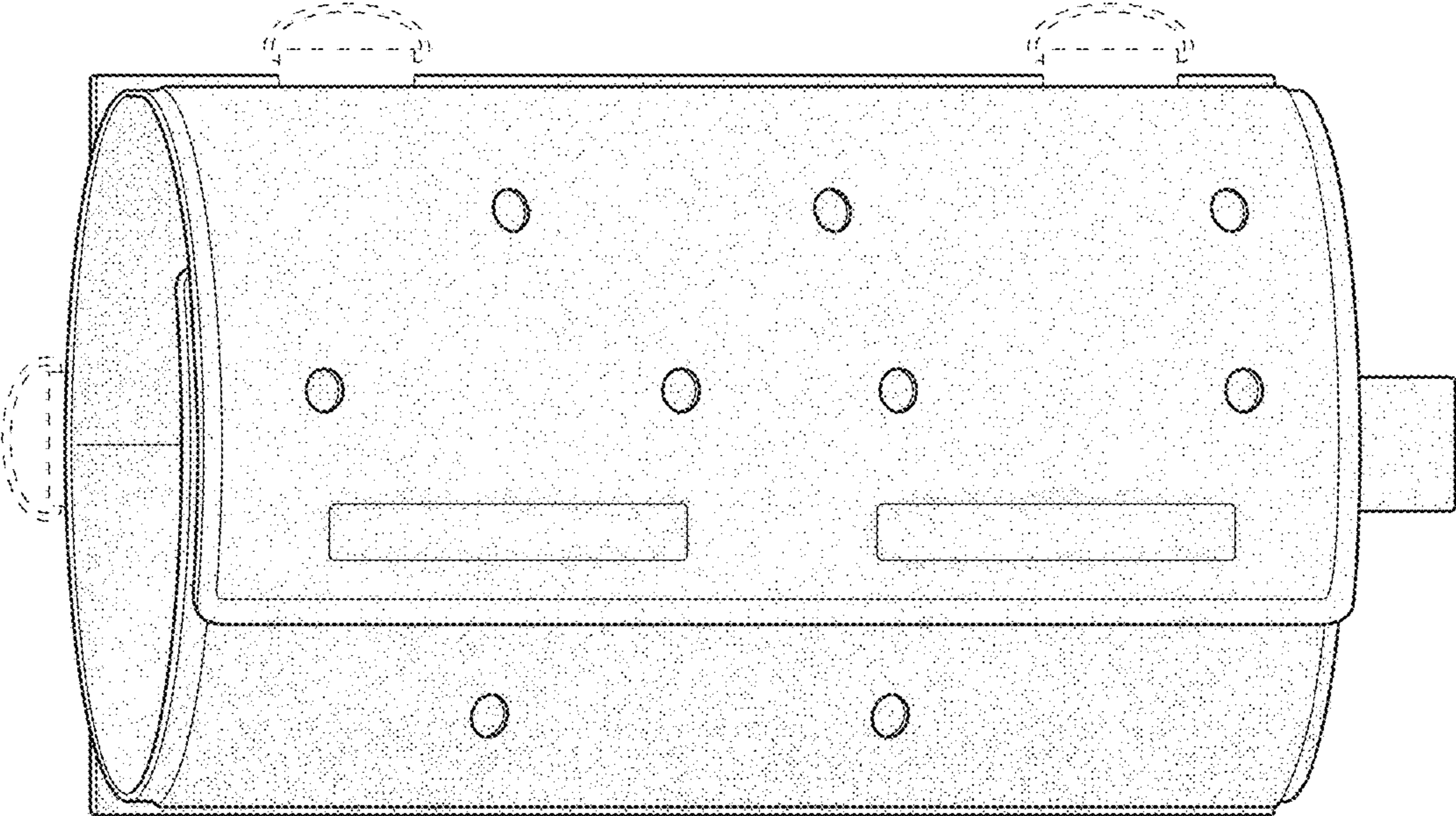


Fig. 9