



US00D777933S

(12) **United States Design Patent**
Hrenchir et al.

(10) **Patent No.:** **US D777,933 S**
(45) **Date of Patent:** **** Jan. 31, 2017**

(54) **UNIVERSAL CART**
(71) Applicant: **COVIDIEN LP**, Mansfield, MA (US)
(72) Inventors: **Paul R. Hrenchir**, Longmont, CO (US); **Jeffrey A. Hammond**, Longmont, CO (US); **Matthew Bettman**, Redwood City, CA (US); **Philip Bourgeois**, Woodside, CA (US); **Jody A. Solem**, Lafayette, CO (US); **Francisco E. Varela**, Denver, CO (US); **Christopher Rainieri**, Erie, CO (US)

D477,083 S 7/2003 Bromley
D542,999 S 5/2007 Japuntich et al.
D567,761 S 4/2008 Waaler et al.
D625,071 S * 10/2010 Shigeno D24/185
D700,704 S * 3/2014 Kitt D24/185
D700,705 S * 3/2014 Kitt D24/185
8,840,175 B2 * 9/2014 Short A61G 12/001
297/119
2008/0029981 A1 * 2/2008 Dukes B62B 3/10
280/47.35
2014/0138925 A1 * 5/2014 Ono B62B 3/02
280/35

(73) Assignee: **COVIDIEN LP**, Mansfield, MA (US)
(**) Term: **15 Years**

JP 2009189547 A 8/2009
JP 2009201832 A 9/2009
KR 101155322 B1 7/2012

* cited by examiner

(21) Appl. No.: **29/530,666**

Primary Examiner — Wan Laymon

(22) Filed: **Jun. 18, 2015**

(57) **CLAIM**

(51) **LOC (10) Cl.** **24-01**

The ornamental design for a universal cart, as shown and described.

(52) **U.S. Cl.**
USPC **D24/185**

DESCRIPTION

(58) **Field of Classification Search**
USPC D24/185–186, 183; D34/17, 19, 21
CPC A61B 50/13; A61B 50/24; A61G 12/001;
B62B 3/02; B62B 3/10; B62B 3/006
See application file for complete search history.

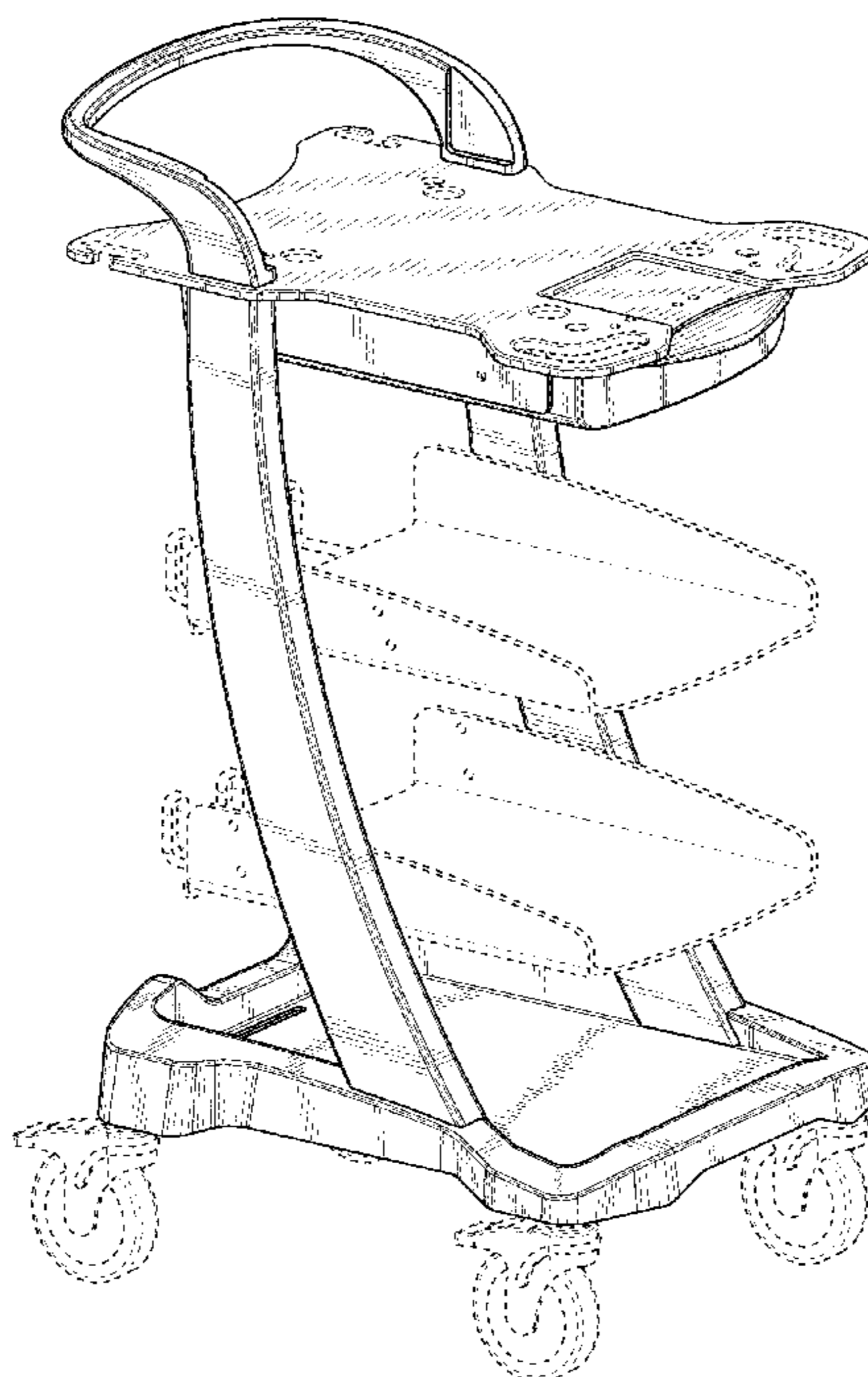
FIG. 1 is a front perspective view of a universal cart in accordance with the present design;
FIG. 2 is a right side view of the universal cart thereof;
FIG. 3 is a left side view of the universal cart thereof;
FIG. 4 is a front elevational view of the universal cart thereof;
FIG. 5 is a rear elevational view of the universal cart thereof;
FIG. 6 is a top plan view of the universal cart thereof; and,
FIG. 7 is a bottom plan view of the universal cart thereof.
The broken lines shown in the drawings illustrate portions of the universal cart that form no part of the claimed design.

(56) **References Cited**

U.S. PATENT DOCUMENTS

D337,822 S * 7/1993 Janke D24/185
5,518,310 A 5/1996 Ellman et al.
6,102,497 A 8/2000 Ehr et al.
D477,082 S 7/2003 Bromley

1 Claim, 7 Drawing Sheets



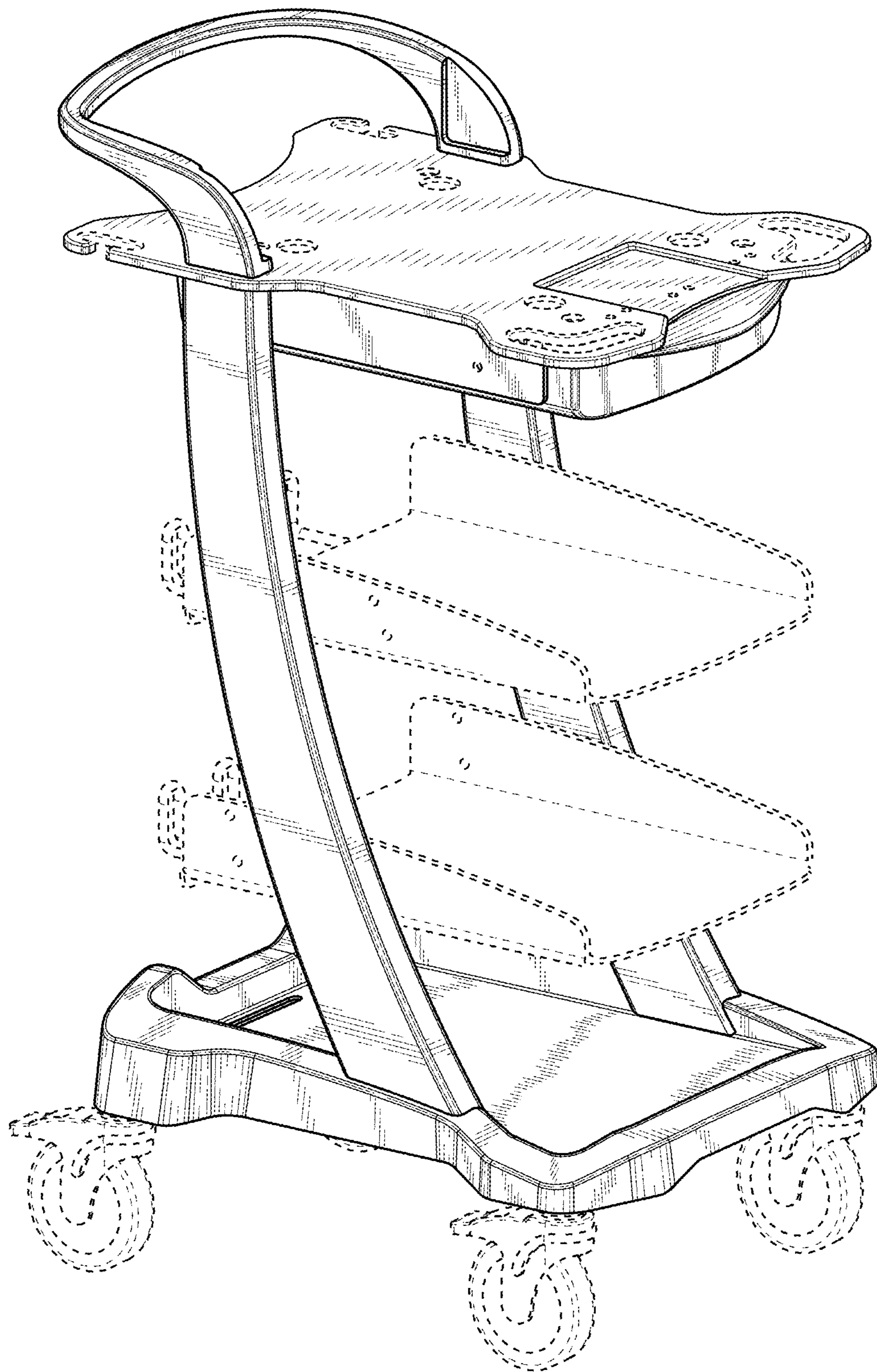


FIG. 1

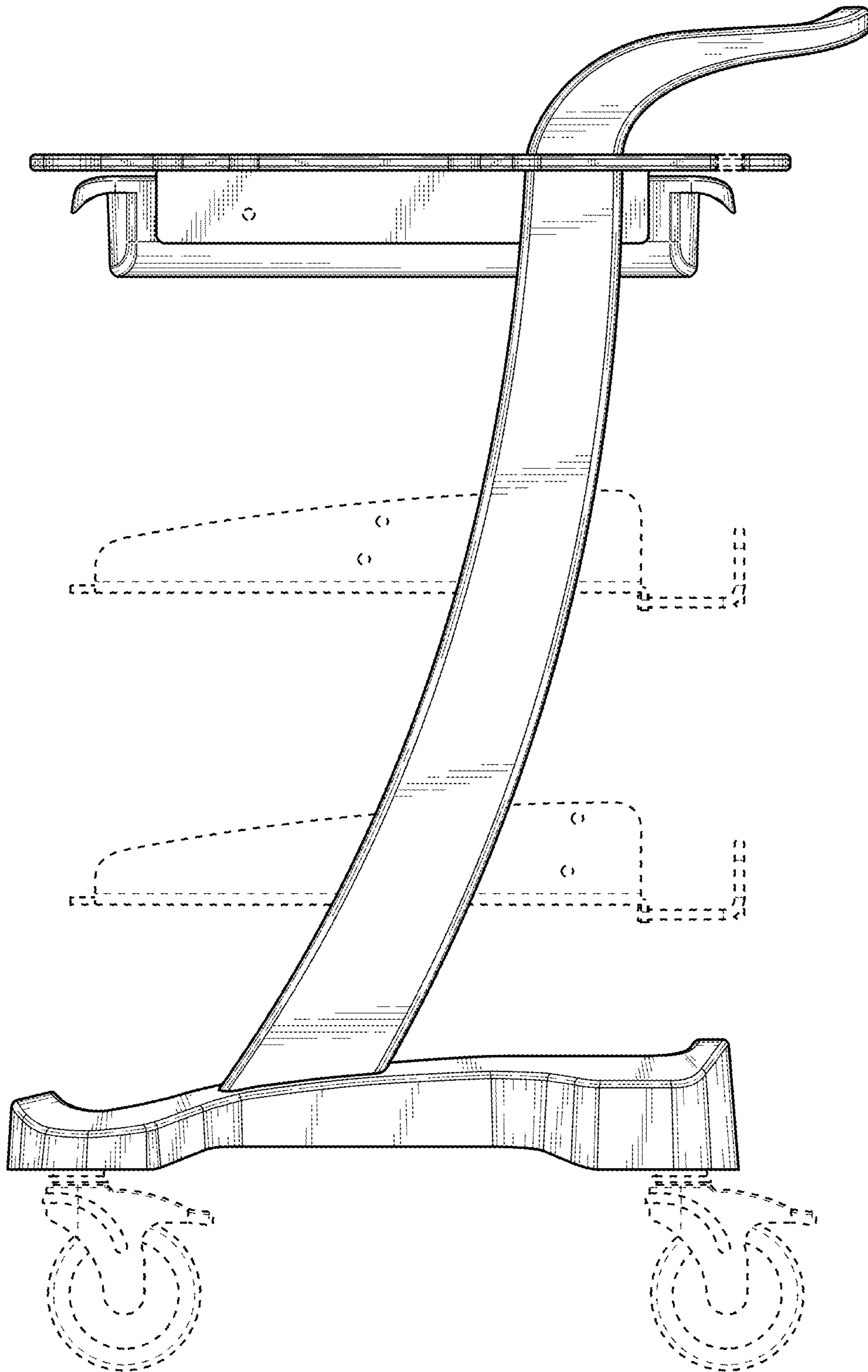


FIG. 2

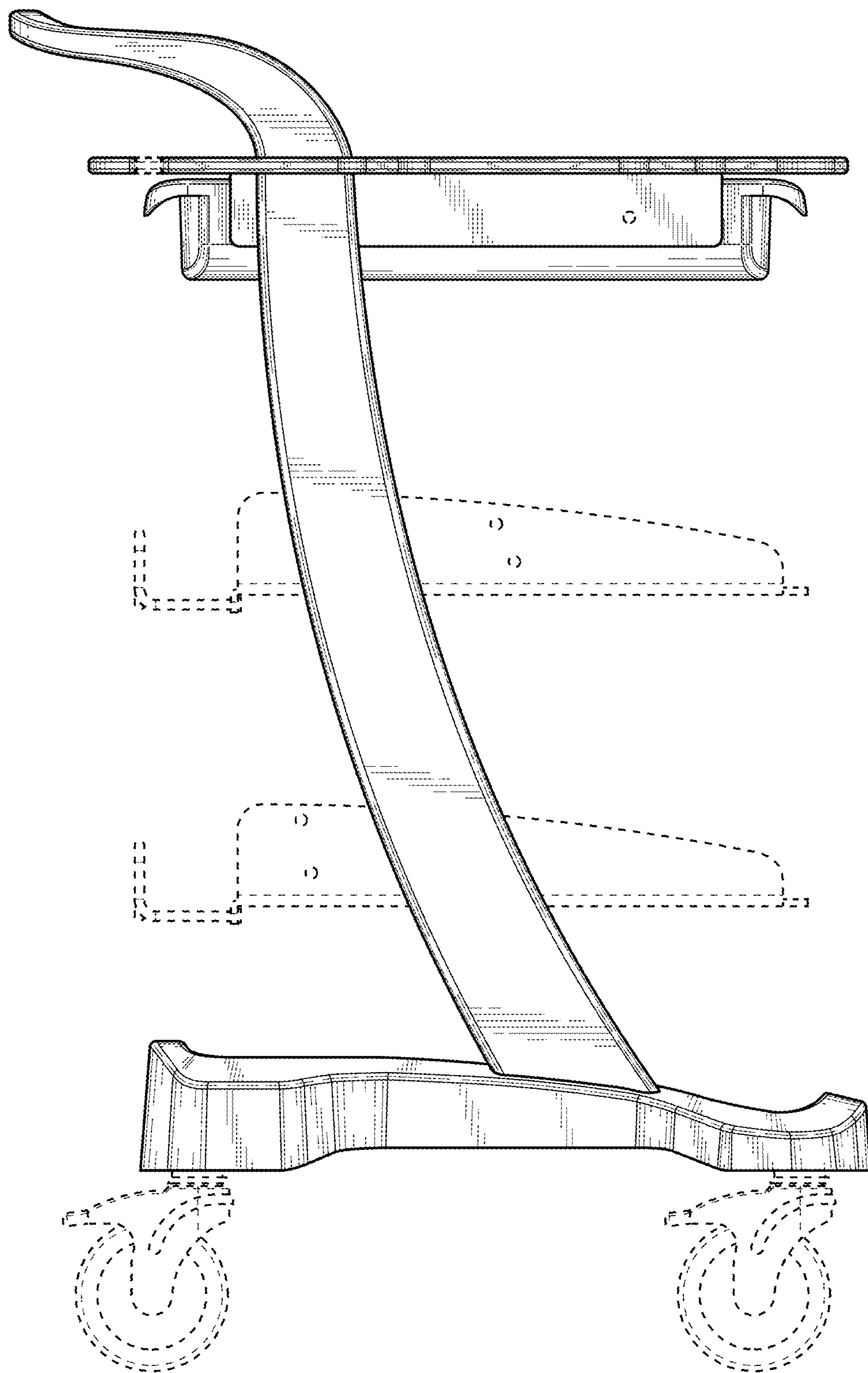


FIG. 3

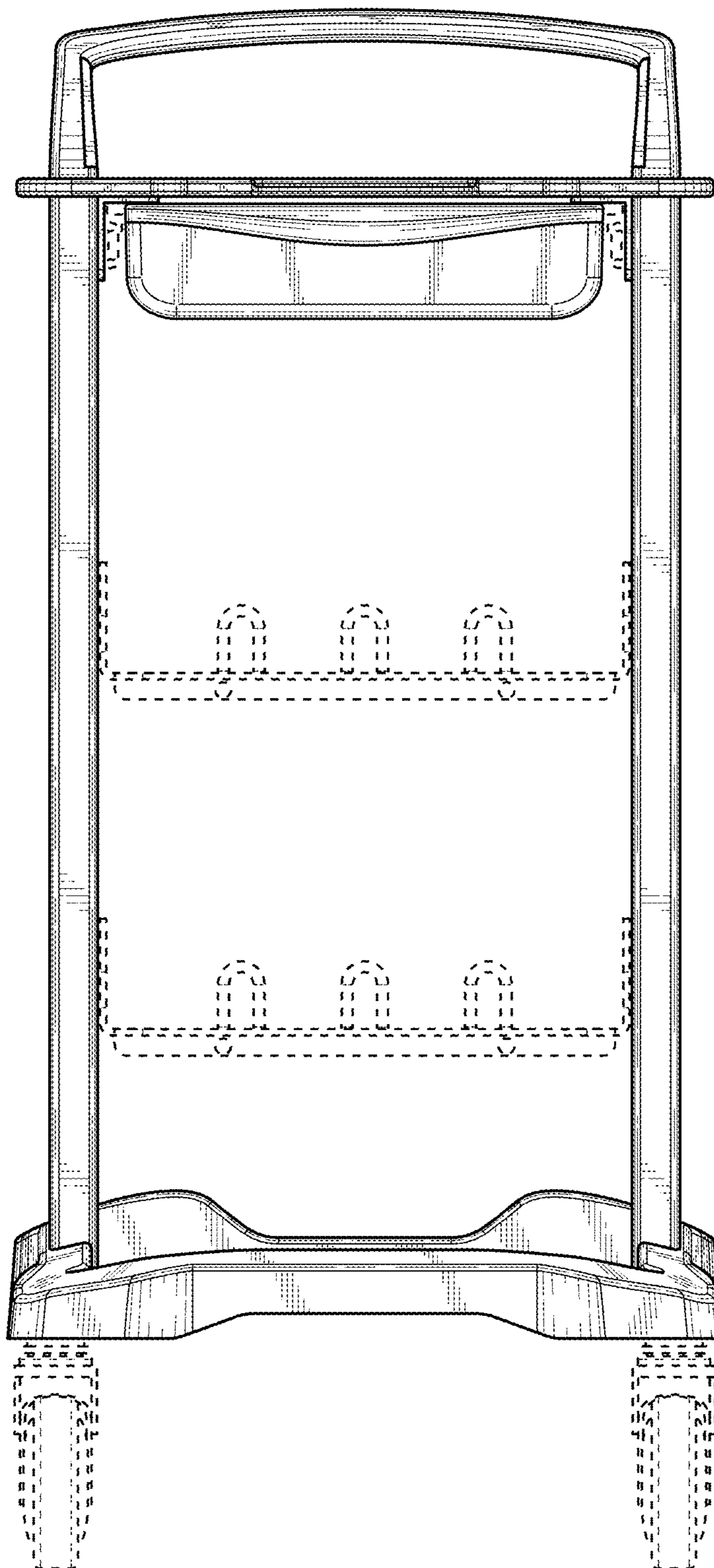


FIG. 4

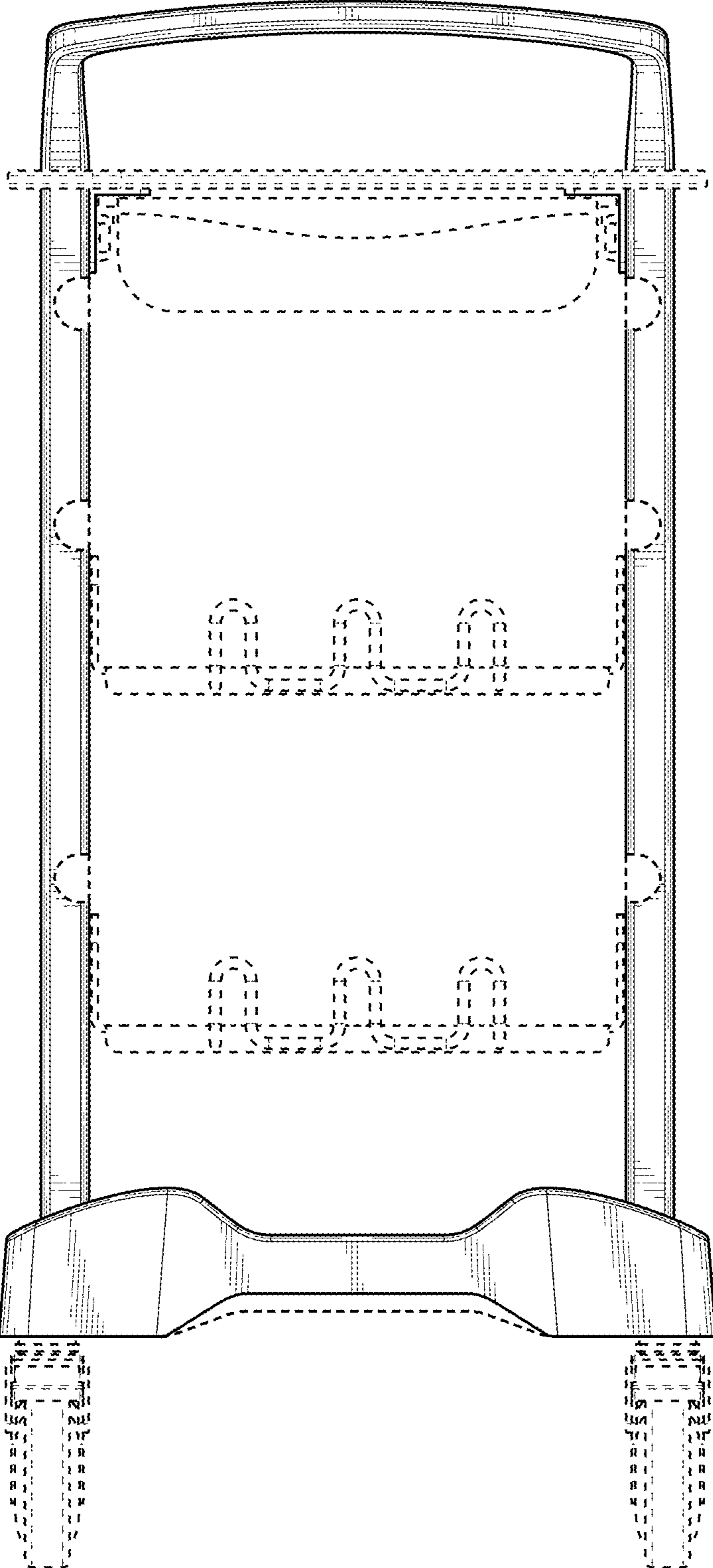


FIG. 5

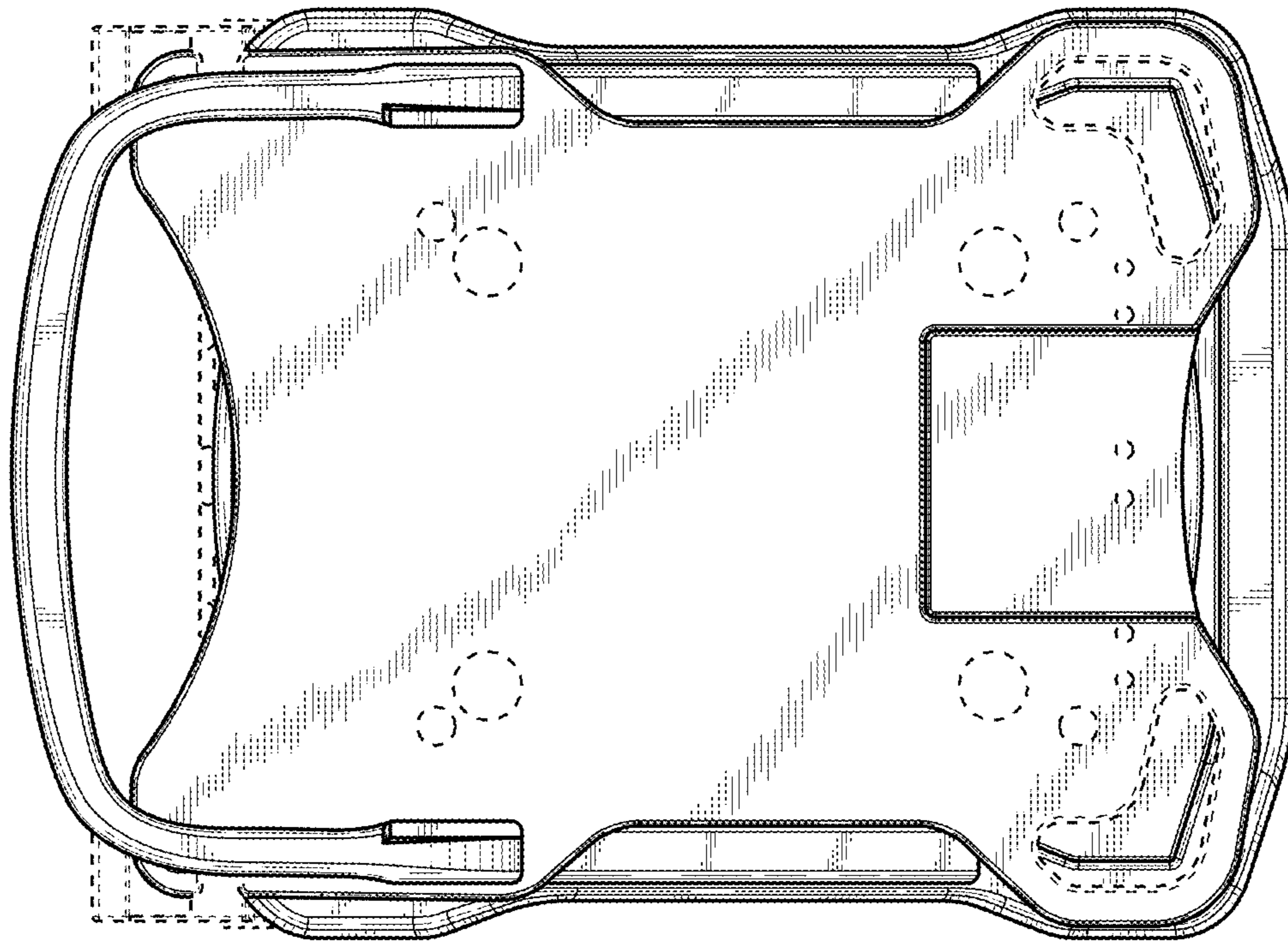


FIG. 6

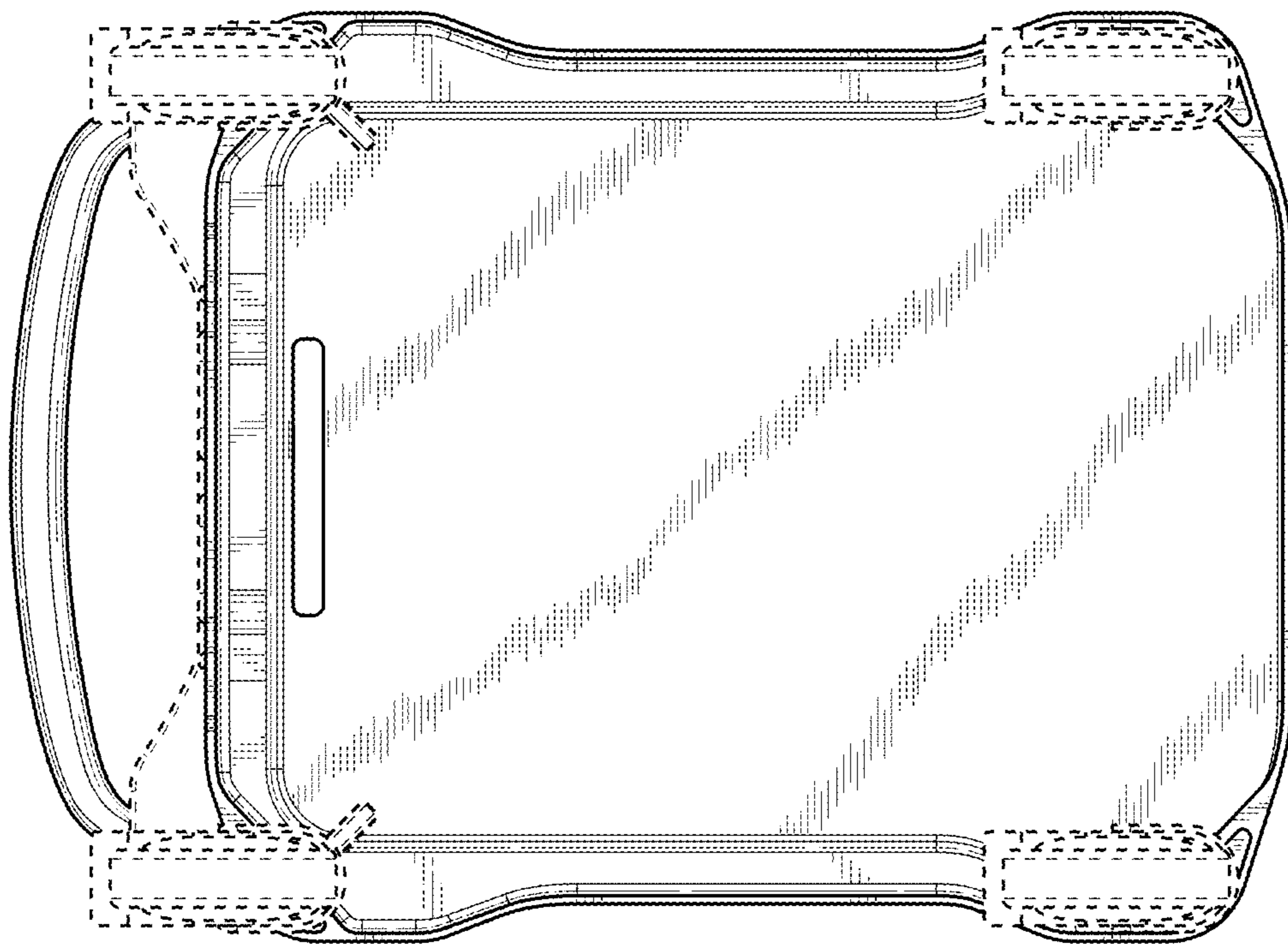


FIG. 7