



US00D777931S

(12) **United States Design Patent** (10) **Patent No.:** **US D777,931 S**  
**Raad** (45) **Date of Patent:** **\*\* Jan. 31, 2017**

(54) **ORAL DENTAL APPLIANCE** 8,875,713 B2 \* 11/2014 Metz ..... A61F 5/566  
128/848  
(71) Applicant: **Respire Medical Holdings, LLC,** D739,028 S 9/2015 Stein  
Brooklyn, NY (US) 2014/0230829 A1 \* 8/2014 Rogers ..... A61F 5/566  
128/848  
(72) Inventor: **Walid Raad,** Brooklyn, NY (US) 2015/0101614 A1 \* 4/2015 Quaka ..... A61C 7/36  
128/848  
(73) Assignee: **RESPIRE MEDICAL HOLDINGS,** 2015/0202075 A1 \* 7/2015 Vincent ..... A61C 7/08  
**LLC,** Brooklyn, NY (US) 2015/0216716 A1 \* 8/2015 Anitua Aldecoa ..... A61F 5/566  
128/848

(\*\*) Term: **15 Years**

\* cited by examiner

(21) Appl. No.: **29/528,334**

*Primary Examiner* — Wan Laymon

(22) Filed: **May 28, 2015**

(74) *Attorney, Agent, or Firm* — Ralph D. Chabot

(51) **LOC (10) Cl.** ..... **24-02**

(57) **CLAIM**

(52) **U.S. Cl.**  
USPC ..... **D24/180**

The ornamental design for an oral dental appliance, as shown and described.

(58) **Field of Classification Search**  
USPC D24/176–182, 152, 156; 602/902; 128/848,  
128/859, 863, 861; 433/6–11, 18–22,  
433/24, 37, 44, 168.1  
CPC ..... A61F 5/566; A61F 5/56; A61C 7/36;  
A61C 7/12; A61C 7/10; A61C  
7/08; A61C 5/14  
See application file for complete search history.

**DESCRIPTION**

FIG. 1 is a top, front, left side perspective view of an oral dental appliance showing my new design;  
FIG. 2 is a front elevation thereof;  
FIG. 3 is a rear elevation thereof;  
FIG. 4 is a right side elevation thereof with the left side being a mirror image;  
FIG. 5 is a top plan view thereof; and,  
FIG. 6 is a bottom plan view thereof.  
The broken line portion of the figure drawings is included to show unclaimed subject matter only and forms no part of the claimed design.

(56) **References Cited**

**U.S. PATENT DOCUMENTS**

6,109,265 A \* 8/2000 Frantz ..... A61F 5/566  
128/848  
6,418,933 B1 7/2002 Strong  
6,526,982 B1 \* 3/2003 Strong ..... A61F 5/566  
128/848

**1 Claim, 3 Drawing Sheets**

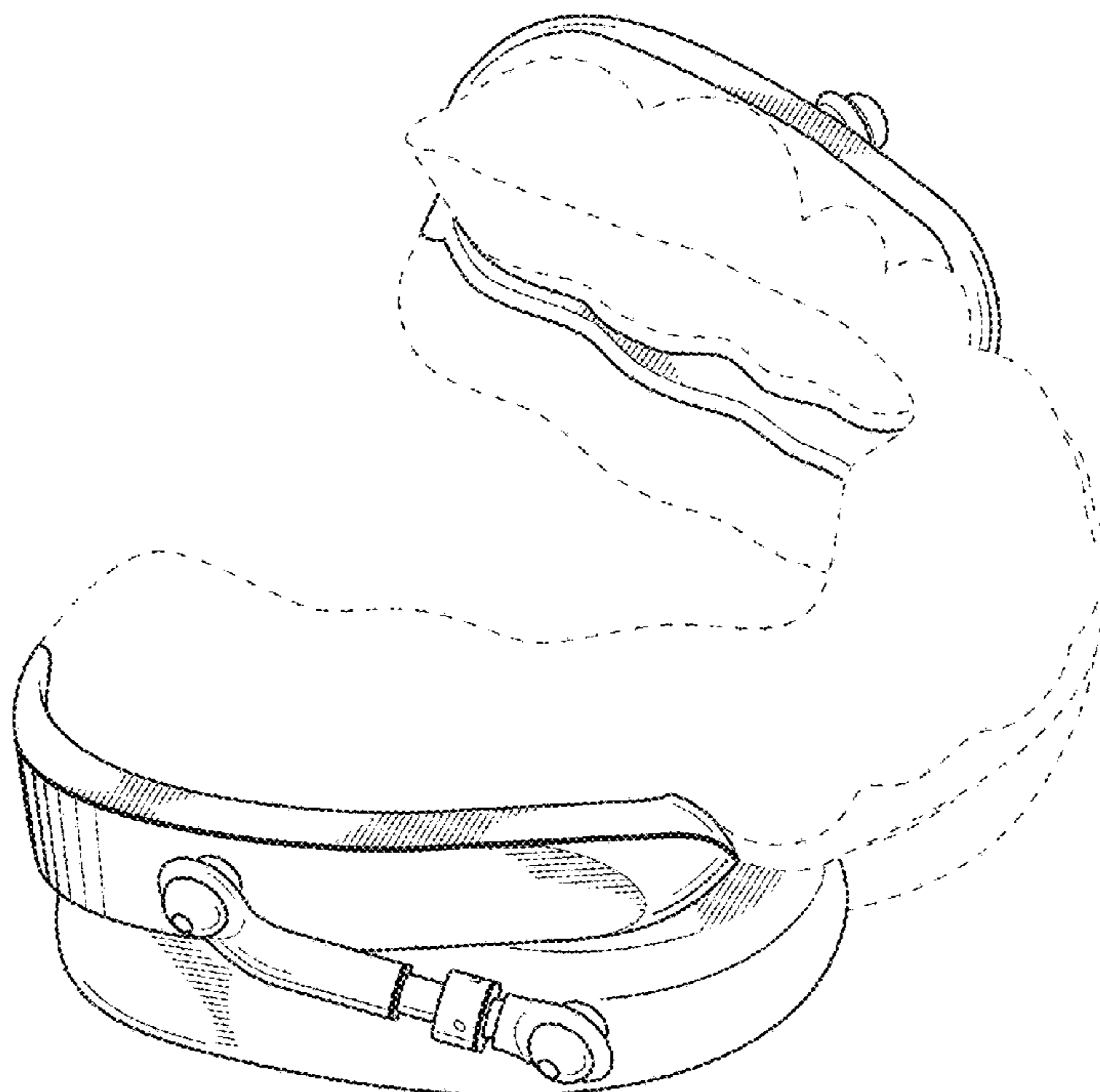


FIG. 1

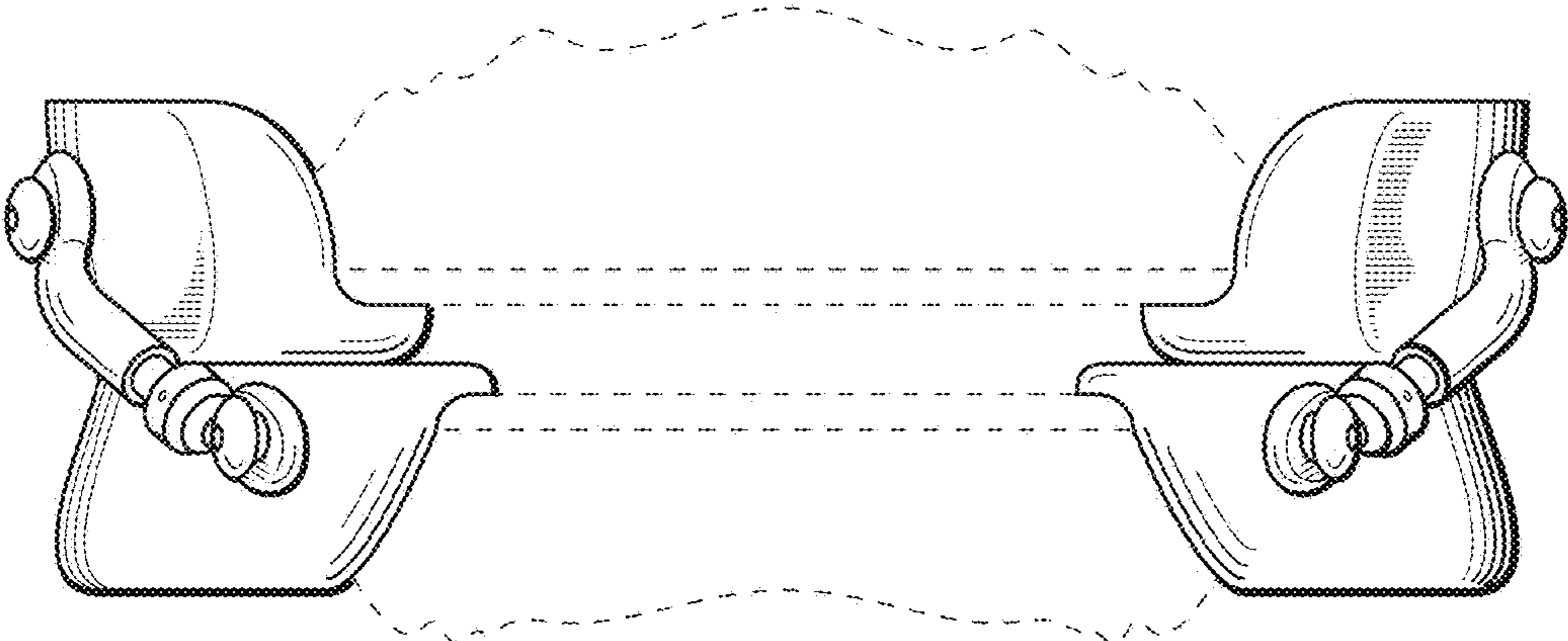
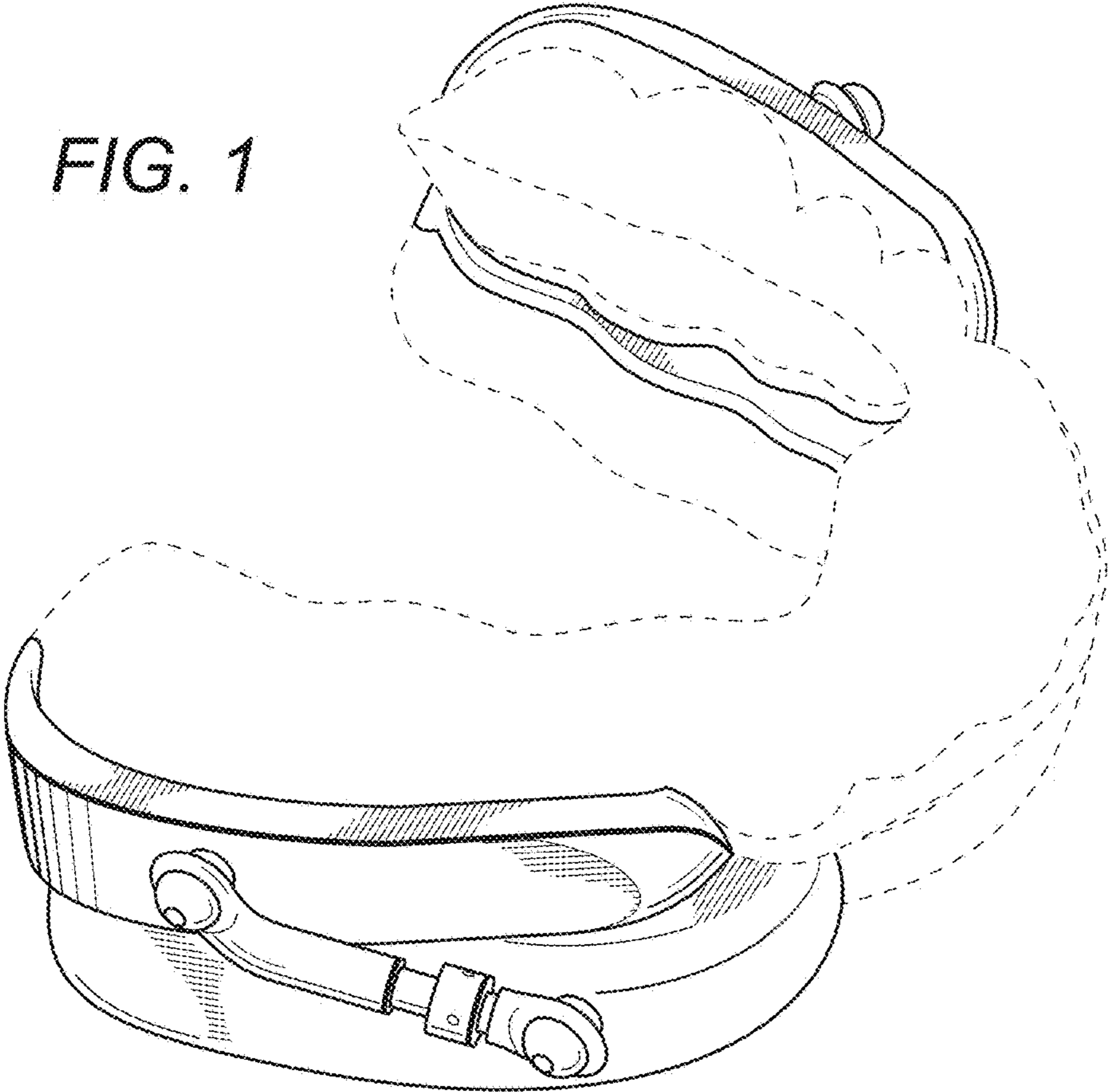


FIG. 2

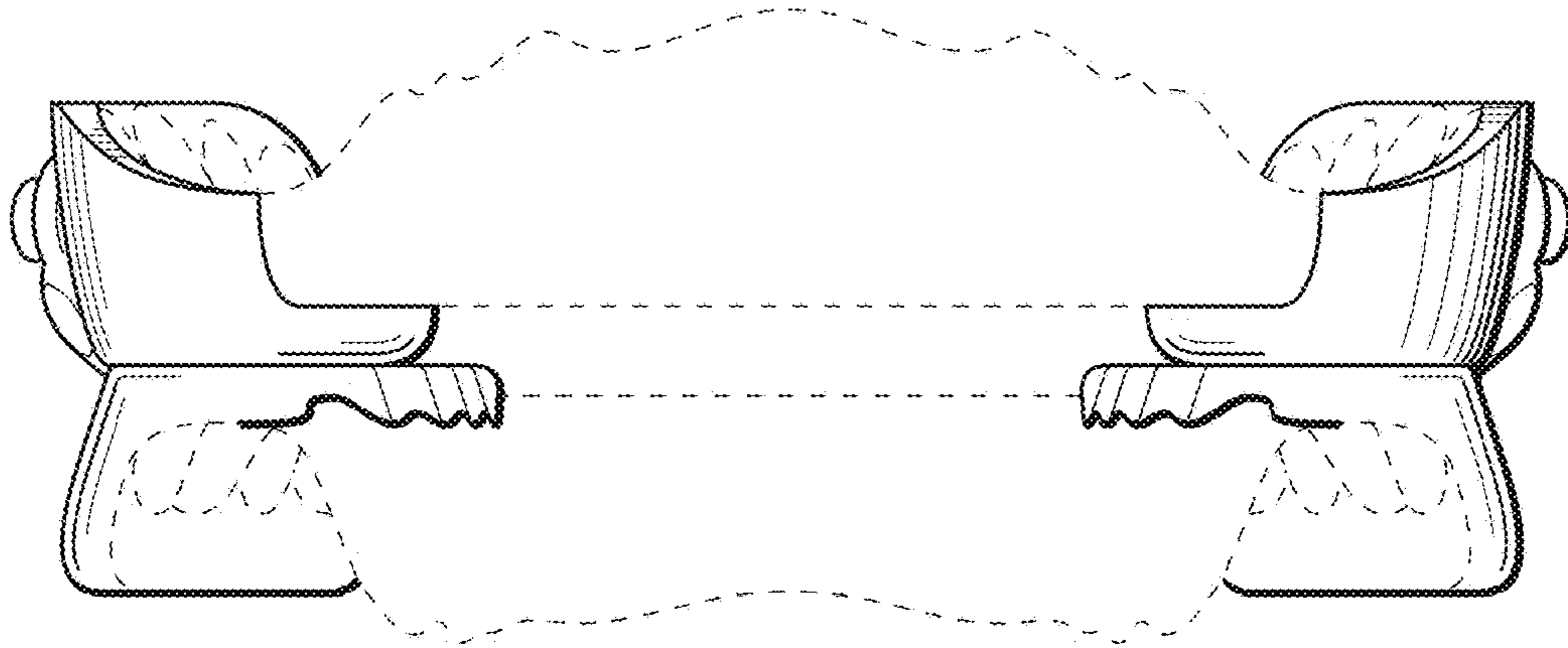


FIG. 3

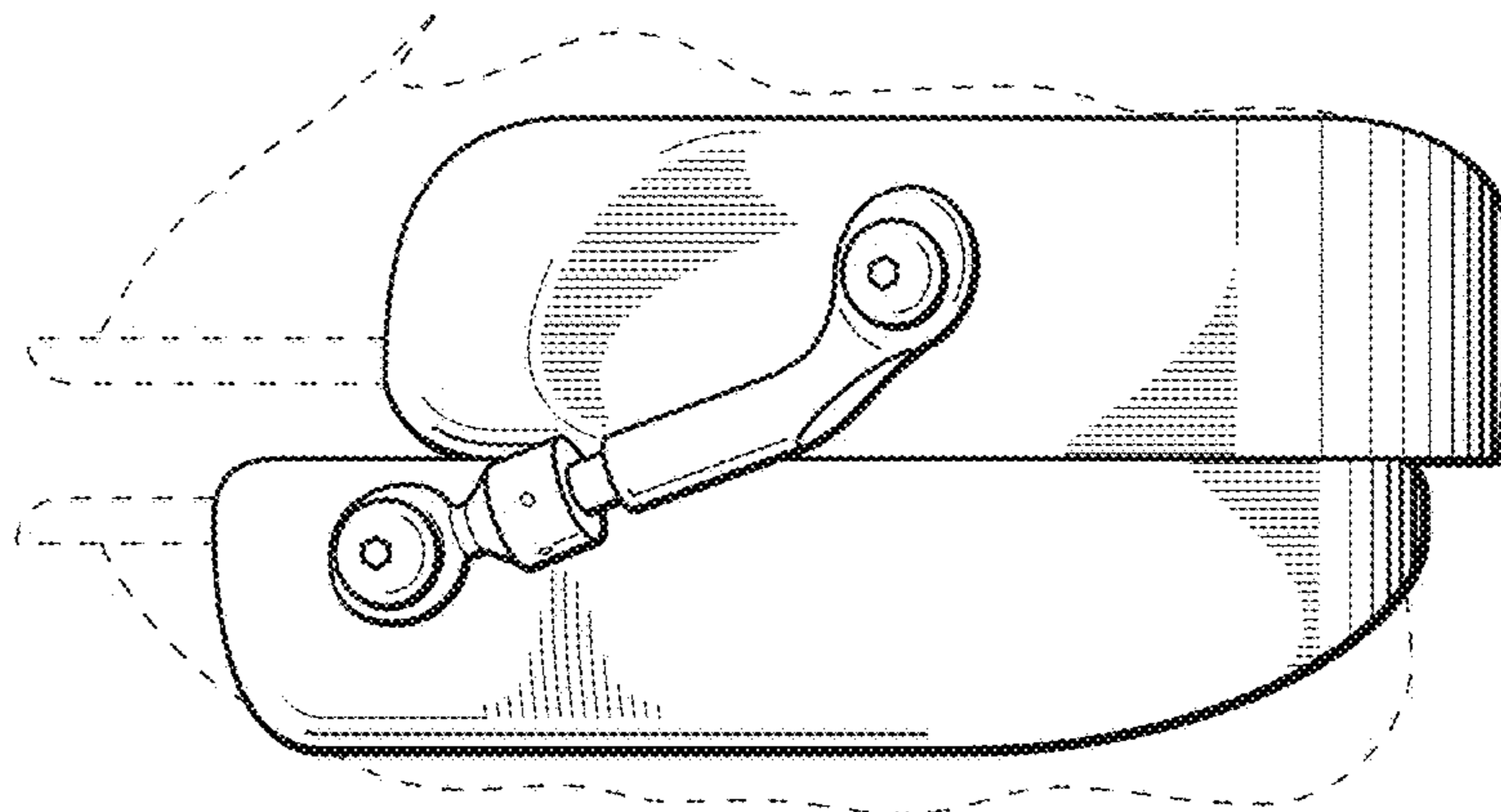


FIG. 4

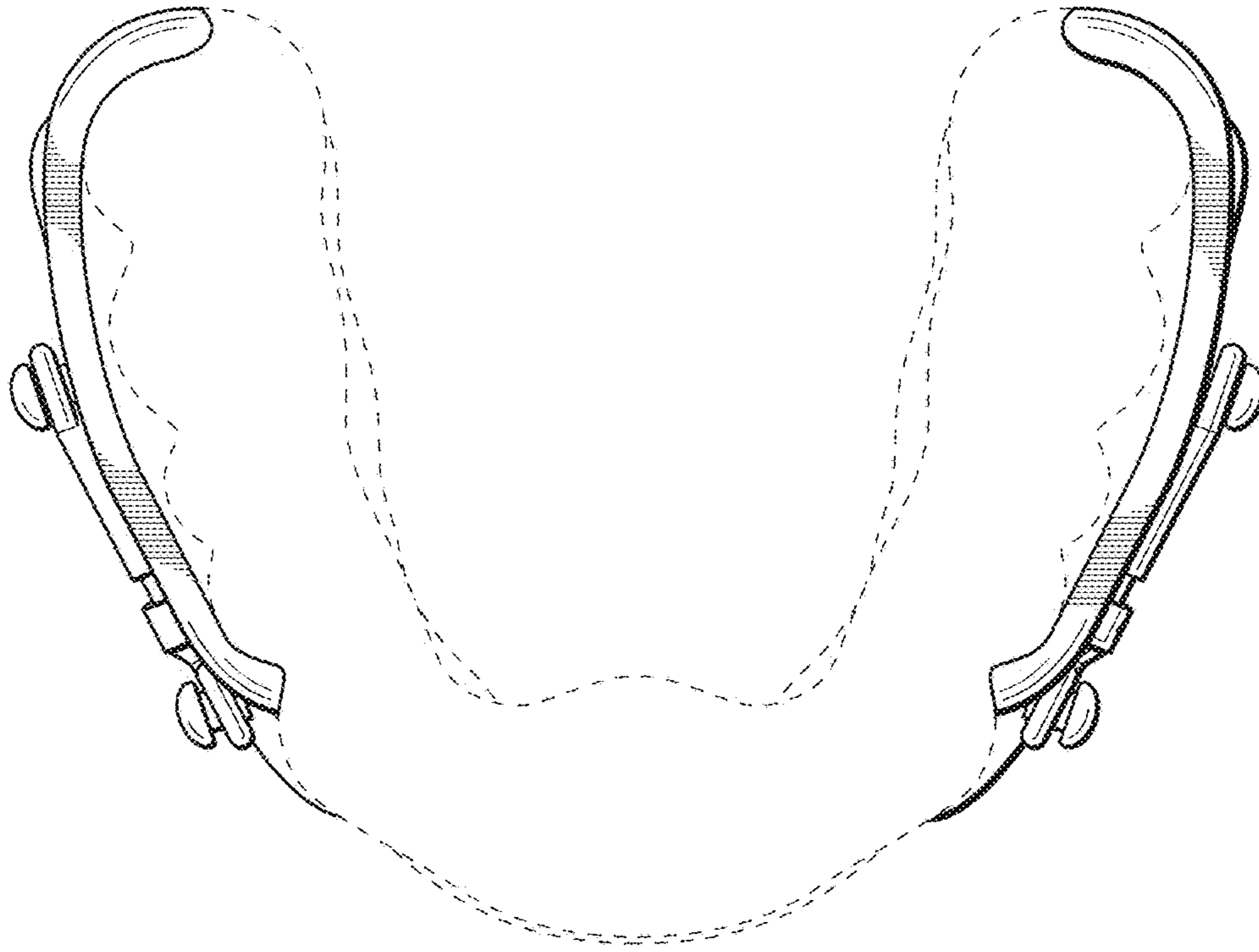


FIG. 5

FIG. 6

