



US00D777930S

(12) **United States Design Patent**
Raad

(10) **Patent No.:** **US D777,930 S**
(45) **Date of Patent:** **** Jan. 31, 2017**

(54) **ORAL SLEEP APPLIANCE**

(71) Applicant: **Respire Medical Holdings, LLC**,
Brooklyn, NY (US)

(72) Inventor: **Walid Raad**, Brooklyn, NY (US)

(73) Assignee: **RESPIRE MEDICAL HOLDINGS, LLC**,
Brooklyn, NY (US)

(**) Term: **15 Years**

(21) Appl. No.: **29/528,325**

(22) Filed: **May 28, 2015**

(51) **LOC (10) Cl.** **24-02**

(52) **U.S. Cl.**
USPC **D24/180**

(58) **Field of Classification Search**
USPC D24/176-182, 152, 156; 602/902; 128/848,
859, 863, 861; 433/6-11, 18-22, 433/24,
37, 44, 168.1
CPC A61F 5/566; A61F 5/56; A61C 7/36;
A61C 7/12; A61C 7/10; A61C
7/08; A61C 5/14
See application file for complete search history.

(56) **References Cited**

U.S. PATENT DOCUMENTS

4,462,800 A * 7/1984 Jones A61C 7/36
433/19
4,708,646 A * 11/1987 Jasper A61C 7/36
433/19
5,183,388 A * 2/1993 Kumar A61C 7/36
433/19
5,352,116 A * 10/1994 West A61C 7/36
433/19

5,632,618 A * 5/1997 Jensen A61C 7/36
433/19
6,418,933 B1 7/2002 Strong
6,526,982 B1 * 3/2003 Strong A61F 5/566
128/848
8,875,713 B2 * 11/2014 Metz A61F 5/566
128/848
D739,028 S 9/2015 Stein
2014/0230829 A1 * 8/2014 Rogers A61F 5/566
128/848
2015/0101614 A1 * 4/2015 Quaka A61C 7/36
128/848
2016/0220331 A1 * 8/2016 Johnston A61C 7/36

* cited by examiner

Primary Examiner — Wan Laymon
(74) *Attorney, Agent, or Firm* — Ralph D. Chabot

(57) **CLAIM**

The ornamental design for an oral sleep appliance, as shown and described.

DESCRIPTION

FIG. 1 is a top, front, left side perspective view of an oral sleep appliance showing my new design;
FIG. 2 is a front elevation thereof;
FIG. 3 is a rear elevation thereof;
FIG. 4 is a right side elevation thereof with the left side being a mirror image;
FIG. 5 is a top plan view thereof; and,
FIG. 6 is a bottom plan view thereof.
The broken line portion of the figure drawings is included to show unclaimed subject matter only and forms no part of the claimed design.

1 Claim, 3 Drawing Sheets

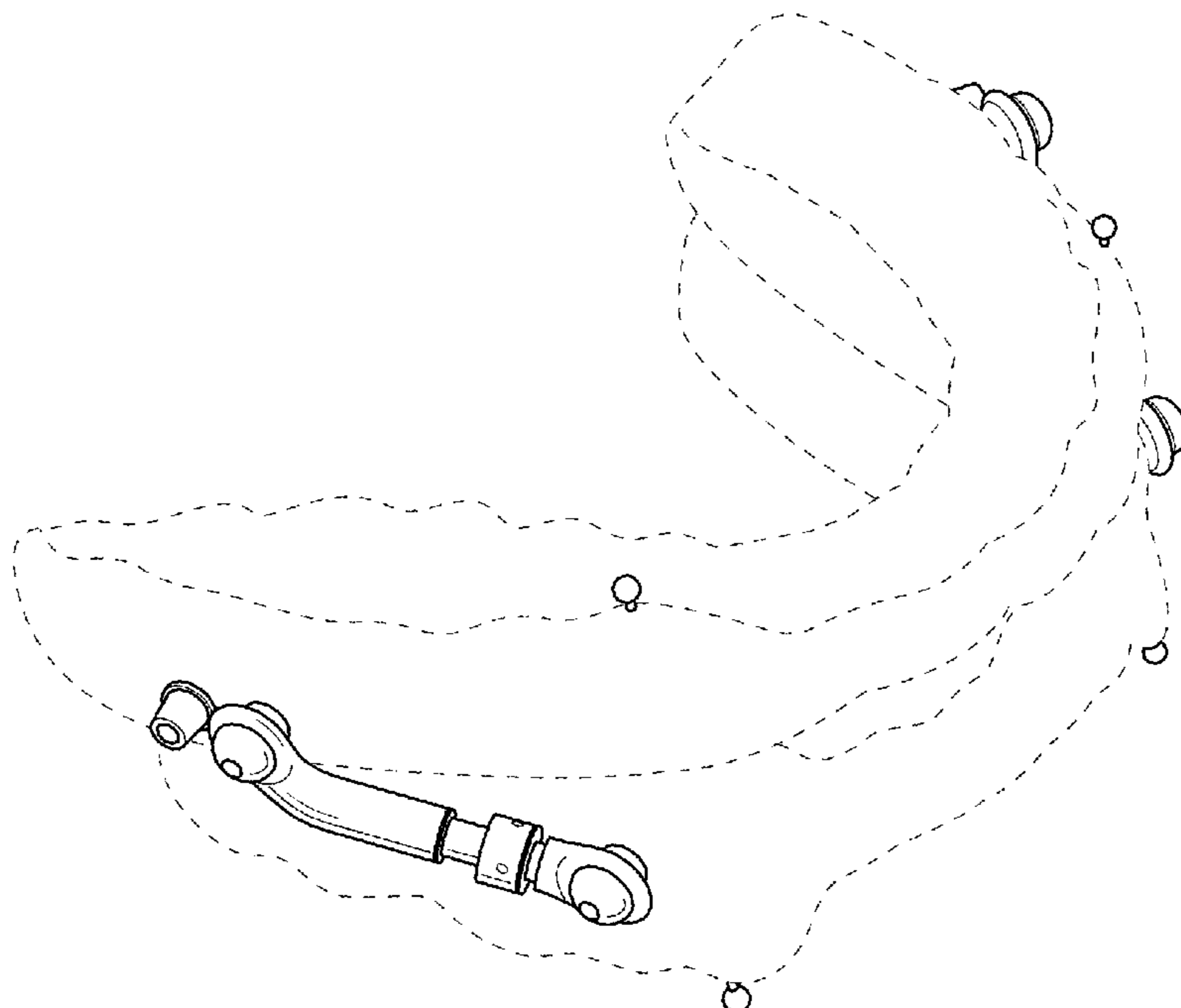


FIG. 1

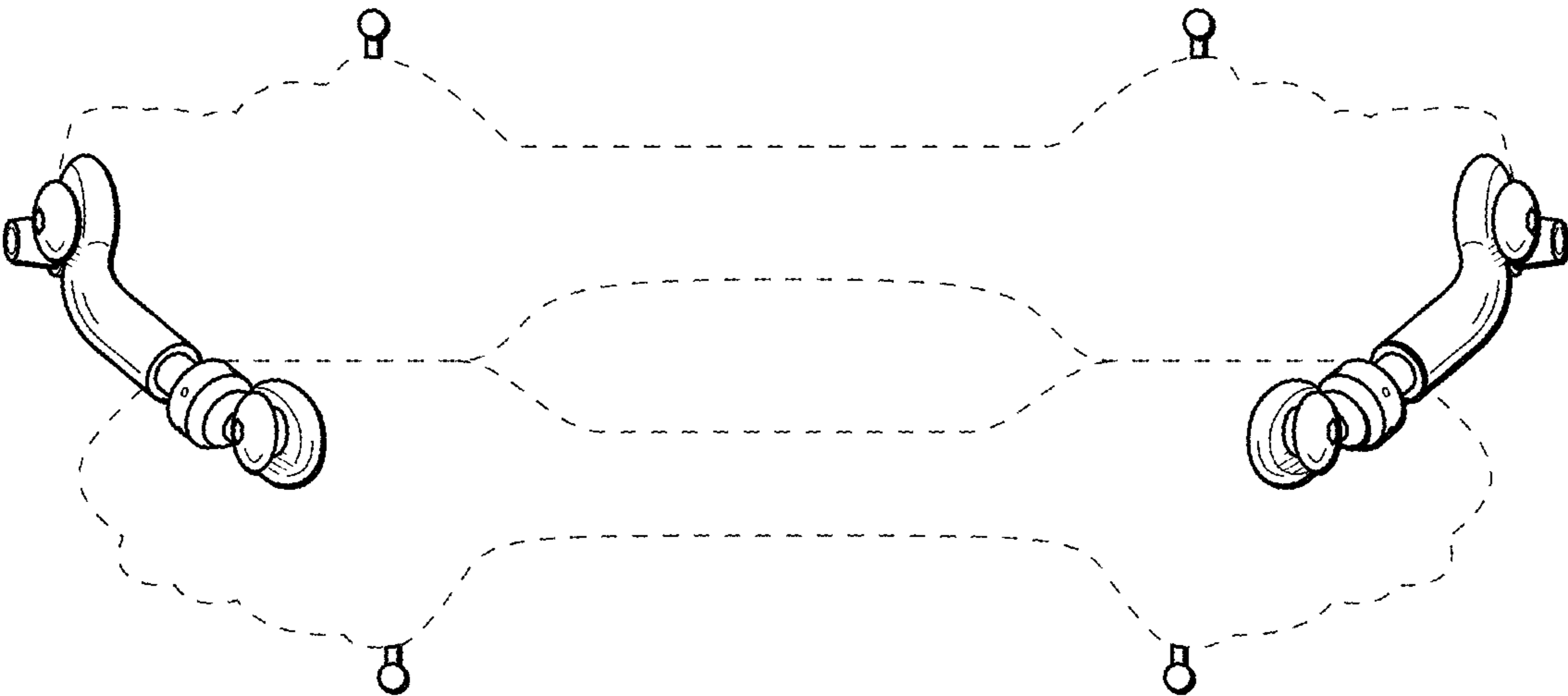
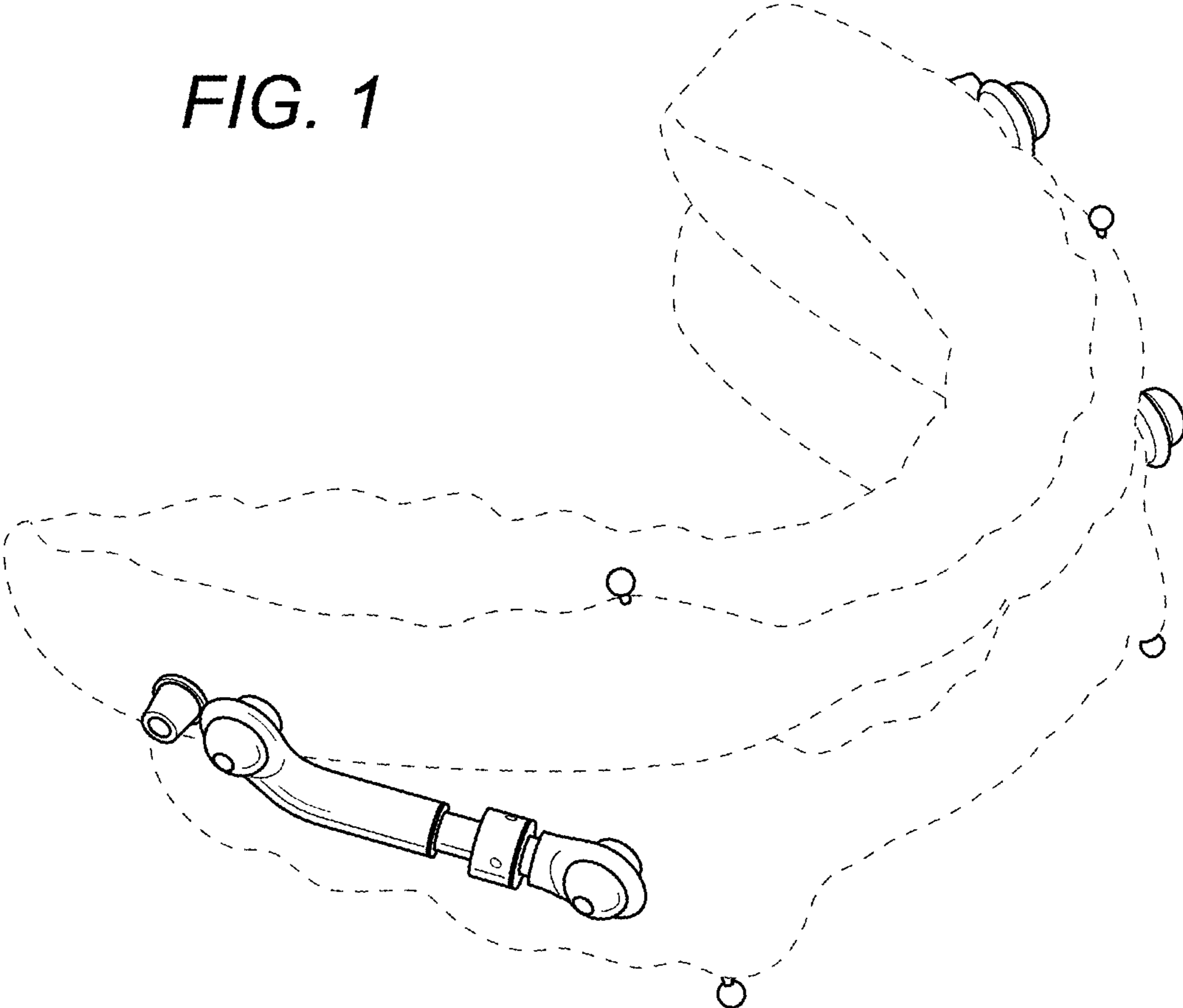


FIG. 2

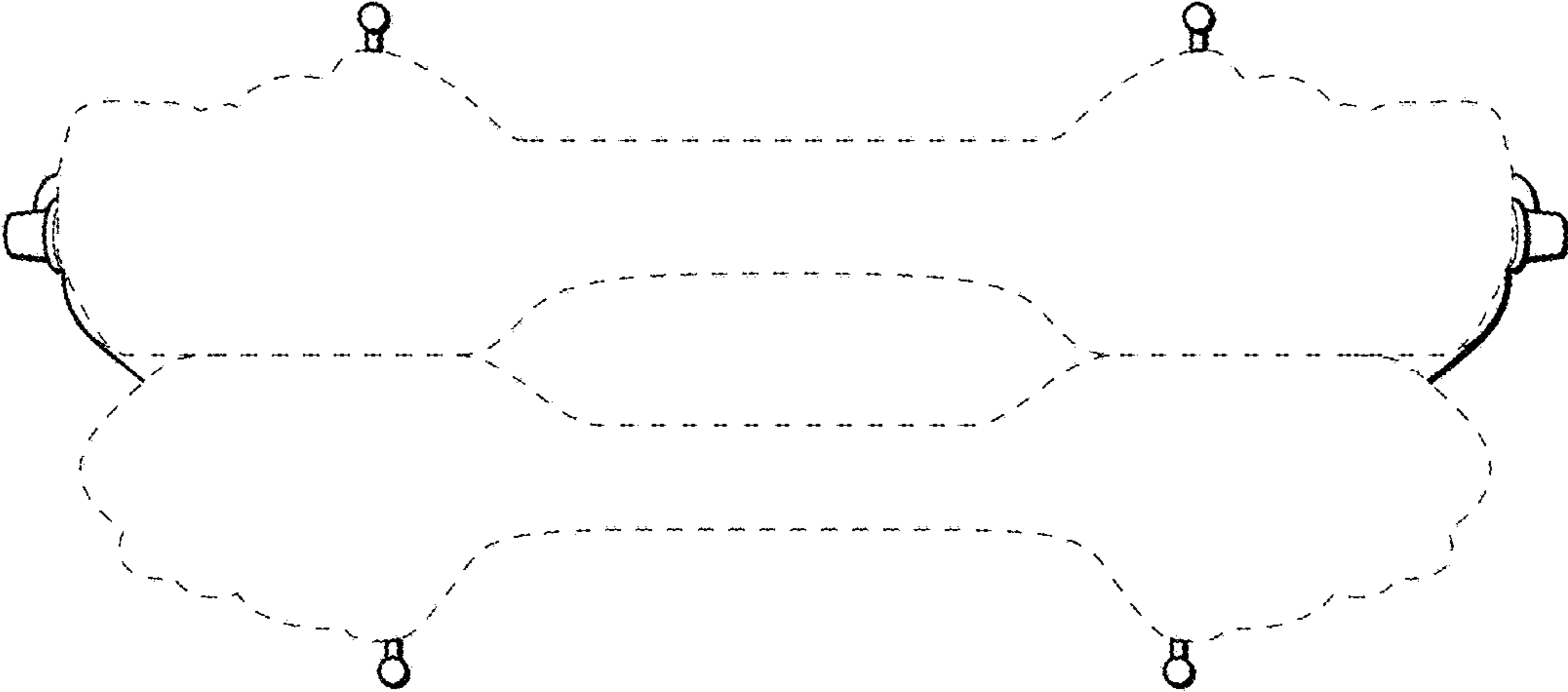


FIG. 3

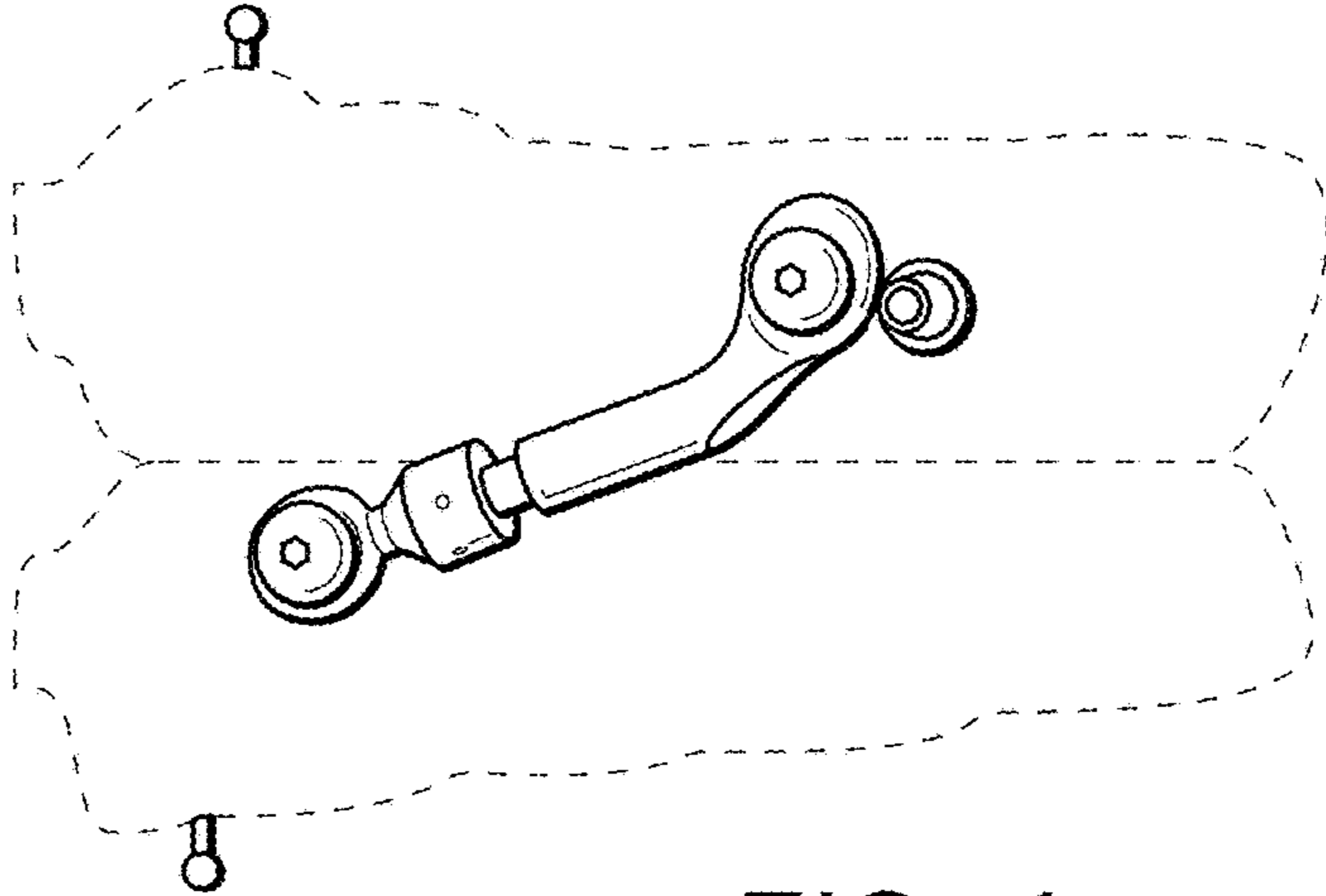


FIG. 4

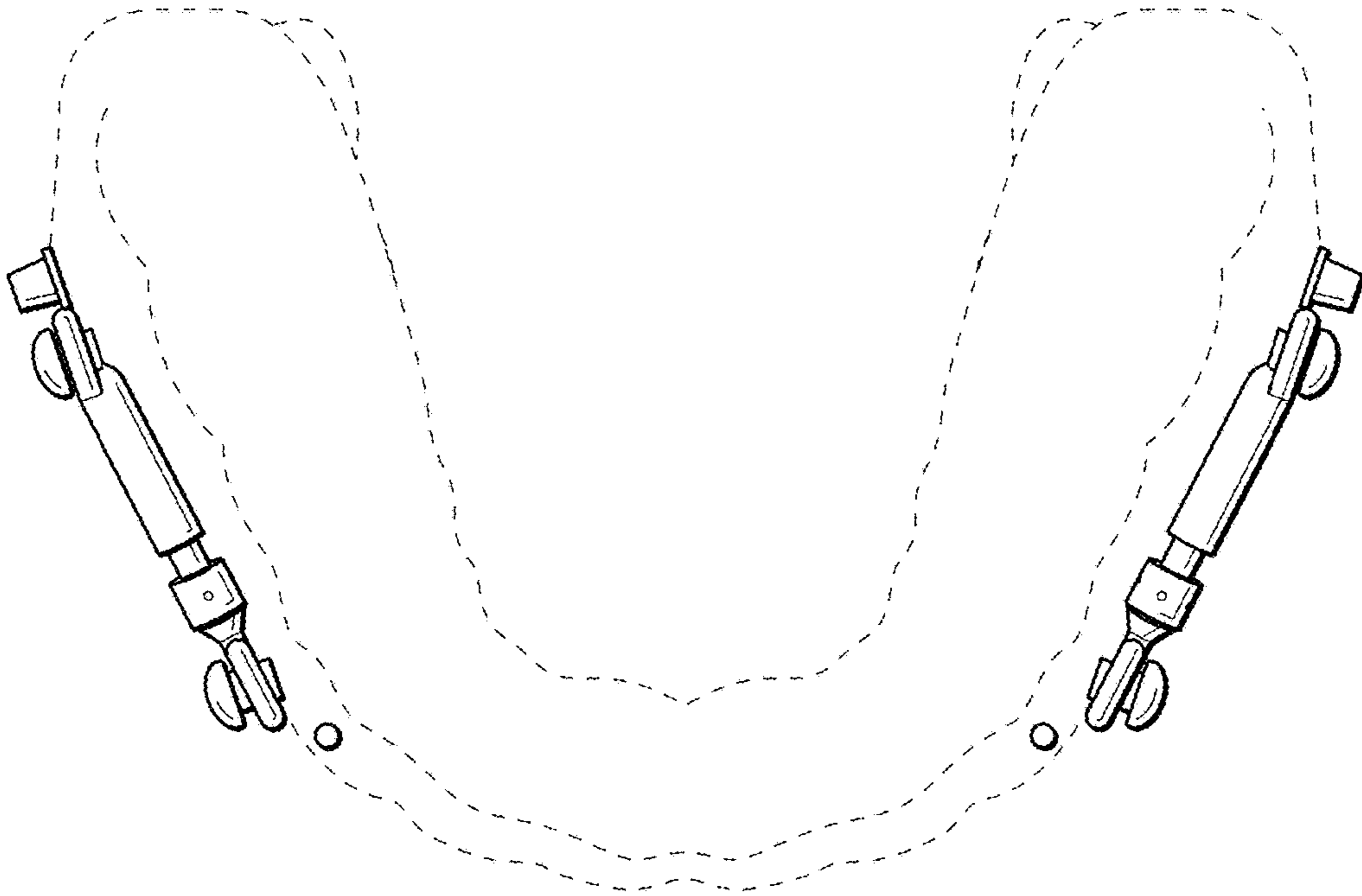


FIG. 5

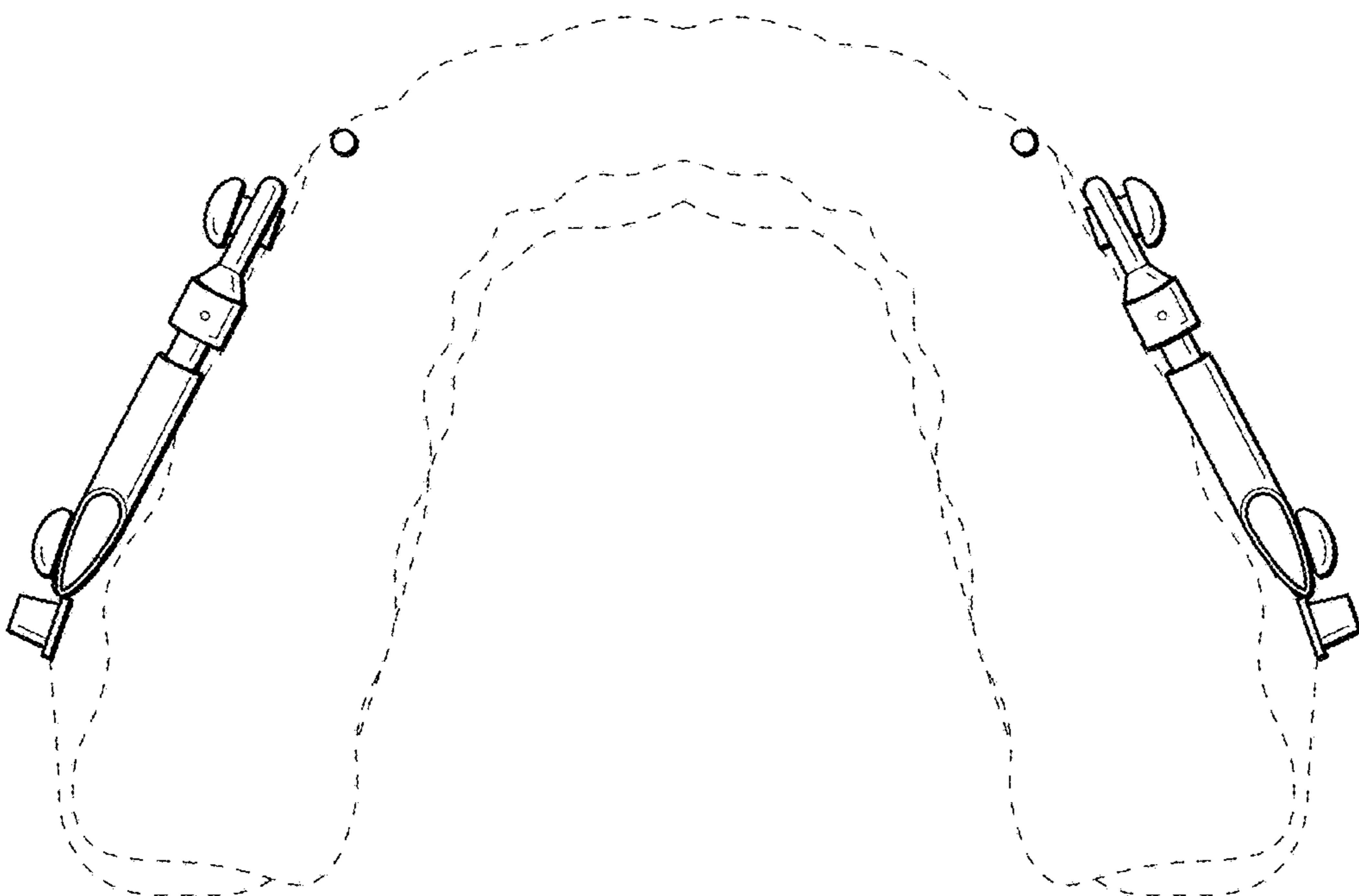


FIG. 6