



US00D777927S

(12) **United States Design Patent**
Choudhary

(10) **Patent No.:** **US D777,927 S**
(45) **Date of Patent:** **** Jan. 31, 2017**

(54) **ELECTROCARDIOGRAPH**

(71) Applicant: **General Electric Healthcare,**
Schenectady, NY (US)

(72) Inventor: **Manish Uddhaorao Choudhary,**
Bangalore (IN)

(73) Assignee: **General Electric Company,**
Schenectady, NY (US)

(**) Term: **14 Years**

(21) Appl. No.: **29/512,089**

(22) Filed: **Dec. 16, 2014**

(51) **LOC (10) Cl.** **24-01**

(52) **U.S. Cl.**
USPC **D24/167**

(58) **Field of Classification Search**
USPC . D24/164-168, 186, 187; D3/203.1; D10/75
CPC . A61B 5/0402; A61B 5/0404; A61B 5/04085;
A61B 5/0416; A61B 5/044; A61B 5/6805;
A61B 2560/0412; A61B 2560/0462;
A61B 8/0045; A61B 2560/0437
See application file for complete search history.

(56) **References Cited**

U.S. PATENT DOCUMENTS

D657,470 S * 4/2012 Schon D24/186
D699,852 S * 2/2014 Chung D24/158
D700,706 S * 3/2014 Molter D24/185
D712,042 S * 8/2014 Chung D24/185
D712,540 S * 9/2014 Hansen D24/158

D735,868 S * 8/2015 Mareguddi D24/185
2010/0010320 A1* 1/2010 Perkins A61B 5/0002
600/300
2013/0281854 A1* 10/2013 Stuebe A61B 8/13
600/440

* cited by examiner

Primary Examiner — Anhdao Doan

(74) *Attorney, Agent, or Firm* — Alleman Hall McCoy
Russell & Tuttle LLP

(57) **CLAIM**

The ornamental design for an electrocardiograph, as shown
and described.

DESCRIPTION

FIG. 1 is a front perspective view of a design for an
electrocardiograph according to the present invention.

FIG. 2 is a back perspective view of the electrocardiograph
of FIG. 1.

FIG. 3 is a front view of the electrocardiograph of FIG. 1.

FIG. 4 is back view of the electrocardiograph of FIG. 1.

FIG. 5 is a left side view of the electrocardiograph of FIG.
1.

FIG. 6 is a right side view of the electrocardiograph of FIG.
1.

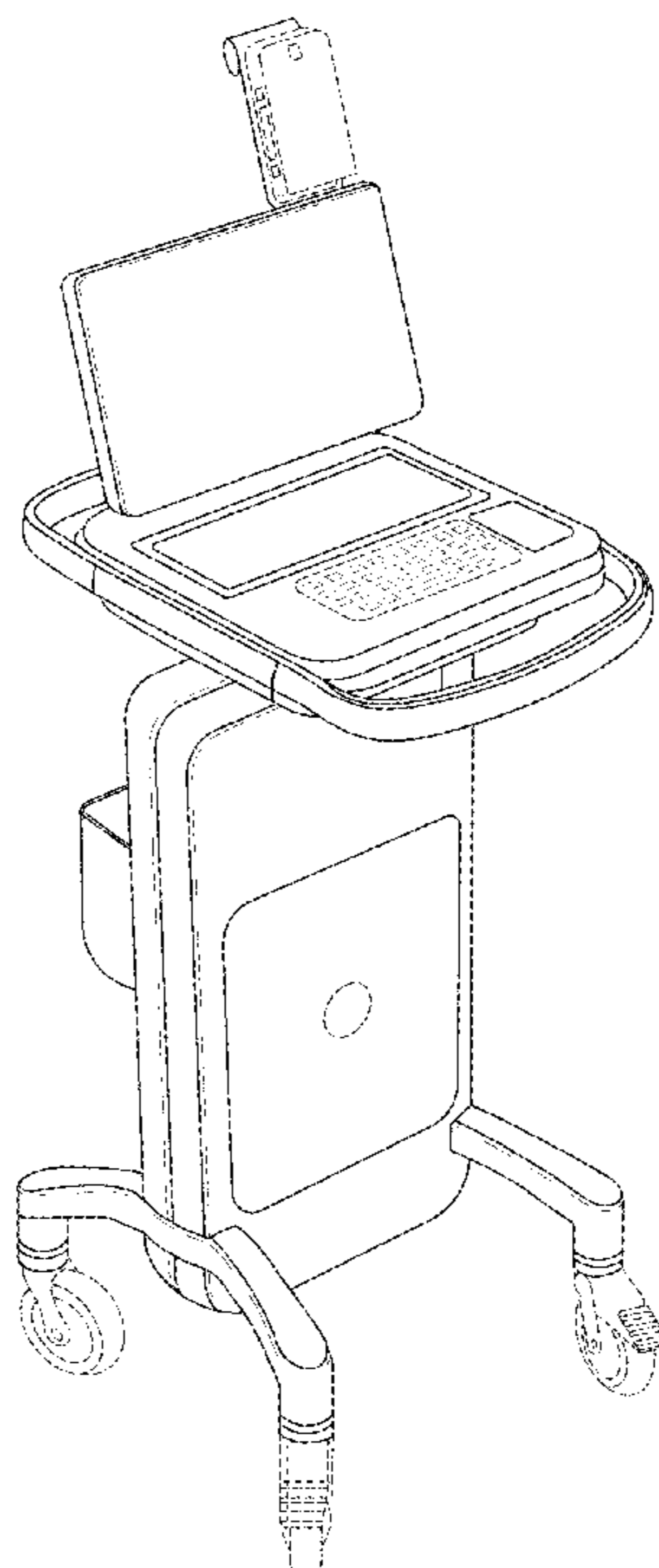
FIG. 7 is a top view of the electrocardiograph of FIG. 1.

FIG. 8 is a bottom view of the electrocardiograph of FIG. 1;
and,

FIG. 9 is a front perspective view of the electrocardiograph
in an open configuration of FIG. 1.

The broken lines in the drawings are included for the
purposes of illustrating portions of the electrocardiograph
that form no part of the claimed design.

1 Claim, 8 Drawing Sheets



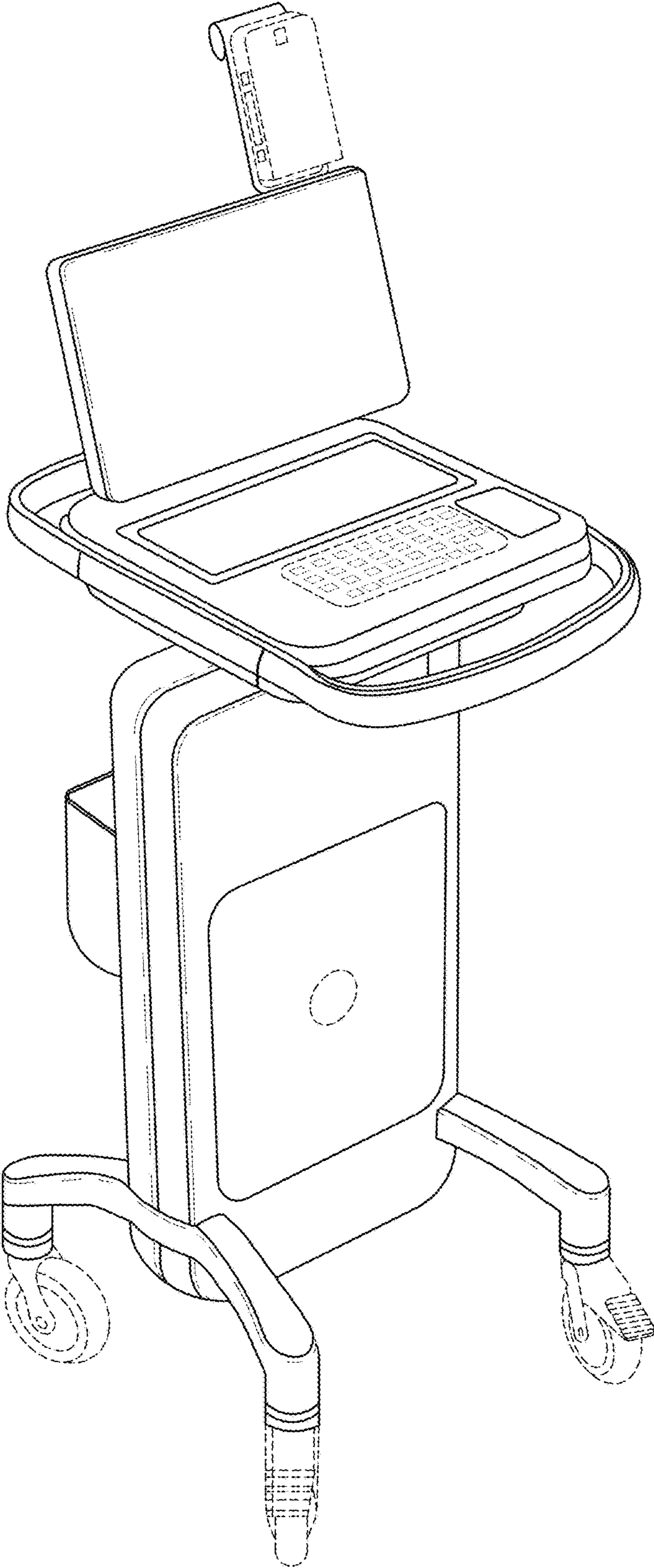


FIG. 1

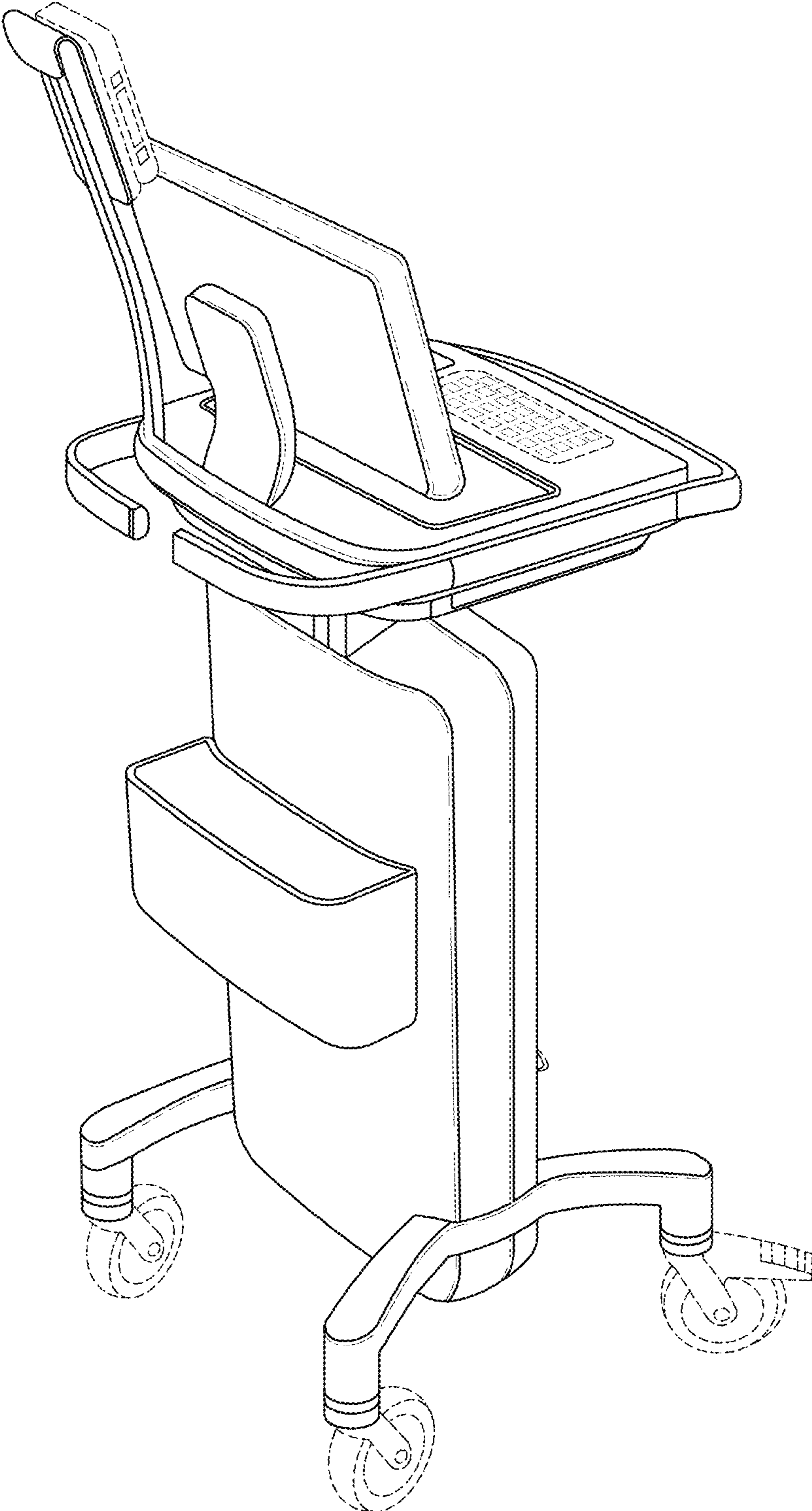


FIG. 2

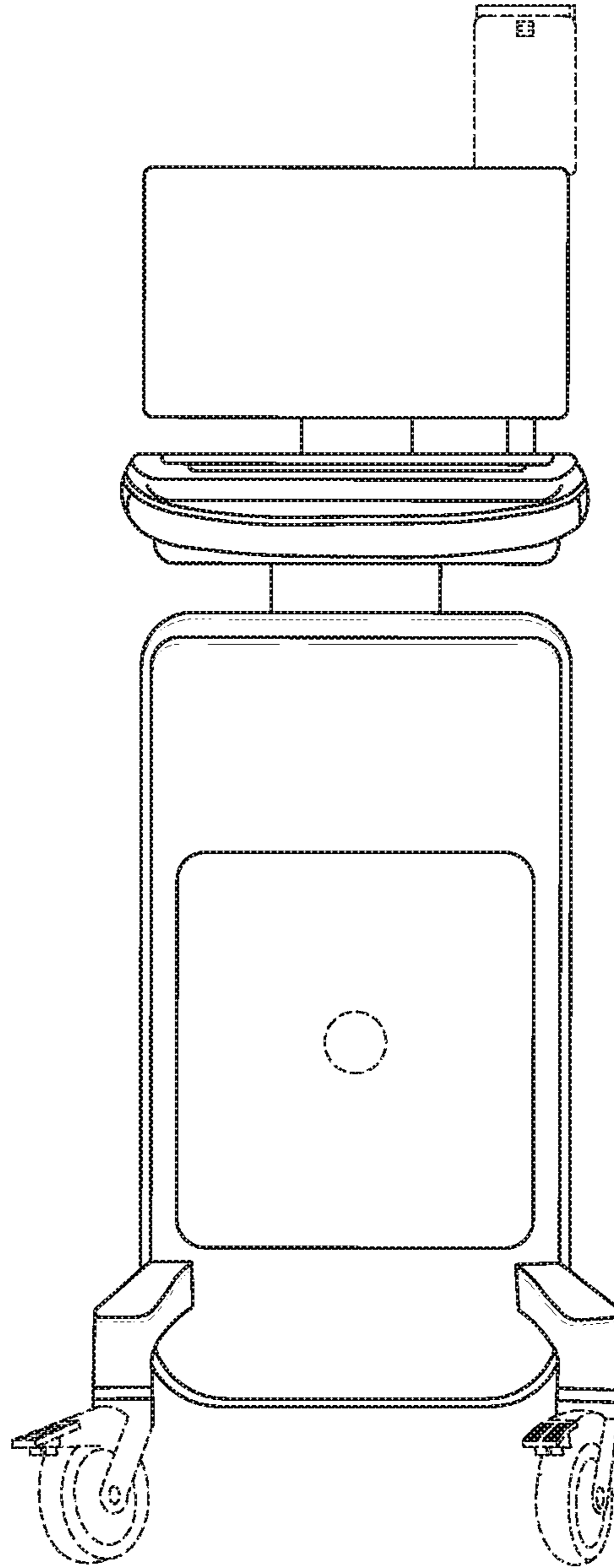


FIG. 3

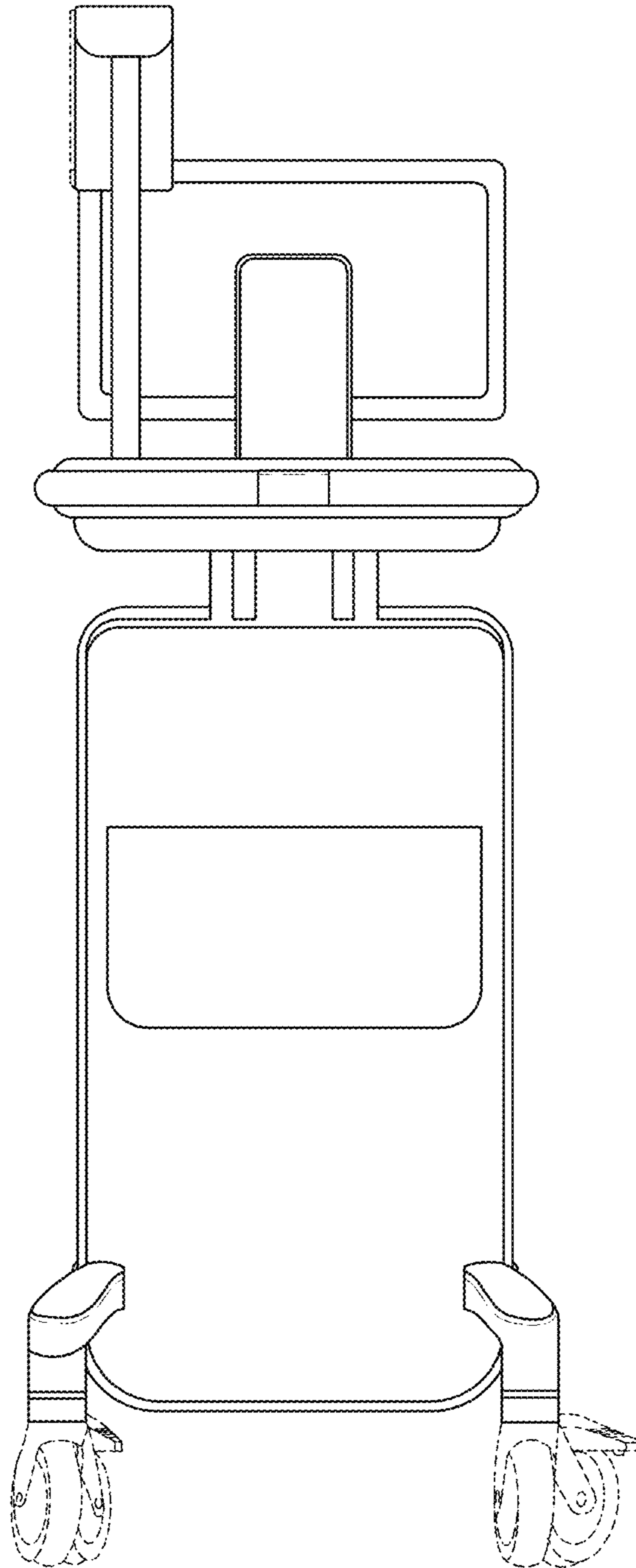


FIG. 4

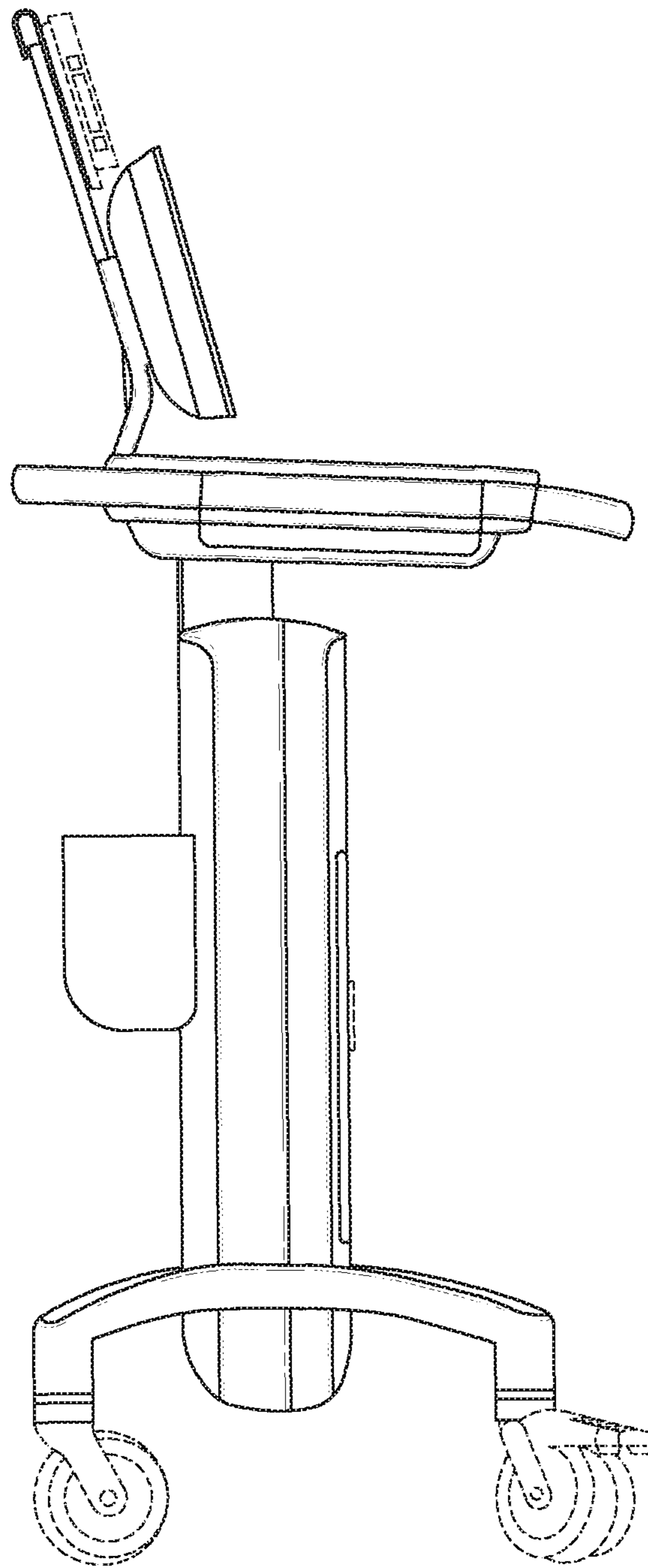


FIG. 5

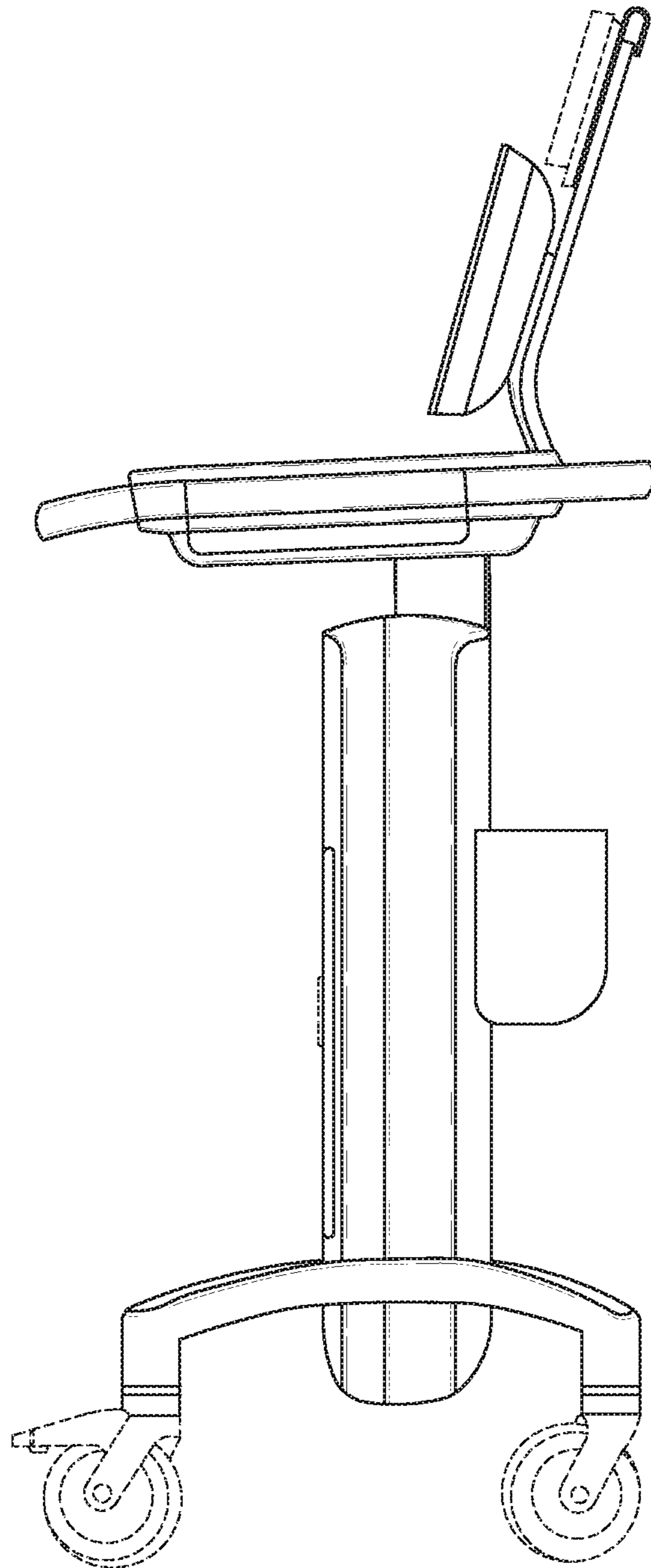


FIG. 6

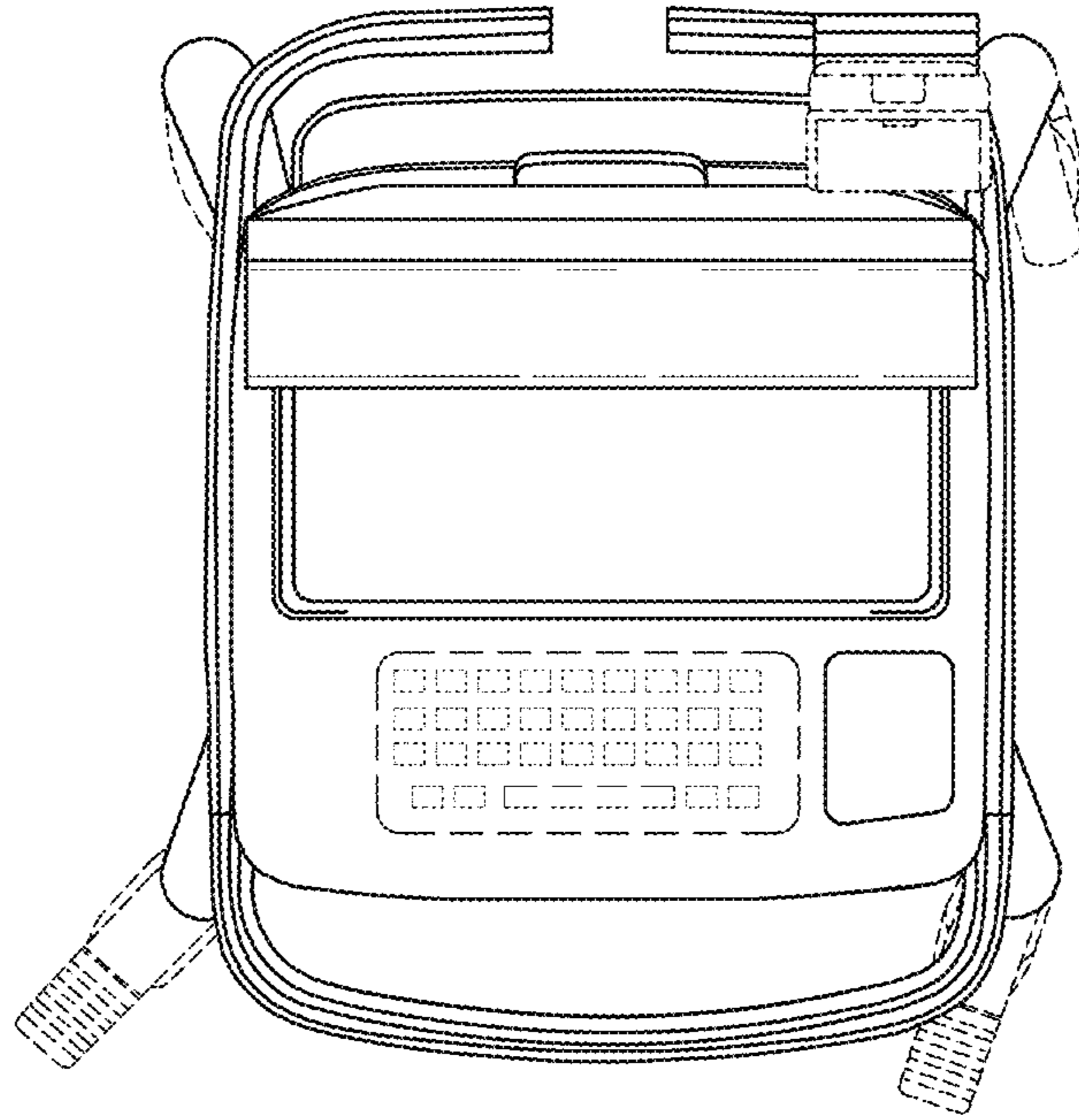


FIG. 7

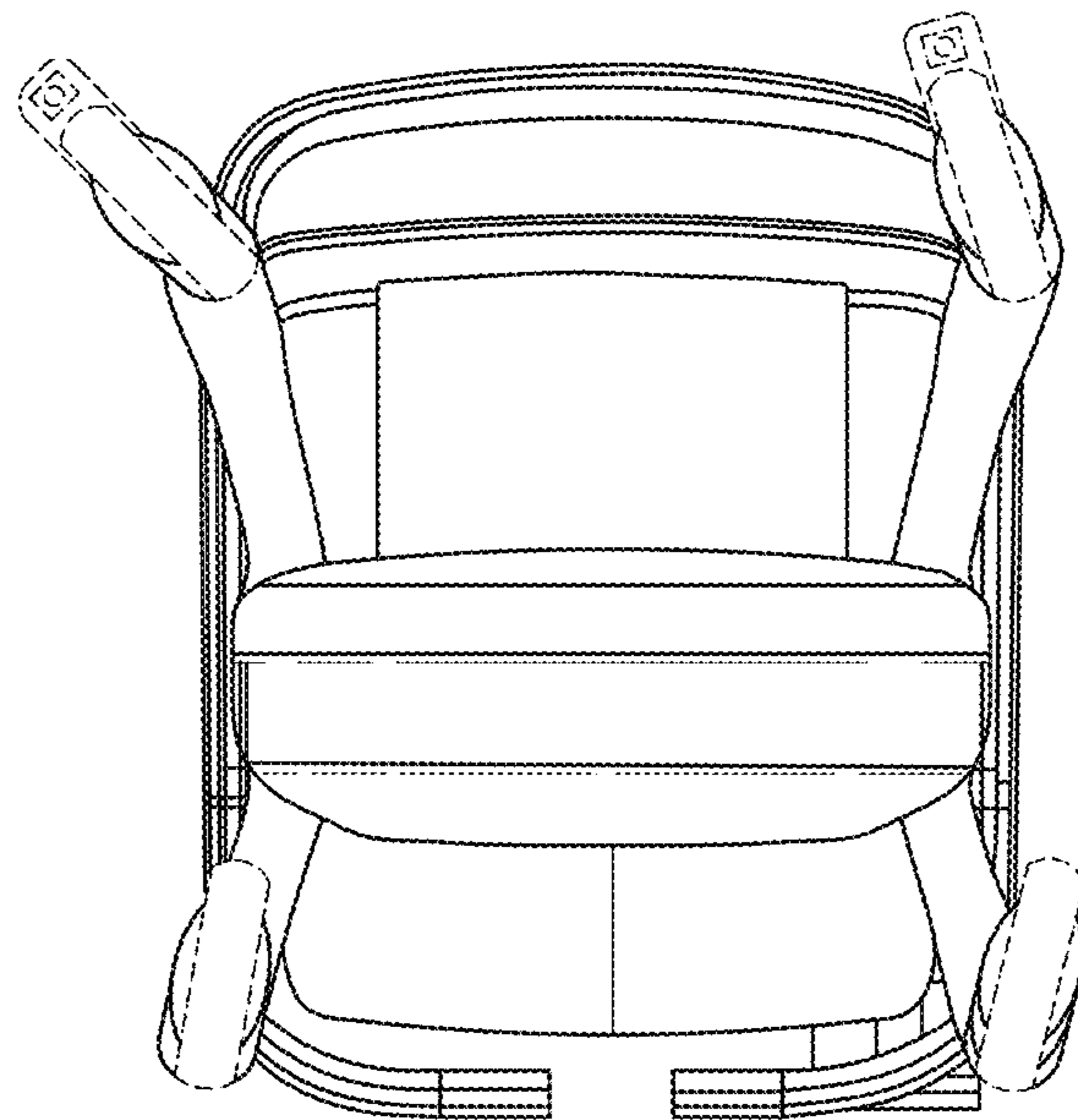


FIG. 8

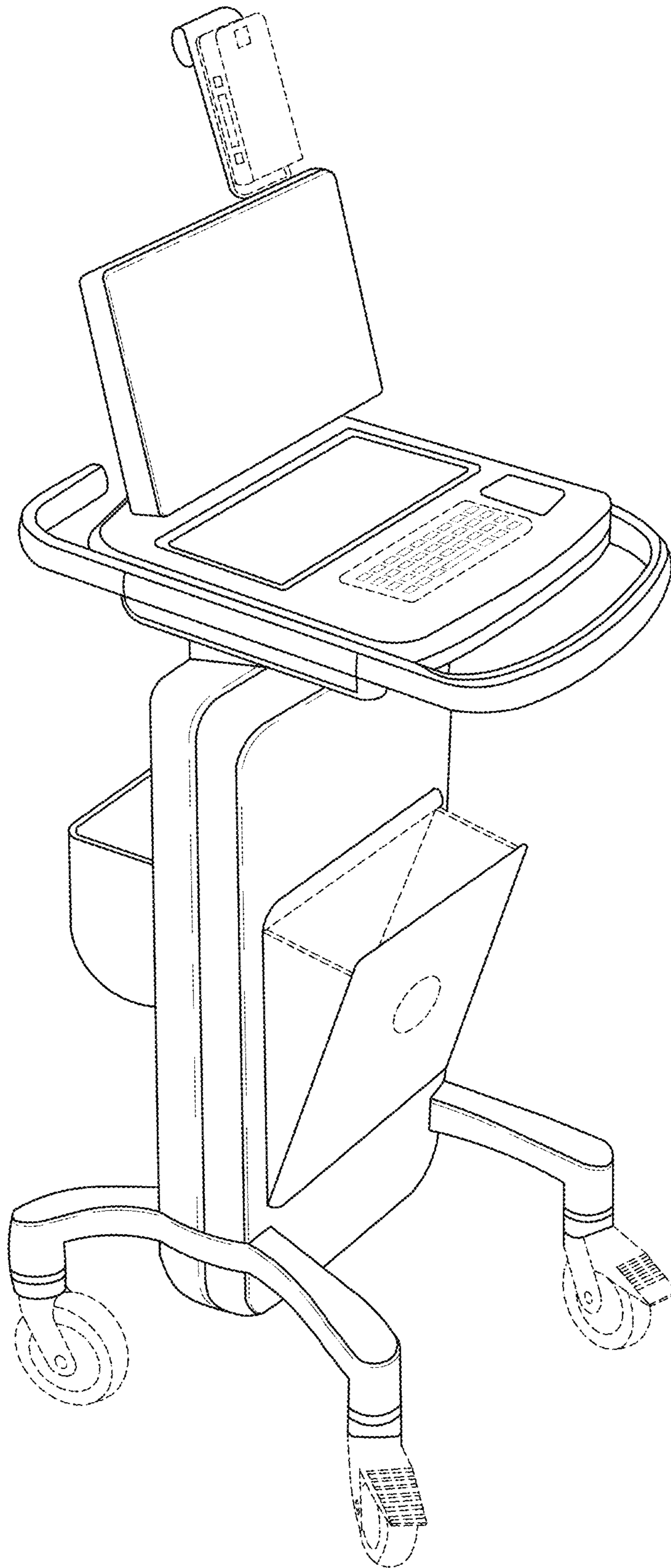


FIG. 9