



US00D777923S

(12) **United States Design Patent**
Butt

(10) **Patent No.:** **US D777,923 S**
(45) **Date of Patent:** **** Jan. 31, 2017**

(54) **NASAL FILTER**
(71) Applicant: **James Butt**, Hanover, PA (US)
(72) Inventor: **James Butt**, Hanover, PA (US)
(**) Term: **15 Years**
(21) Appl. No.: **29/557,917**
(22) Filed: **Mar. 14, 2016**
(51) **LOC (10) Cl.** **24-00**
(52) **U.S. Cl.**
USPC **D24/162**
(58) **Field of Classification Search**
USPC D24/162, 106; D23/365; 128/206.11,
128/203.22, 200.18, 204.12, 200.24;
55/385.1
CPC A62B 23/06; A61M 15/00; A61F 5/08
See application file for complete search history.

D451,193 S * 11/2001 McCormick D24/106
D461,890 S 8/2002 Lawrence
6,564,800 B1 * 5/2003 Olivares A61F 5/08
128/200.24
6,701,924 B1 3/2004 Land, Jr. et al.
6,971,387 B2 12/2005 Michaels
D556,325 S * 11/2007 Michaels D24/162
D608,441 S 1/2010 Charlott
7,748,383 B1 7/2010 Soloway
D627,067 S * 11/2010 Daniel D24/162
7,918,225 B2 4/2011 Dolezal et al.
D645,136 S * 9/2011 Rosati D24/106
D673,257 S * 12/2012 Landaverde, Jr. D24/106
2004/0065065 A1 * 4/2004 Van Patten A62B 23/06
55/385.1
2005/0066973 A1 * 3/2005 Michaels A62B 23/06
128/206.11
2008/0023007 A1 * 1/2008 Dolezal A62B 23/06
128/206.11

* cited by examiner

Primary Examiner — Rhea Shields

(56) **References Cited**
U.S. PATENT DOCUMENTS

3,747,597 A * 7/1973 Olivera A62B 23/06
128/206.11
3,905,335 A * 9/1975 Kapp A62B 23/06
128/206.11
4,030,491 A * 6/1977 Mattila A62B 23/06
128/206.11
4,220,150 A 9/1980 King
4,327,719 A * 5/1982 Childers A62B 23/06
128/203.22
4,706,663 A * 11/1987 Makiej A61M 15/00
128/200.18
D335,921 S * 5/1993 Brake D23/365
5,417,205 A * 5/1995 Wang A62B 23/06
128/204.12
5,425,359 A * 6/1995 Liou A62B 23/06
128/206.11

(57) **CLAIM**

The ornamental design for a nasal filter, as shown and described.

DESCRIPTION

FIG. 1 is a front view of a nasal filter showing my new design, a rear view being identical;
FIG. 2 is a left side view of the nasal filter, a right side view being identical;
FIG. 3 is a top view of the nasal filter;
FIG. 4 is a bottom view of the nasal filter; and,
FIG. 5 is a top front side perspective view of the nasal filter in another configuration.

1 Claim, 3 Drawing Sheets



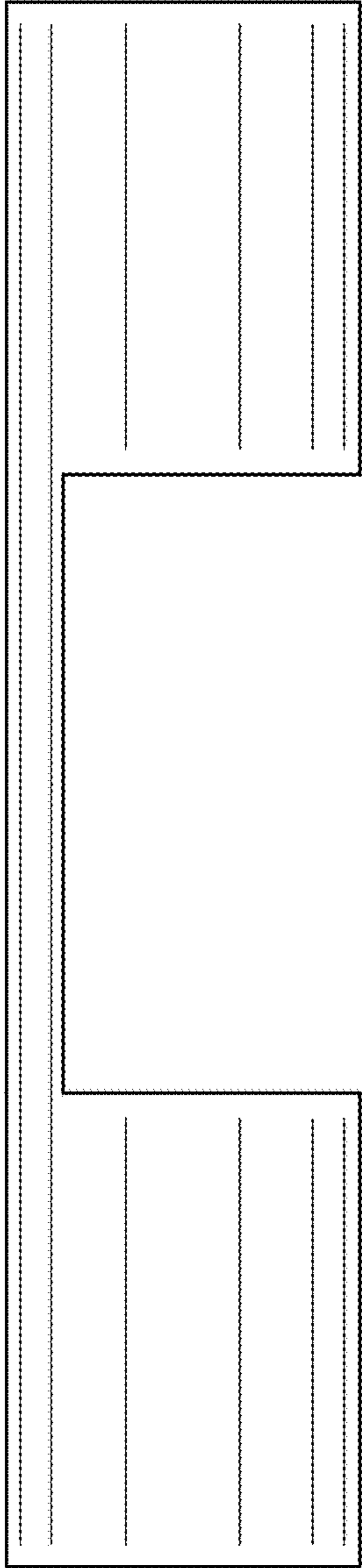


FIG. 1

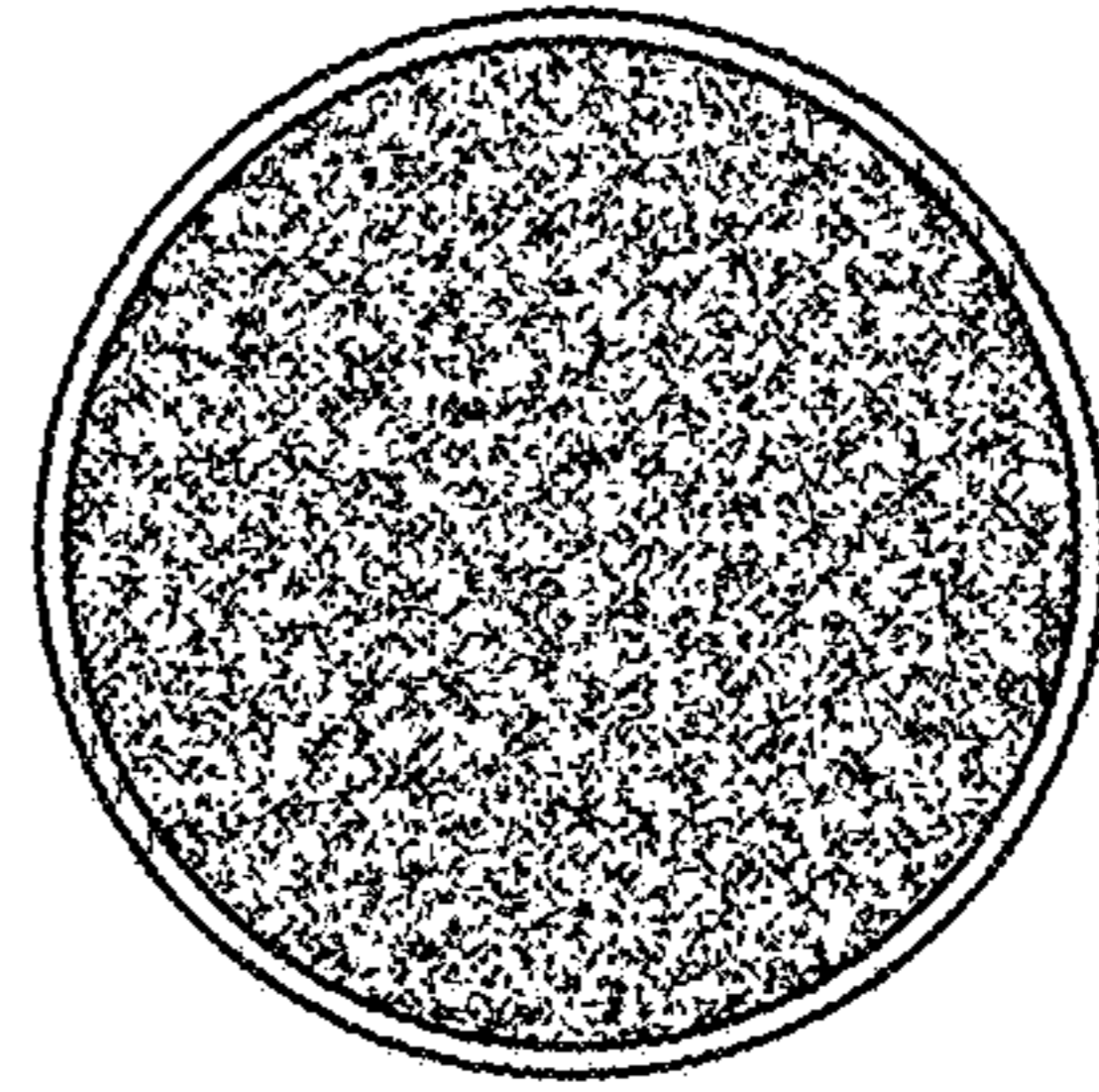


FIG. 2

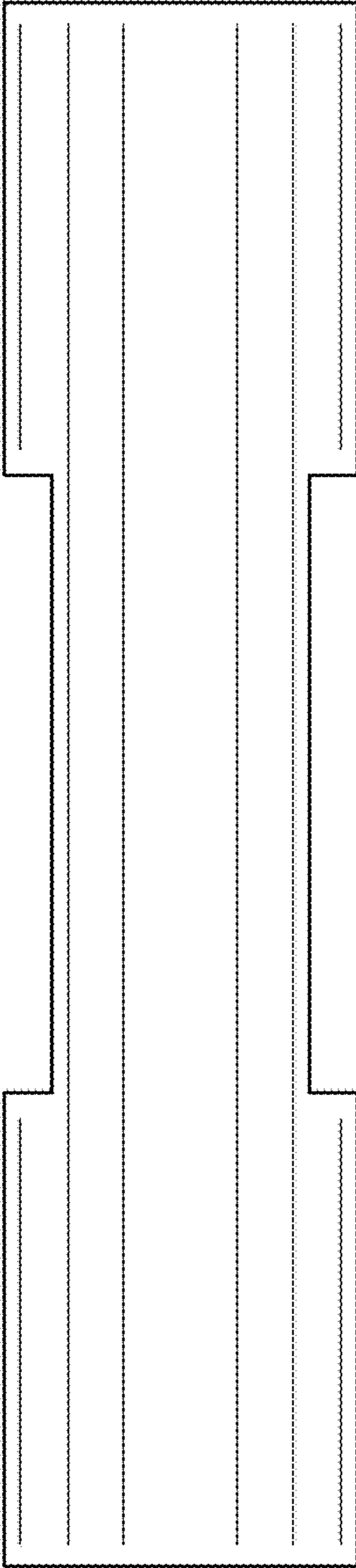


FIG. 3

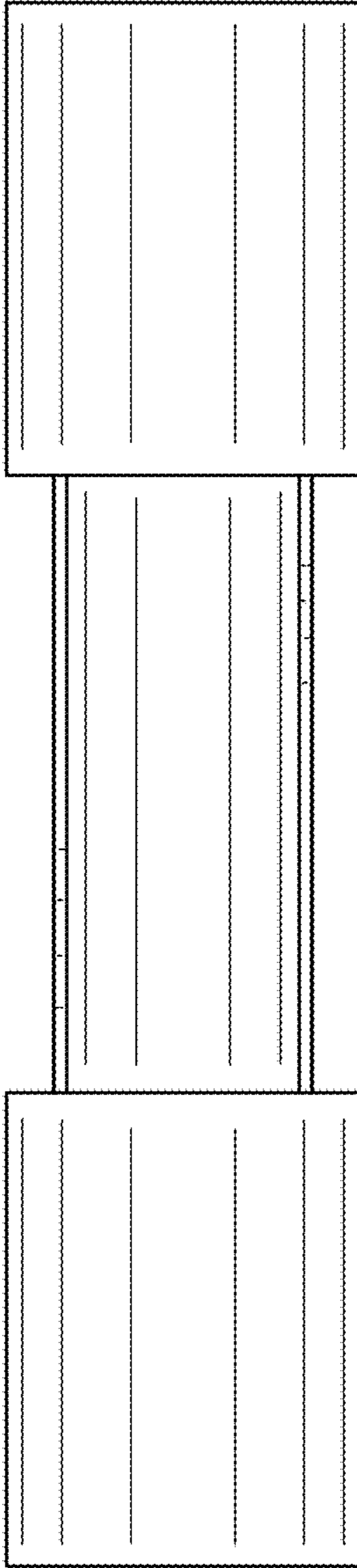


FIG. 4

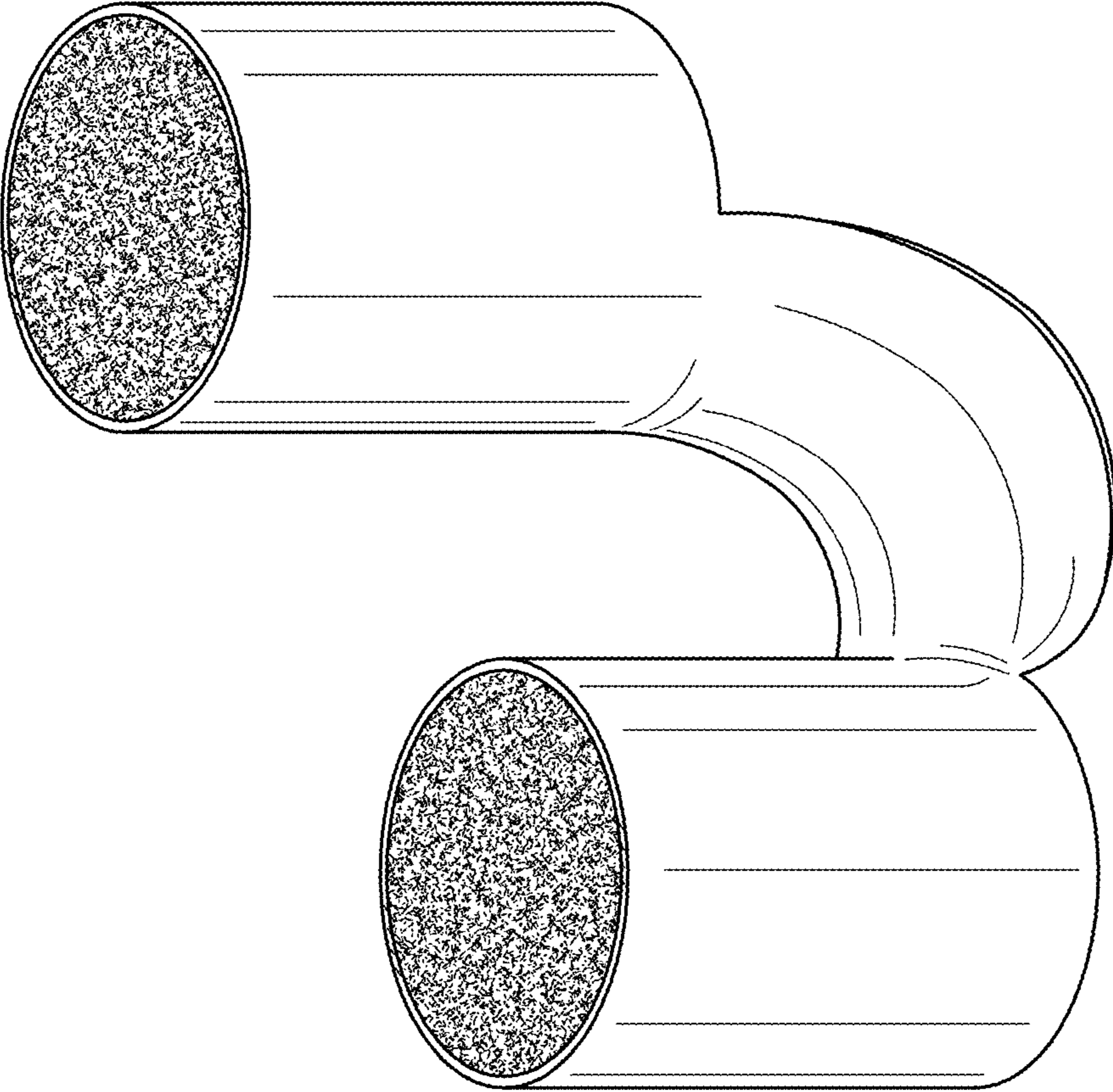


FIG. 5