



US00D777922S

(12) **United States Design Patent**
Sakaguchi et al.

(10) **Patent No.:** **US D777,922 S**
(45) **Date of Patent:** **** Jan. 31, 2017**

(54) **PROTECTIVE COVER OF IMAGING PLATE FOR X-RAY INSPECTION**

(71) Applicant: **FUJIFILM Corporation**, Minato-ku, Tokyo (JP)

(72) Inventors: **Yasunobu Sakaguchi**, Minato-ku (JP);
Yasunori Narukawa, Minato-ku (JP);
Osamu Murakami, Minato-ku (JP);
Tsutomu Fujino, Minato-ku (JP)

(73) Assignee: **FUJIFILM Corporation**, Tokyo (JP)

(**) Term: **15 Years**

(21) Appl. No.: **29/532,655**

(22) Filed: **Jul. 9, 2015**

(30) **Foreign Application Priority Data**

Jan. 19, 2015 (JP) 2015-000816

(51) **LOC (10) Cl.** **24-01**

(52) **U.S. Cl.**
USPC **D24/158**

(58) **Field of Classification Search**
USPC D24/158-161, 231; D29/100, 101.1;
D2/860, 861
CPC A61B 6/107; G21F 3/00; G21F 3/02;
G21Y 2004/30; A61N 2005/1094
See application file for complete search history.

(56) **References Cited**

U.S. PATENT DOCUMENTS

D241,378 S * 9/1976 Burger 250/516.1
4,581,538 A * 4/1986 Lenhart G21F 3/00
250/515.1
5,900,638 A * 5/1999 Jaeger A61B 6/107
250/515.1

D424,198 S * 5/2000 Shepherd D24/158
6,278,125 B1 * 8/2001 Belek G21F 3/00
250/515.1
7,099,427 B2 * 8/2006 Cadwalader A61B 6/107
250/515.1
D705,933 S * 5/2014 Matuschek D24/158
D748,265 S * 1/2016 Ballsieper D24/158

(Continued)

Primary Examiner — Anhdao Doan

(74) *Attorney, Agent, or Firm* — Sughrue Mion, PLLC

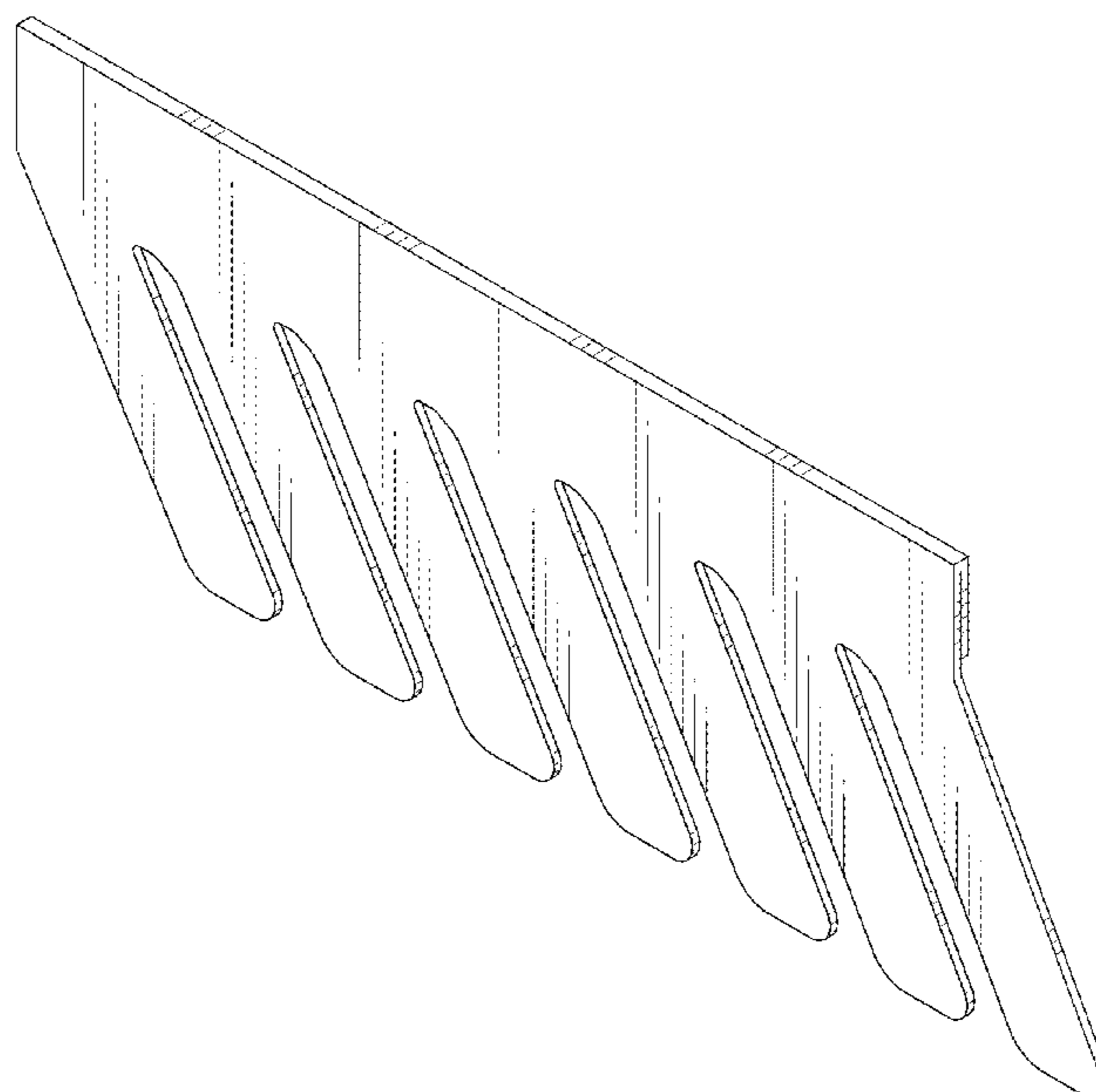
(57) **CLAIM**

The ornamental design for a protective cover of imaging plate for X-ray inspection, as shown and described.

DESCRIPTION

FIG. 1 is a top, front and right side perspective view of a protective cover of imaging plate for X-ray inspection showing my new design;
FIG. 2 is a top, rear and left side perspective view thereof;
FIG. 3 is a front elevational view thereof;
FIG. 4 is a rear elevational view thereof;
FIG. 5 is a top plan view thereof;
FIG. 6 is a bottom plan view thereof;
FIG. 7 is a left side elevational view thereof;
FIG. 8 is a right side elevational view thereof;
FIG. 9 is a top, rear and left side perspective view of the present article and an imaging plate;
FIG. 10 is a top, rear and left side perspective view of an assembly of the present article and the imaging plate; and, FIG. 11 is a top, rear and left side perspective view of the assembly of the present article and the imaging plate, which is attached to a turbine unit and used in an X-ray inspection of the turbine unit, in a manner of use.
The broken lines in FIGS. 9-11 illustrate environment and are for illustrative purpose only. The broken lines form no part of the claimed design.

1 Claim, 10 Drawing Sheets



(56)

References Cited

U.S. PATENT DOCUMENTS

2005/0058257 A1* 3/2005 Fischer A61B 6/04
378/196
2007/0167753 A1* 7/2007 Van Wyk A61B 5/02411
600/437

* cited by examiner

FIG. 1

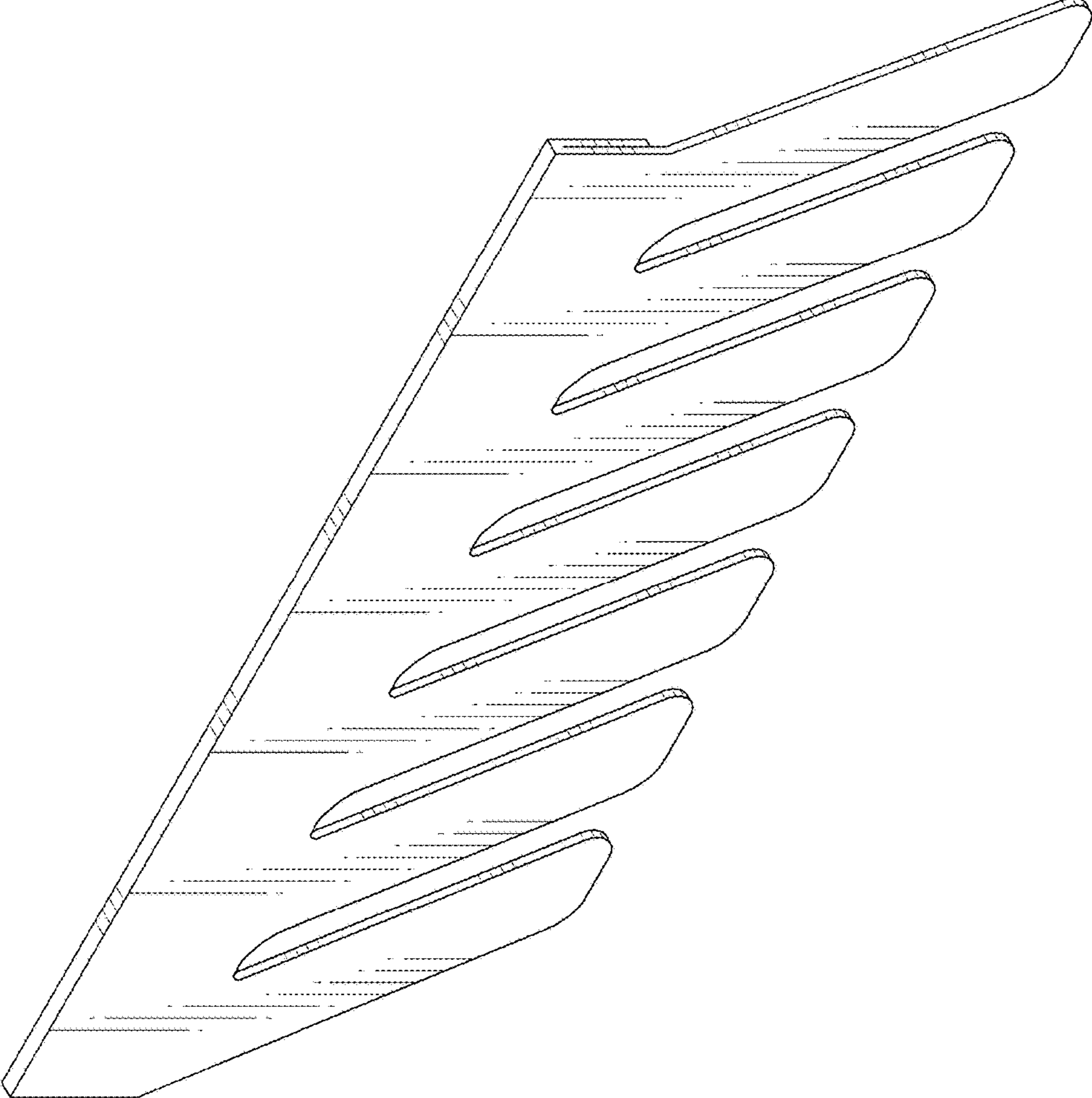


FIG. 2

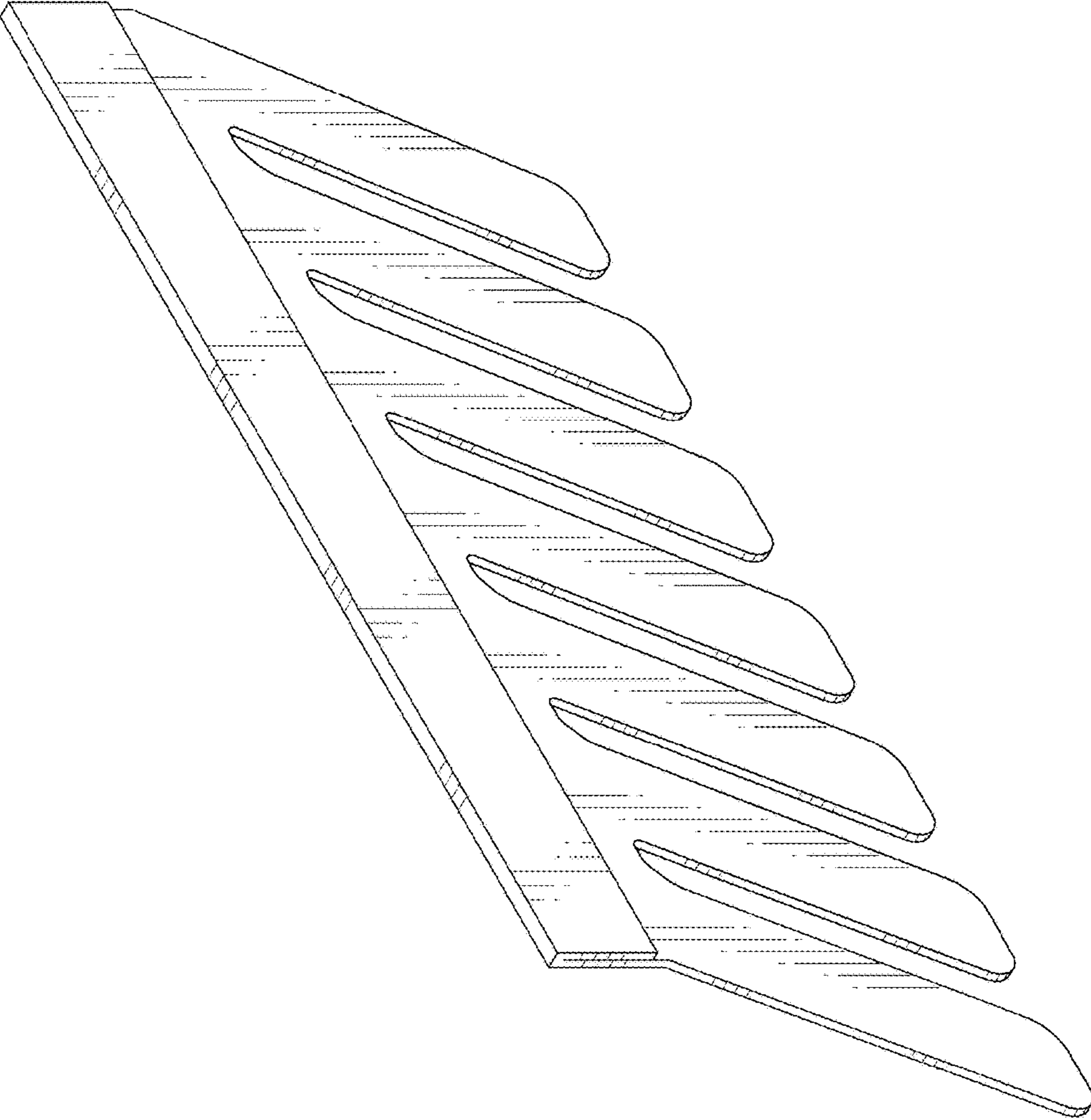


FIG. 3

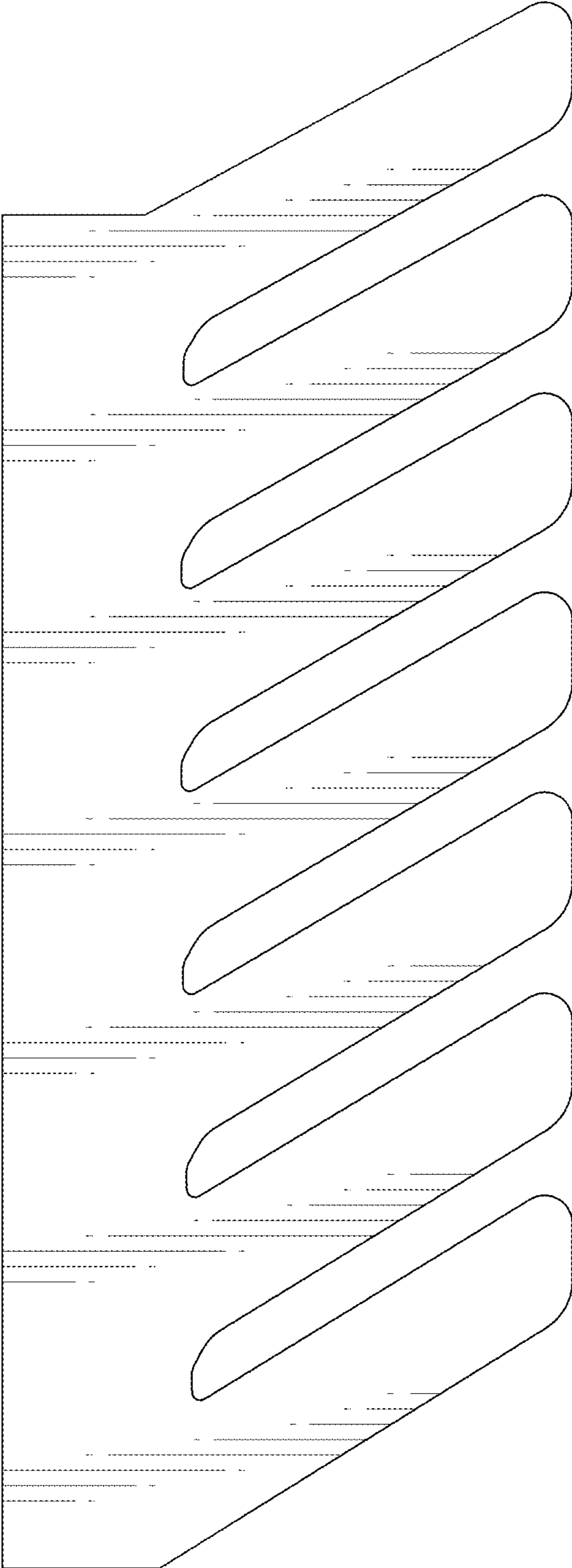


FIG. 4

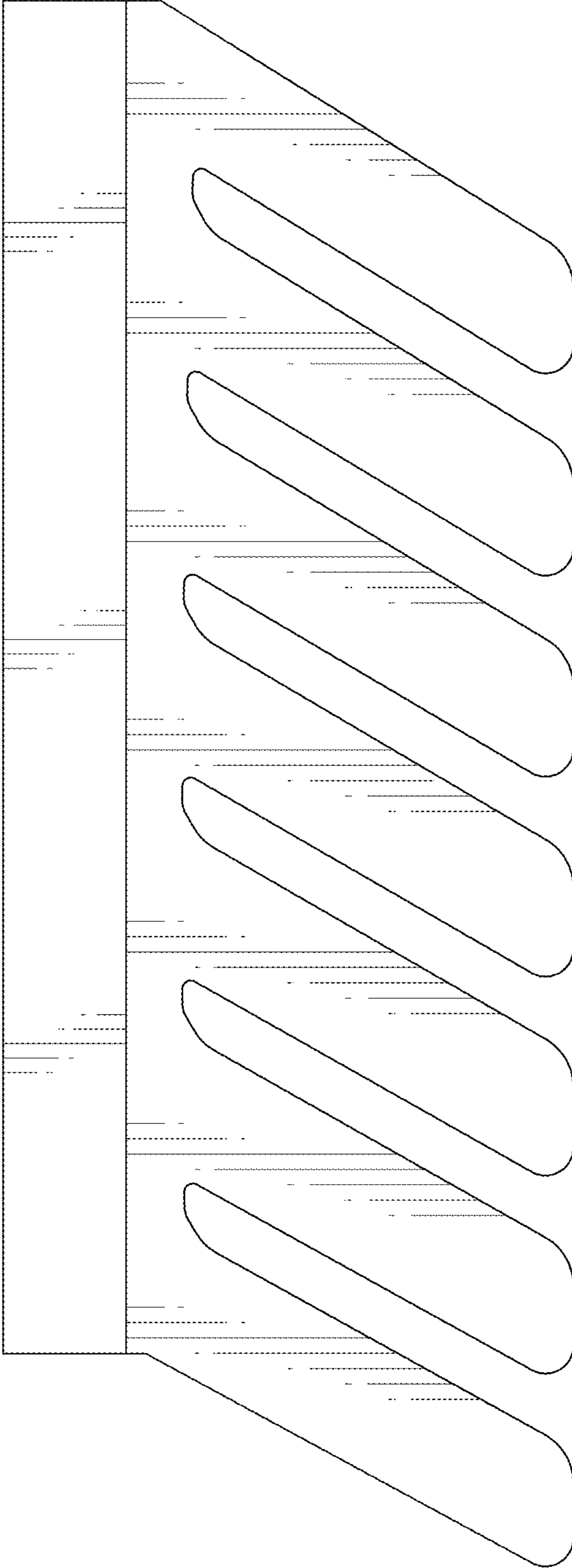


FIG. 5



FIG. 6

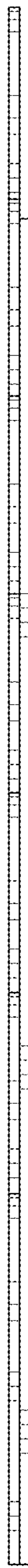


FIG. 7



FIG. 8

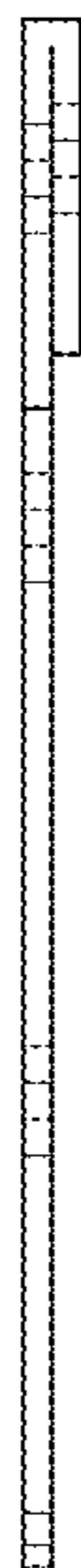


FIG. 9

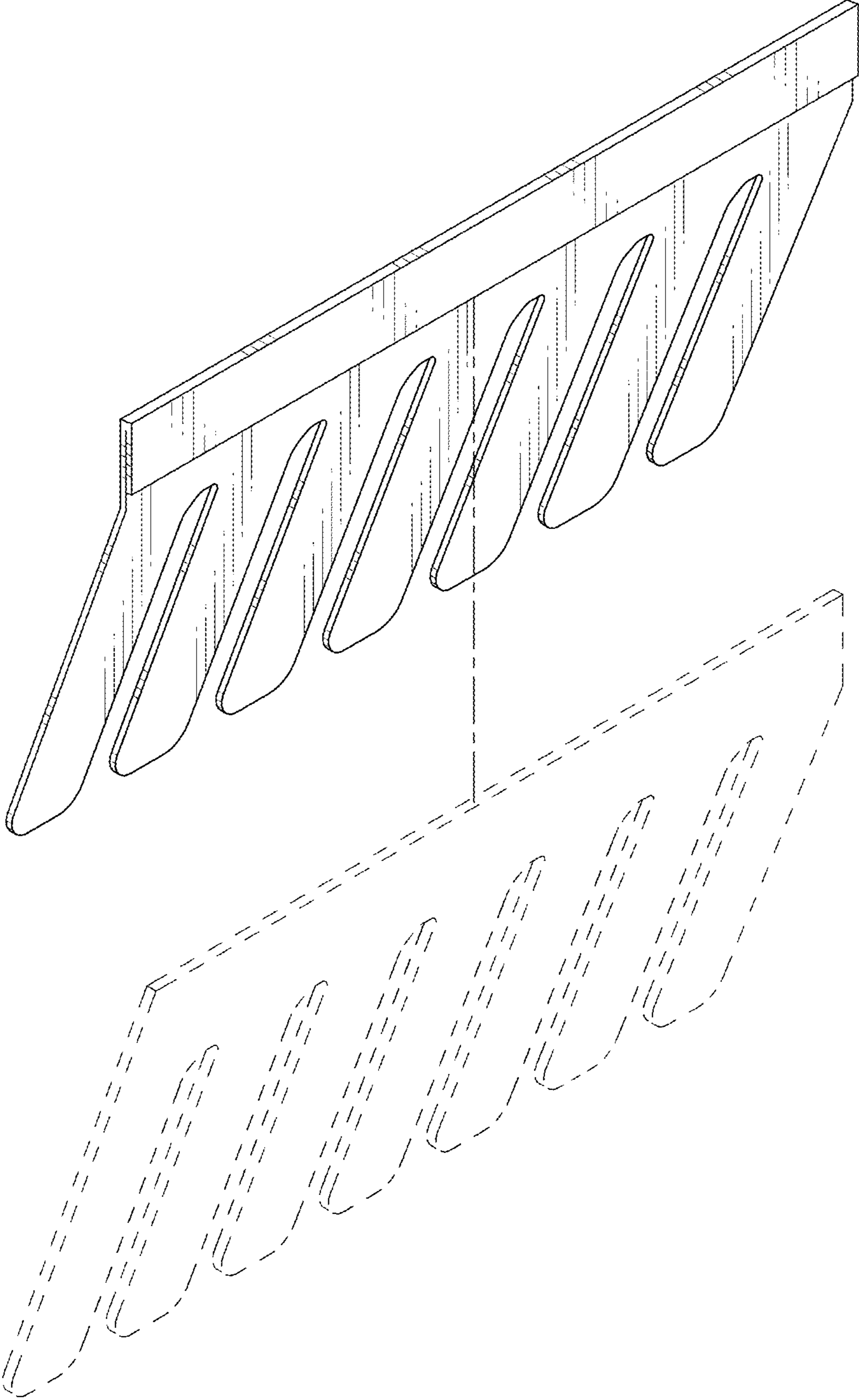


FIG. 10

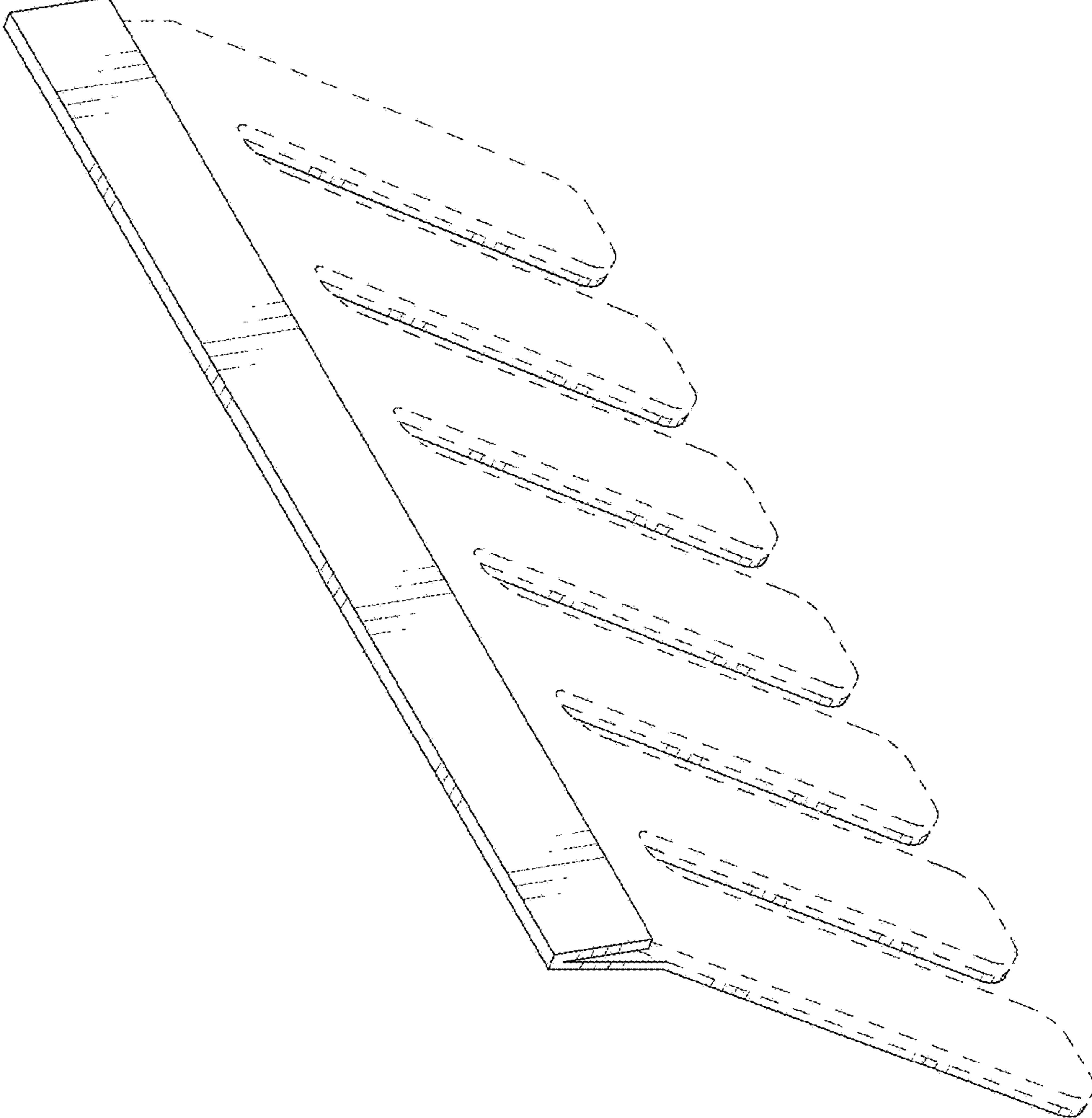


FIG. 11

