



US00D777918S

(12) **United States Design Patent** (10) **Patent No.:** **US D777,918 S**
Karbowniczek et al. (45) **Date of Patent:** **** Jan. 31, 2017**

(54) **LANCET**
(71) Applicant: **HTL-STREFA SPOLKA AKCYJNA**
(72) Inventors: **Jacek Karbowniczek**, Warsaw (PL);
Pawel Czepiel, Mielec (PL); **Vincent Leskovich**, Dodecanes (GR)
(73) Assignee: **HTL-STREFA SPOLKA AKCYJNA**,
Ozorkow (PL)
(**) Term: **14 Years**
(21) Appl. No.: **29/480,718**
(22) Filed: **Jan. 29, 2014**

(30) **Foreign Application Priority Data**
Jul. 30, 2013 (EM) 0022832750003
(51) **LOC (10) Cl.** **24-02**
(52) **U.S. Cl.**
USPC **D24/146**
(58) **Field of Classification Search**
USPC D24/146, 147, 133, 130, 113, 114;
600/385, 573, 583; 606/167, 172,
606/181-185; 210/453
CPC A61B 5/00; A61B 5/15; A61B 17/32;
A61B 17/32053
See application file for complete search history.

(56) **References Cited**
U.S. PATENT DOCUMENTS
3,358,689 A * 12/1967 Higgins 606/181
D357,068 S * 4/1995 Koros D24/147
D362,719 S * 9/1995 Kaplan D24/147
D376,649 S * 12/1996 Kim D24/147
D379,516 S 5/1997 Rutter
D387,865 S 12/1997 Peckham et al.
D393,716 S 4/1998 Brenneman et al.

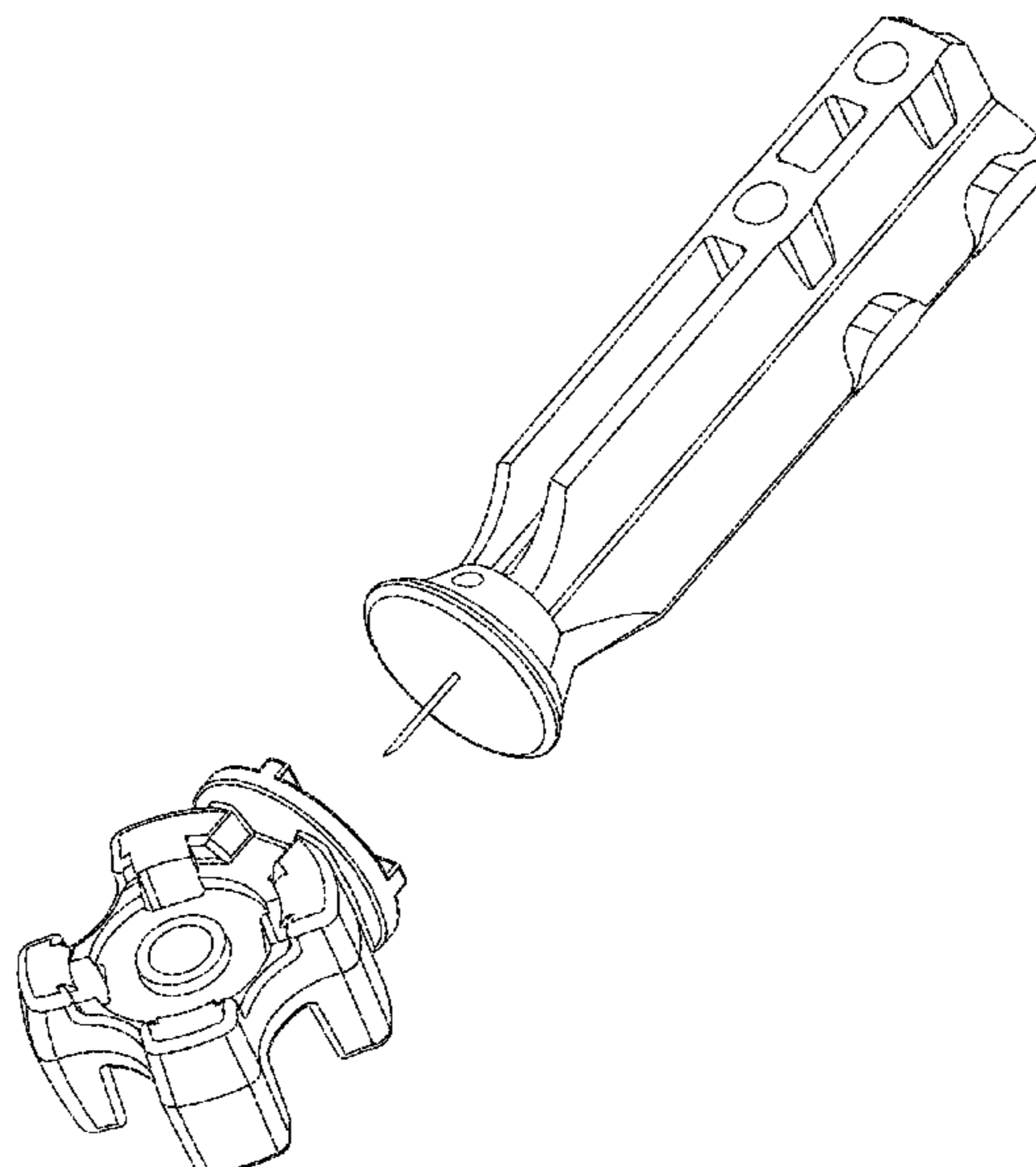
D393,717 S 4/1998 Brenneman et al.
D411,619 S 6/1999 Duchon
D412,985 S 8/1999 Weekes
D484,243 S * 12/2003 Ryan D24/146
D484,244 S * 12/2003 Starnes D24/146
D496,101 S 9/2004 Davison
D499,182 S 11/2004 Moore et al.
D532,517 S 11/2006 Wilkinson
D538,934 S 3/2007 Wilkinson

(Continued)
Primary Examiner — Ian Simmons
Assistant Examiner — Carissa C Fitts
(74) *Attorney, Agent, or Firm* — Wentsler LLC

(57) **CLAIM**
The ornamental design for a lancet, as shown and described.

DESCRIPTION
FIG. 1 is a top plan view of a lancet, showing our new design;
FIG. 2 is a left side view of the lancet of FIG. 1, wherein the right side view of the lancet would appear as a mirror image of FIG. 2;
FIG. 3 is a bottom plan view of the lancet of FIG. 1;
FIG. 4 is a front view of the lancet of FIG. 1;
FIG. 5 is a rear view of the lancet of FIG. 1;
FIG. 6 is a rear, top and right side perspective view of the lancet of FIG. 1, wherein a rear, top and left side perspective view of the lancet would appear as a mirror image of FIG. 6; and,
FIG. 7 is a front, bottom and right side perspective view of the lancet of FIG. 1 with a cap of the lancet being disconnected from a body of the lancet, wherein a front, bottom, left side perspective view of the lancet with the cap being disconnected from the body would appear as a mirror image of FIG. 7.
The broken lines represent unclaimed portions of the article and forms no part of the claimed design.

1 Claim, 6 Drawing Sheets



(56)

References Cited

U.S. PATENT DOCUMENTS

D557,807	S	12/2007	McCarty	
D562,980	S	2/2008	Marshall	
D562,981	S	2/2008	Trissel et al.	
D567,944	S	4/2008	Sarna	
D569,517	S	5/2008	Wilkinson	
D569,975	S	5/2008	Wilkinson	
D579,564	S	10/2008	Sarna	
D581,533	S	11/2008	Ruf et al.	
D592,307	S	5/2009	Curry et al.	
D605,290	S	12/2009	Ruf et al.	
7,713,280	B2 *	5/2010	Marshall	606/181
D617,904	S	6/2010	Lai	
D621,044	S	8/2010	Trissel et al.	
D621,045	S	8/2010	Trissel et al.	
7,914,546	B2 *	3/2011	Marshall	606/181
D645,147	S	9/2011	Ruf	
D645,148	S	9/2011	Ruf	
D648,852	S	11/2011	Shi	
D673,678	S	1/2013	Hong	
D673,679	S *	1/2013	Hong	D24/146
D690,008	S	9/2013	Wang et al.	
8,652,159	B2 *	2/2014	Trissel et al.	606/181
8,721,672	B2 *	5/2014	Stout et al.	606/181
8,821,525	B2 *	9/2014	Pusey et al.	606/181
8,920,454	B2 *	12/2014	Hyoue	606/181

* cited by examiner

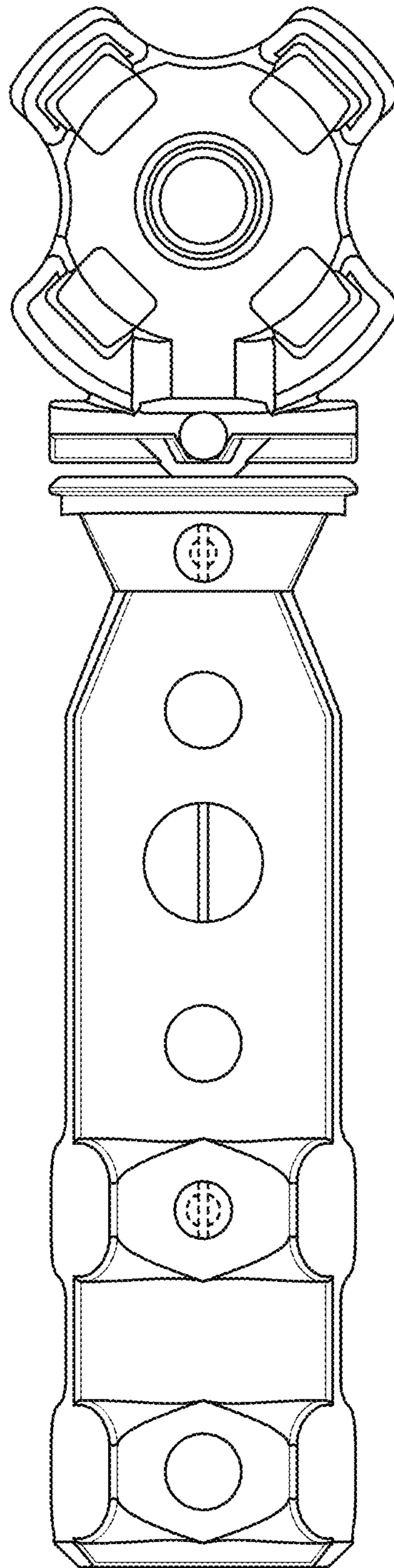


FIG. 1

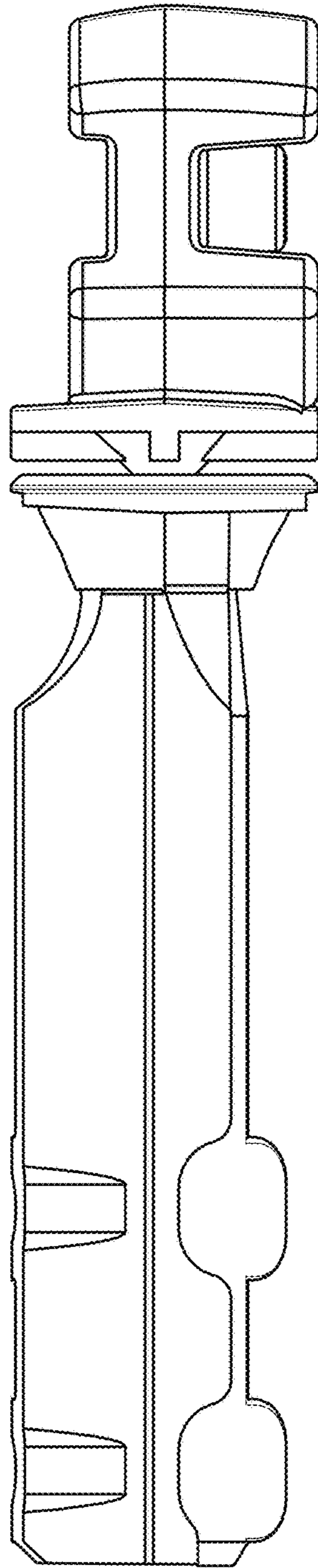


FIG. 2

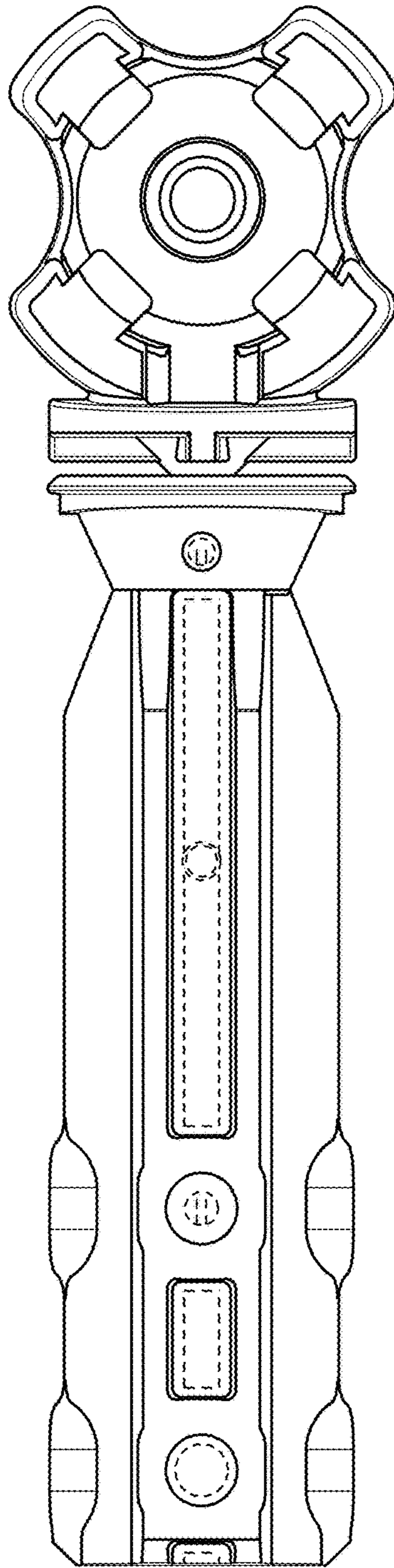


FIG. 3

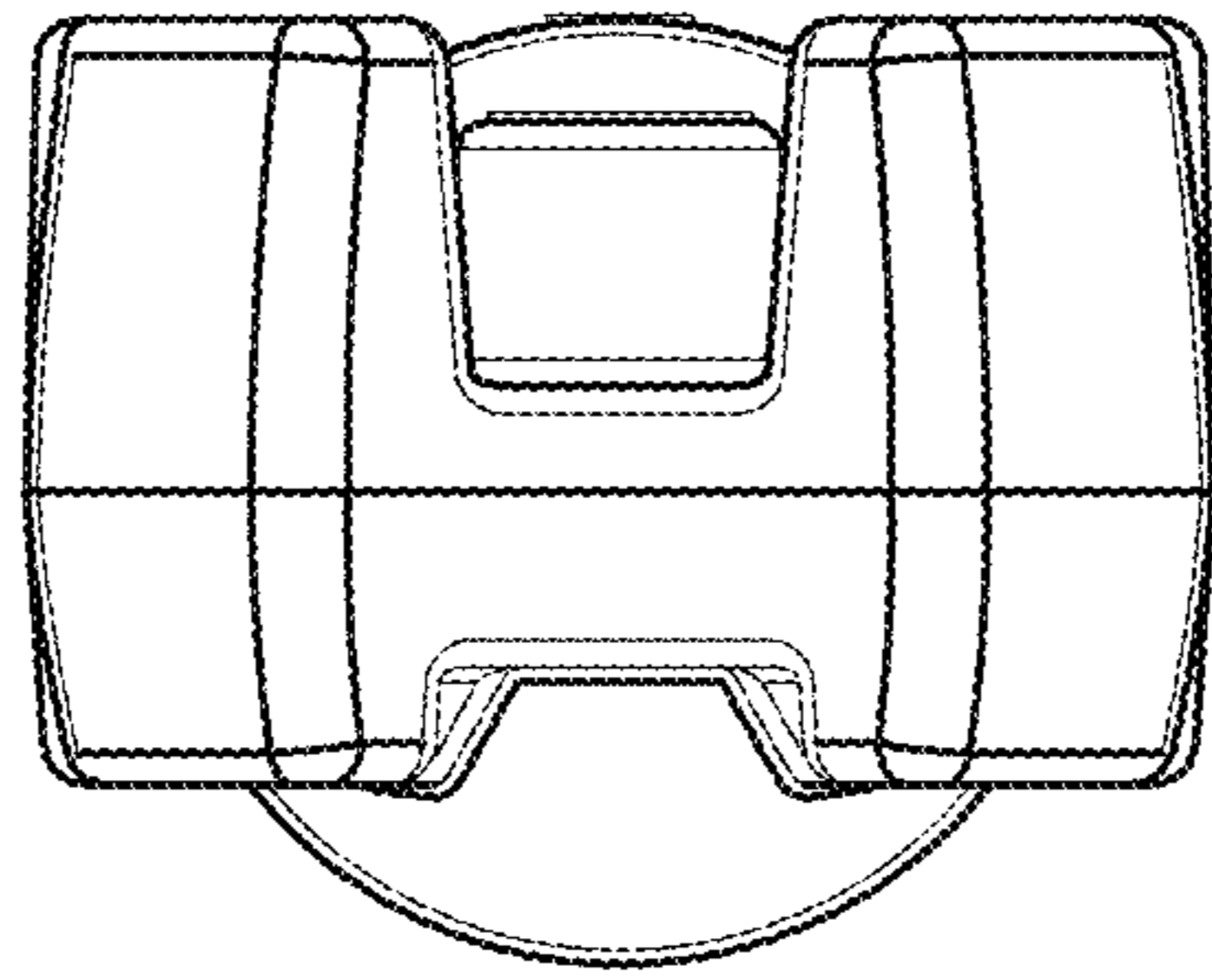


FIG. 4

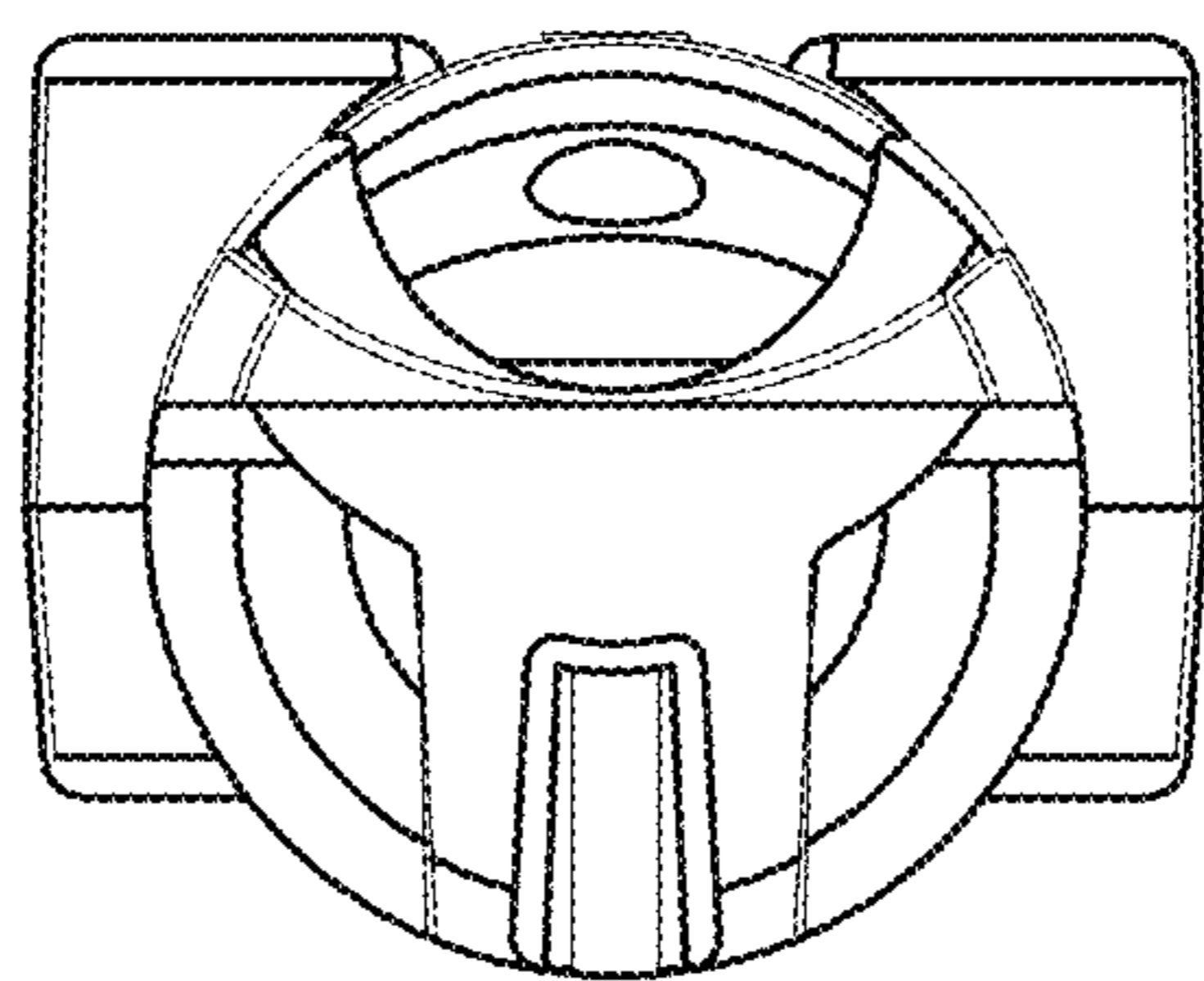


FIG. 5

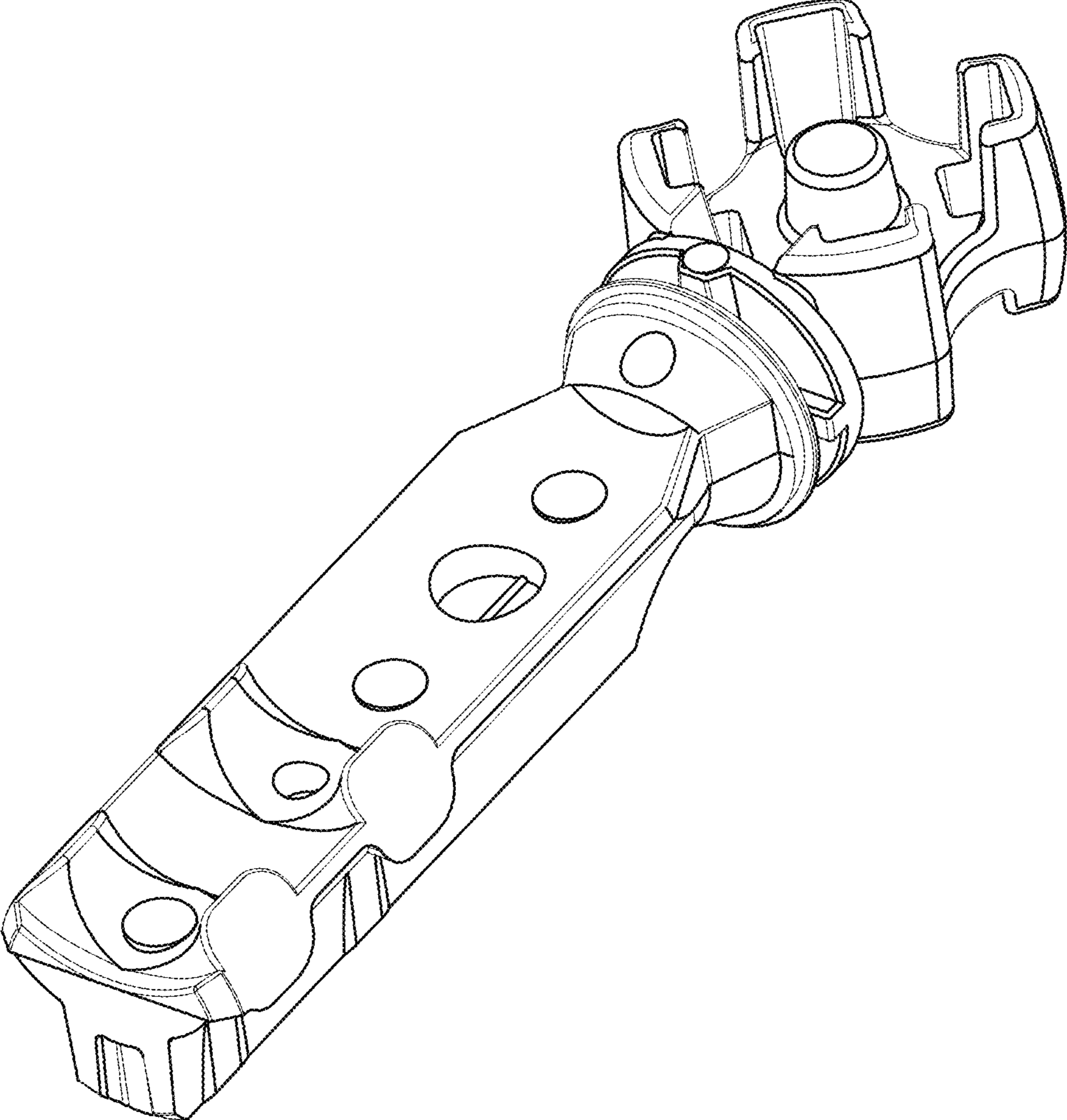


FIG. 6

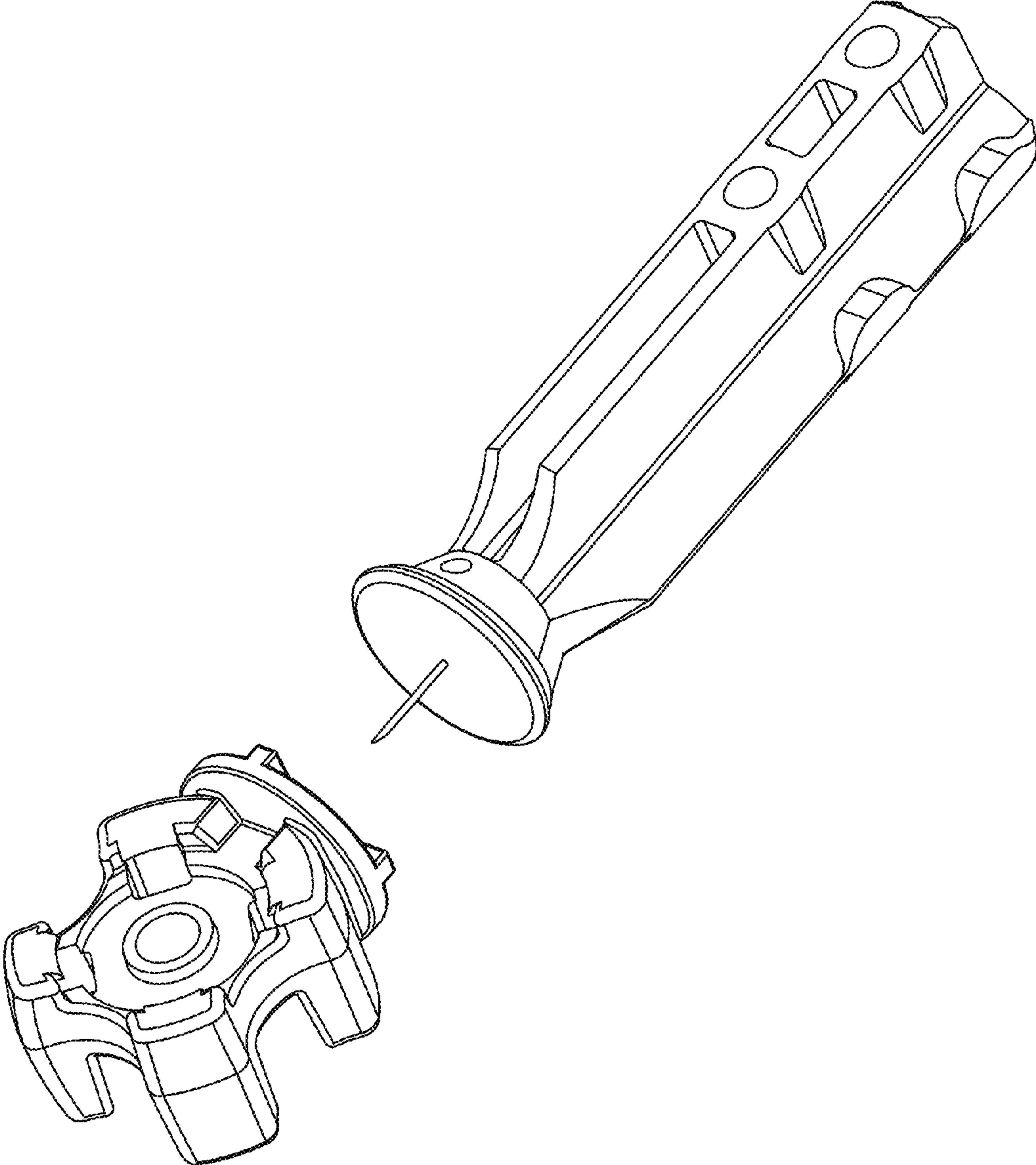


FIG. 7