



US00D777914S

(12) **United States Design Patent** (10) **Patent No.:** **US D777,914 S**
Wapler et al. (45) **Date of Patent:** **** Jan. 31, 2017**

(54) **SURGICAL INSTRUMENT**

(71) Applicant: **Stryker European Holdings I, LLC**,
Kalamazoo, MI (US)

(72) Inventors: **Matthias Wapler**, Kirchzarten (DE);
Sascha Kubis, Freiburg (DE)

(73) Assignee: **Stryker European Holdings I, LLC**,
Kalamazoo, MI (US)

(**) Term: **15 Years**

(21) Appl. No.: **29/549,921**

(22) Filed: **Dec. 29, 2015**

Related U.S. Application Data

(62) Division of application No. 29/511,400, filed on Dec.
10, 2014, now Pat. No. Des. 751,196.

(30) **Foreign Application Priority Data**

Nov. 5, 2014 (EM) 001424378-0001
Nov. 5, 2014 (EM) 001424378-0002

(51) **LOC (10) Cl.** **24-02**

(52) **U.S. Cl.**
USPC **D24/133**

(58) **Field of Classification Search**
USPC D24/137, 133, 138, 143-144, 145-147;
128/897, 898, 899; 600/104, 153, 154,
600/564; 604/22, 27; 606/1, 37, 104, 130,
606/139, 220, 232
CPC ... A61B 17/00; A61B 18/00; A61B 17/00491;
A61B 1/00105; A61B 1/0052; A61B
1/0058; A61B 1/00052; A61B 1/00066;
A61B 17/06109; A61B 17/8819; A61B
17/8825; A61M 37/04

See application file for complete search history.

(56) **References Cited**

U.S. PATENT DOCUMENTS

D449,693 S	10/2001	Shibuya et al.	
D466,213 S *	11/2002	Snitkin	D24/133
D620,593 S *	7/2010	Tran	D24/144
D622,380 S *	8/2010	Vernooij	D24/133
D704,332 S	5/2014	Casey et al.	
D704,333 S	5/2014	Casey et al.	
D717,431 S	11/2014	Cardinale et al.	
D751,196 S *	3/2016	Wapler	D24/133
2015/0005788 A1 *	1/2015	Sniffin	A61B 17/064 606/139

* cited by examiner

Primary Examiner — Wan Laymon

Assistant Examiner — Mark Booker

(74) *Attorney, Agent, or Firm* — Howard & Howard
Attorneys PLLC

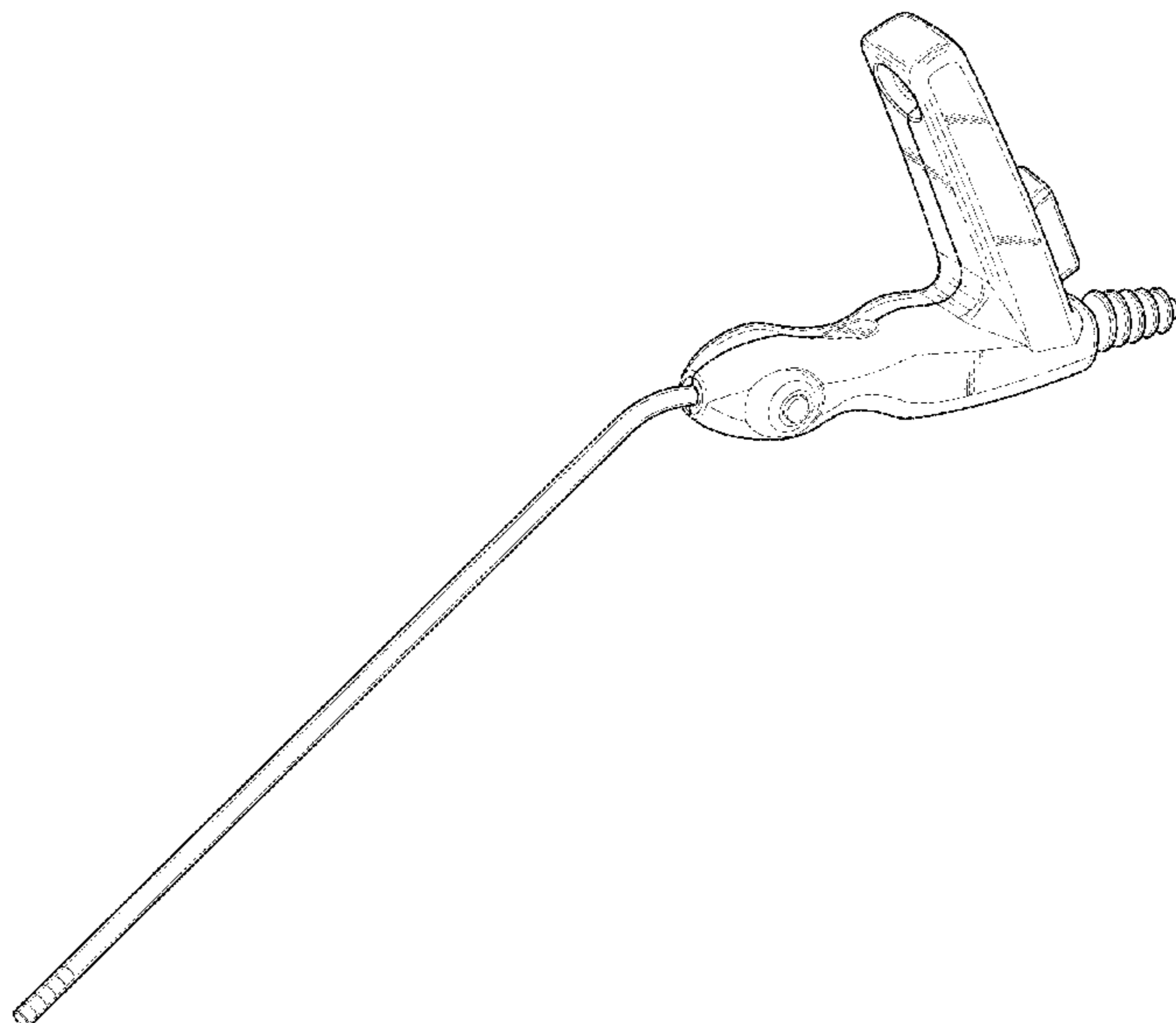
(57) **CLAIM**

The ornamental design for a surgical instrument, as shown
and described.

DESCRIPTION

FIG. 1 is a right perspective view of a surgical instrument;
FIG. 2 is a left perspective view of the surgical instrument;
FIG. 3 is a left-side view of the surgical instrument;
FIG. 4 is a right-side view of the surgical instrument;
FIG. 5 is a top view of the second embodiment of the
surgical instrument;
FIG. 6 is a bottom view of the second embodiment of the
surgical instrument;
FIG. 7 is a front view of the second embodiment of the
surgical instrument; and,
FIG. 8 is a rear view of the second embodiment of the
surgical instrument.
The broken lines shown in the figures represent portions of
the article that forms no part of the claimed design.

1 Claim, 6 Drawing Sheets



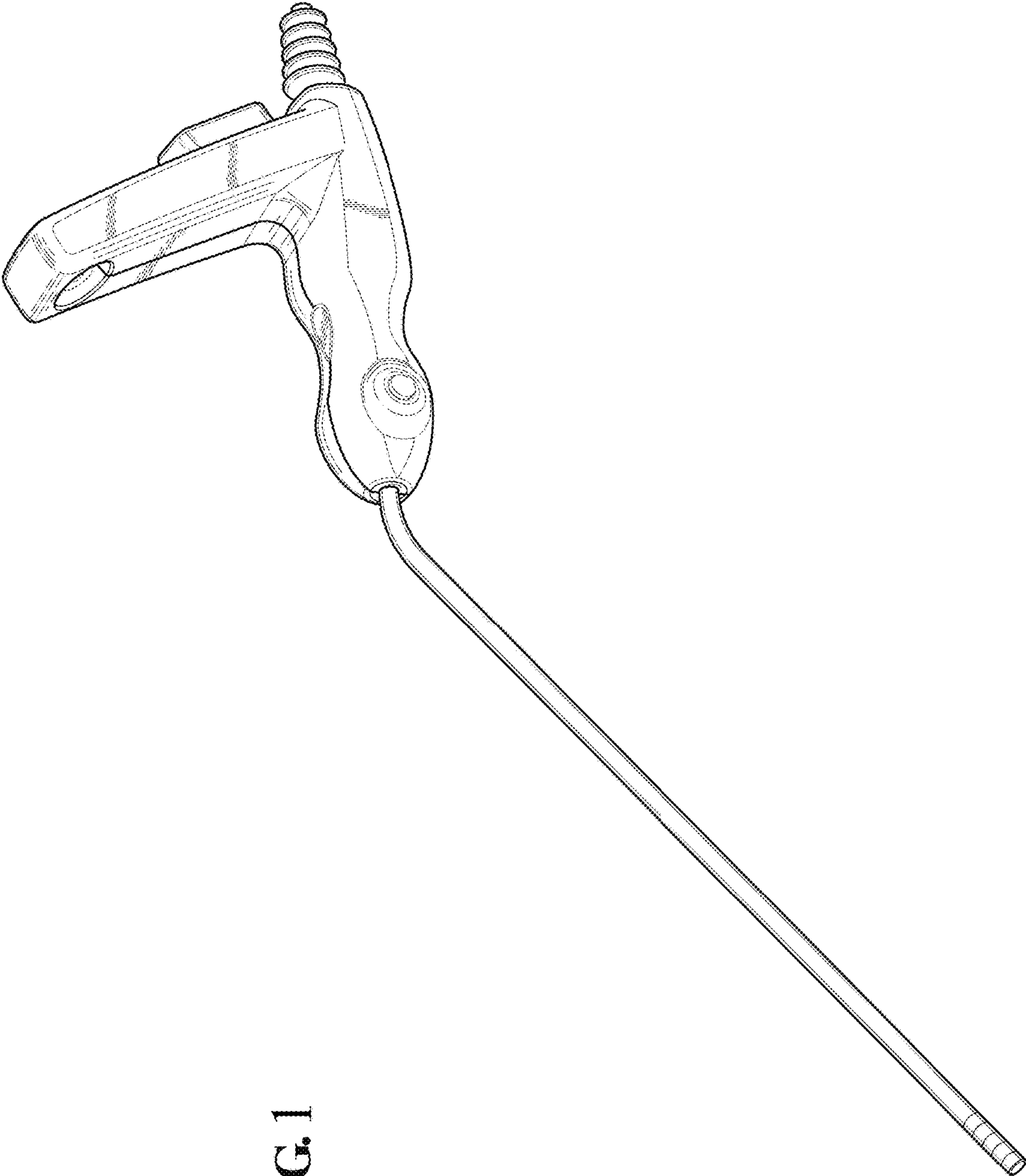


FIG. 1

FIG. 2

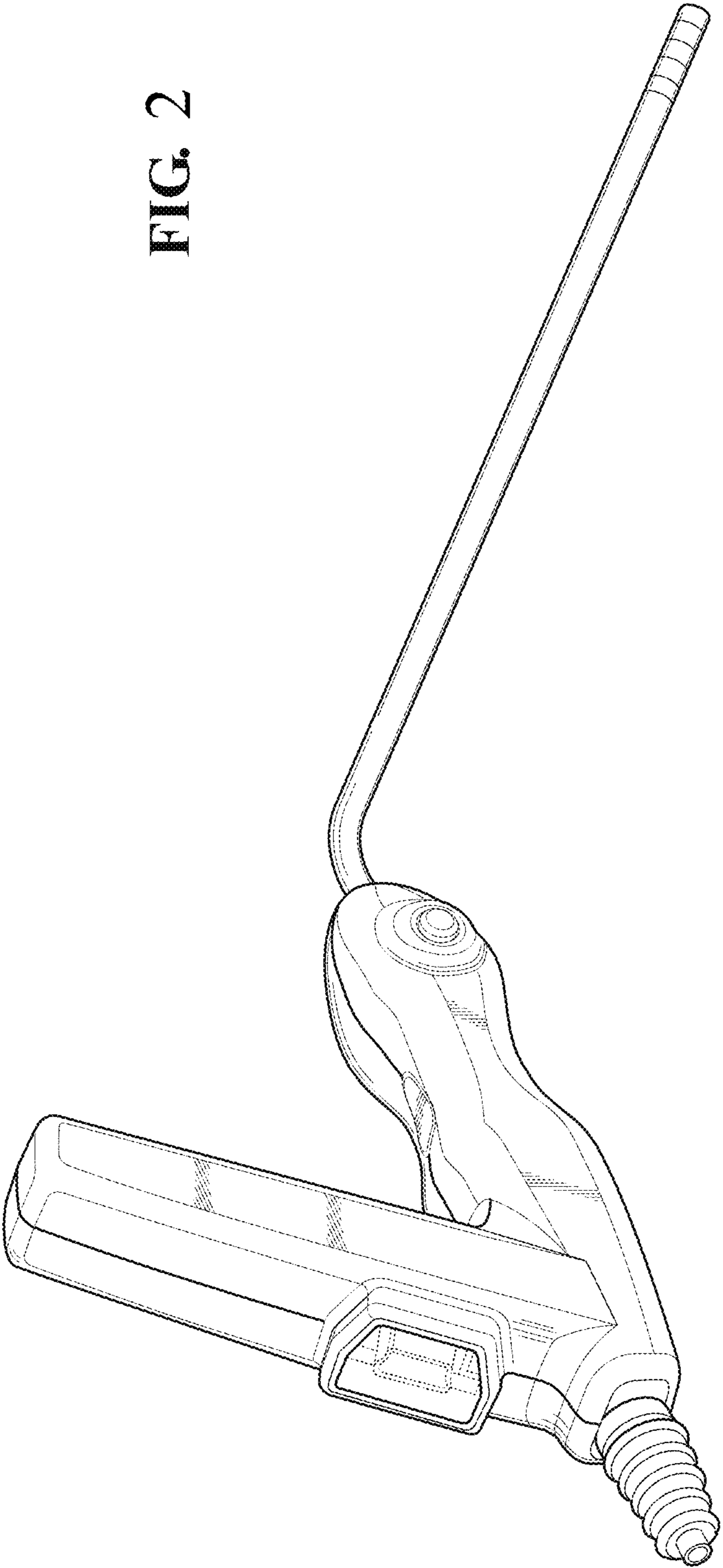
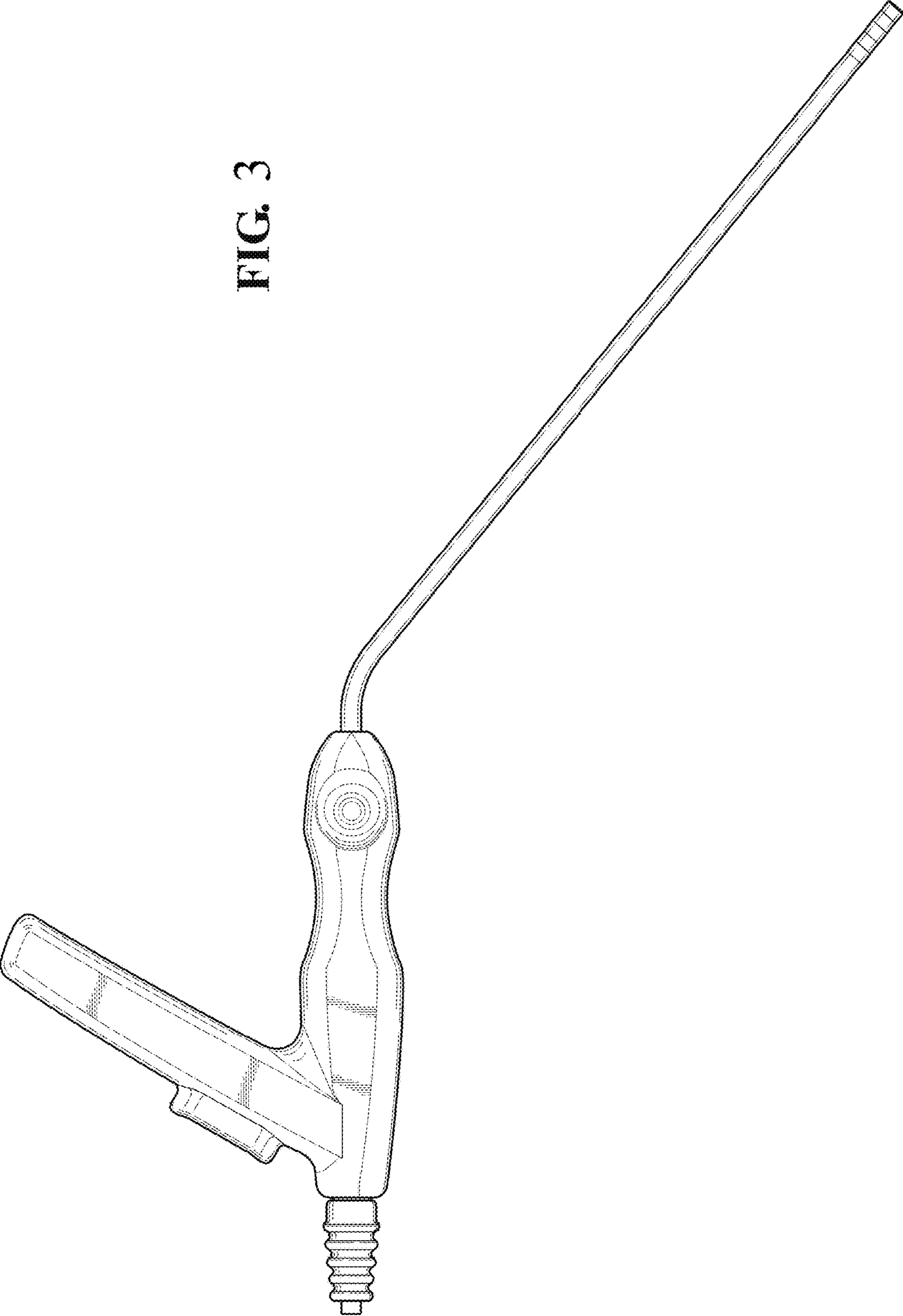


FIG. 3



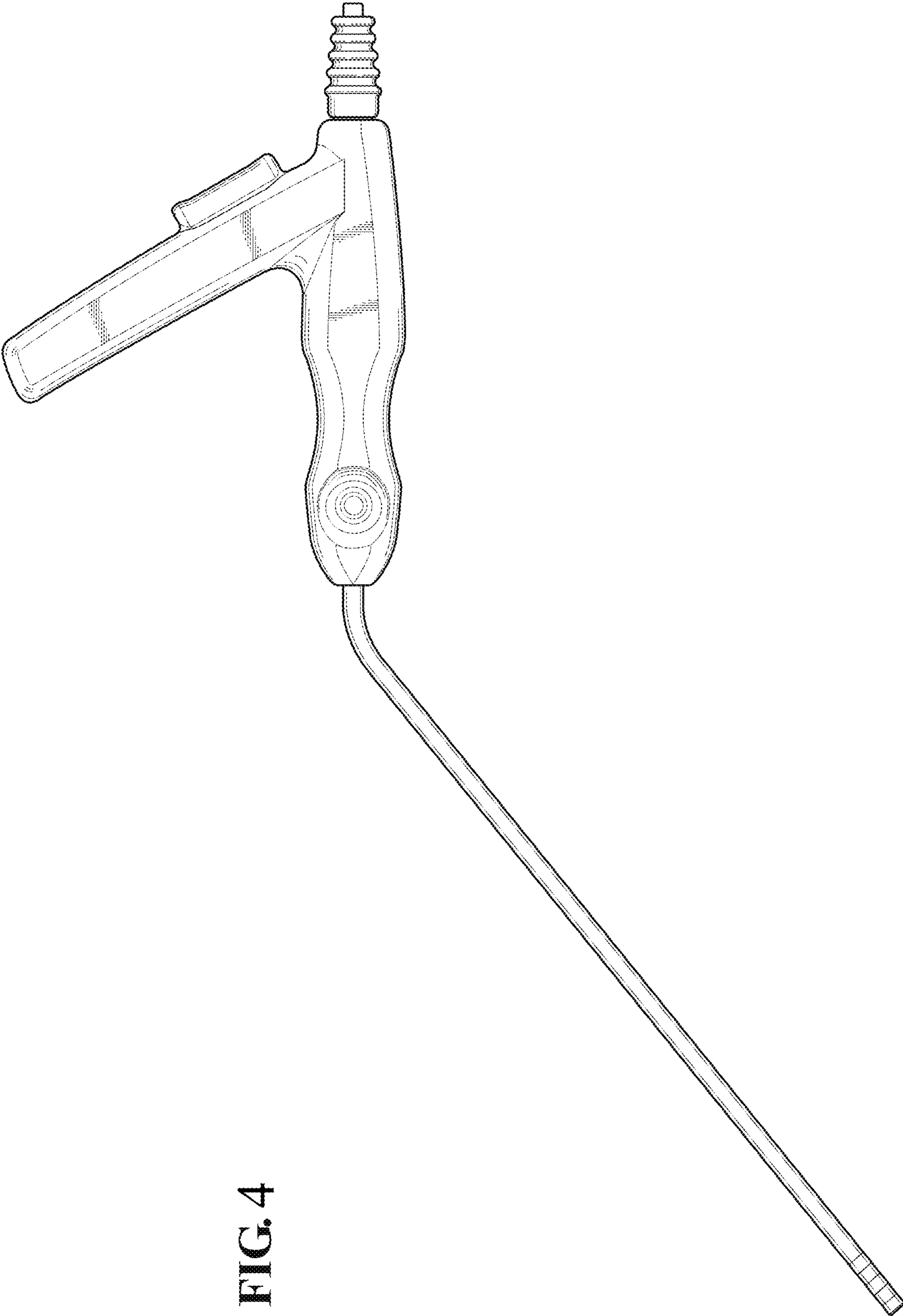


FIG. 4

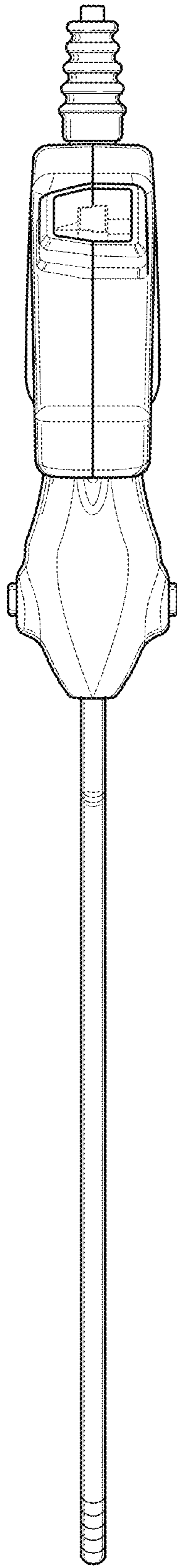


FIG. 5

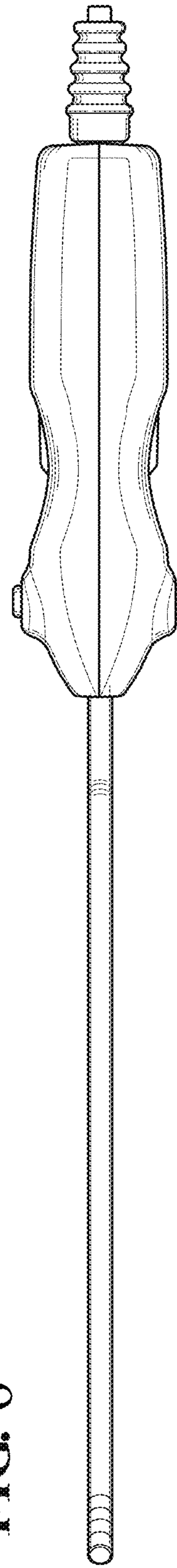


FIG. 6

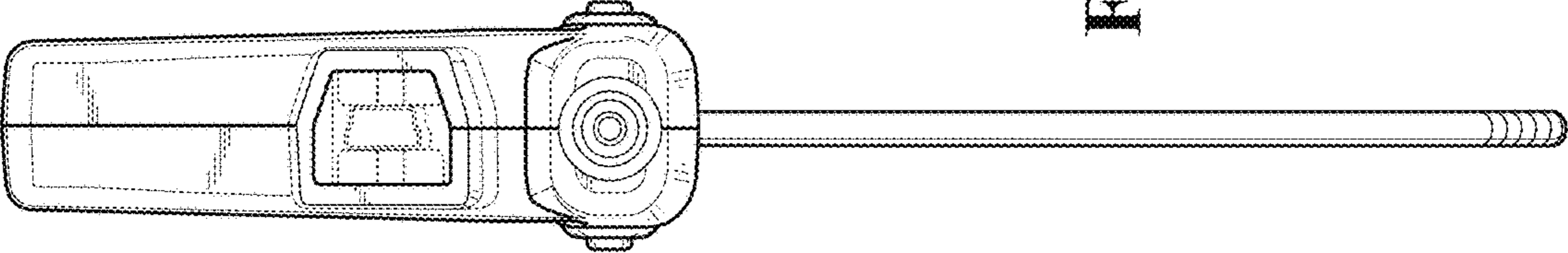


FIG. 8

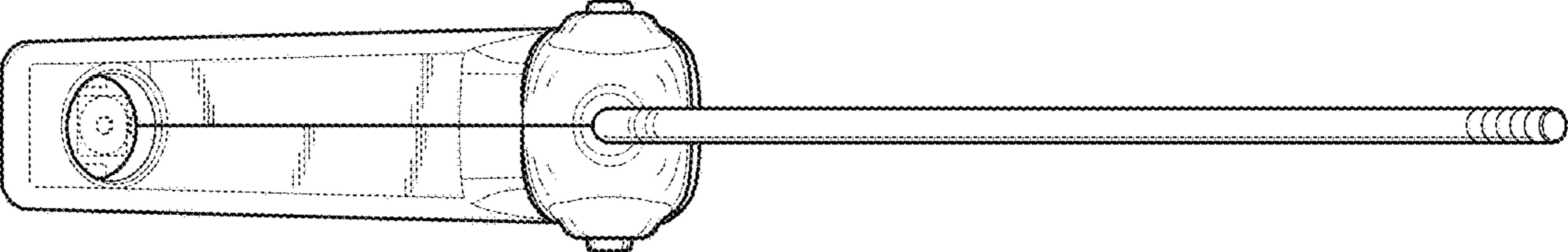


FIG. 7