



US00D777912S

(12) **United States Design Patent** (10) **Patent No.:** **US D777,912 S**  
**Wohlfahrt et al.** (45) **Date of Patent:** **\*\* Jan. 31, 2017**

(54) **AUTOINJECTOR CAP**  
(71) Applicant: **Sanofi-Aventis Deutschland GmbH**,  
Frankfurt (DE)  
(72) Inventors: **Tobias Wohlfahrt**, Munich (DE);  
**Christian Rogge**, Munich (DE)  
(73) Assignee: **Sanofi-Aventis Deutschland GMBH**,  
Frankfurt am Main (DE)  
(\*\*) Term: **14 Years**

D627,061 S 11/2010 Van der Stappen  
D629,895 S \* 12/2010 Demleitner ..... D24/133  
D665,497 S \* 8/2012 Marshall ..... D24/130  
8,298,194 B2 10/2012 Moller  
D676,552 S \* 2/2013 McLoughlin ..... D24/130  
D683,016 S 5/2013 Mirza  
D687,543 S 8/2013 Pala  
D688,796 S \* 8/2013 Niunoya ..... D24/127  
D696,773 S 12/2013 Schneider  
D696,774 S 12/2013 Guarraia  
D696,775 S 12/2013 Guarraia  
D697,205 S 1/2014 Schneider  
8,740,860 B2 6/2014 Theucher

(Continued)

(21) Appl. No.: **29/520,163**

(22) Filed: **Mar. 11, 2015**

(30) **Foreign Application Priority Data**

Jan. 7, 2015 (EM) ..... 002609784-0003  
Jan. 7, 2015 (EM) ..... 002609784-0006

(51) **LOC (10) Cl.** ..... **24-02**

(52) **U.S. Cl.**  
USPC ..... **D24/130**

(58) **Field of Classification Search**  
USPC D24/127-131, 112-114, 133, 186; 606/181,  
606/185; 604/264, 523-528, 272, 187,  
604/158, 164.01-164.11, 181, 184, 227;  
600/101, 139, 143; 128/200.24, 207.14,  
128/207.15  
CPC ..... A61M 5/178; A61M 3/00; A61M 5/20;  
A61M 5/31; A61M 5/3146; A61M  
5/3129; A61M 5/3148; A61M 5/315  
See application file for complete search history.

(56) **References Cited**

**U.S. PATENT DOCUMENTS**

D484,977 S 1/2004 Ryan  
D568,468 S \* 5/2008 Sudo ..... D24/130  
D581,046 S \* 11/2008 Sudo ..... D24/130  
D616,089 S \* 5/2010 Van der Stappen ..... D24/113  
D623,738 S \* 9/2010 Van der Stappen ..... D24/130

**OTHER PUBLICATIONS**

Examination Report in NZ Application No. 420861, dated Nov. 10,  
2015, 2 pages.

(Continued)

*Primary Examiner* — David Muller  
(74) *Attorney, Agent, or Firm* — Fish & Richardson P.C.

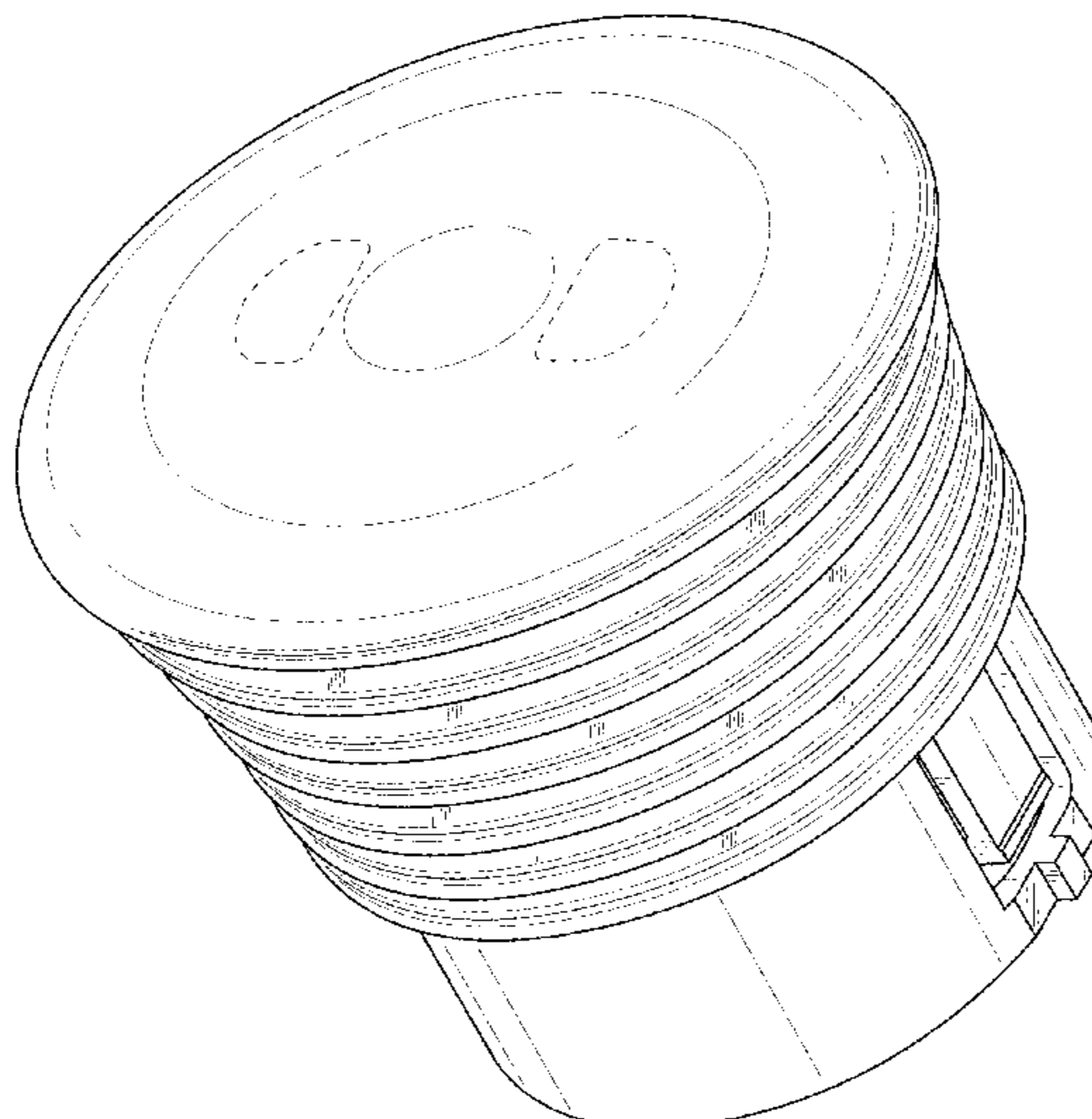
(57) **CLAIM**

The ornamental design for an autoinjector cap, as shown and  
described.

**DESCRIPTION**

FIG. 1 is a front top right perspective view of an autoinjector  
cap showing our new design;  
FIG. 2 is a front bottom right perspective view thereof;  
FIG. 3 is a front elevation view thereof, the rear elevation  
view being identical thereto;  
FIG. 4 is a left side view thereof, the right side view being  
identical thereto;  
FIG. 5 is a top plan view thereof; and,  
FIG. 6 is a bottom plan view thereof.  
The broken lines of even length shown in the drawings  
illustrate portions of the autoinjector cap that forms no part  
of the claimed design.

**1 Claim, 6 Drawing Sheets**



(56)

**References Cited**

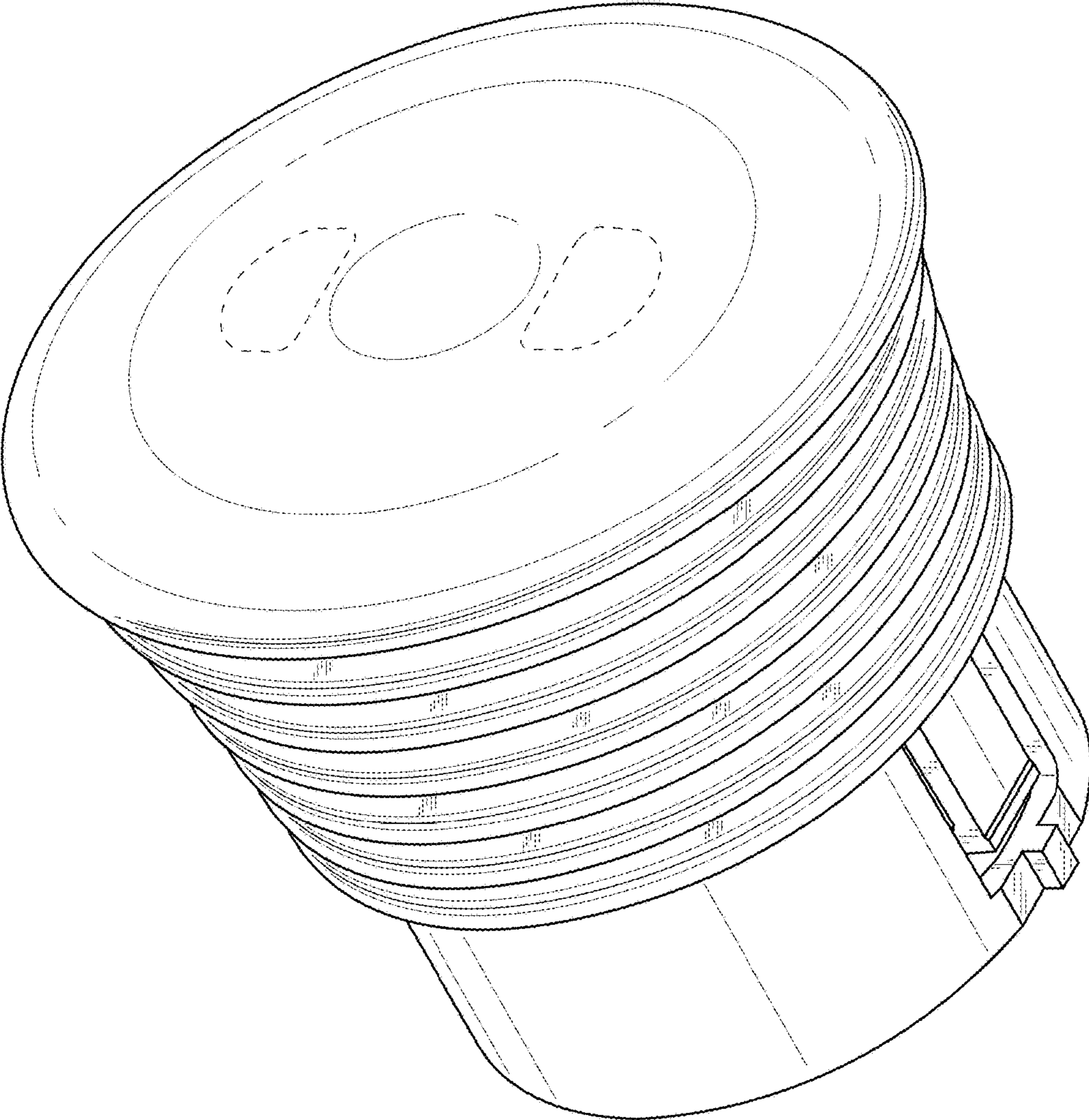
U.S. PATENT DOCUMENTS

D708,317 S	7/2014	Schneider	
D714,932 S	10/2014	Hall	
D728,782 S	5/2015	Dubuc	
D732,161 S	6/2015	Ohashi	
D732,661 S	6/2015	Dubuc	
D733,869 S *	7/2015	Ratjen .....	D24/113
D737,430 S *	8/2015	Wargner .....	D24/112
D739,011 S	9/2015	Morrison, Jr.	
D739,932 S *	9/2015	Ratjen .....	D24/113
D743,539 S	11/2015	Chung	
D745,664 S	12/2015	Pocock	
D750,779 S *	3/2016	Ahluwalia .....	D24/133
D751,192 S *	3/2016	She .....	D24/127

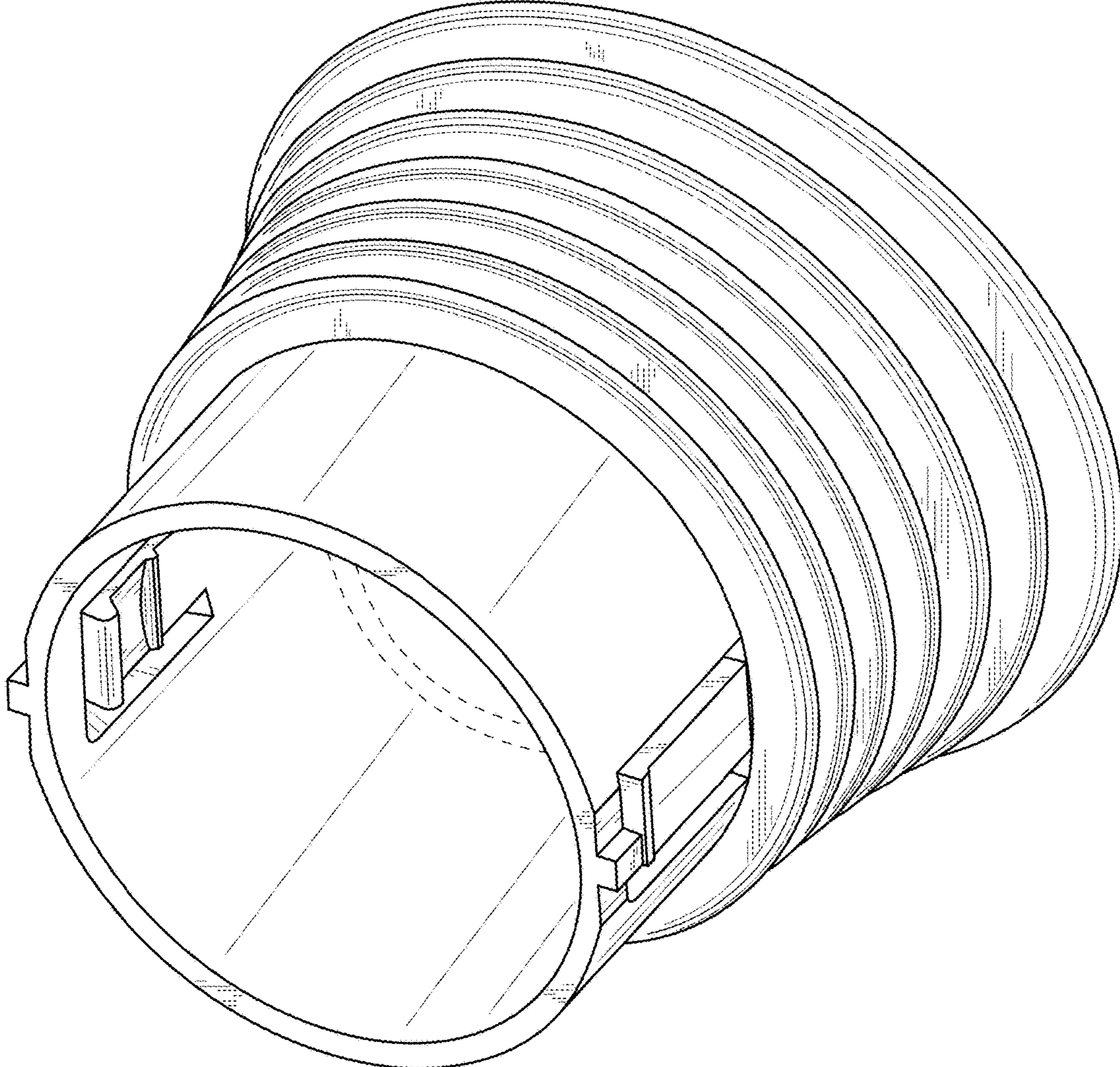
OTHER PUBLICATIONS

Screenshots relating to “Auto Injector citations by SHL Group,”  
publically visible from Dec. 30, 2014, 4 pages.

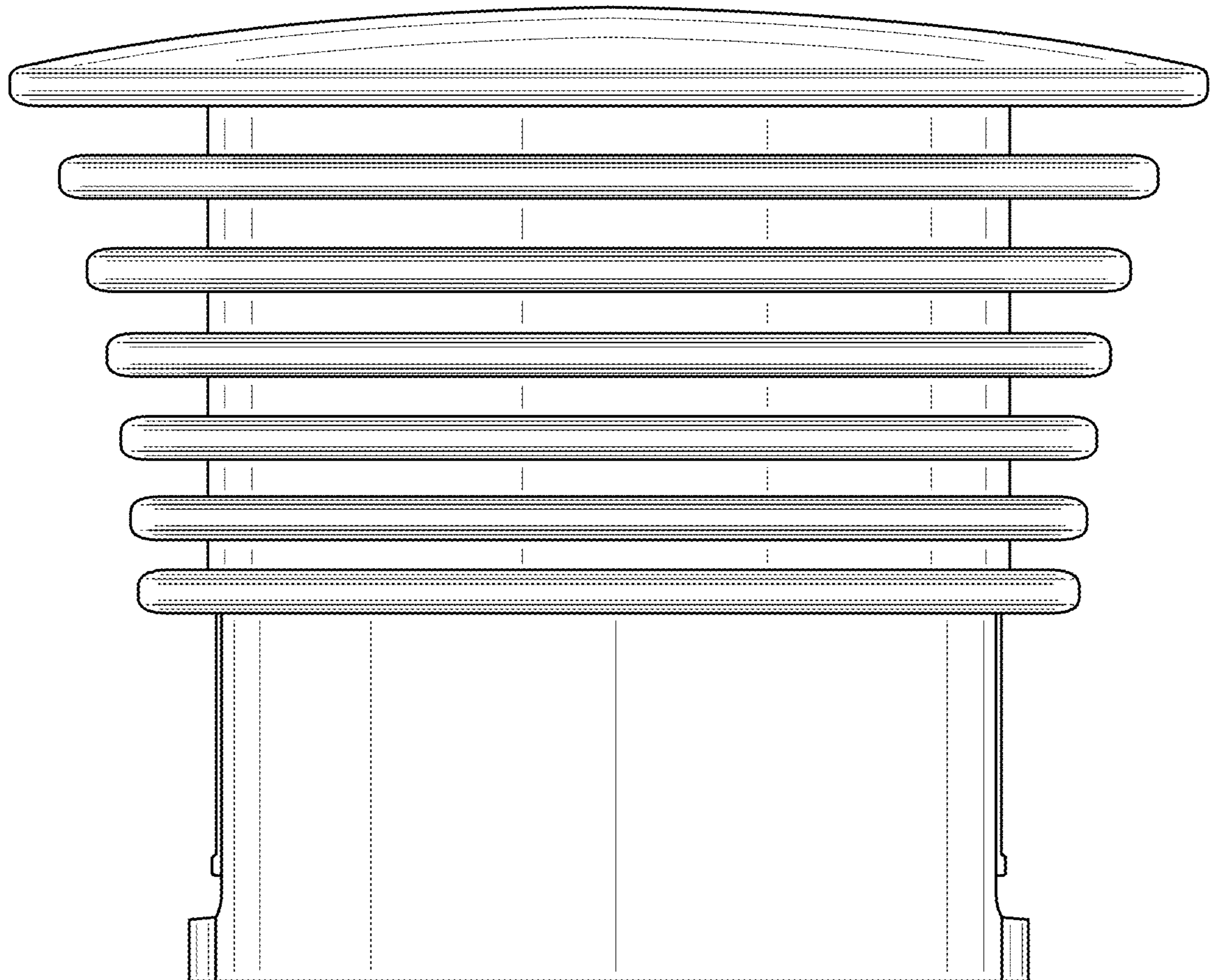
\* cited by examiner



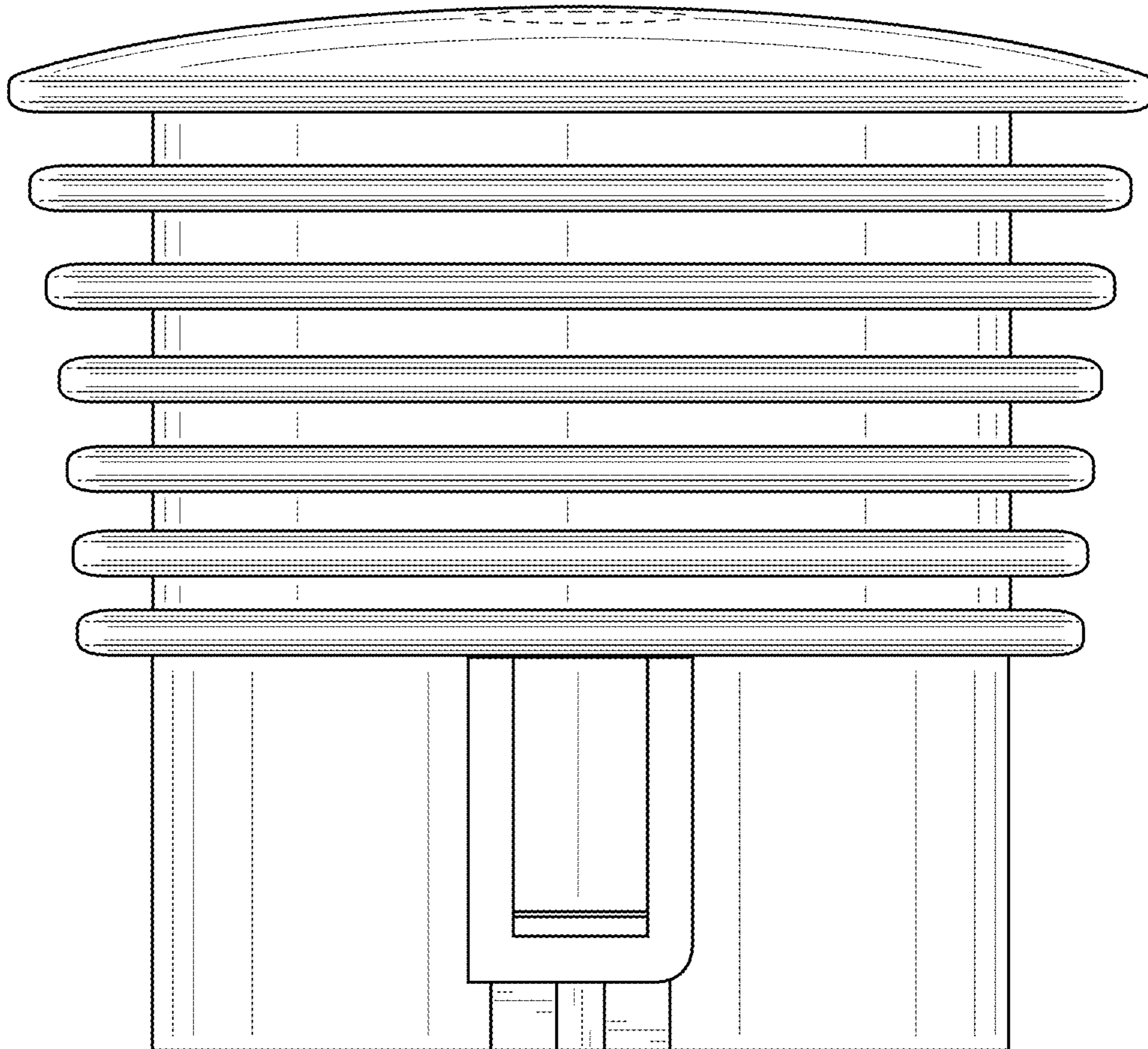
**FIG. 1**



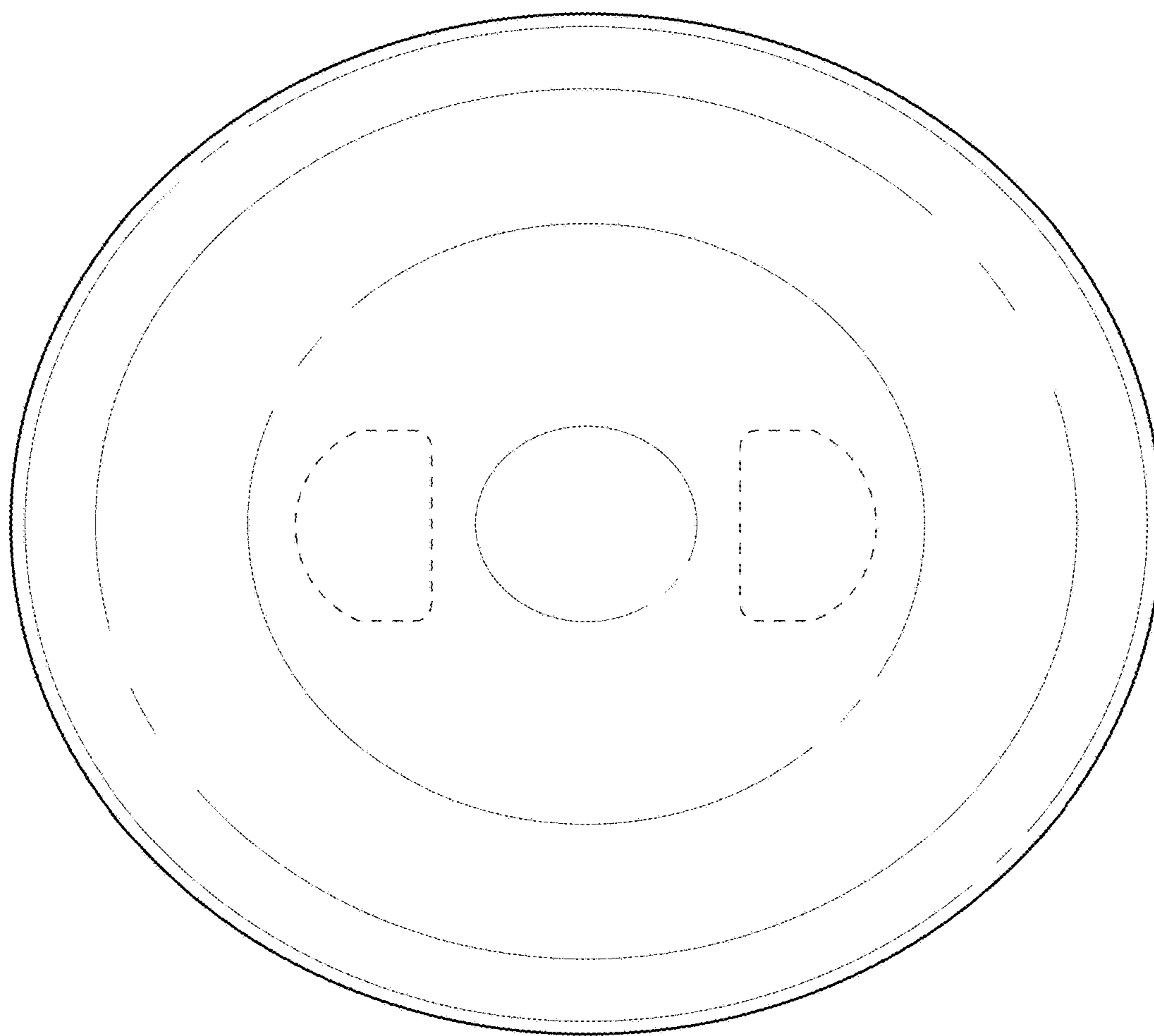
**FIG. 2**



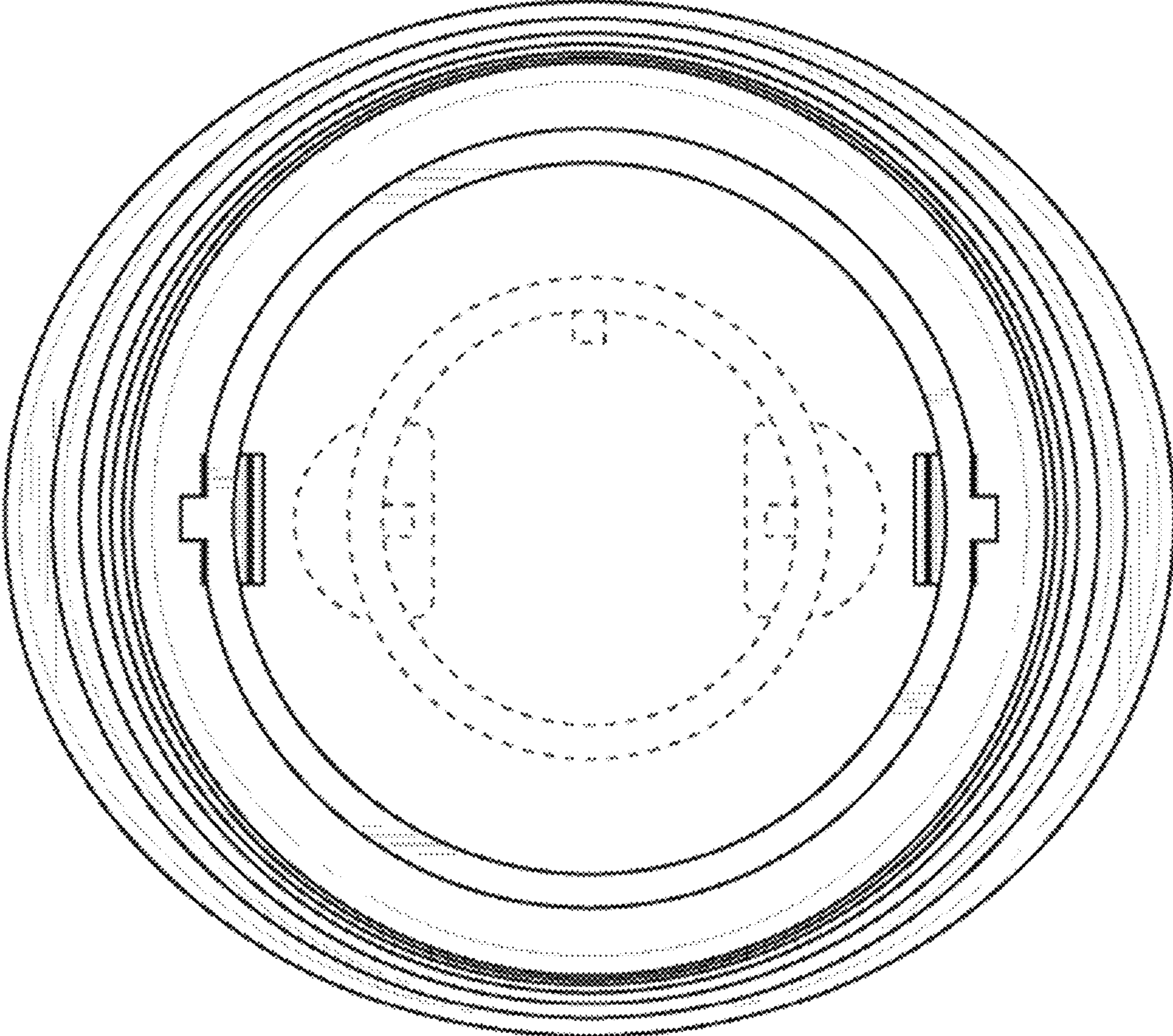
**FIG. 3**



**FIG. 4**



**FIG. 5**



**FIG. 6**