



US00D777909S

(12) **United States Design Patent** (10) **Patent No.:** **US D777,909 S**
Dombrowski et al. (45) **Date of Patent:** **** Jan. 31, 2017**

- (54) **LIQUID APPLICATOR BODY**
- (71) Applicant: **3M INNOVATIVE PROPERTIES COMPANY**, St. Paul, MN (US)
- (72) Inventors: **Alan R. Dombrowski**, Woodbury, MN (US); **Stephane Levesque**, Quebec (CA); **Jeffrey L. Price**, Windermere, FL (US)
- (73) Assignee: **3M Innovative Properties Company**, St. Paul, MN (US)
- (**) Term: **15 Years**
- (21) Appl. No.: **29/532,783**
- (22) Filed: **Jul. 10, 2015**
- (51) **LOC (10) Cl.** **24-02**
- (52) **U.S. Cl.**
USPC **D24/119**
- (58) **Field of Classification Search**
USPC D24/114, 119, 127, 128, 130, 133, 147, D24/184; 128/919; 604/2, 192, 195, 197, 263
See application file for complete search history.

- D351,229 S * 10/1994 Wirt D24/119
- D358,466 S 5/1995 Harris
- D362,304 S 9/1995 Wilson
- 5,658,084 A 8/1997 Wirt
- 5,908,124 A 6/1999 Klauke
- D422,748 S * 4/2000 Lang D19/117
- D425,617 S 5/2000 Snedden
- 6,068,148 A 5/2000 Weiler

(Continued)

FOREIGN PATENT DOCUMENTS

CA 2796699 5/2014

Primary Examiner — Garth Rademaker

Assistant Examiner — Samantha Q Lawrence

(57) **CLAIM**

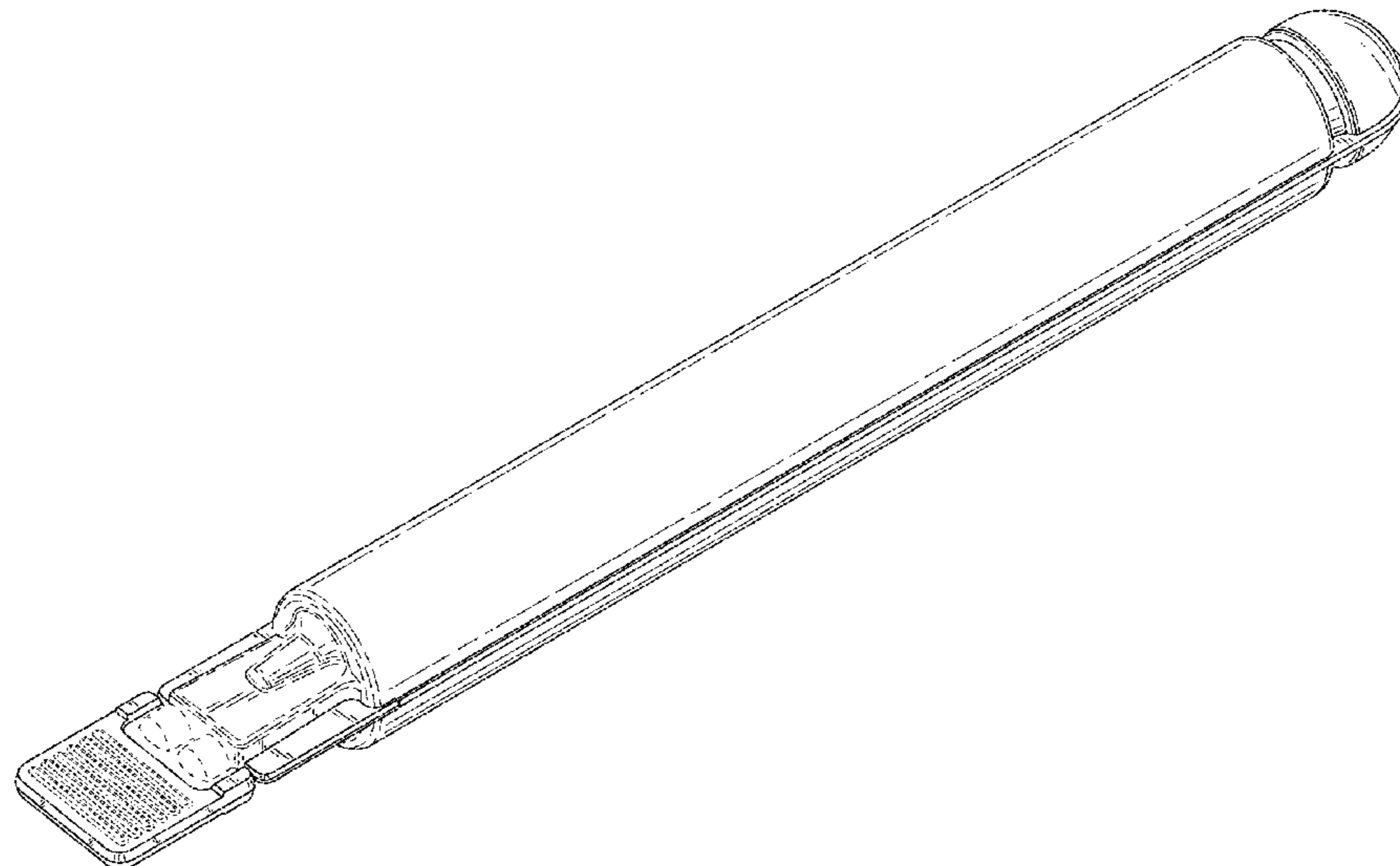
The ornamental design for a liquid applicator body, as shown and described.

DESCRIPTION

FIG. 1 is a front perspective view of a liquid applicator body, showing the new design;
 FIG. 2 is a rear perspective view thereof;
 FIG. 3 is a top plan view thereof, the bottom plan view being a mirror image of the top plan view;
 FIG. 4 is a left side elevational view thereof, the right side elevational view being a mirror image of the left side elevational view;
 FIG. 5 is a front elevational view thereof;
 FIG. 6 is a rear elevational view thereof; and,
 FIG. 7 is a front perspective view thereof showing the liquid applicator body with an absorbent member, the absorbent member shown in broken lines.
 The broken lines showing an absorbent member in FIG. 7 illustrate environment which forms no part of the claimed design. Other brokenlines shown in the drawing figures illustrate portions of the liquid applicator body that form no part of the claimed design.

1 Claim, 4 Drawing Sheets

- (56) **References Cited**
U.S. PATENT DOCUMENTS
- 3,356,244 A 12/1967 Wittchell
- 3,847,151 A 11/1974 D'Alessandro
- 3,917,120 A 11/1975 Larenz
- D245,221 S 8/1977 Hoyt
- 4,248,227 A 2/1981 Thomas
- D289,200 S 4/1987 Newell
- 4,671,763 A 6/1987 Weiler
- 4,979,630 A 12/1990 Rose
- 4,995,519 A 2/1991 Rose
- 5,229,061 A 7/1993 Van Dyke
- D347,277 S 5/1994 Snedden
- 5,326,603 A 7/1994 Van Dyke



(56)

References Cited

U.S. PATENT DOCUMENTS

6,516,947 B1	2/2003	Van Dyke		8,186,897 B2	5/2012	Kaufman	
6,536,975 B1	3/2003	Tufts		8,215,859 B2	7/2012	Kaufman	
6,846,459 B2	1/2005	Snedden		8,377,029 B2	2/2013	Nagao	
6,869,242 B2	3/2005	May		8,556,529 B2 *	10/2013	Law	A61M 35/006 401/132
7,028,862 B2	4/2006	Poynter		D696,770 S *	12/2013	Schneider	D24/113
D532,295 S	11/2006	Stull		8,783,451 B2 *	7/2014	Slokovic	A45D 34/04 206/15.2
7,182,536 B2	2/2007	Tufts		D710,993 S *	8/2014	DeCoste, Jr.	D24/115
7,188,750 B2	3/2007	Vogel		8,840,837 B2 *	9/2014	Smith	C12Q 1/22 422/400
D551,760 S	9/2007	Zahn		D718,131 S *	11/2014	Brown	D9/447
D565,193 S	3/2008	Price		8,882,736 B2 *	11/2014	Oliver	A61J 1/067 604/403
D580,052 S *	11/2008	White	D24/133	2006/0108385 A1	5/2006	Zahn	
7,540,389 B2	6/2009	Fontana		2011/0031157 A1	2/2011	Nakano	
7,614,811 B2	11/2009	Kaufman		2011/0142527 A1	6/2011	Kaufman	
D617,904 S *	6/2010	Lai	D24/146	2011/0248045 A1	10/2011	Harris	
7,757,852 B2	7/2010	Fontana		2011/0315720 A1	12/2011	Marshall	
7,866,514 B1	1/2011	Hansen		2012/0051829 A1	3/2012	Margoosian	
7,866,907 B2 *	1/2011	Cable, Jr.	A61M 35/003 401/132	2012/0230753 A1	9/2012	Kaufman	
7,946,779 B2	5/2011	Kaufman		2013/0015204 A1	1/2013	Gol	
7,976,234 B2	7/2011	May		2014/0126949 A1	5/2014	Kaufman	
8,083,425 B2	12/2011	Kaufman		2014/0371694 A1	12/2014	Chiang	
8,105,306 B2	1/2012	Davis					

* cited by examiner

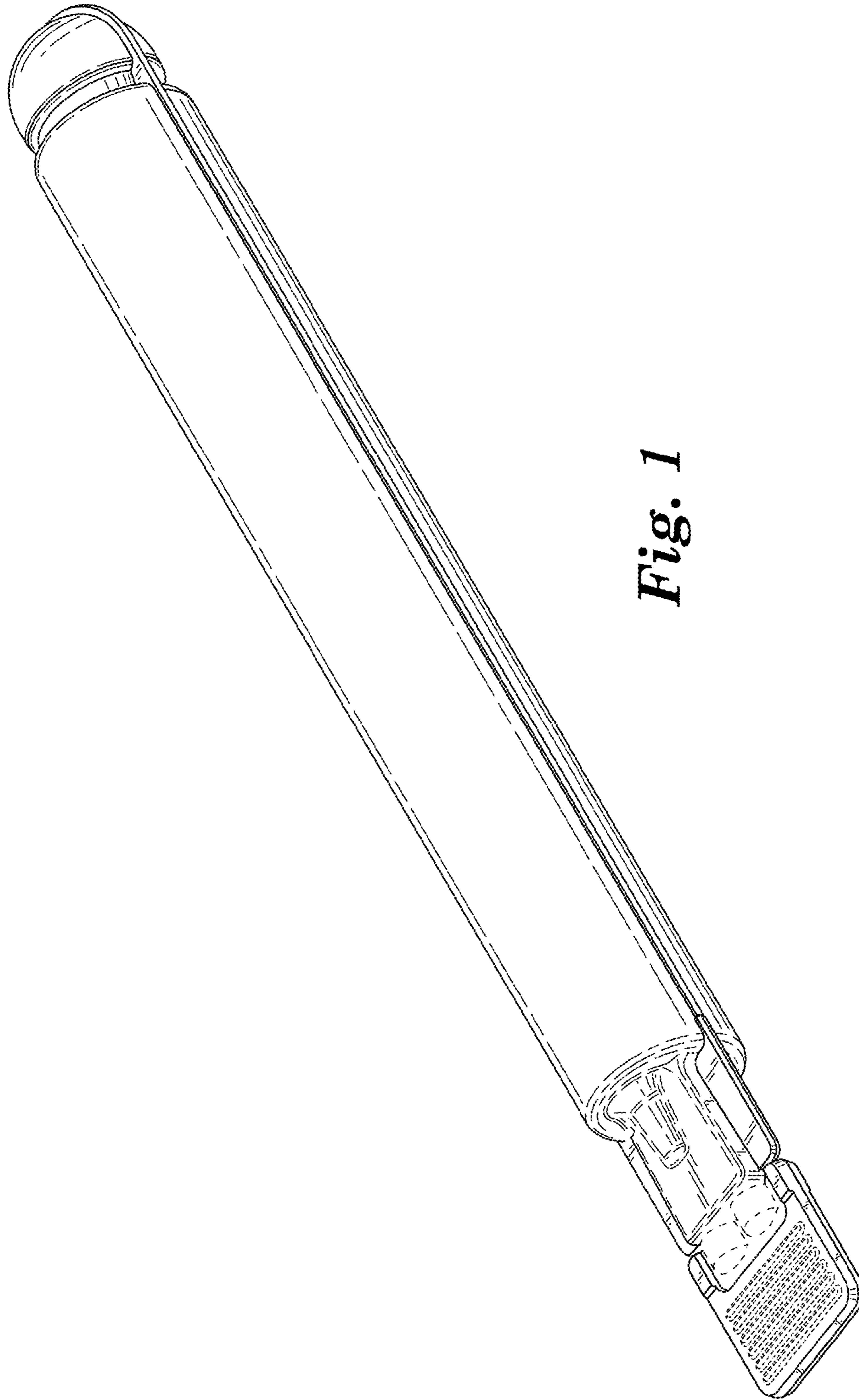


Fig. 1

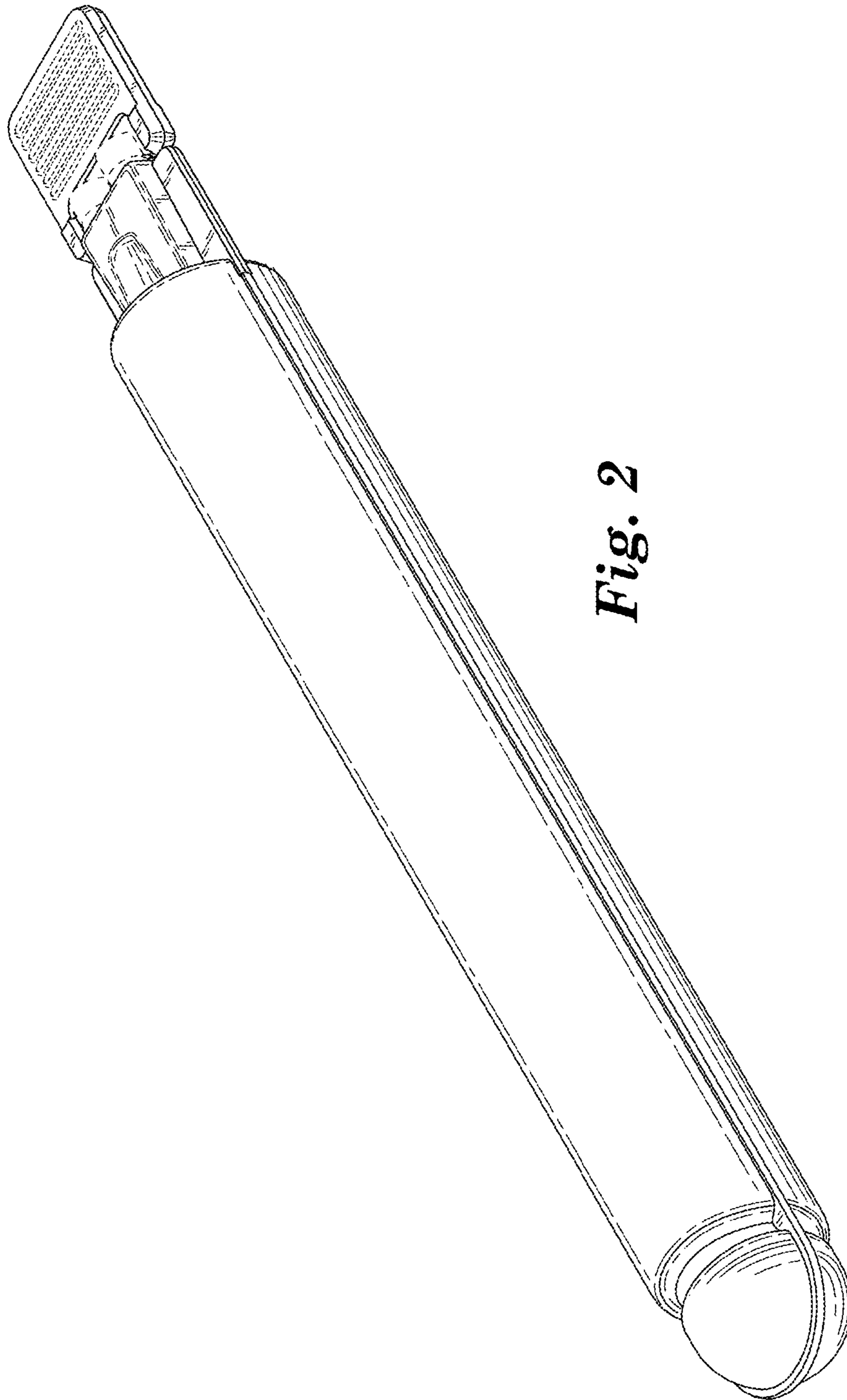


Fig. 2

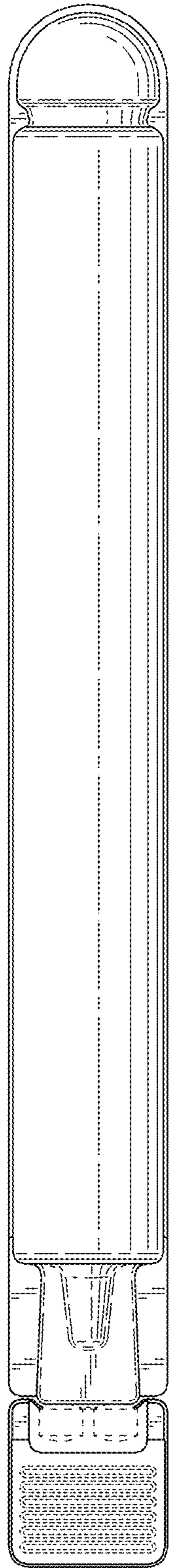


Fig. 3

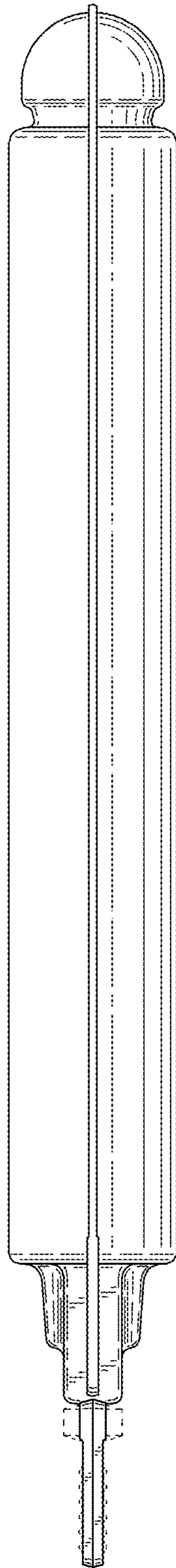


Fig. 4

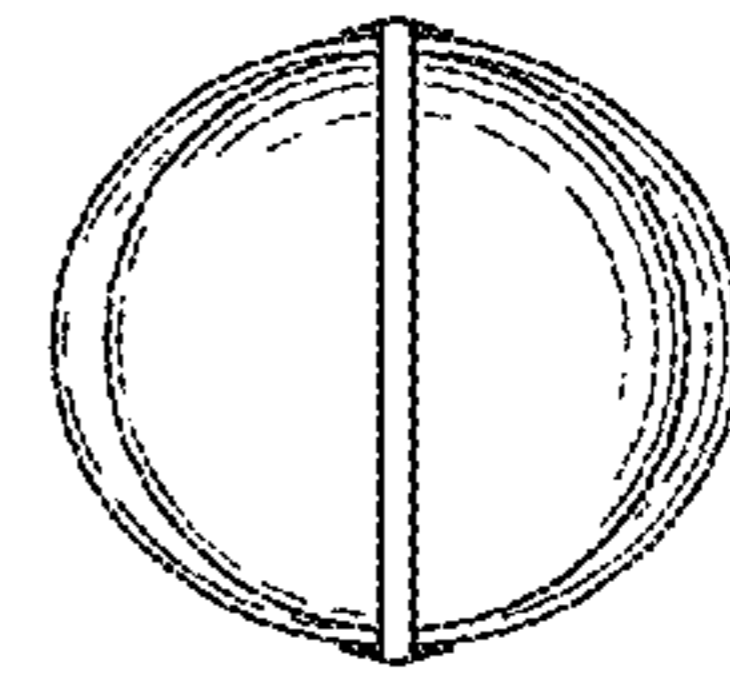


Fig. 6

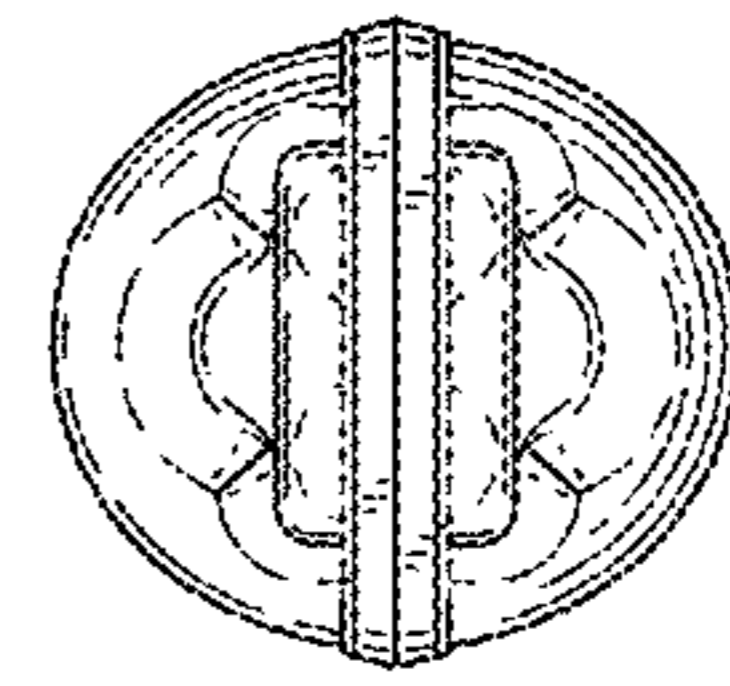


Fig. 5

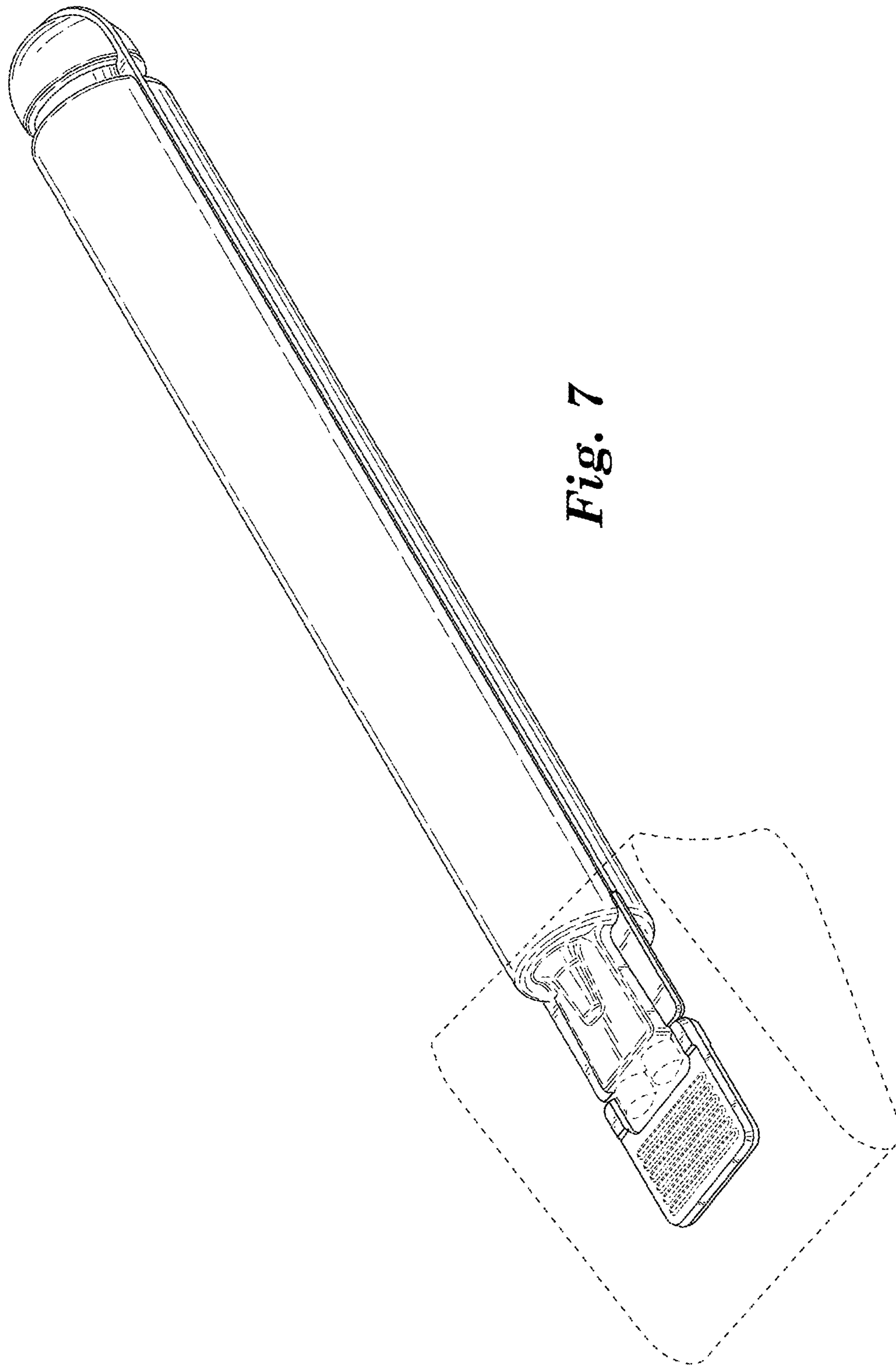


Fig. 7