



US00D777908S

(12) **United States Design Patent** (10) **Patent No.:** **US D777,908 S**
Amend Kwasnik et al. (45) **Date of Patent:** **** Jan. 31, 2017**

(54) **MEDICAL INJECTOR PEN**
(71) Applicant: **Merck Sharp & Dohme Corp.**,
Rahway, NJ (US)
(72) Inventors: **Angela M. Amend Kwasnik**,
Metuchen, NJ (US); **Benjamin R. Bartfeld**,
West Orange, NJ (US); **Peter Basile**,
Bloomsbury, NJ (US); **Jeffrey C. Givand**,
North Wales, PA (US); **Philip G. Green**,
Weehawken, NJ (US); **Sharad Gupta**,
Madison, NJ (US); **Christin L. O'Neill**,
Philadelphia, PA (US); **Steven Carl Persak**,
Lebanon, NJ (US); **Robert Stianchi**,
Hillsborough, NJ (US); **Ari Tao Adler**,
Cambridge, MA (US); **Florian Altmann**,
München (DE); **Thomas Junk**,
München (DE); **Florian Kössler**,
München (DE); **Martin Meier**,
München (DE); **Scott R. Mackie**,
New Haven, CT (US); **Pernilla Danielsson**,
Stockholm (SE)
(73) Assignee: **Merck Sharp & Dohme Corp.**,
Rahway, NJ (US)

(**) Term: **14 Years**
(21) Appl. No.: **29/500,651**
(22) Filed: **Aug. 27, 2014**
(51) **LOC (10) Cl.** **24-02**
(52) **U.S. Cl.**
USPC **D24/113**
(58) **Field of Classification Search**
USPC D24/112-114, 127-131, 133, 186;
606/181, 185; 604/264, 272, 115, 232,
604/187, 158, 164.08, 192, 263, 163, 181,
604/184, 198, 227; 600/101, 139, 143;
128/200.24, 207.14, 207.15;
D19/115-123, 177

CPC A61M 5/3156; A61M 5/31591; A61M
5/3155; A61M 5/3157; A61M
5/24; A61M 5/31501; A61M
5/31551; A61M 5/31585; A61M
2005/2407; A61M 2005/2492; A61M
2205/581; A61M 2205/582
See application file for complete search history.

(56) **References Cited**
U.S. PATENT DOCUMENTS

1,686,055 A	10/1928	Whiteside
D147,579 S	9/1947	Campbell
D279,504 S	7/1985	Tump
D298,653 S	11/1988	Maietta
D320,084 S	9/1991	Stewart et al.
D369,384 S	4/1996	Yasoshima
D479,600 S	9/2003	Bainton
D479,748 S	9/2003	Tyce
D490,150 S	5/2004	Hawley et al.
D491,263 S	6/2004	Hawley et al.
D492,027 S	6/2004	Tyce et al.
D492,405 S	6/2004	Bainton

(Continued)

Primary Examiner — David Muller
Assistant Examiner — Nathan Johnston
(74) *Attorney, Agent, or Firm* — John David Reilly;
Gloria Fuentes

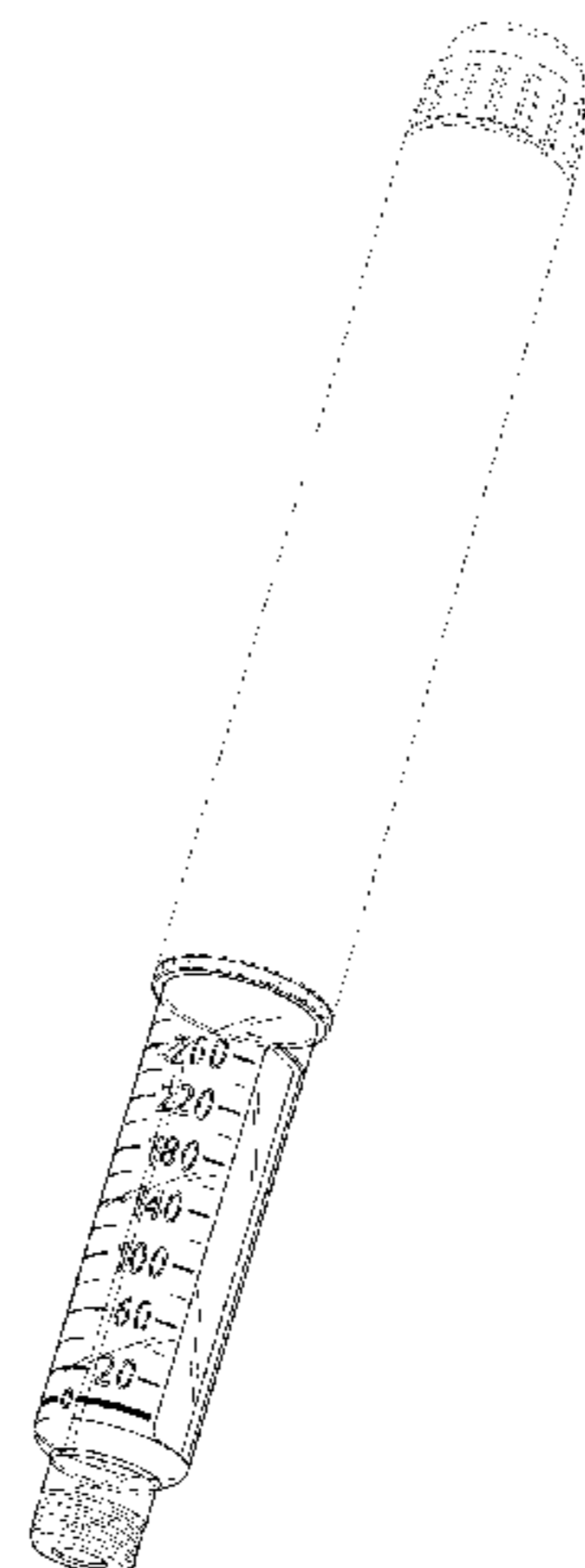
(57) **CLAIM**

The ornamental design for a medical injector pen, as shown and described.

DESCRIPTION

FIG. 1 is a perspective view of the medical injector with the cap removed showing our new design; FIG. 2 is a front elevation view thereof; FIG. 3 is a left side elevation view thereof; FIG. 4 is a right side elevation view thereof; FIG. 5 is a rear elevation view thereof; FIG. 6 is a top plan view thereof; and, FIG. 7 is a bottom plan view thereof.

(Continued)



The dashed lines in the figures illustrate the portions of the design that form no part of the claimed design.

1 Claim, 6 Drawing Sheets

(56)

References Cited

U.S. PATENT DOCUMENTS

D499,485 S	12/2004	Tyce	
D501,253 S	1/2005	Bainton	
D503,797 S *	4/2005	Tyce	D24/114
D505,490 S	5/2005	Tyce	
D506,221 S	6/2005	Huang	
D540,465 S	4/2007	Bainton	
D542,914 S	5/2007	Tanghoj	
D542,978 S	5/2007	Bortolotti	
D567,852 S	4/2008	Qiu et al.	
D568,988 S	5/2008	Galbraith	
D598,539 S	8/2009	Tyce	
D599,008 S	8/2009	Tyce	
D599,009 S	8/2009	Tyce	
D599,010 S	8/2009	Tyce	
D599,011 S	8/2009	Tyce	
D600,794 S	9/2009	Tyce	
D600,795 S	9/2009	Tyce	
D606,650 S	12/2009	Tyce	
D608,442 S	1/2010	Tyce	
D610,252 S	2/2010	Tyce	
D610,676 S	2/2010	Tyce	

D610,677 S	2/2010	Tyce	
D612,486 S	3/2010	Van der Stappen	
7,674,246 B2	3/2010	Gillespie et al.	
D619,244 S	7/2010	Van der Stappen	
D622,374 S	8/2010	Julian et al.	
D626,216 S	10/2010	Tyce	
D627,061 S	11/2010	Van der Stappen	
D629,509 S	12/2010	Julian et al.	
D652,136 S *	1/2012	Hawley	D24/113
D688,792 S	8/2013	Guarraia et al.	
D696,774 S	12/2013	Guarraia et al.	
D696,775 S	12/2013	Guarraia et al.	
D703,809 S *	4/2014	Sanders	D24/113
D722,158 S *	2/2015	Magome	D24/113
9,005,171 B2 *	4/2015	Jones	A61M 5/24 604/189
9,089,651 B2 *	7/2015	Butler	A61M 5/31525
9,095,658 B2 *	8/2015	Wieselblad	A61M 5/31551
2004/0054327 A1	3/2004	Gillespie	
2012/0302965 A1 *	11/2012	Cronenberg	A61M 5/3202 604/198
2013/0041321 A1 *	2/2013	Cross	A61M 5/2448 604/189
2013/0245563 A1 *	9/2013	Mercer	A61M 5/3294 604/191
2014/0039403 A1 *	2/2014	Mercer	A61M 5/2448 604/191
2014/0058333 A1 *	2/2014	Cross	A61M 5/002 604/198
2015/0057619 A1 *	2/2015	Osman	A61M 5/24 604/189

* cited by examiner

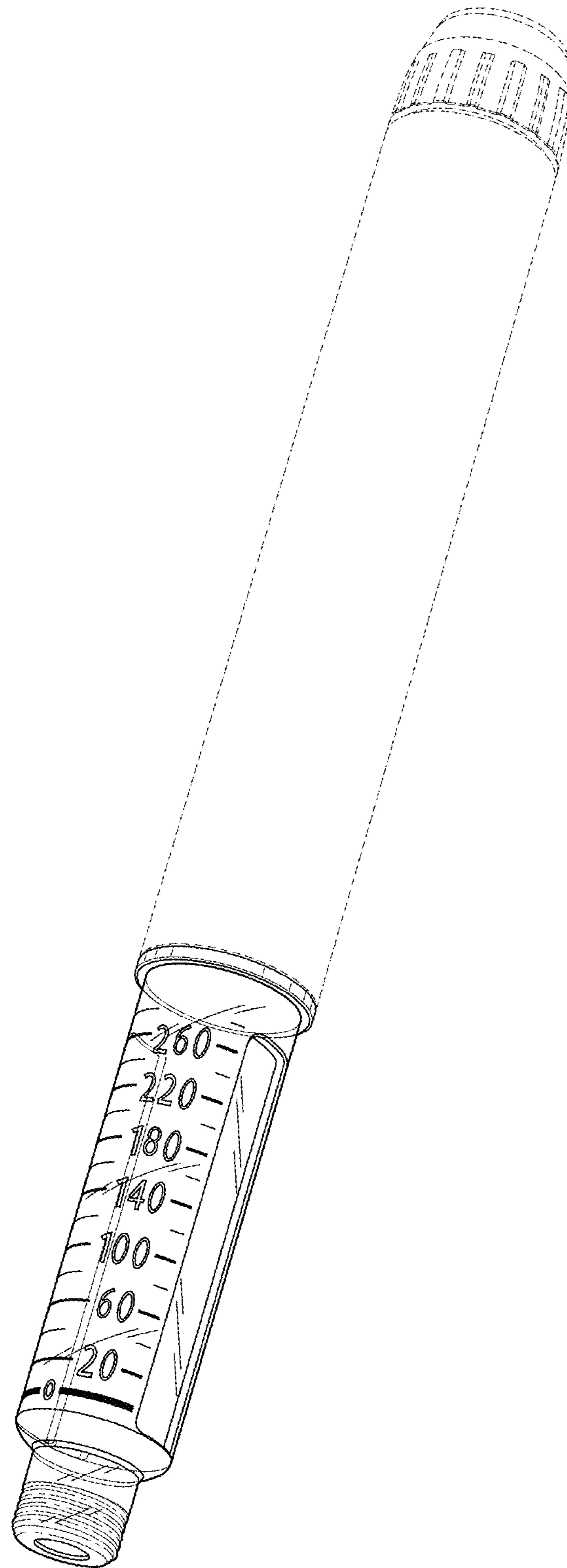


FIG. 1



FIG. 2

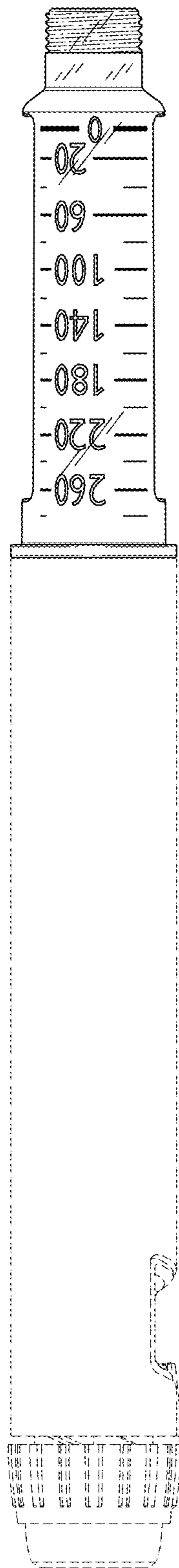


FIG. 3

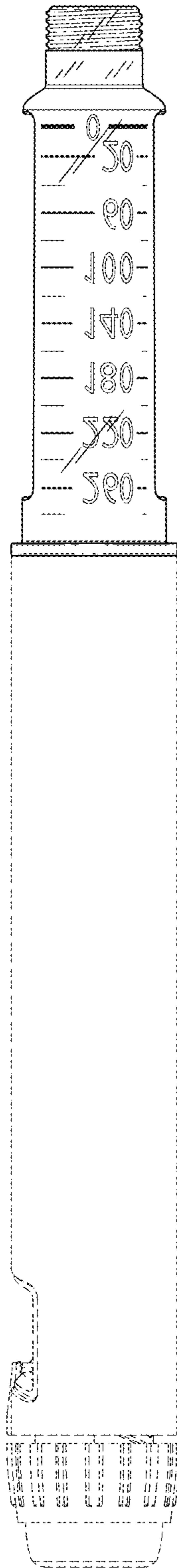


FIG. 4

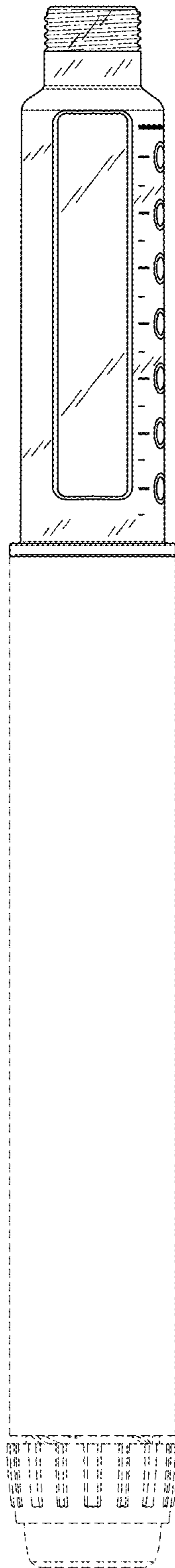


FIG. 5

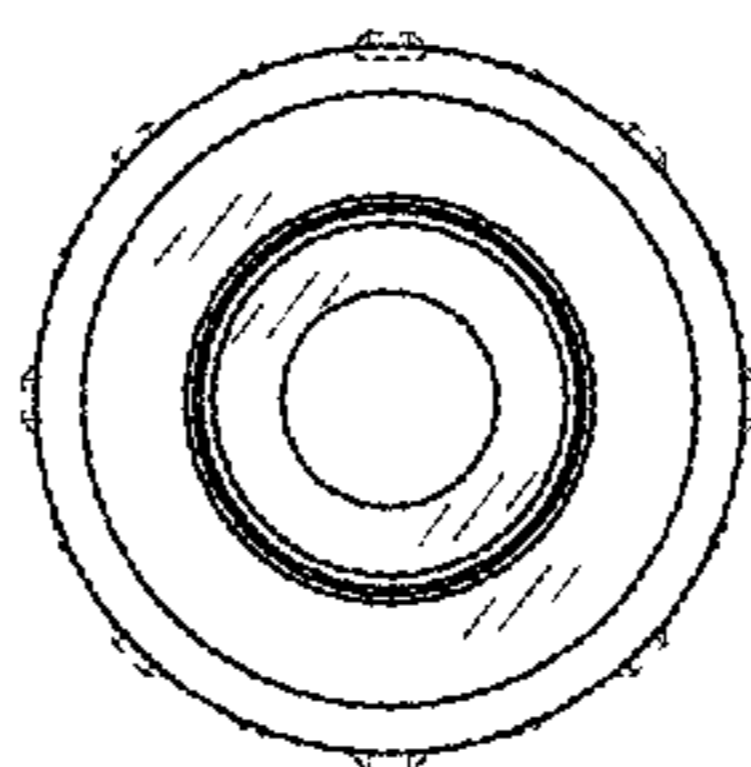


FIG. 6



FIG. 7