



US00D777906S

(12) **United States Design Patent** (10) **Patent No.:** **US D777,906 S**
Anderson et al. (45) **Date of Patent:** **** Jan. 31, 2017**

(54) **DELIVERY DEVICE INCLUDING PUMP AND CASSETTE**

D348,730 S * 7/1994 Walker D24/108
 5,397,222 A 3/1995 Moss et al.
 5,538,399 A 7/1996 Johnson

(Continued)

(71) Applicant: **ABBVIE INC.**, North Chicago, IL (US)

(72) Inventors: **Phil D. Anderson**, Libertyville, IL (US); **Ted Hanagan**, Libertyville, IL (US); **Kevin Novak**, Park Ridge, IL (US); **Scott Smieja**, Oshkosh, WI (US); **Matthew Svacina**, Brillion, WI (US); **Gary Friederichs**, Chilton, WI (US)

FOREIGN PATENT DOCUMENTS

JP 2005-351131 A 12/2005

OTHER PUBLICATIONS

U.S. Appl. No. 29/513,435, filed Dec. 30, 2014.

(Continued)

(73) Assignee: **ABBVIE INC.**, North Chicago, IL (US)

(**) Term: **15 Years**

Primary Examiner — Charles Hanson

(74) *Attorney, Agent, or Firm* — Baker Botts L.L.P.

(21) Appl. No.: **29/566,784**

(57) **CLAIM**

(22) Filed: **Jun. 2, 2016**

The ornamental design for a delivery device including pump and cassette, as shown and described.

Related U.S. Application Data

DESCRIPTION

(63) Continuation of application No. 29/513,438, filed on Dec. 30, 2014, now Pat. No. Des. 766,424.

(51) **LOC (10) Cl.** **24-02**

(52) **U.S. Cl.**
USPC **D24/111**

(58) **Field of Classification Search**
 USPC D24/111
 CPC A61M 5/1413; A61M 5/16854; A61M 5/142;
 A61M 2005/1587; A61M
 2005/14208; A61B 5/4839
 See application file for complete search history.

FIG. 1 is a perspective view of an embodiment of our design for a delivery device including pump and cassette.

FIG. 2 is a front view of the delivery device including pump and cassette FIG. 1.

FIG. 3 is a rear view of the delivery device including pump and cassette of FIG. 1.

FIG. 4 is a left side view of the delivery device including pump and cassette of FIG. 1.

FIG. 5 is a right side view of the delivery device including pump and cassette of FIG. 1.

FIG. 6 is a top view of the delivery device including pump and cassette of FIG. 1; and,

FIG. 7 is a bottom view of the delivery device including pump and cassette of FIG. 1.

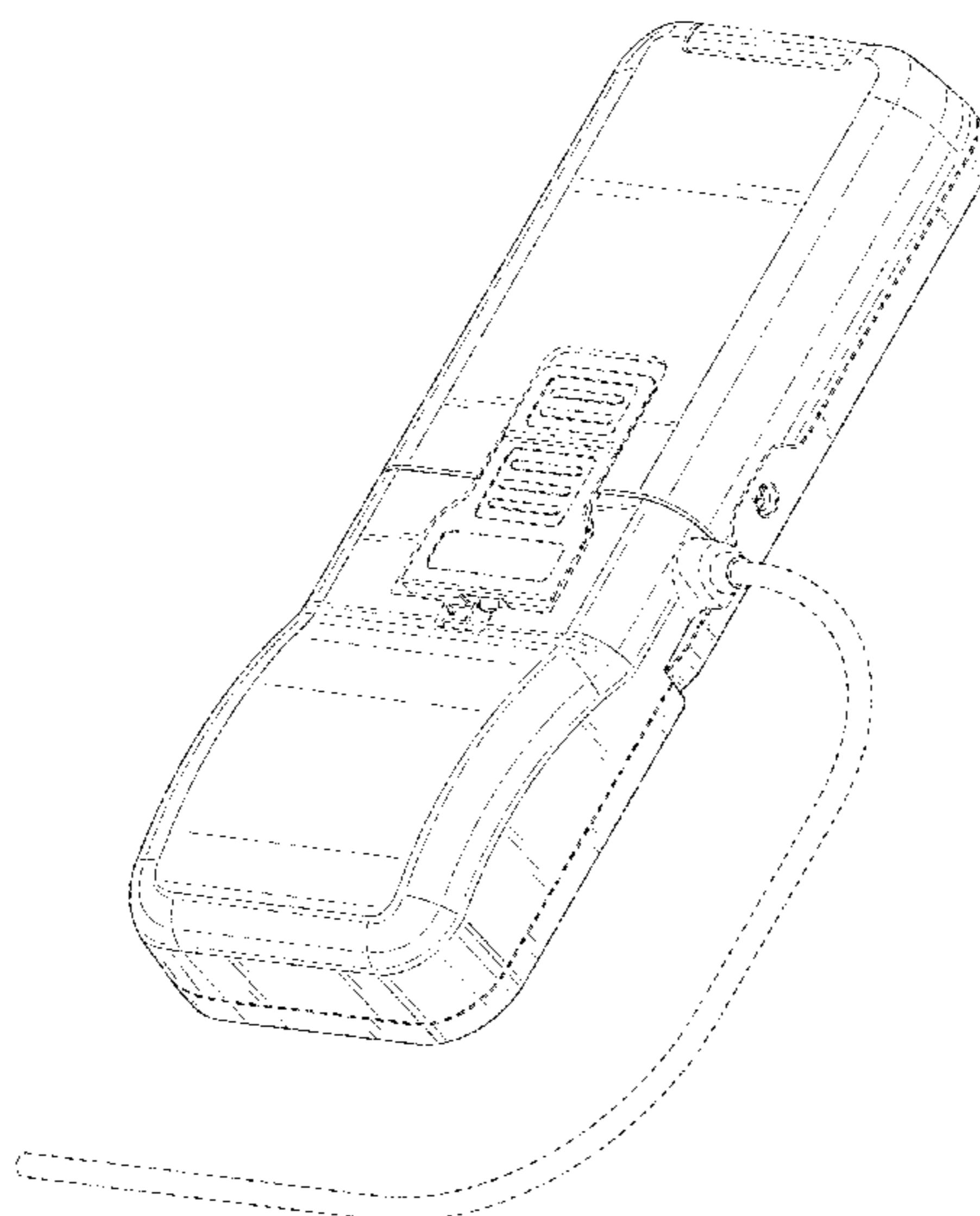
The broken lines throughout these figures depict environmental subject matter only and form no part of the claimed design.

(56) **References Cited**

U.S. PATENT DOCUMENTS

4,537,561 A 8/1985 Xanthopoulos
 5,131,816 A * 7/1992 Brown A61M 5/142
 128/DIG. 12
 5,181,910 A * 1/1993 Scanlon A61M 5/172
 128/DIG. 12

1 Claim, 6 Drawing Sheets



(56)

References Cited

U.S. PATENT DOCUMENTS

D376,796 S 12/1996 Hirasawa
 5,755,691 A 5/1998 Hilborne
 5,928,196 A * 7/1999 Johnson A61M 5/1413
 417/477.2
 5,935,099 A * 8/1999 Peterson A61M 5/172
 604/65
 6,077,055 A * 6/2000 Vilks A61M 5/16854
 417/44.2
 6,243,117 B1 6/2001 Brandon et al.
 6,371,732 B1 * 4/2002 Moubayed A61M 5/14228
 417/44.1
 6,422,057 B1 * 7/2002 Anderson A61M 5/14228
 604/153
 D471,562 S 3/2003 Kagami et al.
 D471,917 S 3/2003 Kagami et al.
 D482,370 S 11/2003 Niwatsukino et al.
 D484,146 S 12/2003 Urano et al.
 6,742,992 B2 * 6/2004 Davis A61M 5/142
 417/45
 D517,091 S 3/2006 Sugiyama et al.
 7,018,361 B2 * 3/2006 Gillespie, Jr. A61M 5/142
 604/151
 D520,023 S 5/2006 Goto et al.
 D520,024 S 5/2006 Chen
 D566,131 S 4/2008 Detering et al.
 D579,569 S 10/2008 Strawn et al.
 D583,856 S 12/2008 Mizuno et al.
 D585,543 S 1/2009 Yodfat et al.
 7,628,770 B2 12/2009 Ethelfeld
 D626,647 S * 11/2010 Amborn D24/111
 7,927,306 B2 4/2011 Cross et al.
 8,114,066 B2 2/2012 Naef et al.
 D655,810 S * 3/2012 Amborn D24/111
 D659,717 S 5/2012 Mattson et al.
 8,298,184 B2 10/2012 DiPerna et al.
 D675,252 S 1/2013 Harvey et al.
 8,377,002 B2 2/2013 Hanson et al.
 D687,140 S 7/2013 Guarraia et al.
 D689,523 S 9/2013 Galbraith et al.
 D697,204 S 1/2014 Maier et al.
 D720,804 S 1/2015 Van Den Broecke
 D725,678 S 3/2015 Sekula et al.

8,974,415 B2 * 3/2015 Robert A61M 5/16804
 604/151

D744,005 S 11/2015 Anderson et al.
 D744,586 S 12/2015 Chung et al.
 D746,871 S 1/2016 Anderson et al.
 2003/0233069 A1 12/2003 Gillespie et al.
 2004/0051368 A1 3/2004 Caputo et al.
 2007/0078377 A1 4/2007 Mason
 2008/0091139 A1 4/2008 Srinivasan et al.
 2008/0255516 A1 10/2008 Yodfat et al.
 2009/0182265 A1 7/2009 Mason
 2010/0049128 A1 2/2010 McKenzie et al.
 2010/0143168 A1 6/2010 Miyazaki et al.
 2011/0202005 A1 8/2011 Yodfat et al.
 2012/0053522 A1 3/2012 Yodfat et al.
 2012/0191059 A1 7/2012 Cummings et al.
 2012/0277667 A1 11/2012 Yodat et al.
 2013/0267899 A1 10/2013 Robert et al.
 2015/0182688 A1 7/2015 Dhami
 2015/0182689 A1 7/2015 Dhami
 2016/0184507 A1 6/2016 Anderson et al.

OTHER PUBLICATIONS

U.S. Appl. No. 29/513,437, filed Dec. 30, 2014.
 U.S. Appl. No. 29/513,438, filed Dec. 30, 2014.
 U.S. Appl. No. 29/550,455, filed Jan. 4, 2016.
 U.S. Appl. No. 29/513,434, Jul. 20, 2015 Notice of Allowance.
 U.S. Appl. No. 29/513,434, Oct. 20, 2015 Issue Fee Payment.
 U.S. Appl. No. 29/513,435, Aug. 18, 2016 Response to Non-Final Office Action.
 U.S. Appl. No. 29/513,435, May 19, 2016 Non-Final Office Action.
 U.S. Appl. No. 29/513,436, Aug. 24, 2015 Notice of Allowance.
 U.S. Appl. No. 29/513,436, Nov. 24, 2015 Issue Fee Payment.
 U.S. Appl. No. 29/513,437, Sep. 9, 2016 Notice of Allowance.
 U.S. Appl. No. 29/513,437, Aug. 18, 2016 Response to Non-Final Office Action.
 U.S. Appl. No. 29/513,437, May 20, 2016 Non-Final Office Action.
 U.S. Appl. No. 29/513,438, Jun. 28, 2016 Notice of Allowance.
 U.S. Appl. No. 29/513,438, May 26, 2016 Notice of Allowance.
 U.S. Appl. No. 29/513,438, May 26, 2016 Issue Fee Payment.
 U.S. Appl. No. 29/513,438, Feb. 26, 2016 Notice of Allowance.
 U.S. Appl. No. 29/513,435, Sep. 15, 2016 Notice of Allowance.

* cited by examiner

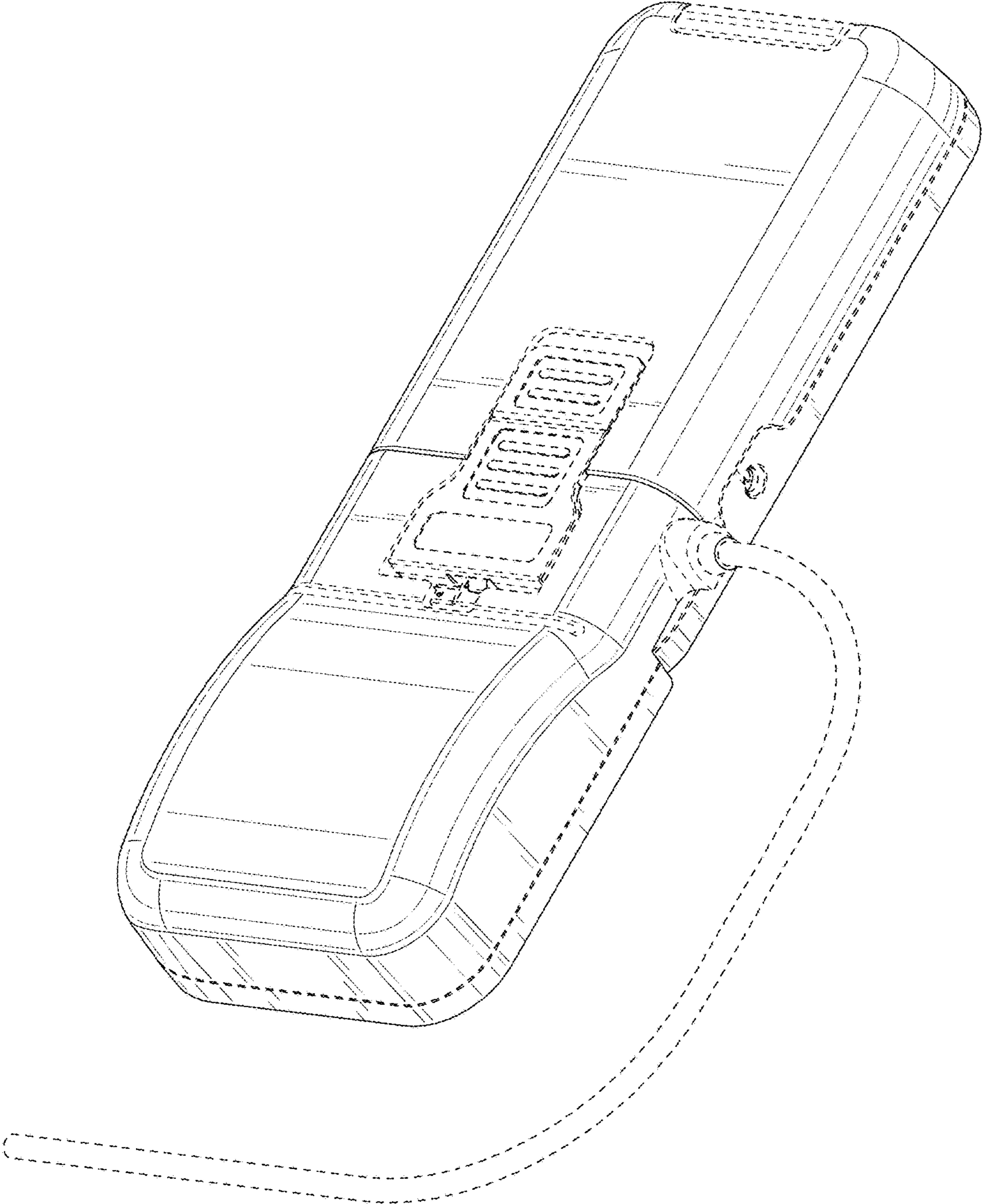


FIG. 1

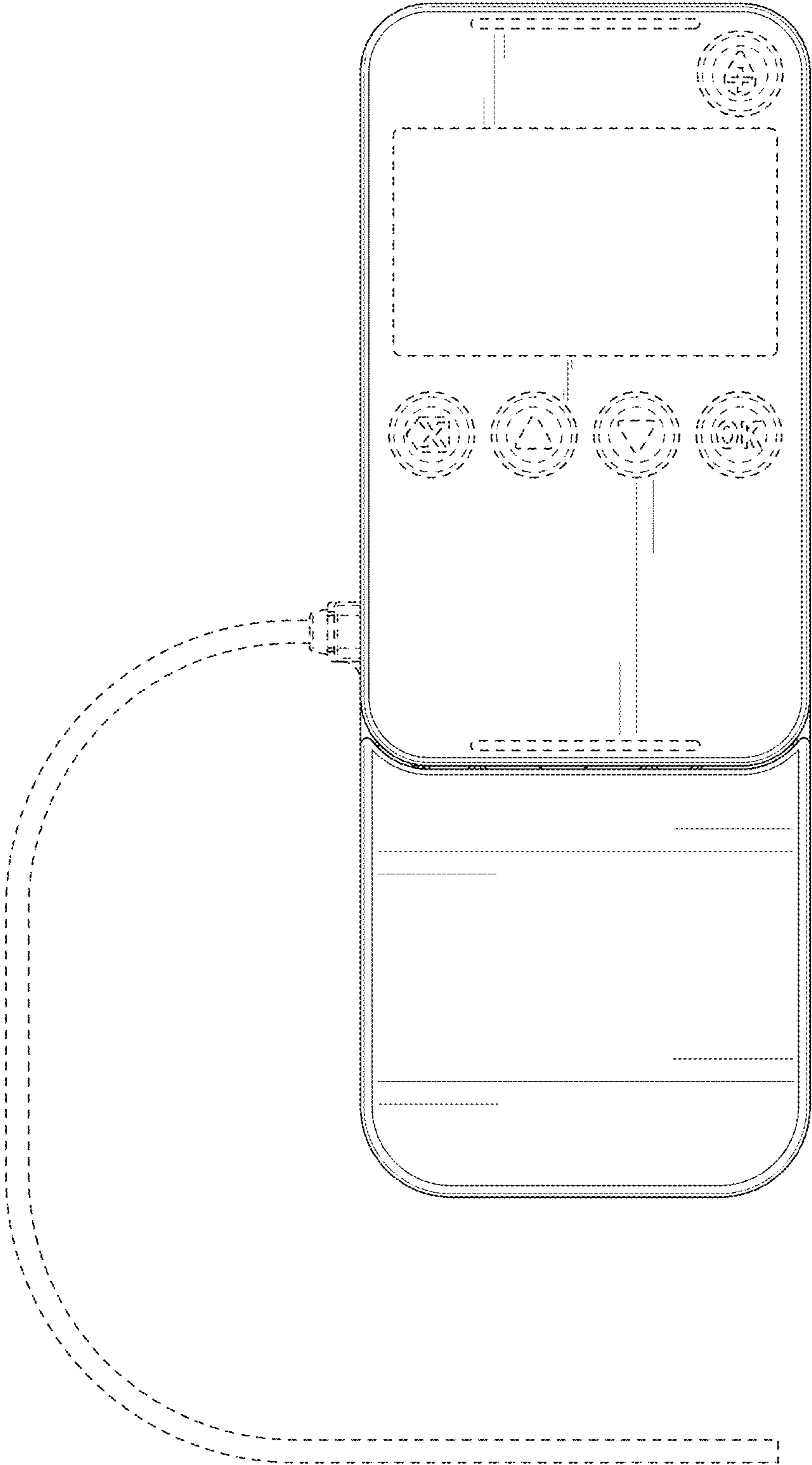


FIG. 2

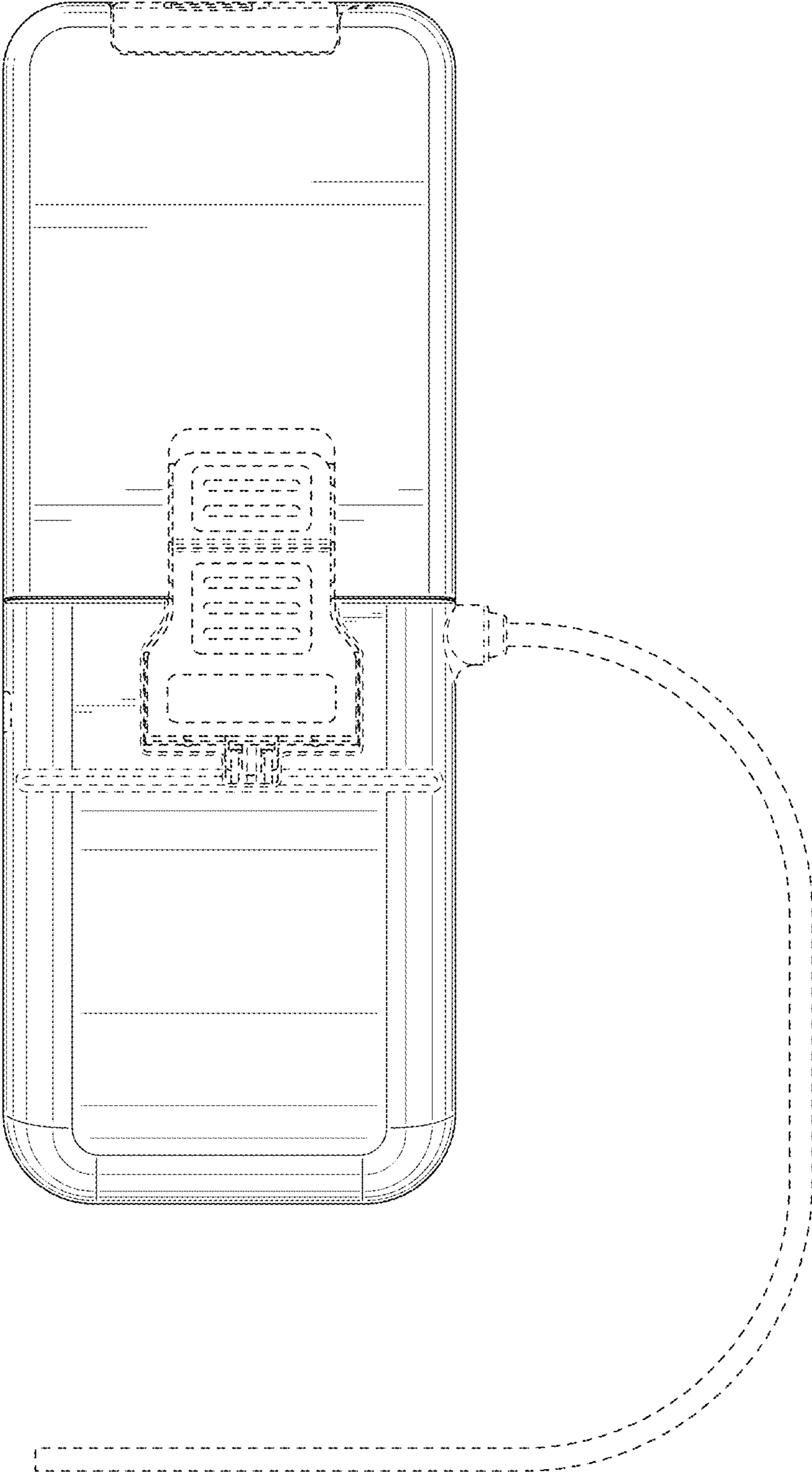


FIG. 3

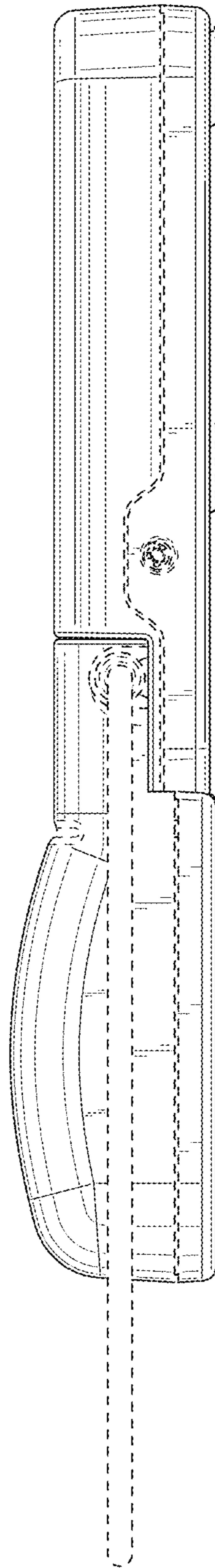


FIG. 4

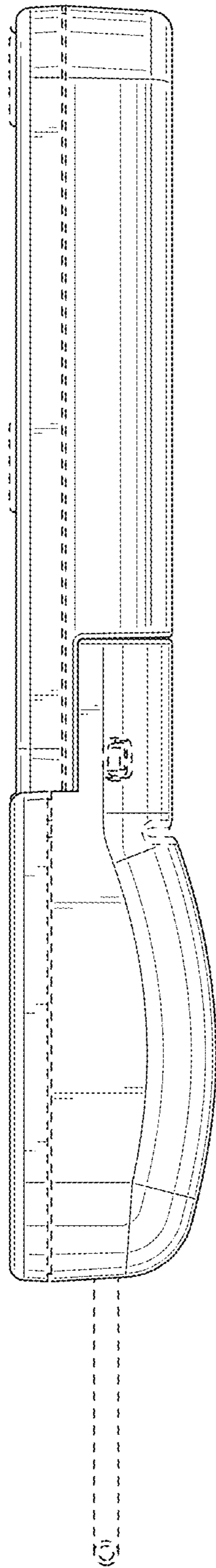


FIG. 5

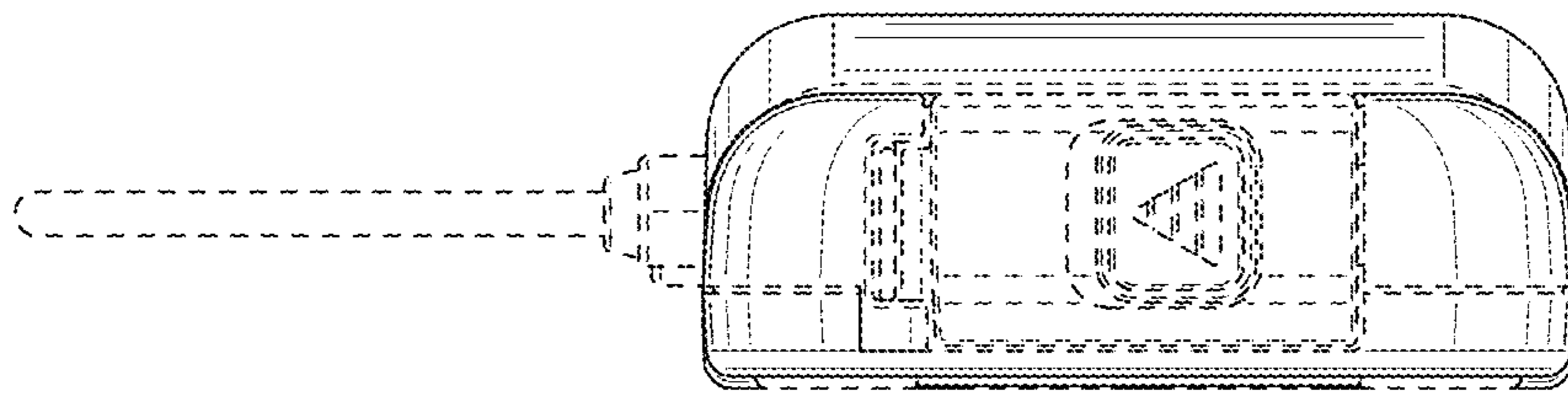


FIG. 6

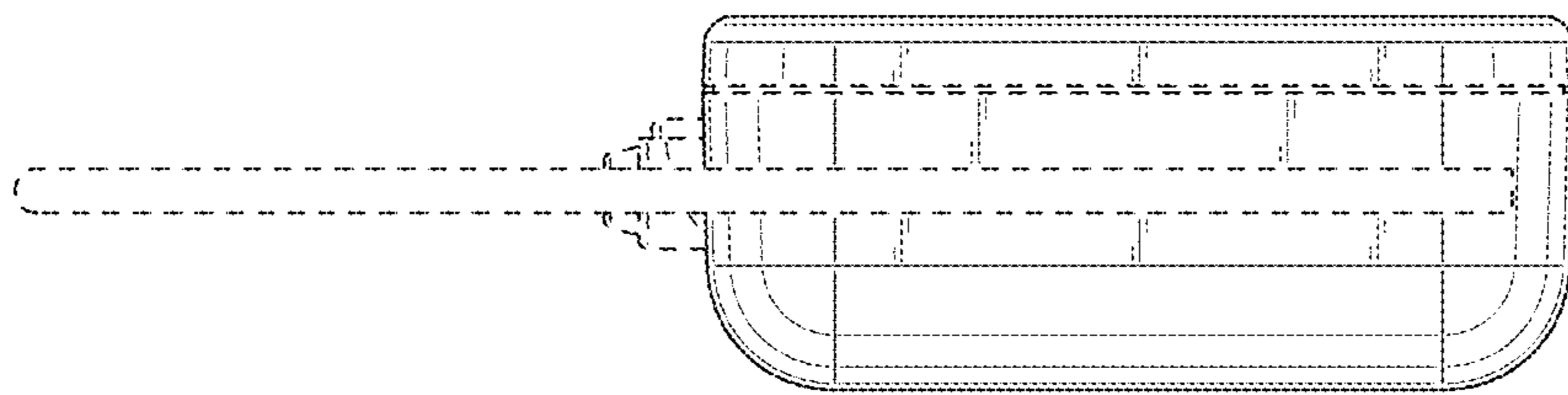


FIG. 7