



US00D777903S

(12) **United States Design Patent**
Schultz

(10) **Patent No.: US D777,903 S**
(45) **Date of Patent: ** *Jan. 31, 2017**

- (54) **NASAL-IRRIGATION FITTING**
- (71) Applicant: **Splash Medical Devices, LLC**, Atlanta, GA (US)
- (72) Inventor: **Joseph P. Schultz**, Atlanta, GA (US)
- (*) Notice: This patent is subject to a terminal disclaimer.
- (**) Term: **15 Years**
- (21) Appl. No.: **29/544,865**
- (22) Filed: **Nov. 6, 2015**

- 2,577,321 A * 12/1951 Filger B65D 47/18
128/200.22
- 2,579,362 A * 12/1951 Cage A61M 15/00
128/203.23
- 2,752,199 A * 6/1956 Newell, Jr. B05B 11/047
222/211

(Continued)

Primary Examiner — Barbara Fox
Assistant Examiner — Lilyana Bekic
(74) *Attorney, Agent, or Firm* — Merchant & Gould

(57) **CLAIM**

The ornamental design for a nasal-irrigation fitting, as shown and described.

DESCRIPTION

FIG. 1 is a front perspective view of a nasal-irrigation fitting shown in a position of use, attached to an irrigation fluid supplier, showing the new design;
FIG. 2 is a rear perspective view of the nasal-irrigation fitting of FIG. 1, shown without the example irrigation fluid supplier;
FIG. 3 is a top view of the nasal-irrigation fitting of FIG. 1;
FIG. 4 is a front side view of the nasal-irrigation fitting of FIG. 1, shown in use with the example irrigation fluid supplier, the rear side, right side and left side view being mirror images;
FIG. 5 is a bottom view of the nasal-irrigation fitting of FIG. 1, shown without the example irrigation fluid supplier; and,
FIG. 6 is a cross-sectional front side view of the nasal-irrigation fitting of FIG. 1, as viewed along sight line 6 in FIG. 3, the nasal-irrigation fitting being, shown without the example irrigation fluid supplier.

The broken line showing of the irrigation fluid supplier in FIGS. 1 and 4 illustrates the environment of the claimed design and forms no part thereof. All other broken lines illustrate portions of the nasal-irrigation fitting which form no part of the claimed design.

1 Claim, 2 Drawing Sheets

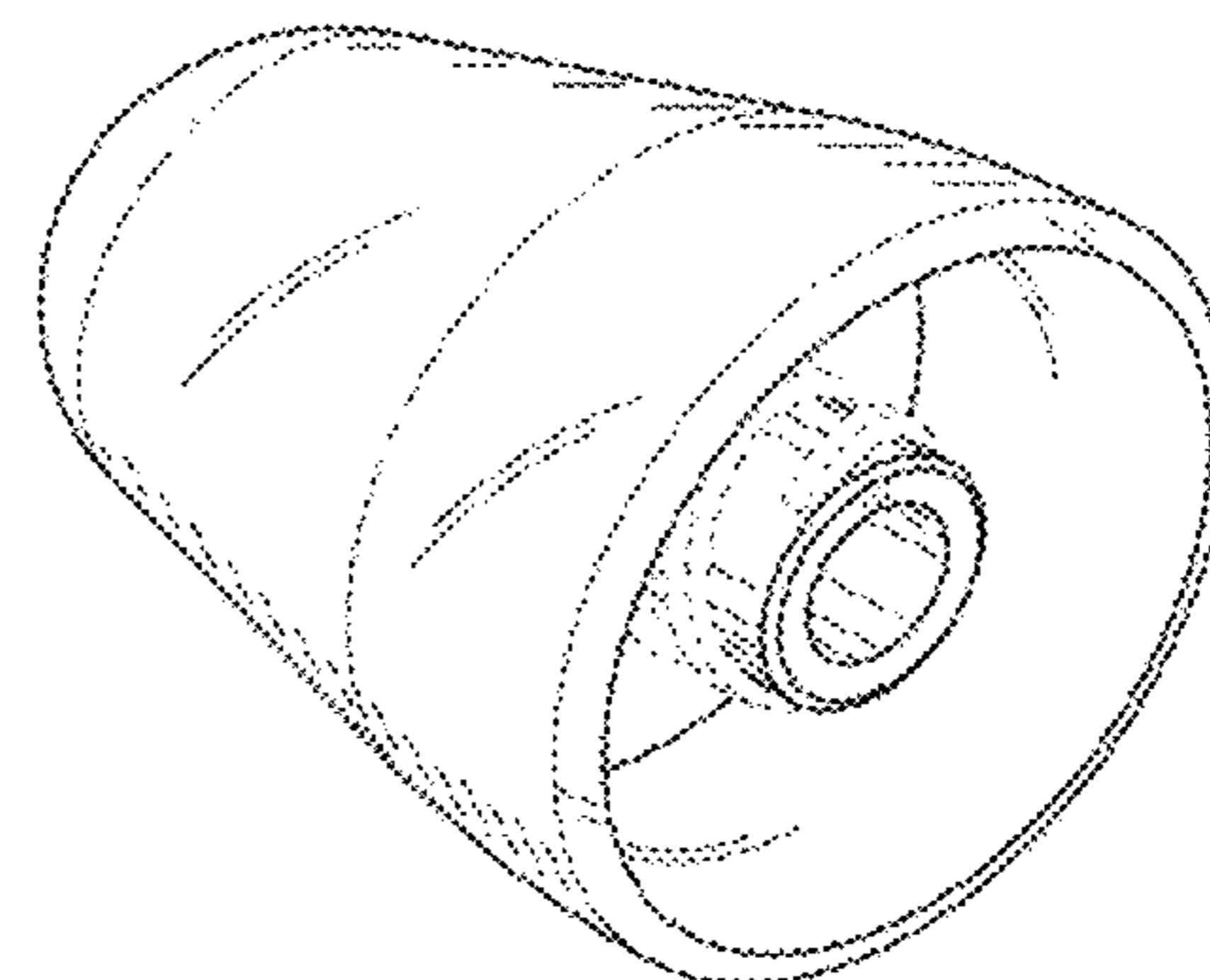
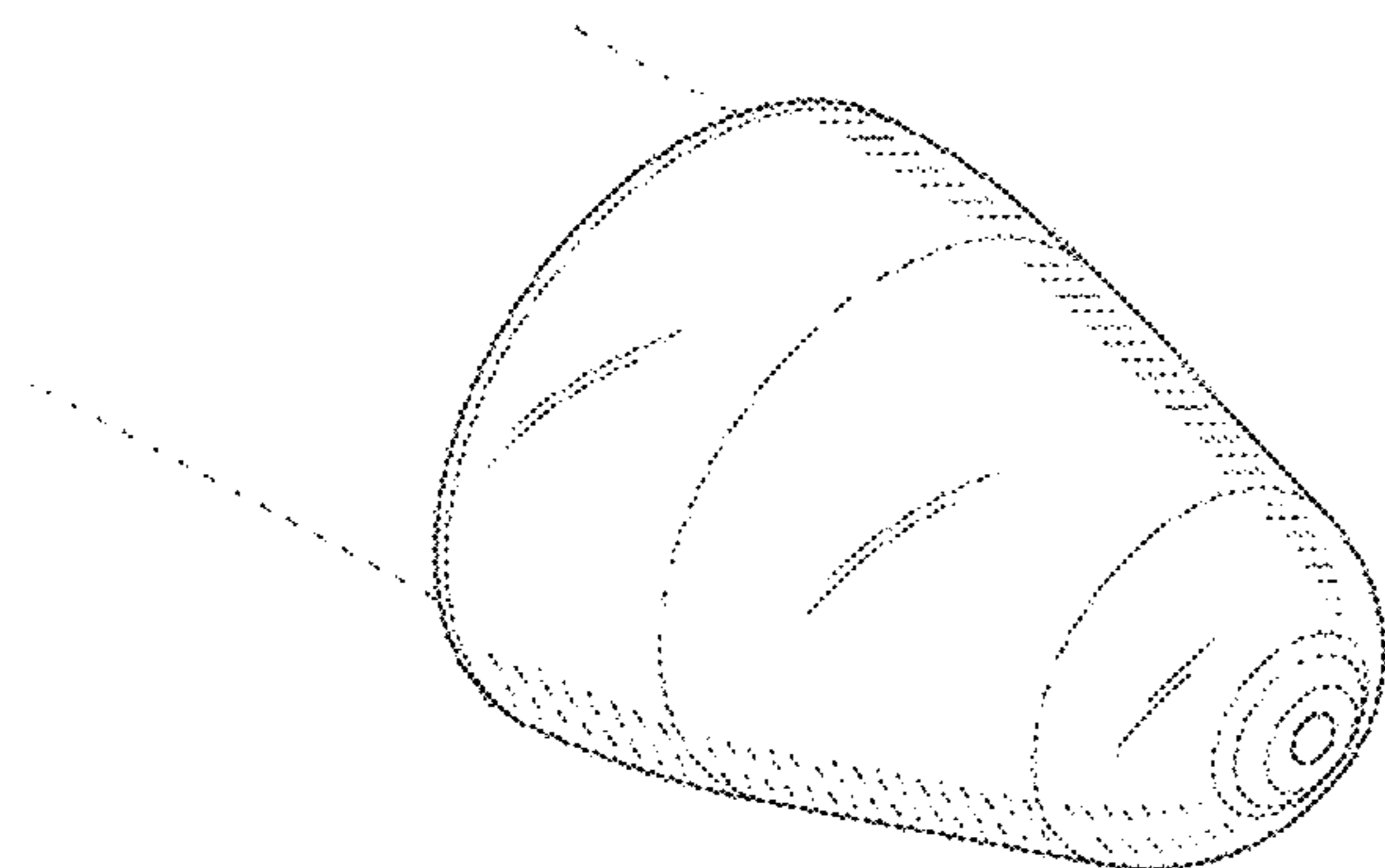
Related U.S. Application Data

- (63) Continuation-in-part of application No. 29/480,703, filed on Jan. 28, 2014, now Pat. No. Des. 743,019.
- (51) **LOC (10) Cl.** **24-01**
- (52) **U.S. Cl.**
USPC **D24/108**
- (58) **Field of Classification Search**
USPC D24/107, 108, 110, 111, 164, 130, 127;
D14/205; D9/435, 436, 445, 447
CPC A61M 2210/0618; A61M 11/00;
A61M 1/0003; A61D 1/02
See application file for complete search history.

References Cited

U.S. PATENT DOCUMENTS

- 1,775,947 A * 9/1930 Robinson A61M 15/00
128/203.26
- 1,806,453 A * 5/1931 Gibson A61M 15/00
128/203.22
- 1,944,108 A * 1/1934 Robinson A61M 11/00
128/200.14
- 2,004,402 A * 6/1935 Conklin A61M 11/00
128/200.11



(56)

References Cited

U.S. PATENT DOCUMENTS

2,796,294 A * 6/1957 McKinnon A61M 11/02
239/327
4,122,841 A * 10/1978 Rock A61B 5/6817
128/864
5,643,202 A * 7/1997 Gravenstein A61H 35/04
604/514
6,290,667 B1 * 9/2001 Cook A61M 1/0003
128/200.22
6,688,497 B2 * 2/2004 Mehta A61H 35/04
222/211
7,306,121 B2 * 12/2007 Ophardt B65D 47/123
222/209
7,681,577 B2 * 3/2010 Blanchard A61F 11/08
128/846
D624,901 S * 10/2010 Blanchard D14/205
D634,630 S * 3/2011 Taylor D9/447
D634,631 S * 3/2011 Taylor D9/447
7,959,597 B2 * 6/2011 Baker A61M 1/0058
604/28
D650,065 S * 12/2011 Berger D24/110

D653,953 S * 2/2012 Wakeman D9/526
D676,125 S * 2/2013 Hair D24/108
D676,126 S * 2/2013 Hair D24/108
8,486,029 B2 * 7/2013 Cacka A61M 3/0245
604/275
D698,023 S * 1/2014 Iseberg D24/174
D736,906 S * 8/2015 Schultz D24/108
D743,019 S * 11/2015 Schultz D24/108
2003/0062367 A1 * 4/2003 Robinson A47G 19/2227
220/254.1
2011/0139149 A1 * 6/2011 Cacka A61H 35/04
128/200.14
2011/0139824 A1 * 6/2011 Cacka A61M 3/0245
604/275
2011/0139826 A1 * 6/2011 Hair B65D 1/32
222/211
2011/0144588 A1 * 6/2011 Taylor A61M 3/0258
604/151
2011/0319840 A1 * 12/2011 Hair A61M 3/0262
604/275
2014/0171880 A1 * 6/2014 Carpenter A61M 3/0275
604/257

* cited by examiner

FIG. 1

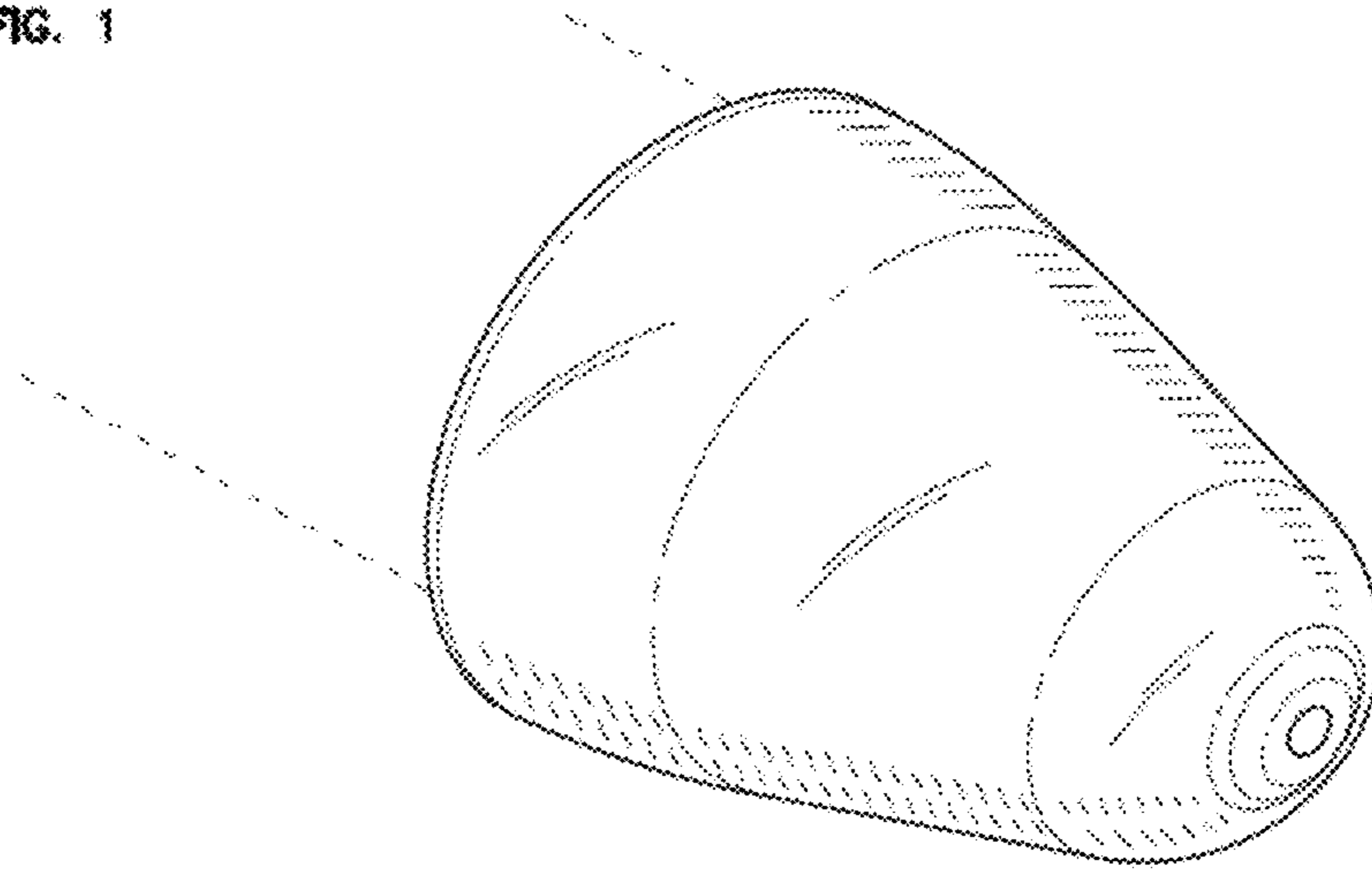


FIG. 2

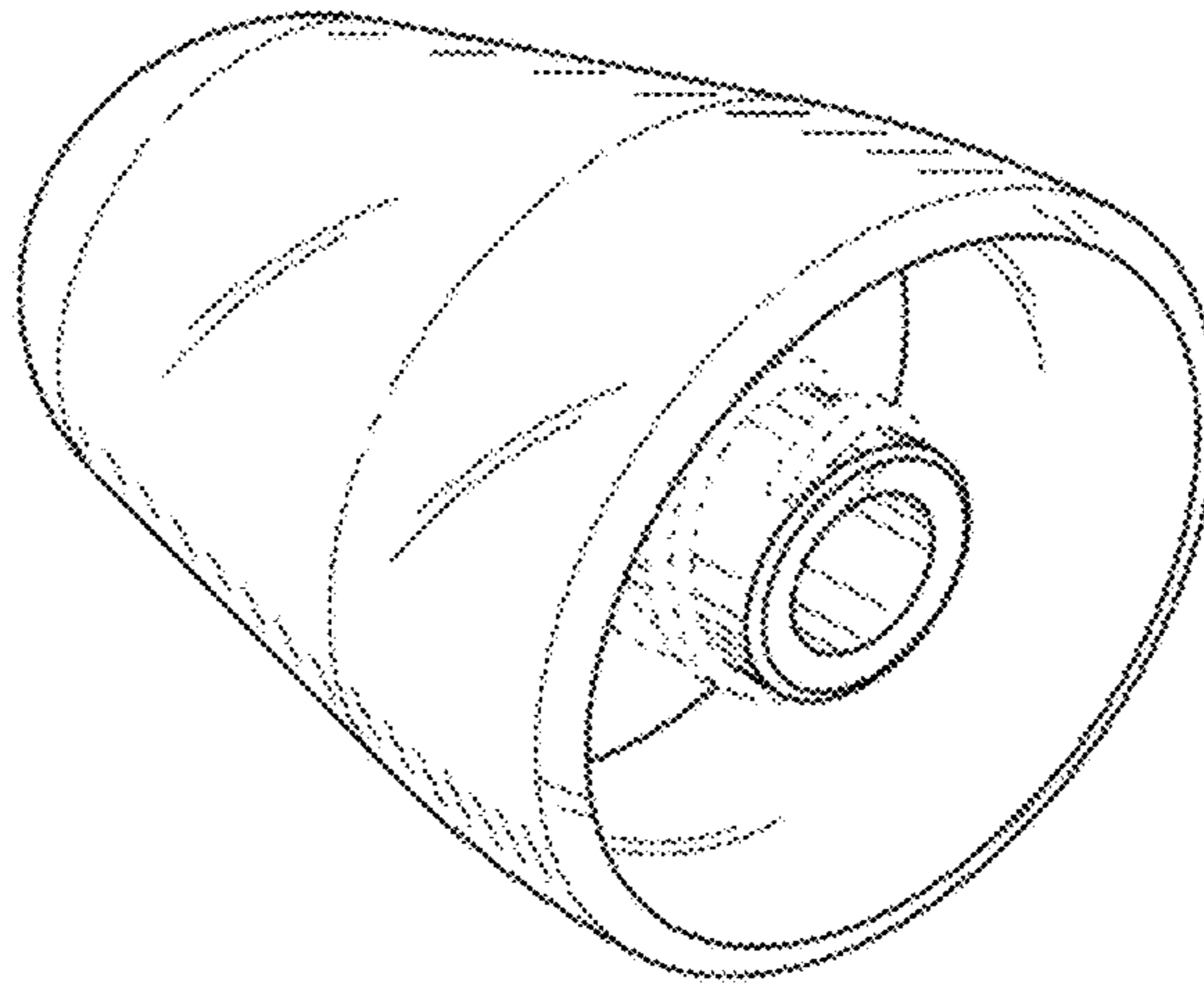


FIG. 3

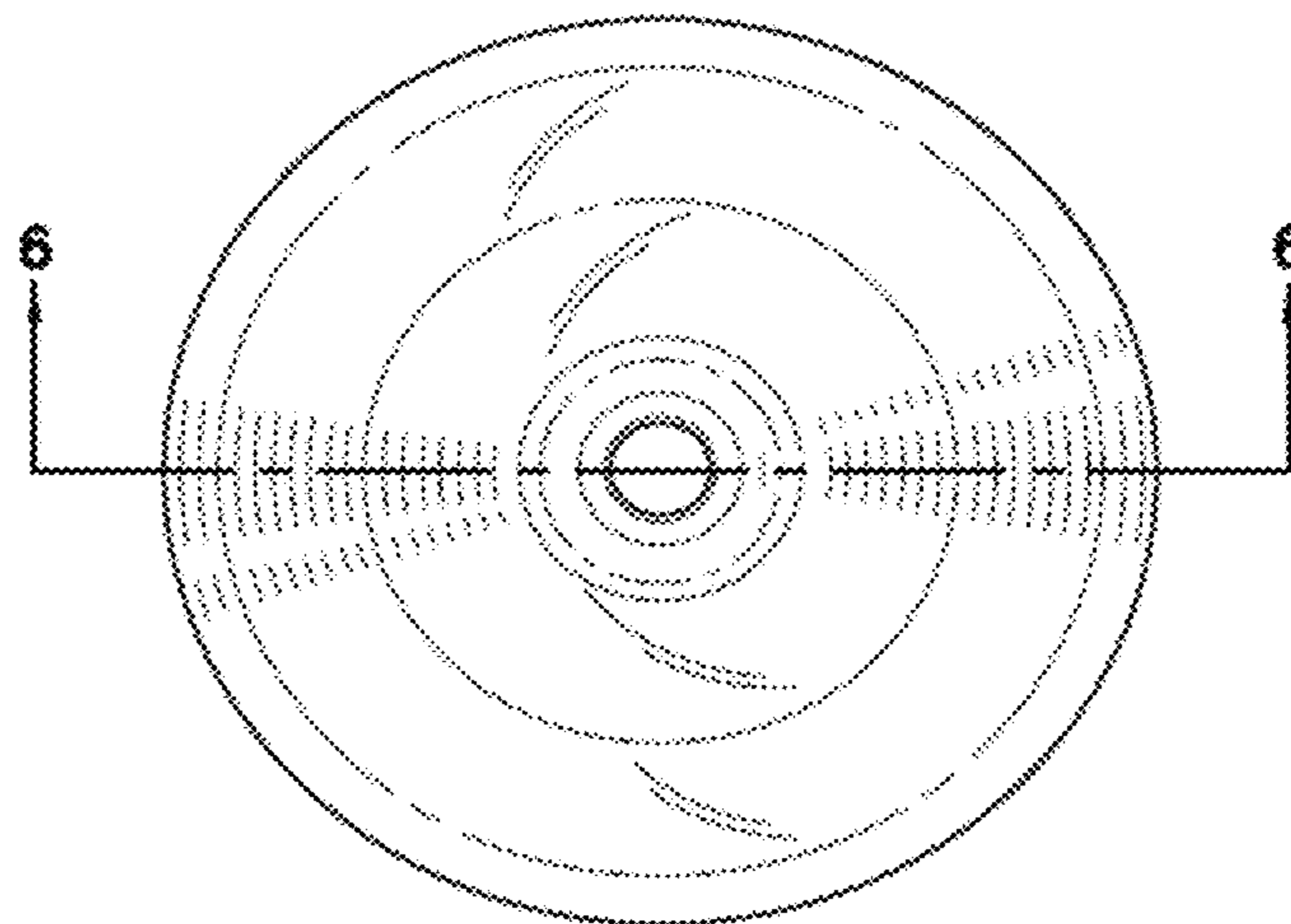


FIG. 4

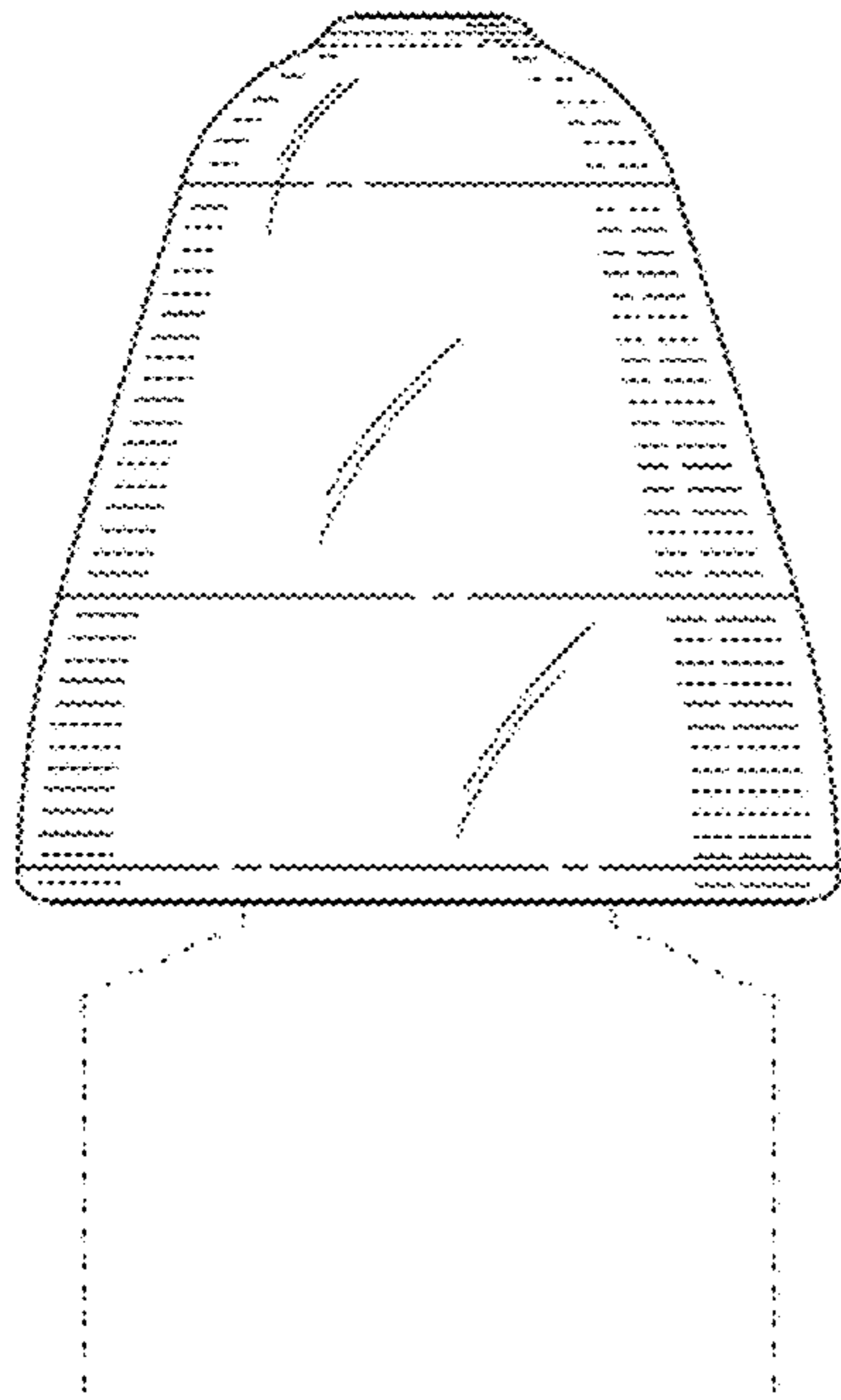


FIG. 5

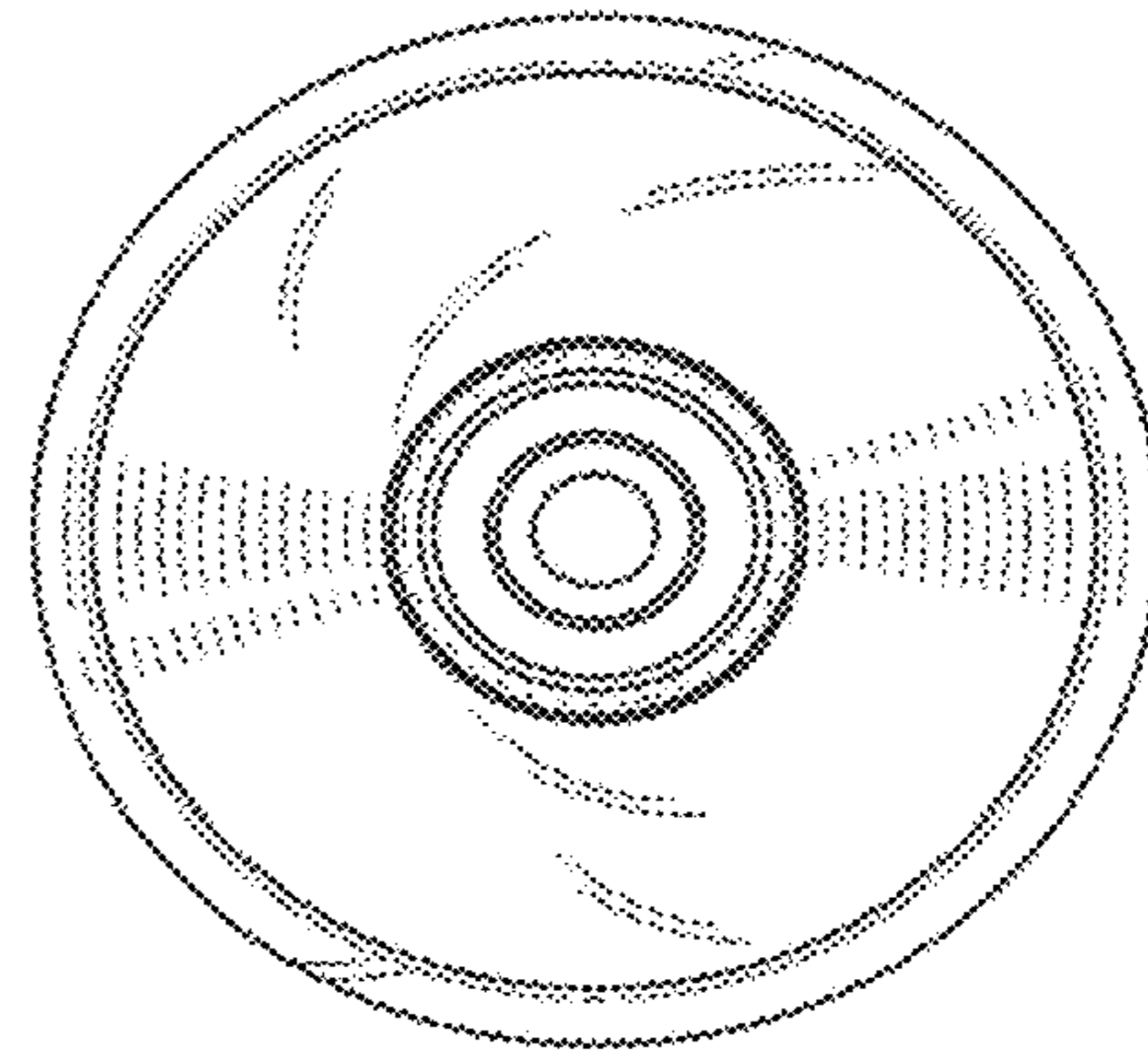


FIG. 6

