



US00D777902S

(12) **United States Design Patent**
Souney

(10) **Patent No.:** **US D777,902 S**
(45) **Date of Patent:** **** Jan. 31, 2017**

- (54) **HOME CARE PUMP CASE**
- (71) Applicant: **Currie Medical Specialties, Inc.**,
Rancho Cucamonga, CA (US)
- (72) Inventor: **Sean Souney**, Rancho Cucamonga, CA
(US)
- (73) Assignee: **Currie Medical Specialties, Inc.**,
Rancho Cucamonga, CA (US)

- 2008/0058911 A1* 3/2008 Parish A61F 7/0085
607/104
- 2009/0069731 A1* 3/2009 Parish A61F 7/0085
601/150
- 2010/0210982 A1* 8/2010 Balachandran A61F 7/0085
601/152
- 2011/0257565 A1* 10/2011 Wilford A61H 9/0078
601/18
- 2014/0303533 A1* 10/2014 Zeutzius A61H 9/0092
601/151

(**) Term: **14 Years**

* cited by examiner

(21) Appl. No.: **29/502,083**

Primary Examiner — Barbara Fox

Assistant Examiner — Lilyana Bekic

(22) Filed: **Sep. 11, 2014**

(74) *Attorney, Agent, or Firm* — Ater Wynne LLP

(51) **LOC (10) Cl.** **24-01**

(52) **U.S. Cl.**
USPC **D24/107**

(57) **CLAIM**

The ornamental design for a home care pump case, as shown and described.

(58) **Field of Classification Search**
USPC D24/107–108, 110–114, 127, 162, 164,
D24/185–186, 200; D3/203.1, 201, 294
CPC A61H 9/0078; A61H 2205/10; A61H
2201/165; A61H 2201/5007; A61H
2205/106; A61F 7/0085
See application file for complete search history.

DESCRIPTION

FIG. 1 is a front perspective view of a home care pump case showing my new design;
FIG. 2 is a front view thereof;
FIG. 3 is a right view thereof;
FIG. 4 is a left view thereof;
FIG. 5 is a top view thereof;
FIG. 6 is a bottom view thereof; and,
FIG. 7 is a rear view thereof.

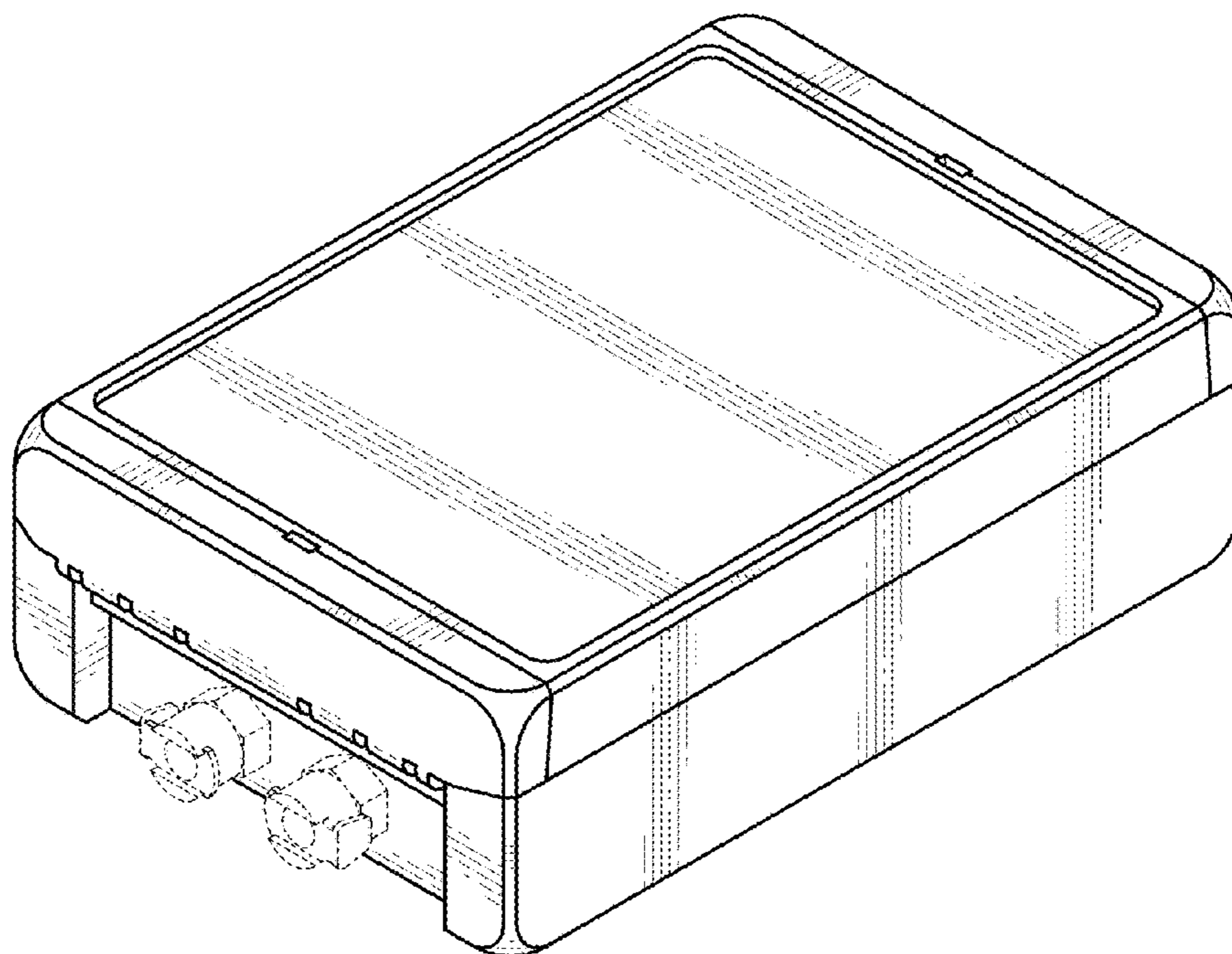
The broken lines in the drawings illustrate portions of the home care pump case that form no part of the claimed design.

(56) **References Cited**

U.S. PATENT DOCUMENTS

- D280,015 S * 8/1985 Sarajian D24/227
- D724,625 S * 3/2015 Souney D15/7
- 8,979,915 B2 * 3/2015 Wilford 417/199.1
- D726,772 S * 4/2015 Souney D15/7

1 Claim, 7 Drawing Sheets



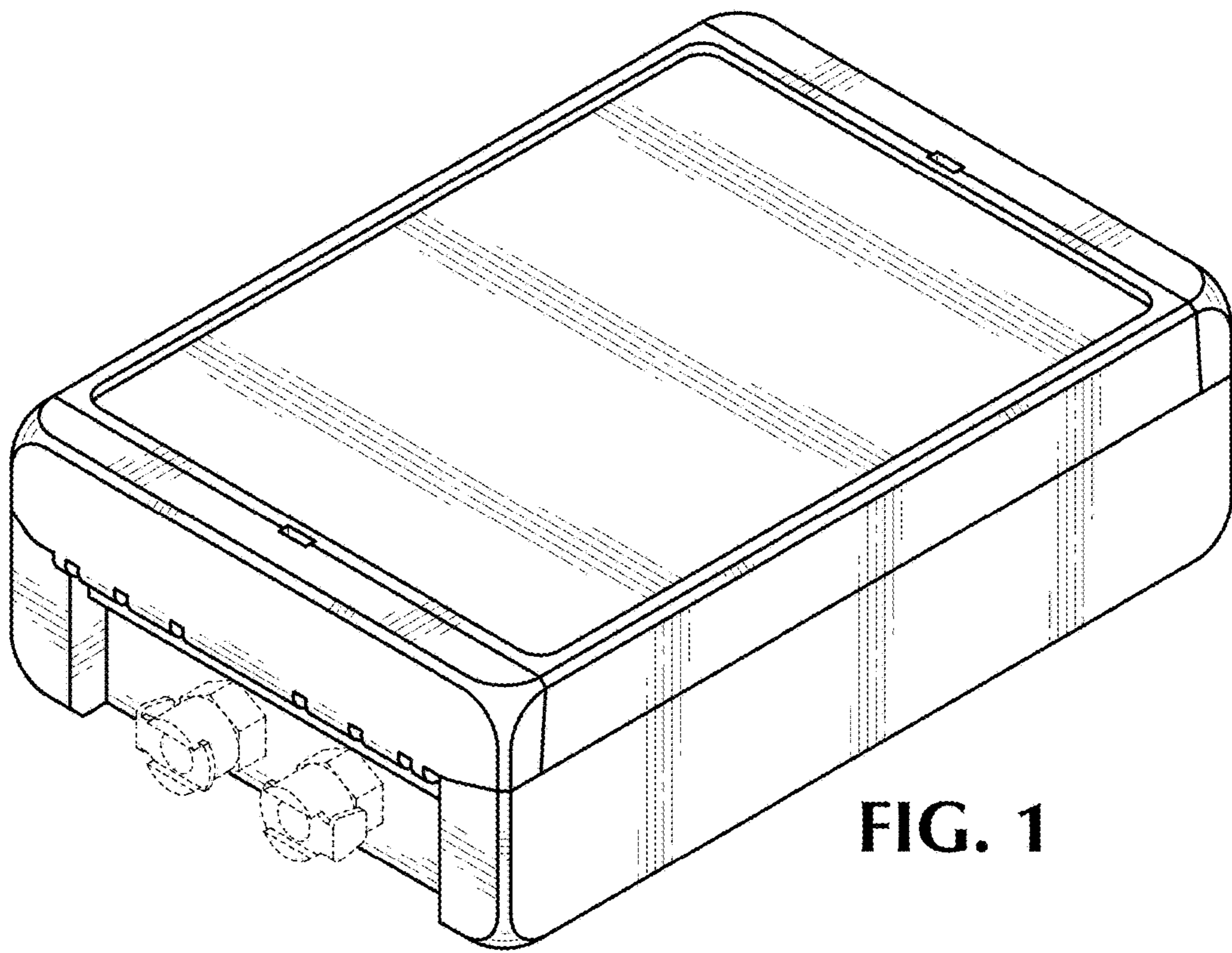


FIG. 1

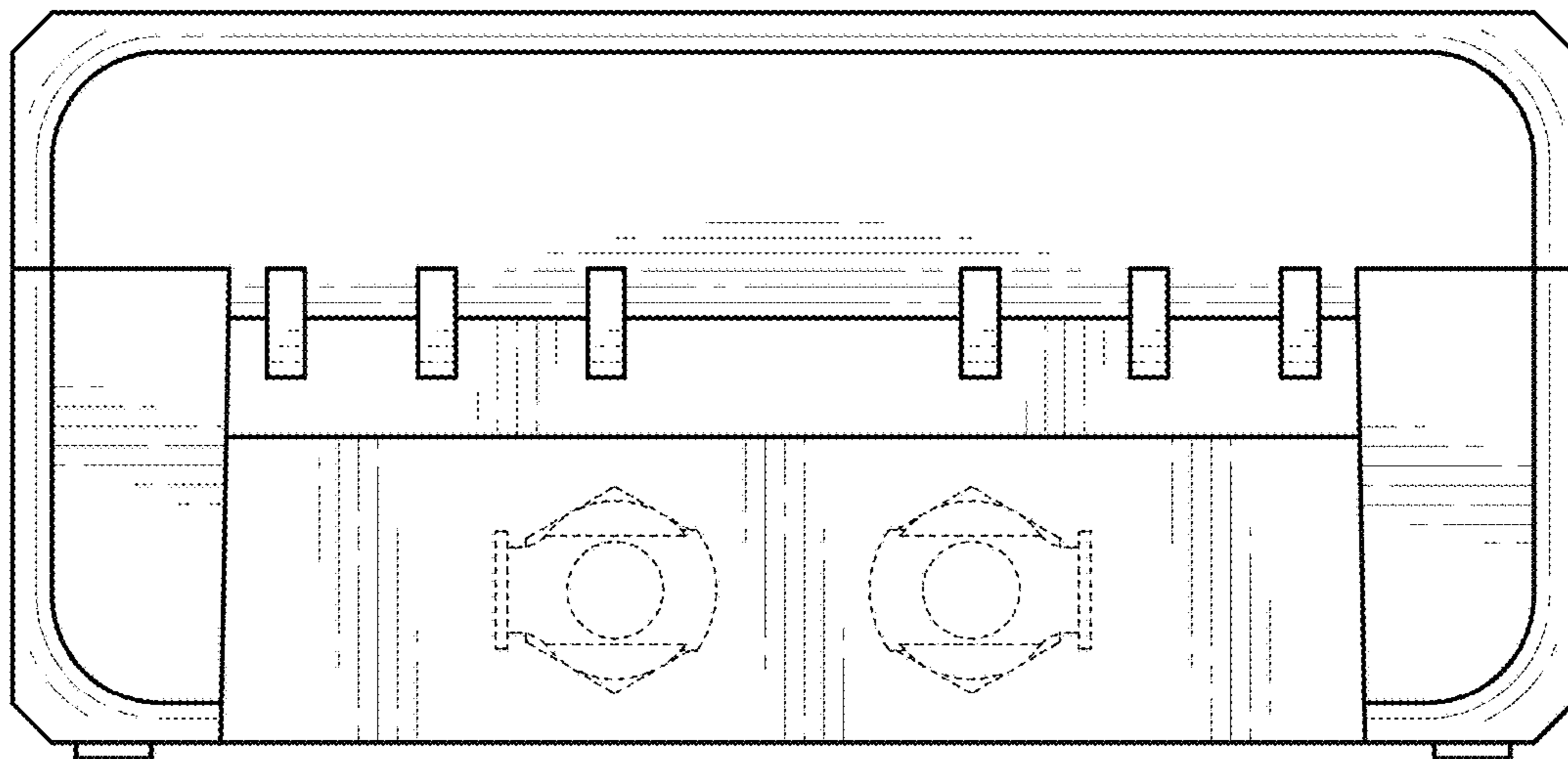


FIG. 2

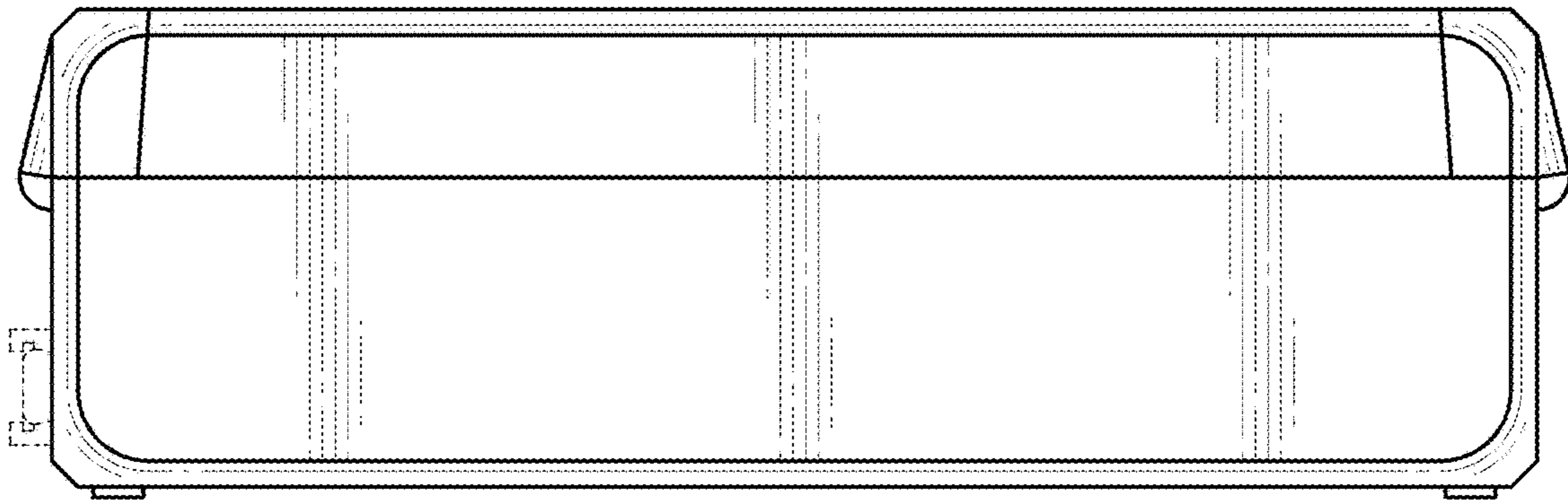


FIG. 3

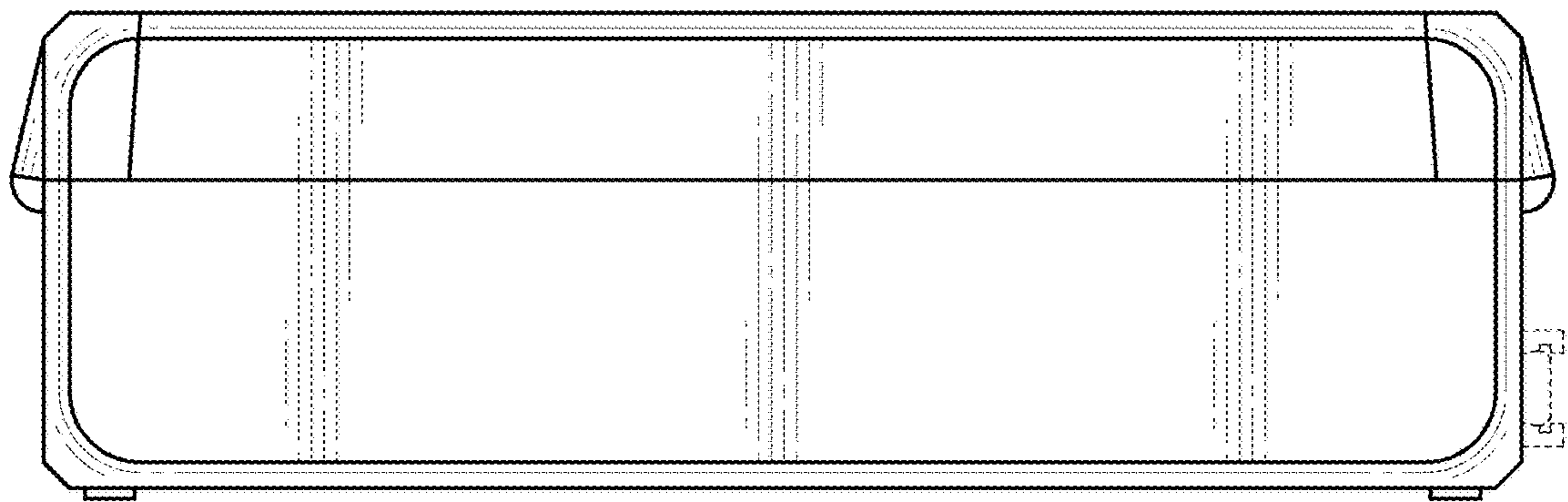


FIG. 4

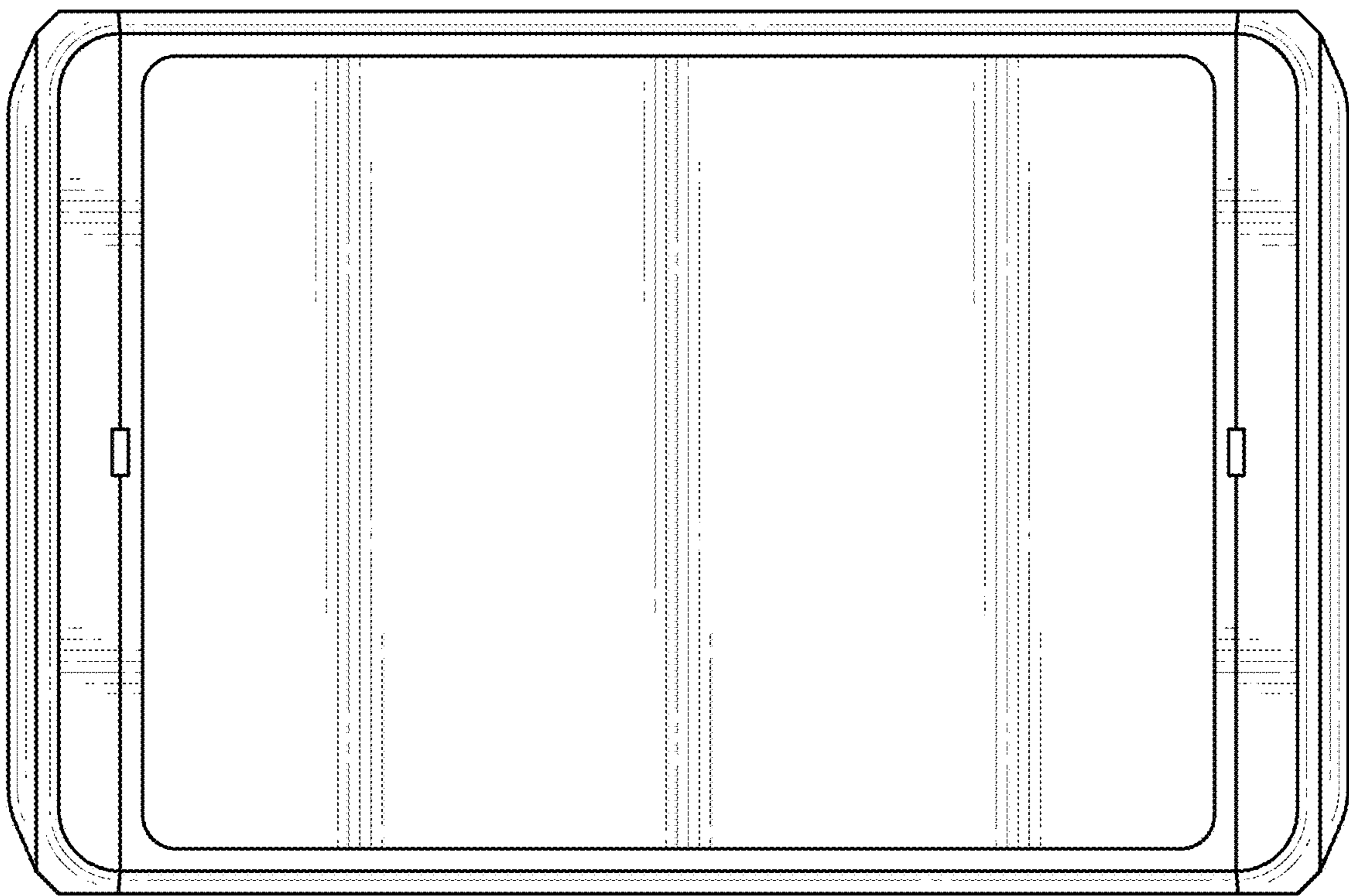


FIG. 5

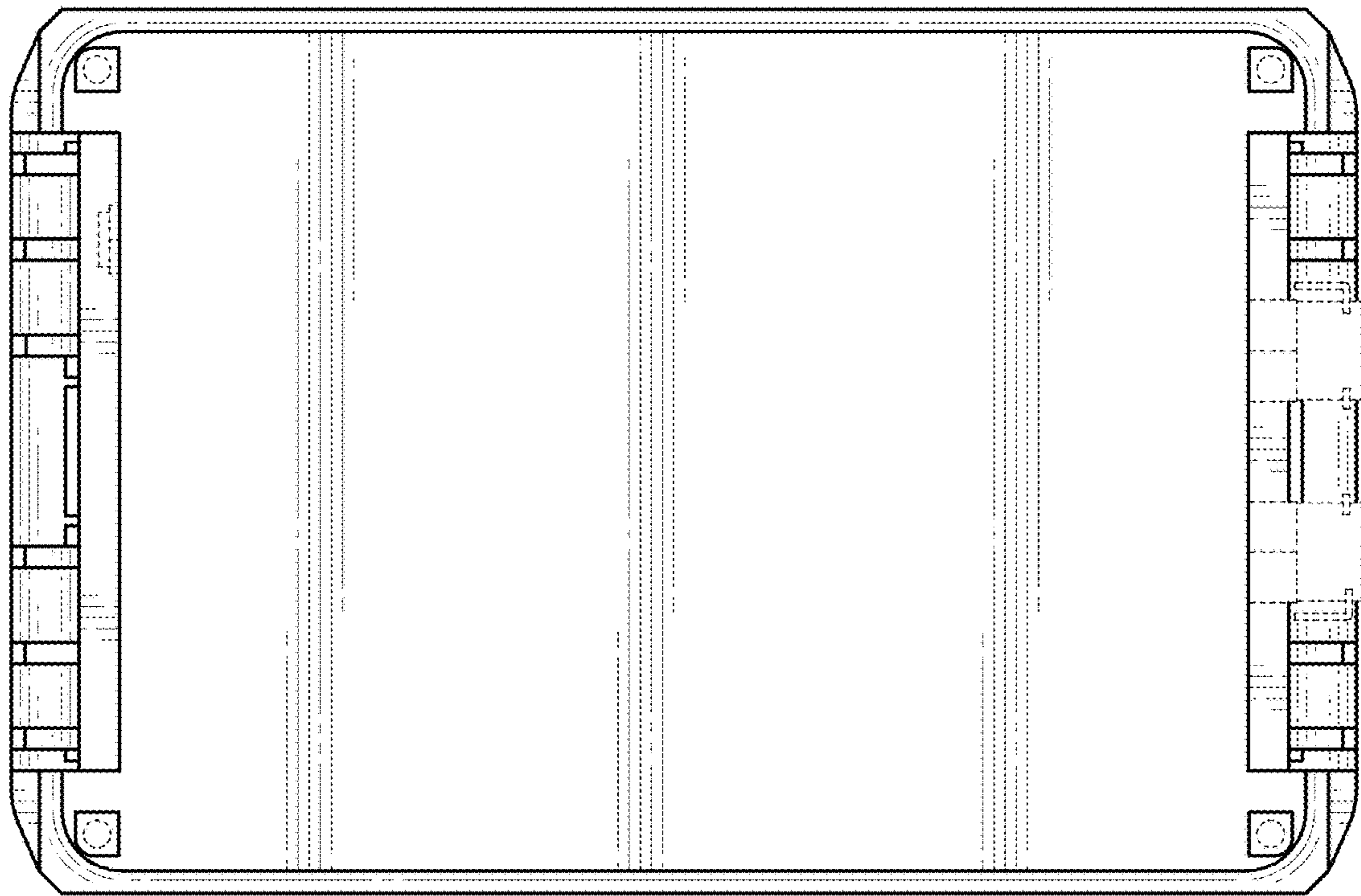


FIG. 6

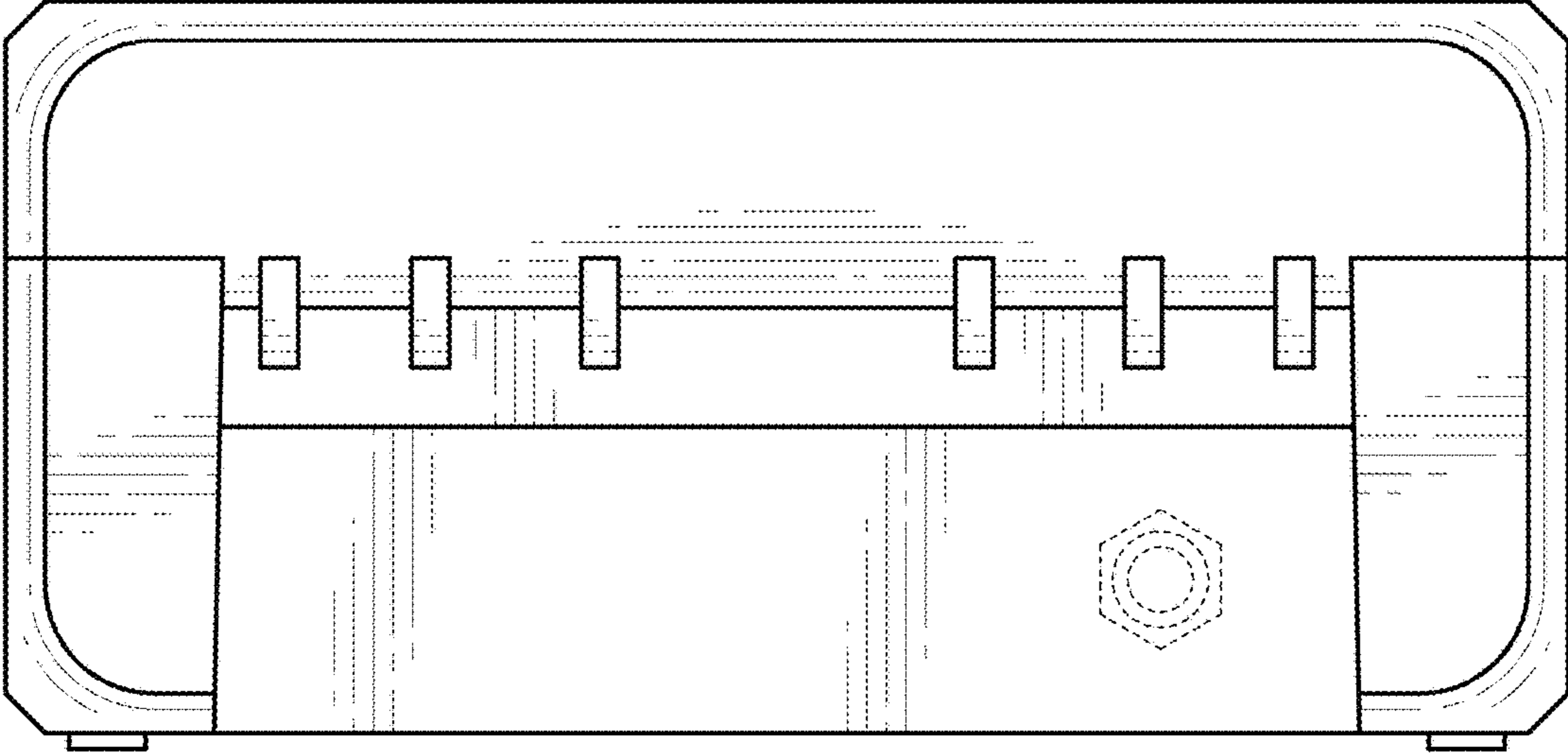


FIG. 7