



US00D777900S

(12) **United States Design Patent**
Esposito

(10) **Patent No.:** **US D777,900 S**
(45) **Date of Patent:** **** Jan. 31, 2017**

- (54) **MOUNTING BLOCK**
- (71) Applicant: **Jeff Esposito**, Montgomery, IL (US)
- (72) Inventor: **Jeff Esposito**, Montgomery, IL (US)
- (**) Term: **14 Years**
- (21) Appl. No.: **29/502,093**
- (22) Filed: **Sep. 11, 2014**
- (51) **LOC (10) Cl.** **23-04**
- (52) **U.S. Cl.**
USPC **D23/393**
- (58) **Field of Classification Search**
USPC D23/385-395, 397, 370-373, 365, 351,
D23/354, 399-403, 421, 499; 454/309,
454/275-277, 284, 287-291, 358-363;
52/302.1, 32.07; 285/229, 189, 183,
285/123.1, 15, 114, 110, 424, 197;
165/59; 34/97; 49/373; 248/688, 174,
248/345.1, 346.01; 428/542.4; D21/471,
D21/470, 491, 500, 489; 174/483;
D11/222, 131.1, 132, 141, 130.1;
D25/152, 139, 135, 131, 118, 113,
D25/54, 43, 138, 140, 156
CPC B29C 66/71; B29C 66/5221; Y10T
29/49826; B60H 1/00514; B60H 1/00028
See application file for complete search history.

- D343,825 S * 2/1994 Enderby D13/152
- D362,784 S * 10/1995 Sperry D11/155
- D365,535 S * 12/1995 Muckler D11/132
- D371,828 S * 7/1996 Priest D23/269
- D394,901 S * 6/1998 Governale D23/351
- 5,818,639 A * 10/1998 Furuya G03B 21/10
348/836
- 5,891,207 A * 4/1999 Katta B01D 46/0002
55/385.3
- 6,051,786 A 4/2000 Gretz
- 6,176,462 B1 * 1/2001 Jansen E04G 13/00
249/208
- 6,239,368 B1 5/2001 Gretz
- 6,651,391 B2 * 11/2003 Nale E02D 29/12
220/761
- 6,780,100 B1 8/2004 Gretz
- D504,939 S * 5/2005 Piatt D23/293.1
- 7,037,359 B1 * 5/2006 McCauley B01D 45/08
126/299 R
- D537,519 S * 2/2007 Sigillo D23/393
- D557,781 S * 12/2007 Kim D23/351

(Continued)

Primary Examiner — David Muller
Assistant Examiner — Nathan Johnston
(74) *Attorney, Agent, or Firm* — McDonnell Boehnen
Hulbert & Berghoff LLP

(57) **CLAIM**

The ornamental design for a mounting block, as shown and described.

(56) **References Cited**

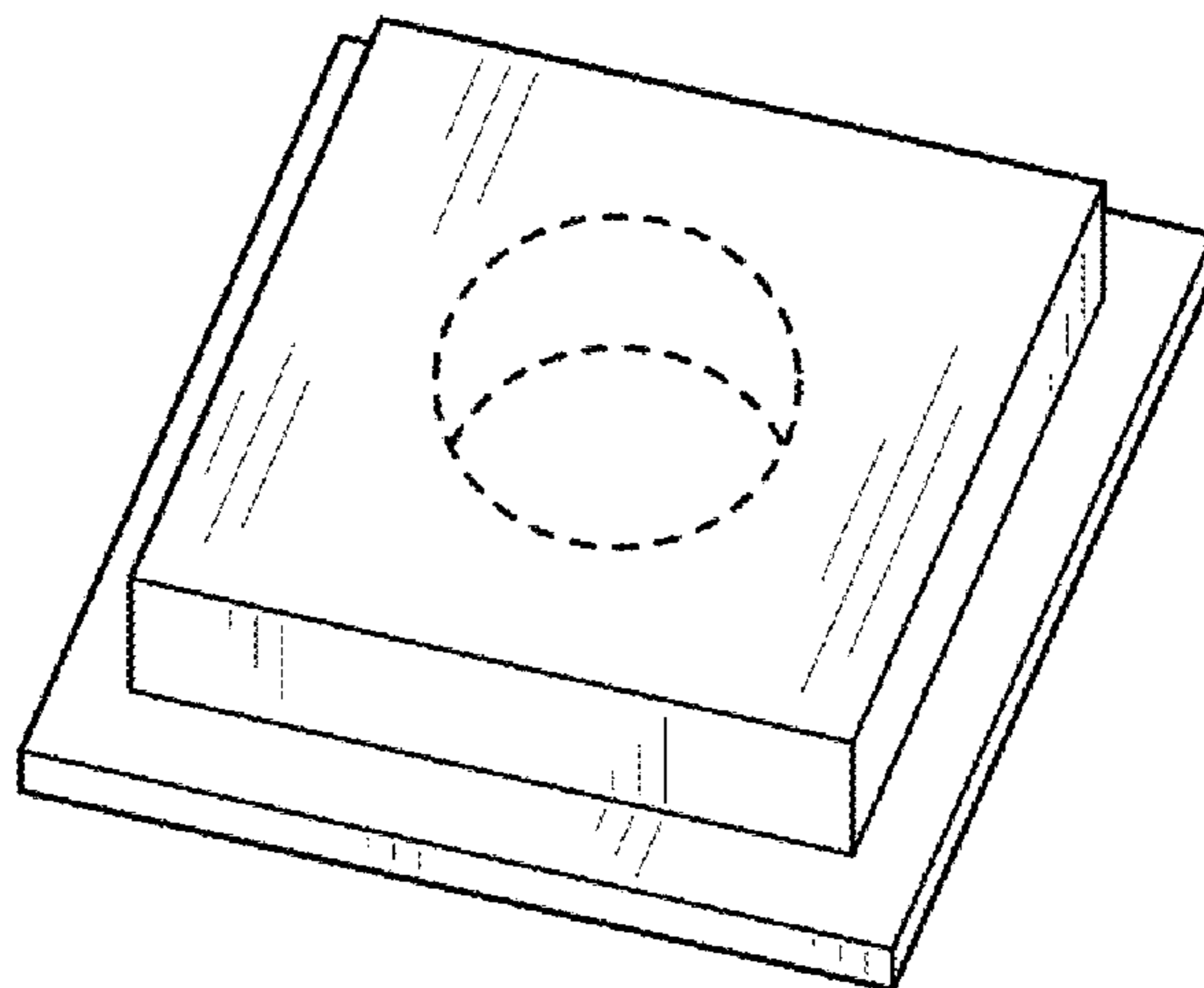
U.S. PATENT DOCUMENTS

- 1,546,777 A * 7/1925 Deinhart A47B 13/04
108/150
- 1,682,686 A * 8/1928 Rutherford G09B 17/00
434/172
- 3,520,093 A * 7/1970 Painter E04D 13/0325
454/356
- D236,204 S * 8/1975 Cooper D23/261
- 4,502,368 A * 3/1985 Hempel F24F 13/00
248/222.41
- 4,667,581 A * 5/1987 Hovland F24F 7/00
454/260
- 4,818,639 A * 4/1989 Kunz H01M 8/02
429/472
- D329,694 S * 9/1992 Wimberly D23/373

DESCRIPTION

FIG. 1 is a top perspective view of a mounting block in accordance with the present design.
FIG. 2 is a bottom perspective view thereof;
FIG. 3 is a side perspective view thereof;
FIG. 4 is a side perspective view thereof;
FIG. 5 is a side elevation view thereof;
FIG. 6 is a top plan view thereof; and,
FIG. 7 is a bottom plan view thereof.
The broken line showing of mounting block is included for the purpose of illustrating portions of the “article” and forms no part of the claimed design.

1 Claim, 1 Drawing Sheet



(56)

References Cited

U.S. PATENT DOCUMENTS

7,651,390 B1 * 1/2010 Profeta F24F 13/06
454/284
D625,800 S * 10/2010 Daniels D23/373
8,572,910 B2 * 11/2013 Hendricks E04F 17/04
174/50
8,661,750 B2 * 3/2014 Melesky E04B 1/7608
182/46
D727,678 S * 4/2015 Minor D7/354

* cited by examiner

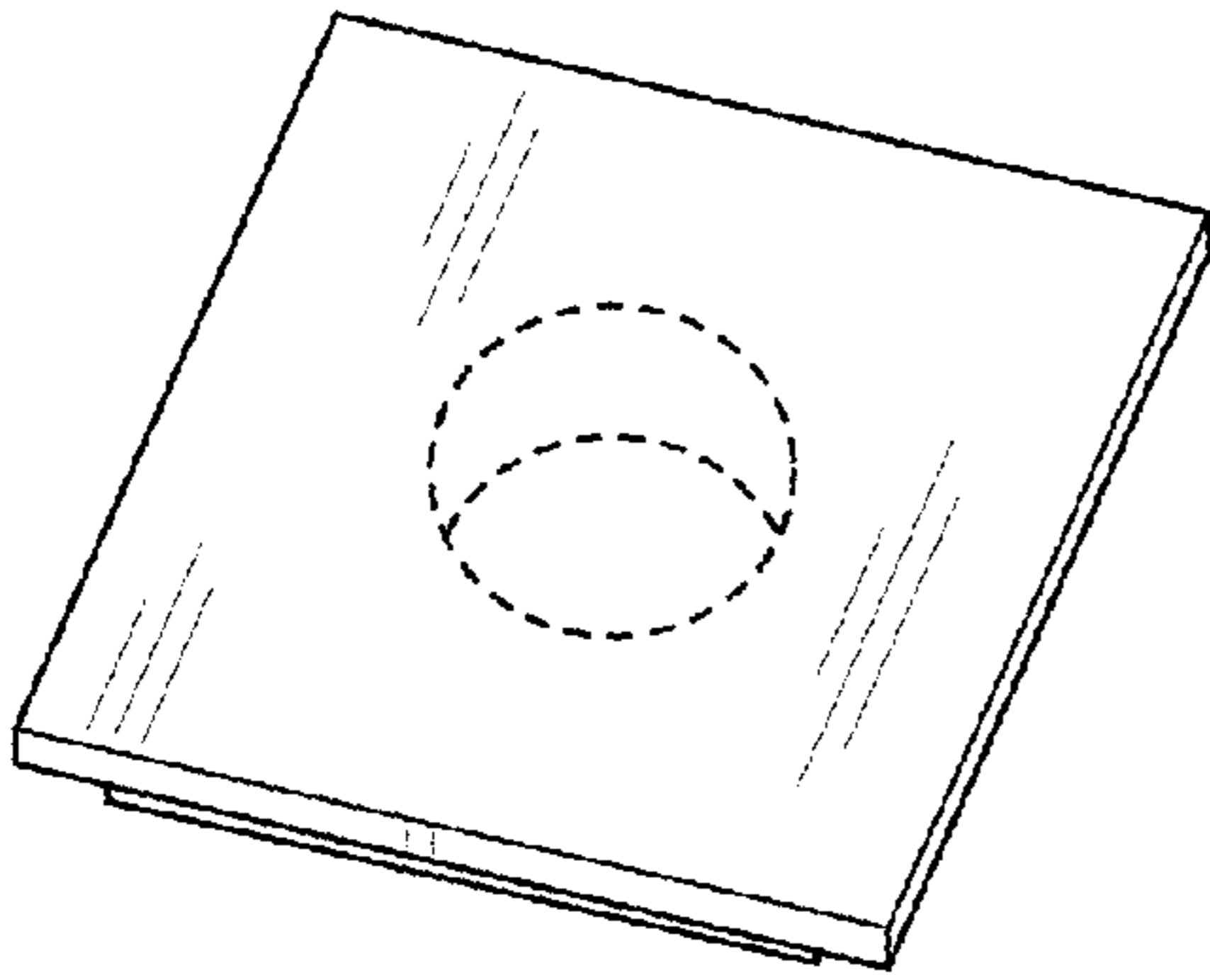


FIG. 1

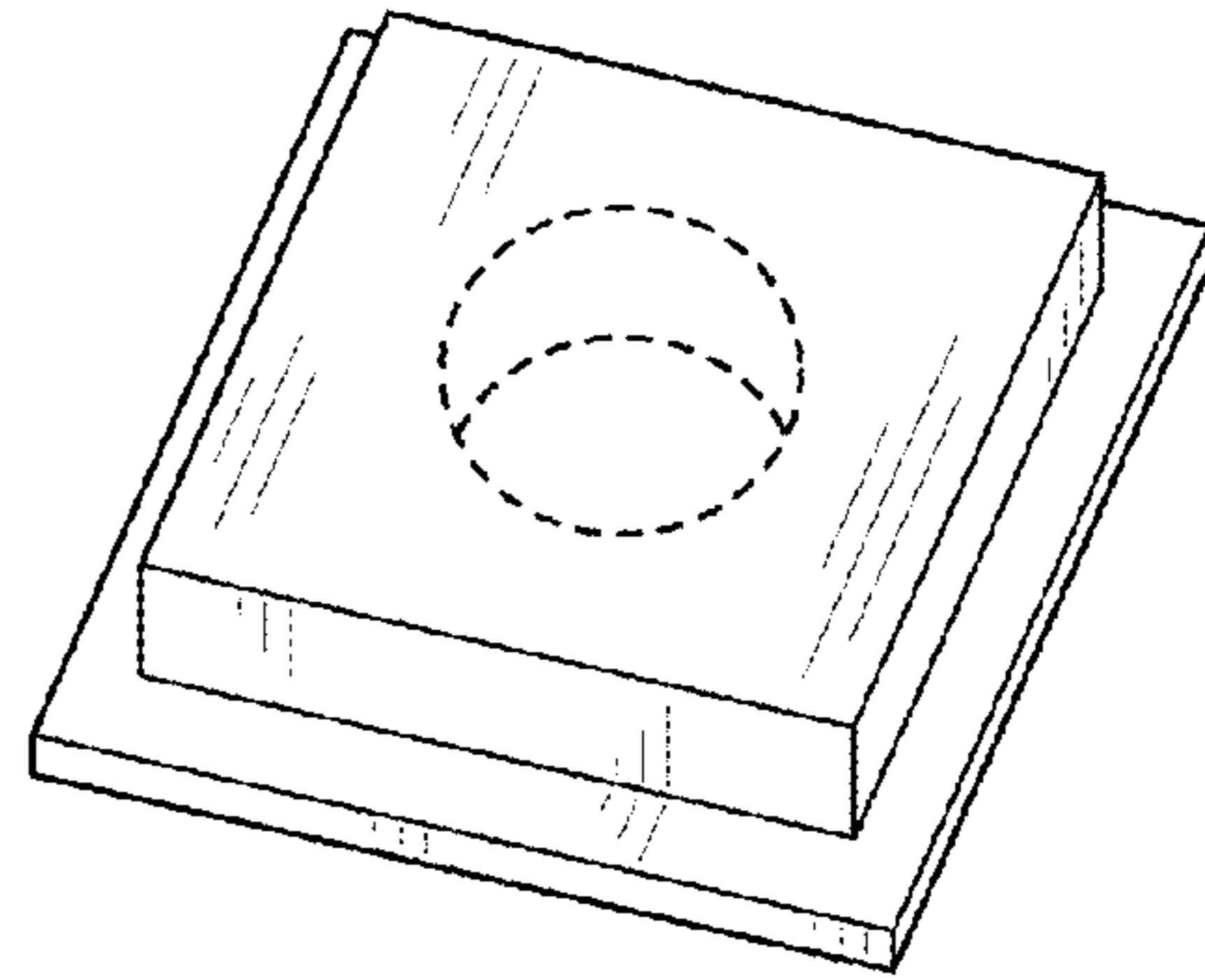


FIG. 2

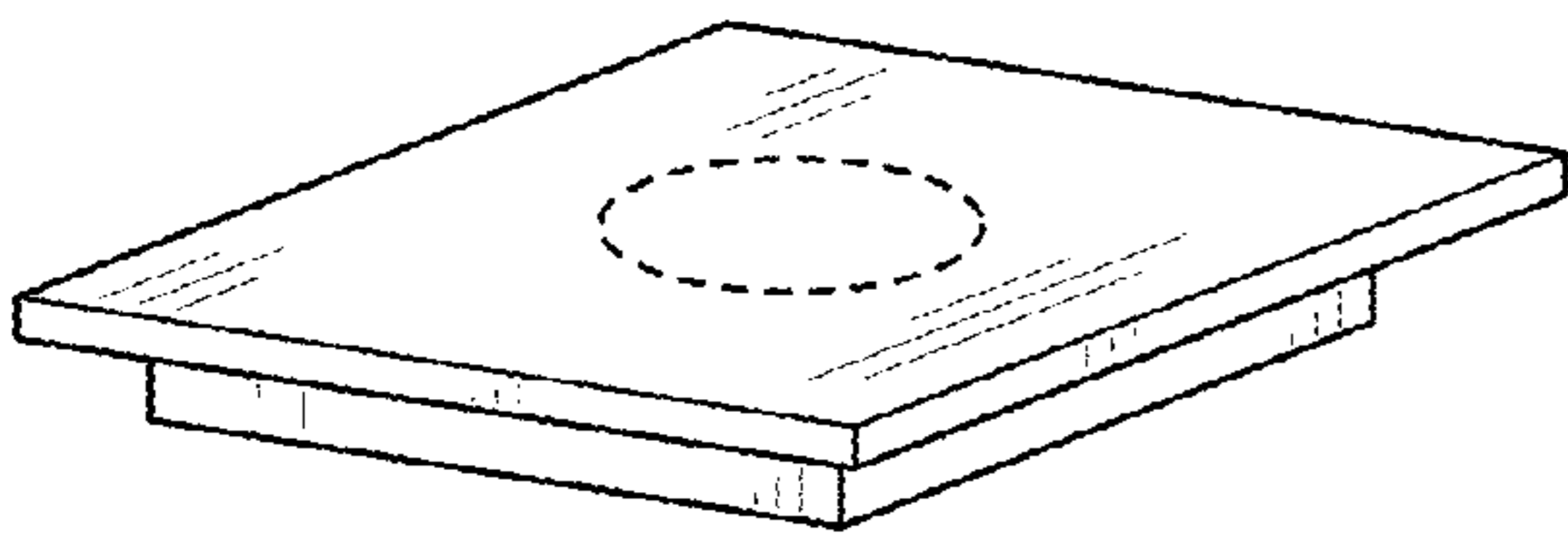


FIG. 3

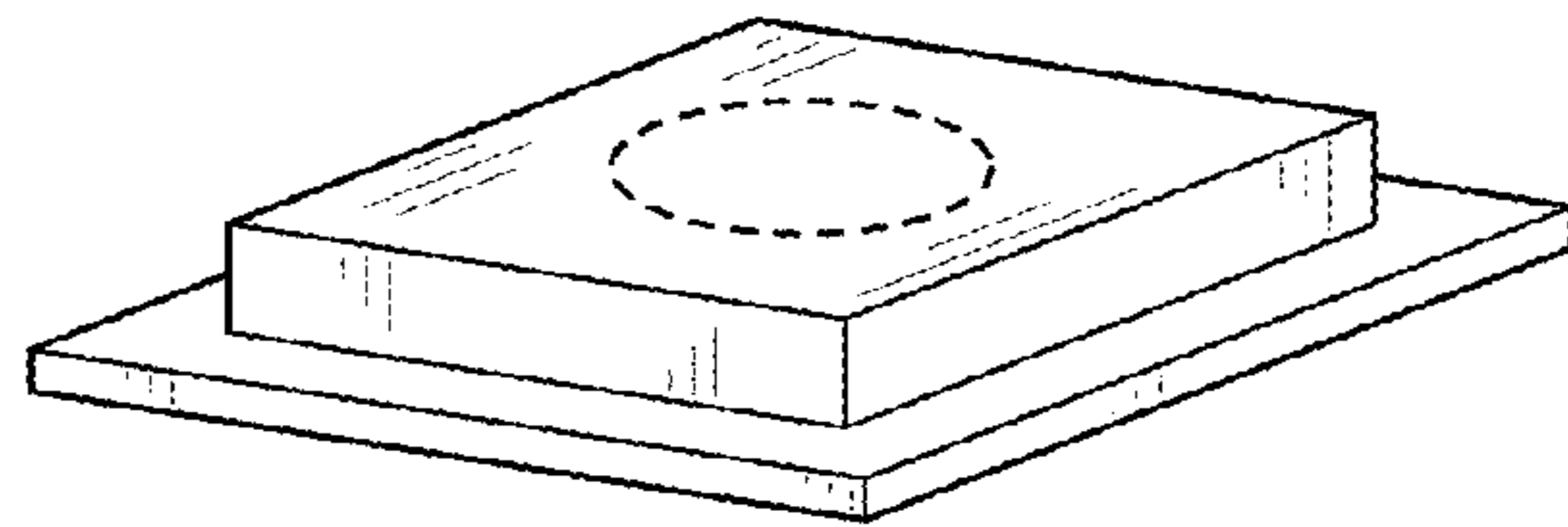


FIG. 4

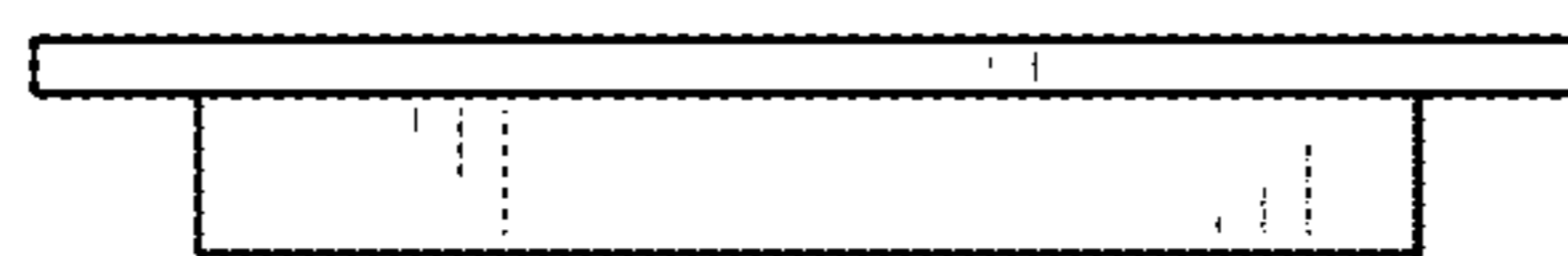


FIG. 5

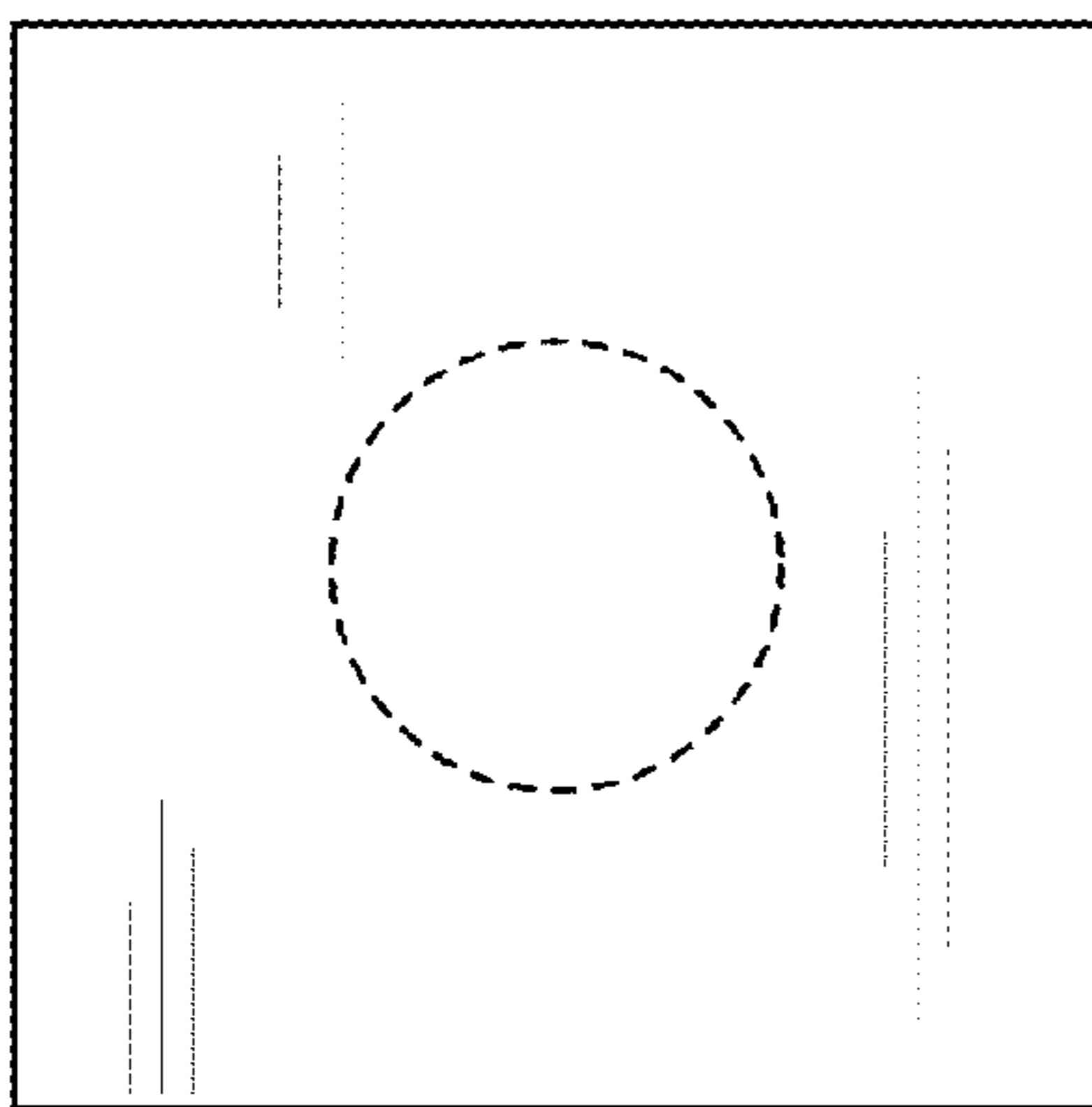


FIG. 6

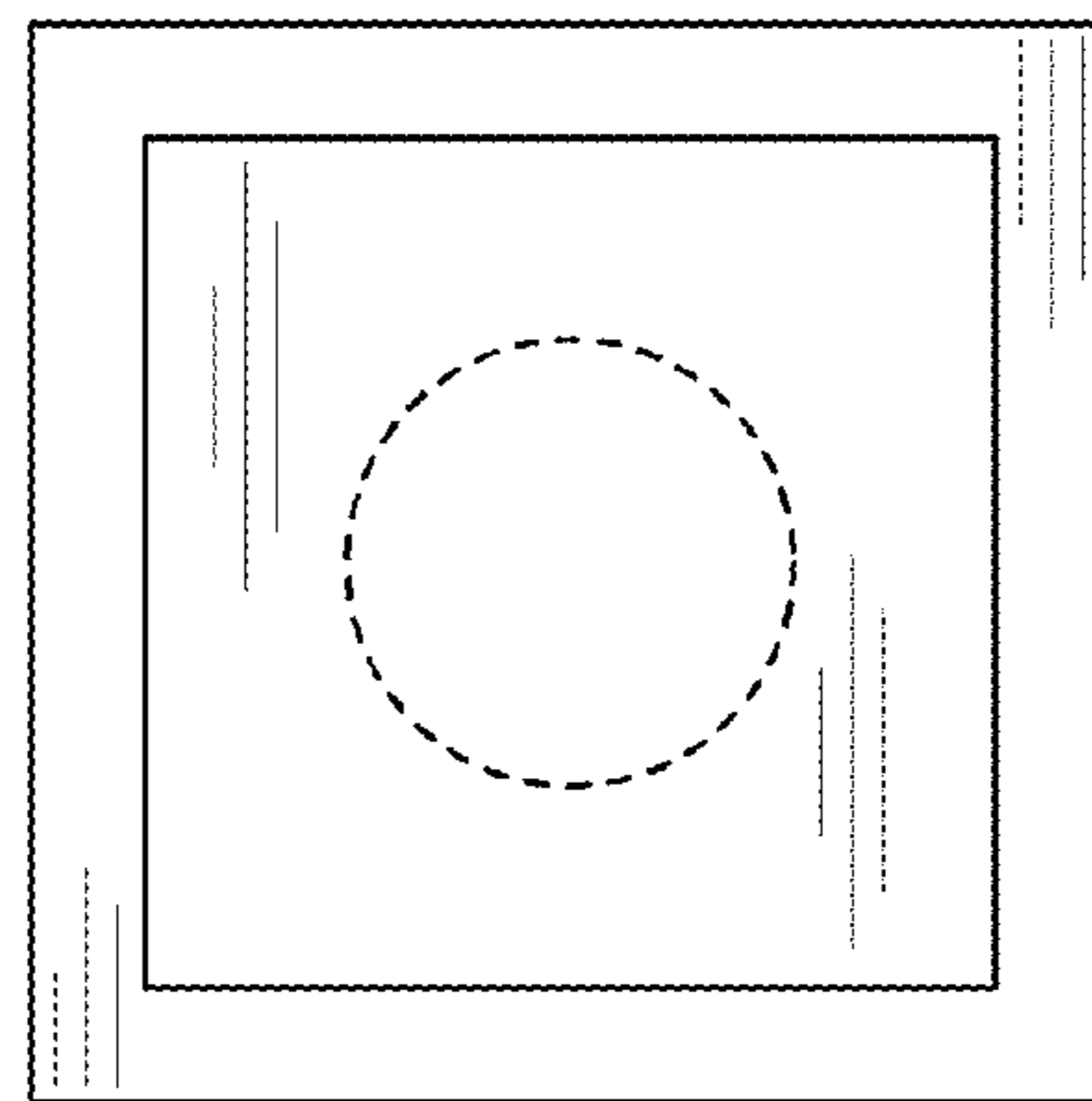


FIG. 7