



US00D777899S

(12) **United States Design Patent** (10) **Patent No.:** **US D777,899 S**
Wark (45) **Date of Patent:** **** Jan. 31, 2017**

(54) **PORTABLE FAN**
(71) Applicant: **Cynthia A. Wark**, Spring, TX (US)
(72) Inventor: **Cynthia A. Wark**, Spring, TX (US)
(**) Term: **15 Years**
(21) Appl. No.: **29/541,575**
(22) Filed: **Oct. 6, 2015**
(51) **LOC (10) Cl.** **23-04**
(52) **U.S. Cl.**
USPC **D23/370**
(58) **Field of Classification Search**
USPC D23/370, 355, 314, 414, 371, 377, 385,
D23/411, 383, 373, 378; 415/121.1;
D14/432
CPC F04D 29/329; F04D 29/526; F04D 25/082;
F04D 29/325; F04D 29/703; F04D
29/547; B65D 90/36; F23L 17/02; F24F
13/1406; F24F 1/02
See application file for complete search history.

(56) **References Cited**
U.S. PATENT DOCUMENTS
D157,659 S * 3/1950 Chapman D23/336
D257,491 S * 11/1980 Cousins D23/370

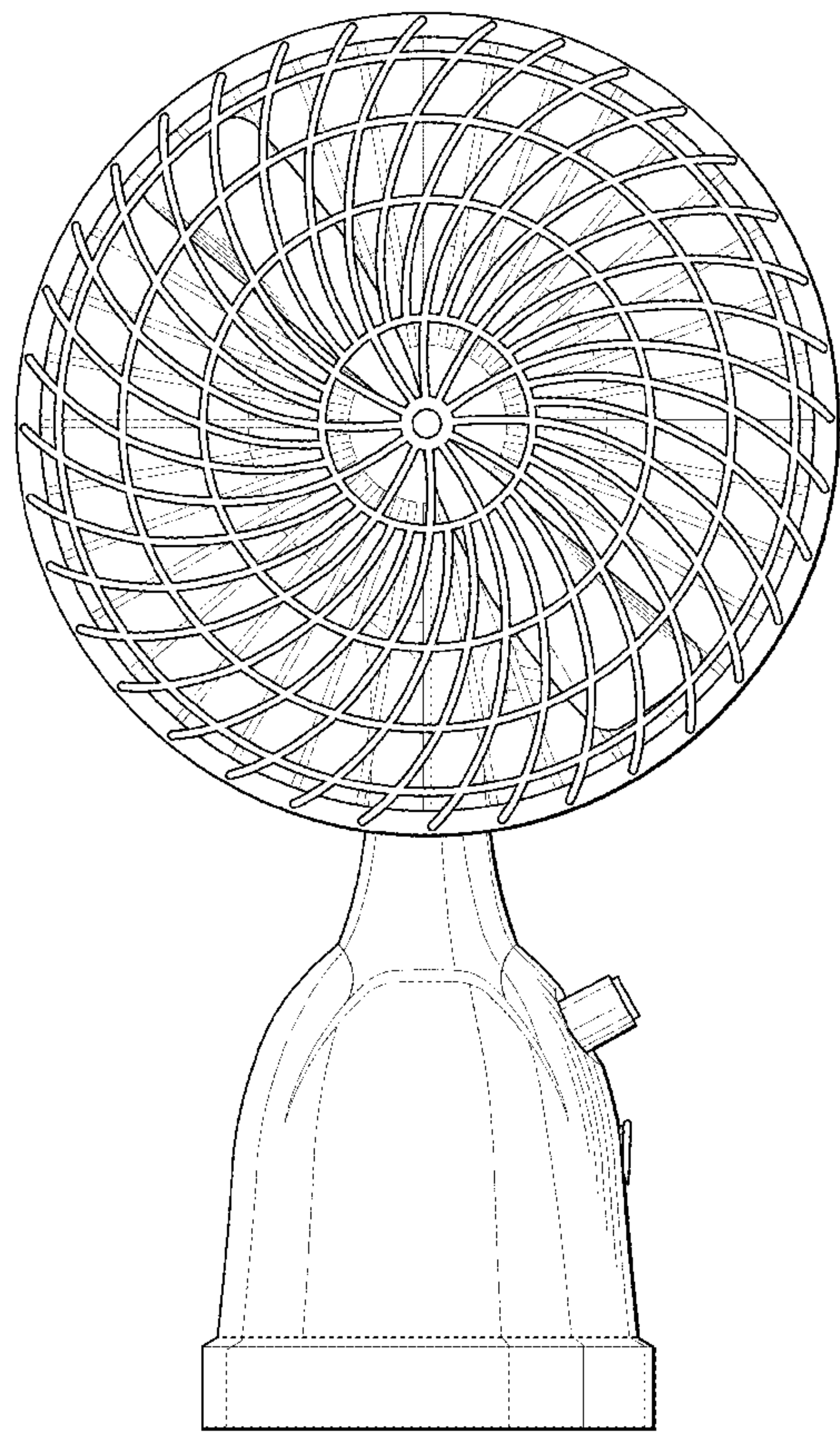
D311,783 S * 10/1990 Howard D28/13
D414,256 S * 9/1999 Thomas, Jr. D23/332
8,235,686 B2 8/2012 Wark
D692,996 S * 11/2013 Alexander D23/370
8,961,152 B2 2/2015 Wark et al.
D727,488 S * 4/2015 Hsu D23/382
D733,861 S * 7/2015 Haaf D23/370
D747,451 S * 1/2016 Badovick D23/370
2003/0059307 A1 * 3/2003 Moreno F04D 29/646
416/142
2008/0237900 A1 * 10/2008 Junkel F24F 5/0035
261/28

* cited by examiner
Primary Examiner — Cynthia Underwood
(74) *Attorney, Agent, or Firm* — Young Basile Hanlon & MacFarlane, P.C.

(57) **CLAIM**
The ornamental design for a portable fan, as shown.

DESCRIPTION
FIG. 1 is a rear view of a fan incorporating the new design;
FIG. 2 is a front view of the fan;
FIG. 3 is a right side view of the fan;
FIG. 4 is a left side view of the fan;
FIG. 5 is a top view of the fan; and,
FIG. 6 is a bottom view of the fan.

1 Claim, 5 Drawing Sheets



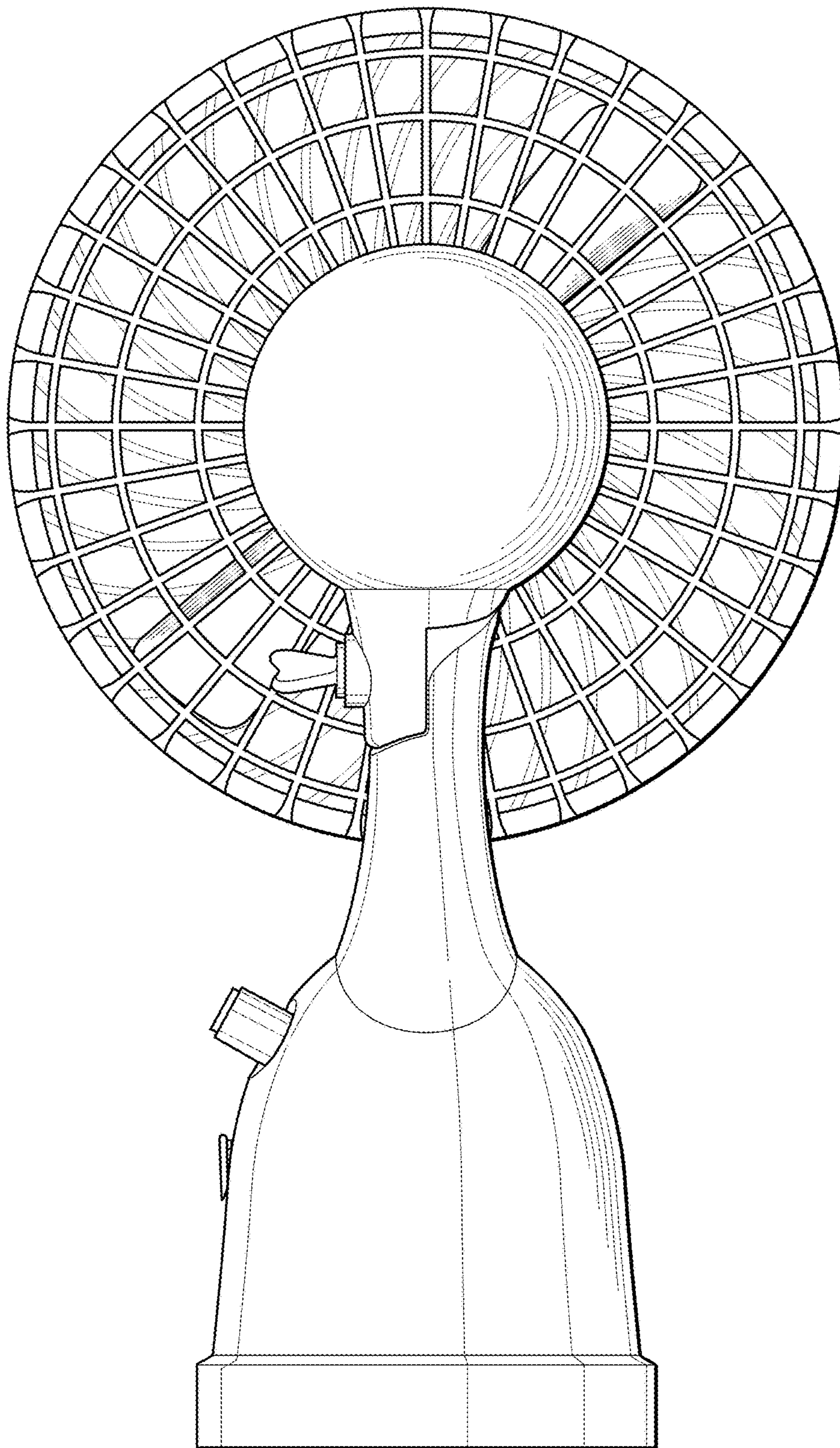


FIG. 1

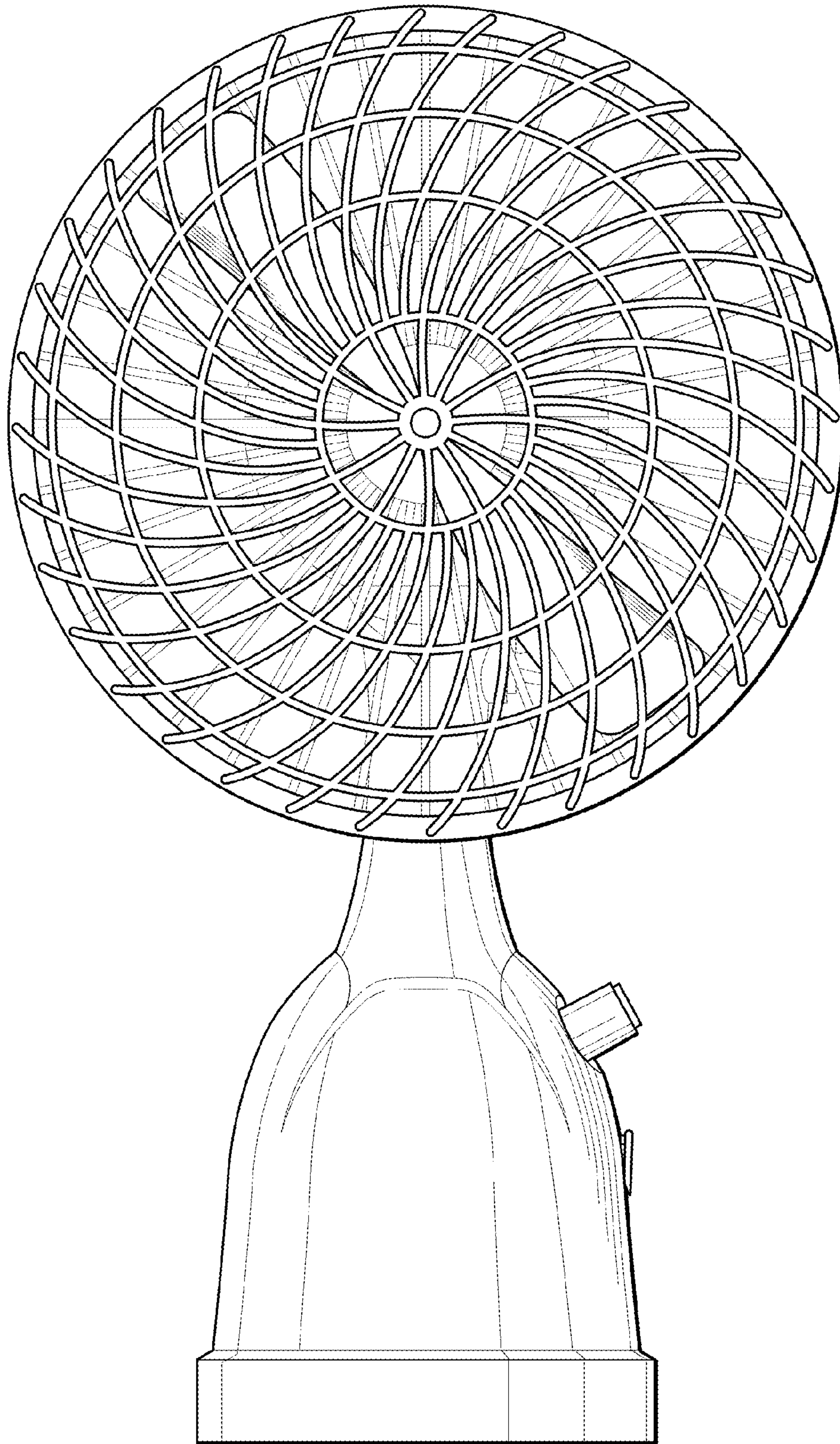


FIG. 2

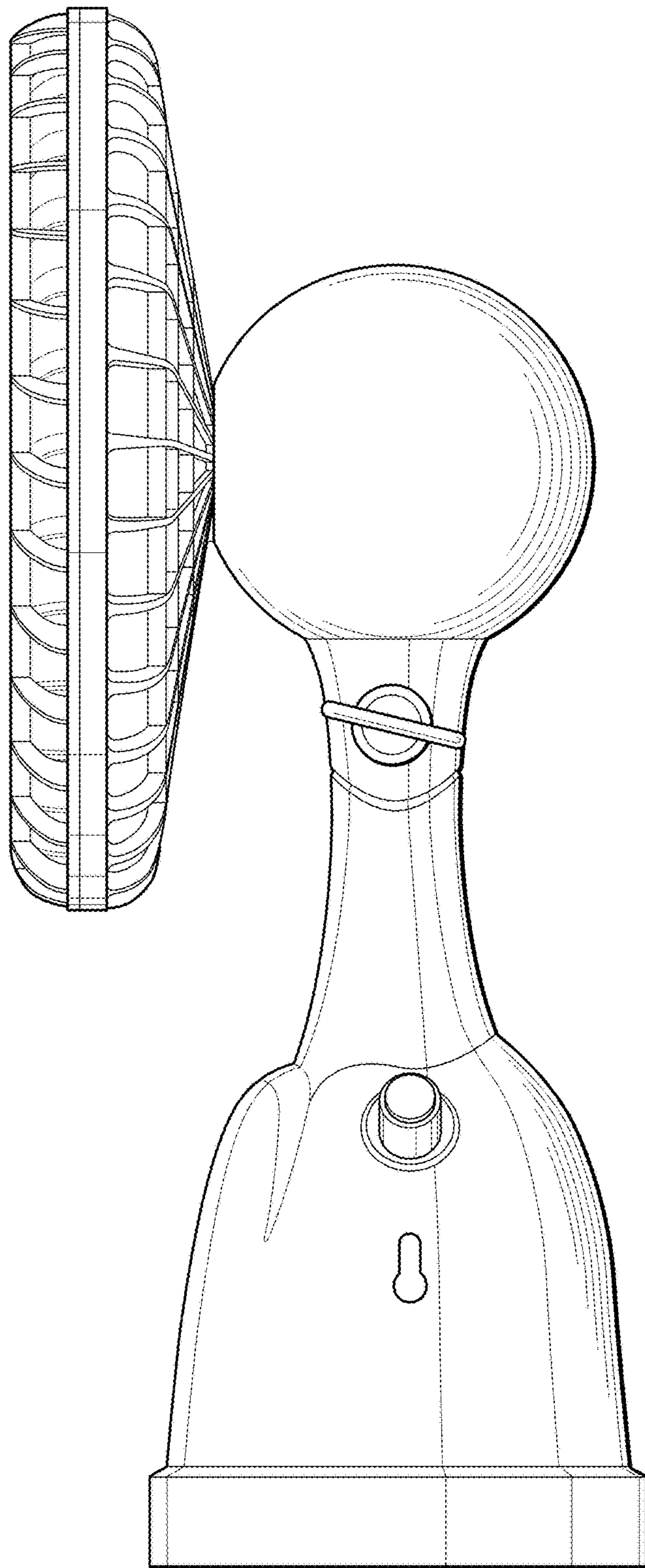


FIG. 3

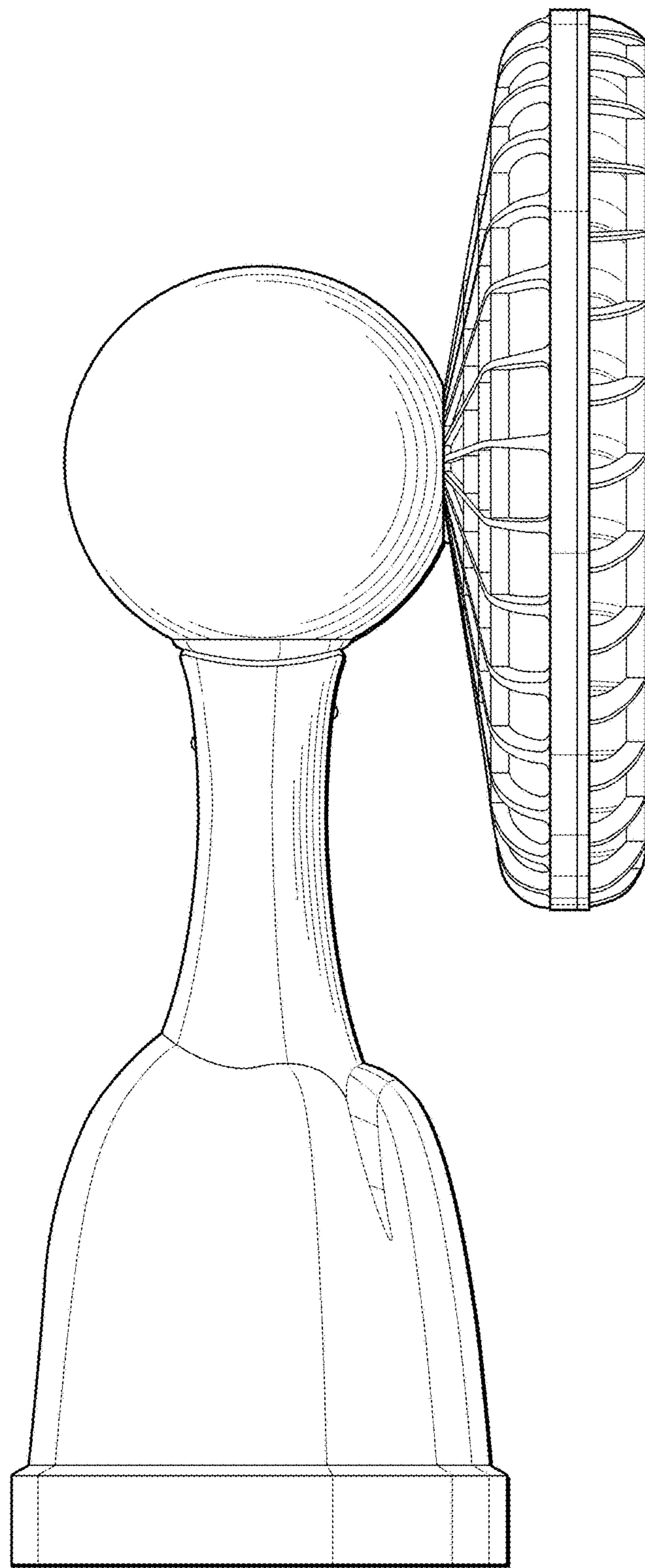


FIG. 4

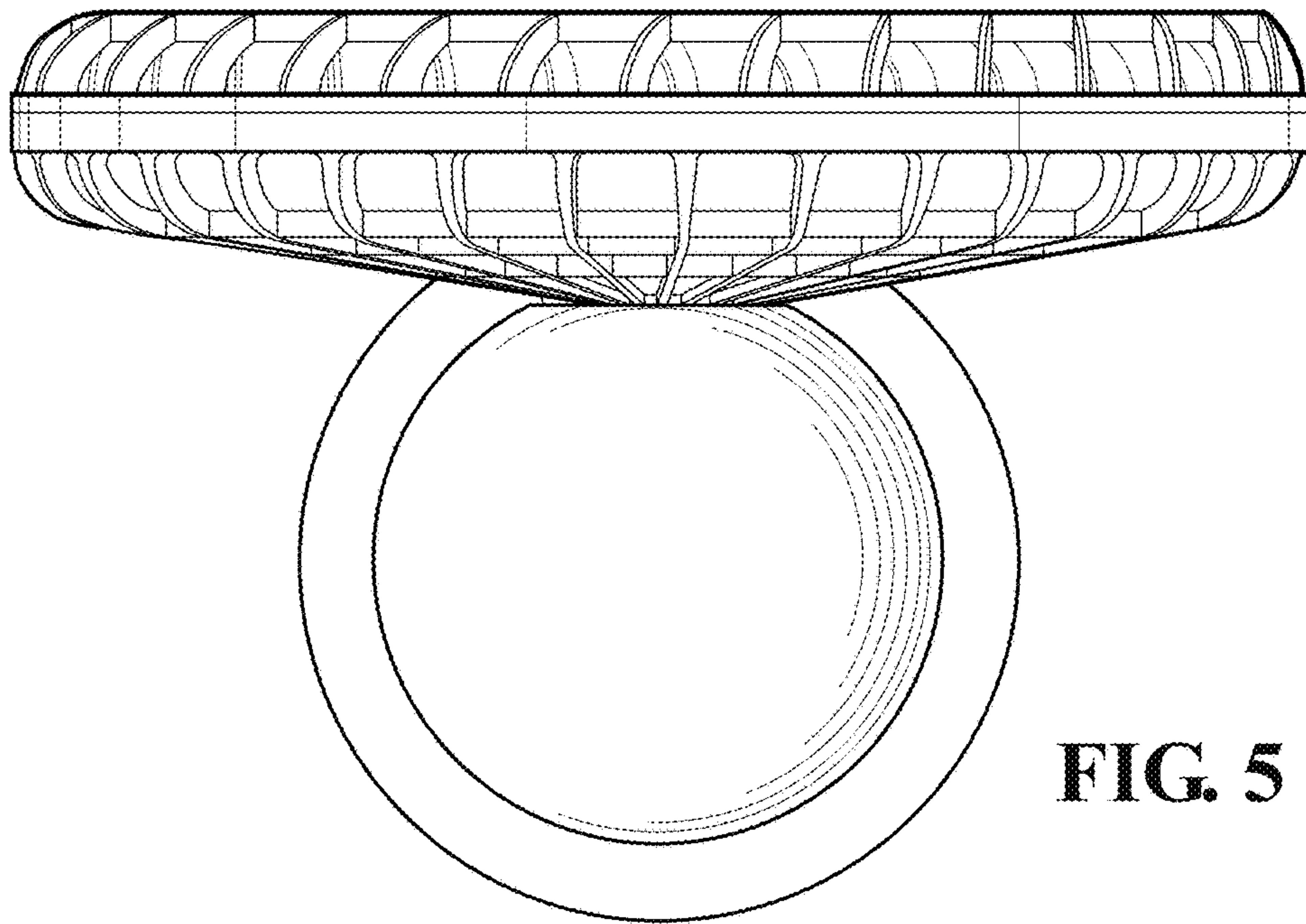


FIG. 5

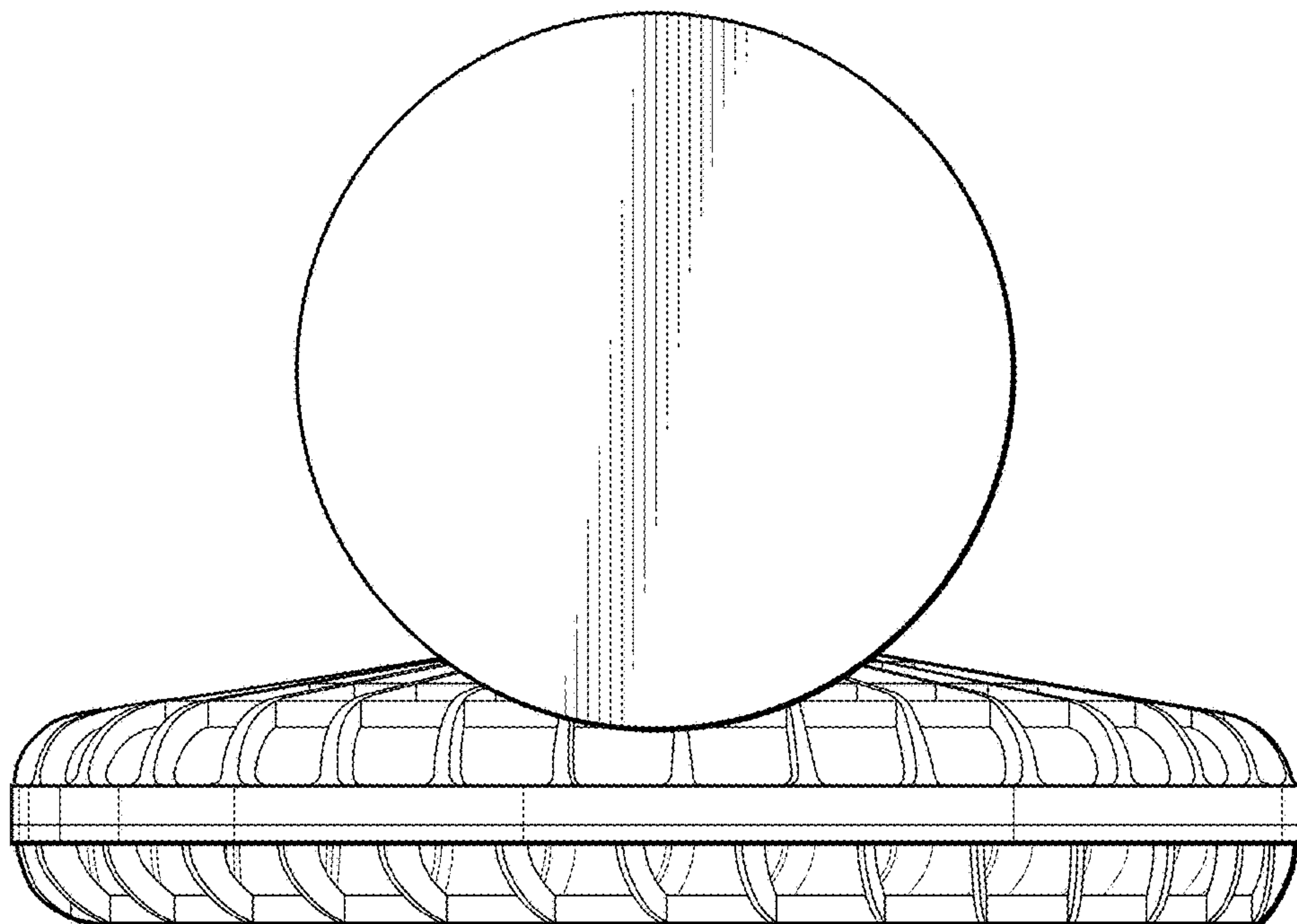


FIG. 6