



US00D777897S

(12) **United States Design Patent**
Rizzi et al.

(10) **Patent No.:** **US D777,897 S**
(45) **Date of Patent:** **** Jan. 31, 2017**

(54) **AIR CONDITIONER FRONT PANEL**

(71) Applicant: **Electrolux Home Products, Inc.**,
Charlotte, NC (US)

(72) Inventors: **Saba Rizzi**, Charlotte, NC (US); **Kim Michel**, Stockholm (SE); **Michael Edenius**, Stockholm (SE); **Emme Copparstad**, Stockholm (SE)

(73) Assignee: **Electrolux Home Products, Inc.**,
Charlotte, NC (US)

(**) Term: **15 Years**

(21) Appl. No.: **29/529,372**

(22) Filed: **Jun. 5, 2015**

(51) **LOC (10) Cl.** **23-04**

(52) **U.S. Cl.**
USPC **D23/354**

(58) **Field of Classification Search**
USPC D23/333, 335, 341, 342, 351, 353,
D23/354, 355, 356, 359, 364, 365, 370,
D23/385, 386, 388, 393
CPC F24F 1/00; F24F 1/0007; F24F 1/02;
F24F 1/08; F24F 1/42; F24F 1/56; F24F
1/60; F24F 3/044; F24F 3/048; F24F 3/16;
F24F 7/00; F24F 7/04; F24F
12/001; F24F 12/006
See application file for complete search history.

(56) **References Cited**

U.S. PATENT DOCUMENTS

D173,248 S	10/1954	Wilson	
D275,030 S	* 8/1984	Bowen	D23/351
D277,309 S	1/1985	Yamamoto	
D306,062 S	2/1990	Moritani	
D310,411 S	9/1990	Lapychak et al.	
D360,458 S	* 7/1995	McColgin	D23/353
D382,634 S	8/1997	Jane et al.	

D402,021 S	12/1998	Allen et al.	
D417,724 S	12/1999	Okamoto et al.	
D433,492 S	11/2000	Oya et al.	
D453,957 S	2/2002	Oya et al.	
D455,825 S	4/2002	Moretti et al.	
D456,068 S	4/2002	Oya et al.	
D523,542 S	6/2006	Oh et al.	
D523,942 S	6/2006	Yamagami	
D523,944 S	* 6/2006	Oh	D23/353
D523,945 S	6/2006	Oh et al.	
D524,432 S	7/2006	Oh et al.	
D534,261 S	* 12/2006	Oh	D23/353
D534,638 S	* 1/2007	Ryu	D23/353
D539,890 S	4/2007	Jeong et al.	

(Continued)

FOREIGN PATENT DOCUMENTS

CA	85892 A	3/1904
CA	94390 A	7/1905

(Continued)

Primary Examiner — George D. Kirschbaum

Assistant Examiner — Natasha Vujcic

(74) *Attorney, Agent, or Firm* — Banner & Witcoff, Ltd.

(57) **CLAIM**

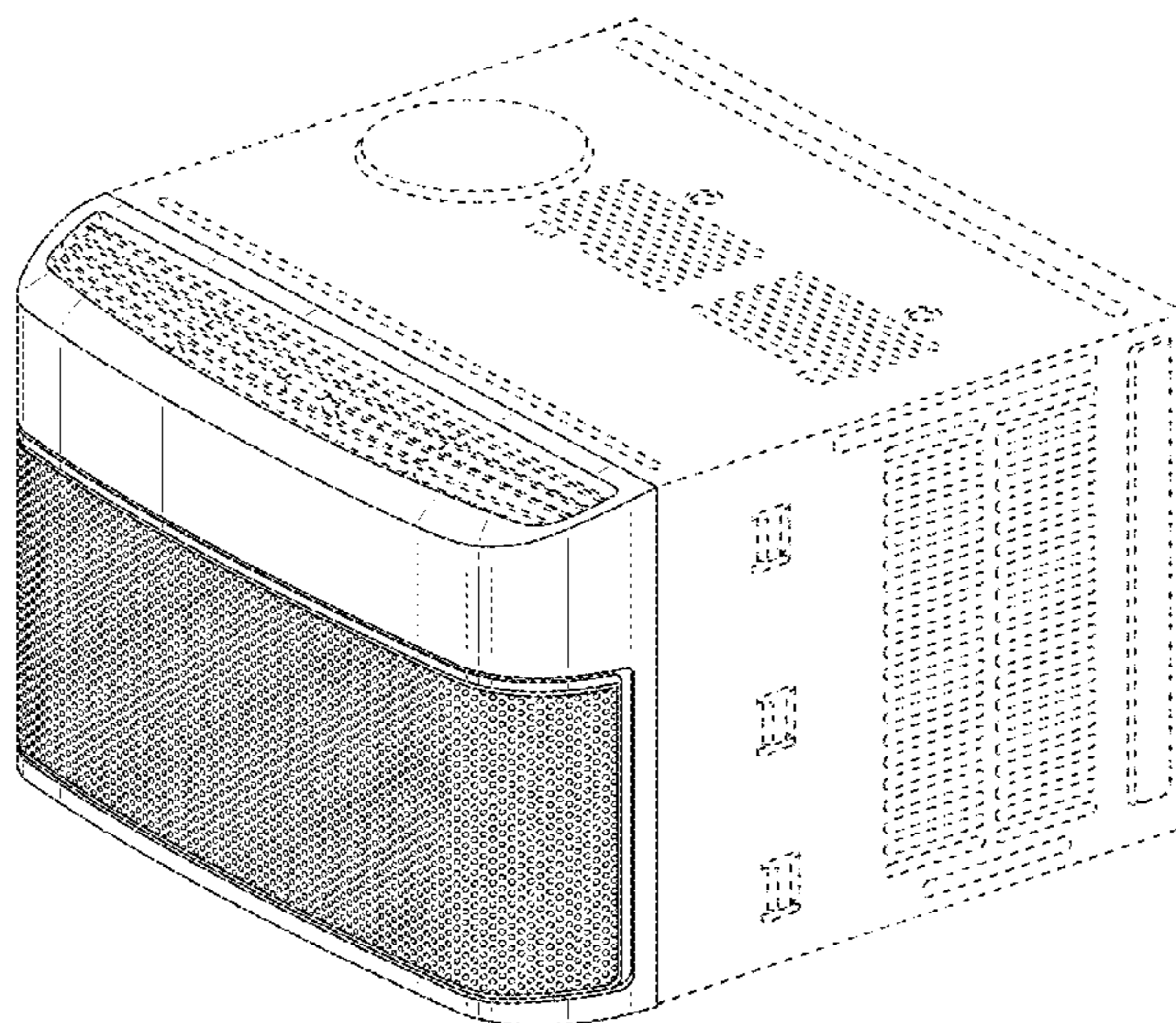
The ornamental design for an air conditioner front panel, as shown and described.

DESCRIPTION

FIG. 1 is a perspective view of an air conditioner front panel showing our new design;
FIG. 2 is a front view thereof;
FIG. 3 is a rear view thereof;
FIG. 4 is a left side view thereof;
FIG. 5 is a right side view thereof;
FIG. 6 is a top plan view thereof; and,
FIG. 7 is a bottom view thereof.

The broken lines in the drawings illustrates portions of the top vent and body of the air conditioner front panel which form no part of the claimed design.

1 Claim, 7 Drawing Sheets



(56)

References Cited

U.S. PATENT DOCUMENTS

D557,782 S * 12/2007 Choi D23/351
D558,868 S * 1/2008 Choi D23/353
D563,386 S * 3/2008 Foster D14/214
D568,976 S 5/2008 Choi et al.
D570,464 S 6/2008 Normark
D578,105 S * 10/2008 Komiyama D14/214
D581,510 S 11/2008 Albano et al.
D589,605 S 3/2009 Reedy et al.
D595,822 S 7/2009 Chiu
D657,037 S 4/2012 Lo
D708,729 S 7/2014 Platt
D713,951 S 9/2014 Jepson
D723,675 S 3/2015 Paskow
D735,843 S * 8/2015 Sunwoo D23/333
D739,845 S * 9/2015 Hwang D14/214
D753,888 S * 4/2016 Borjesson D32/6
2002/0171337 A1 * 11/2002 Moretti F24F 13/20
312/236

FOREIGN PATENT DOCUMENTS

CA 109378 A 12/1907
CA 128335 A 9/1910
EM 0023039410002 9/2013

* cited by examiner

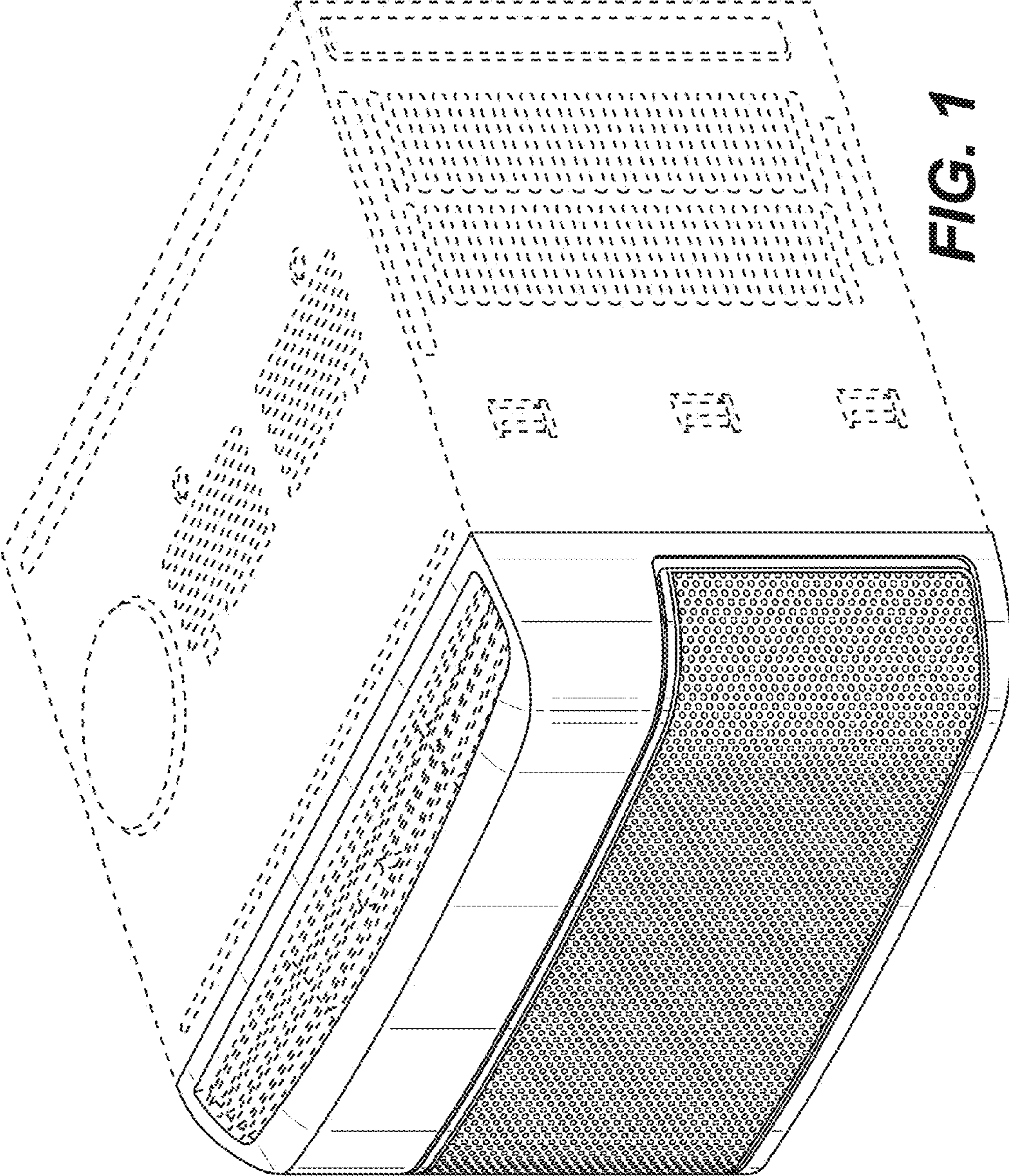


FIG. 1

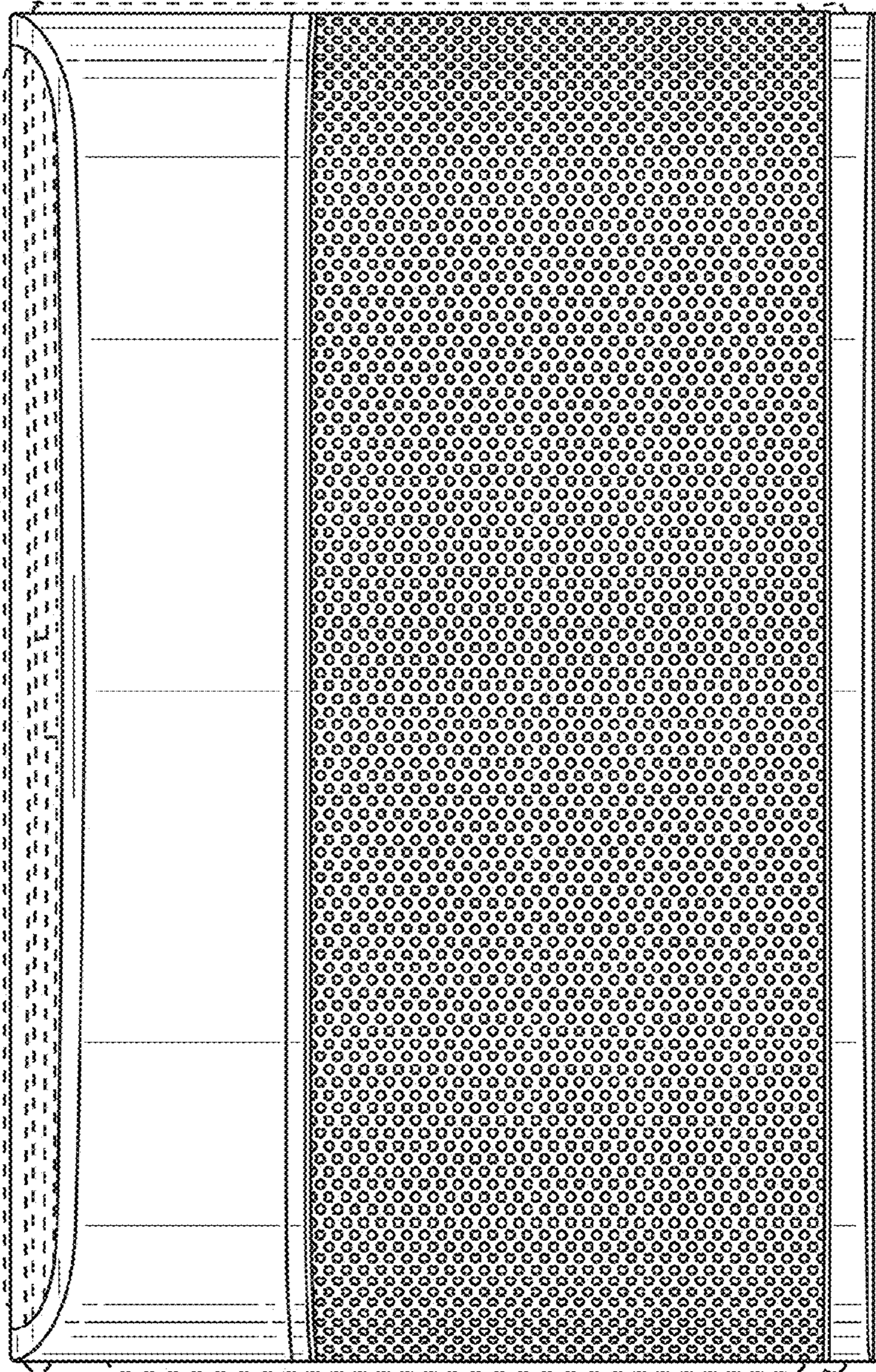


FIG. 2

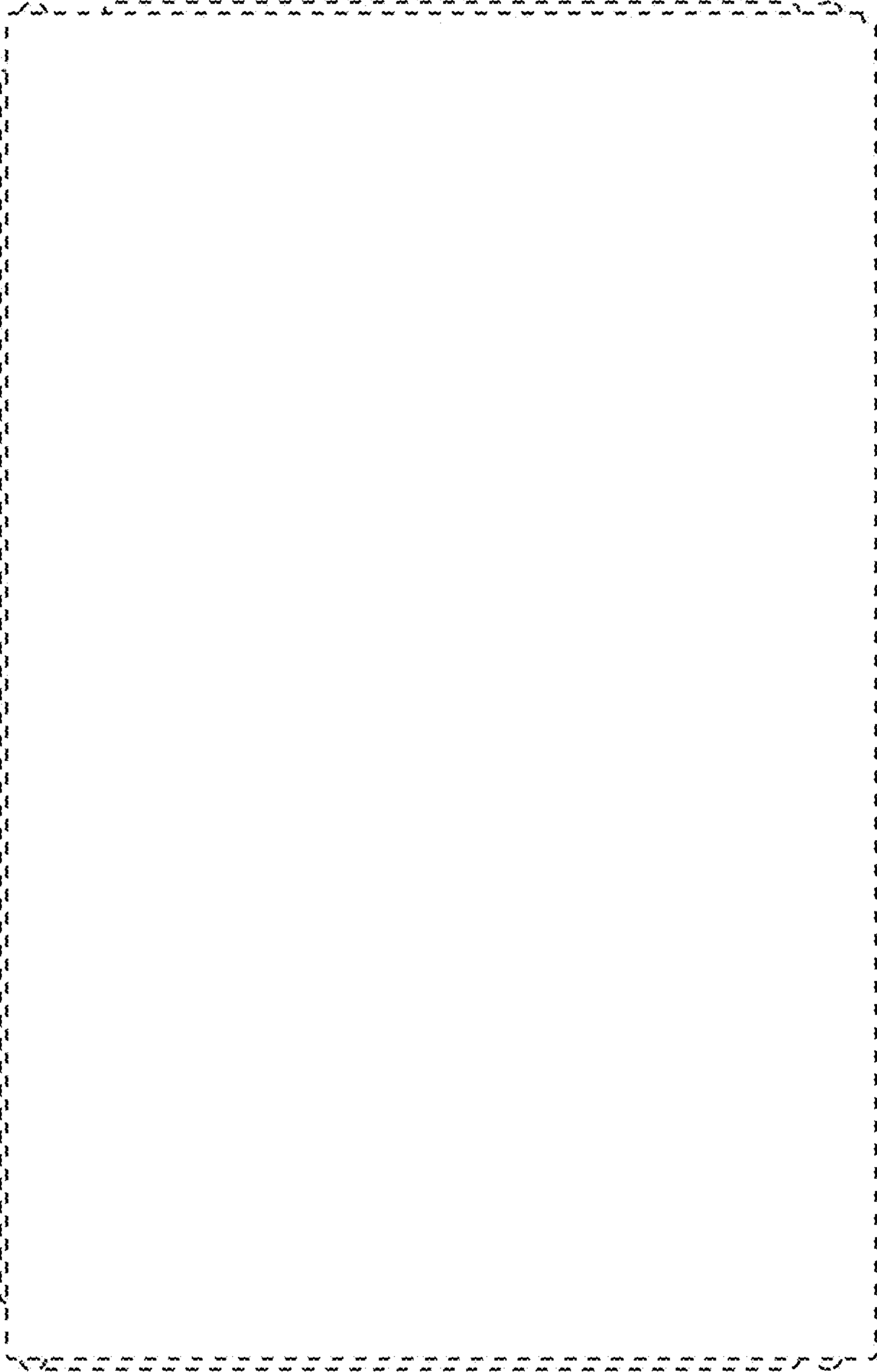


FIG. 3

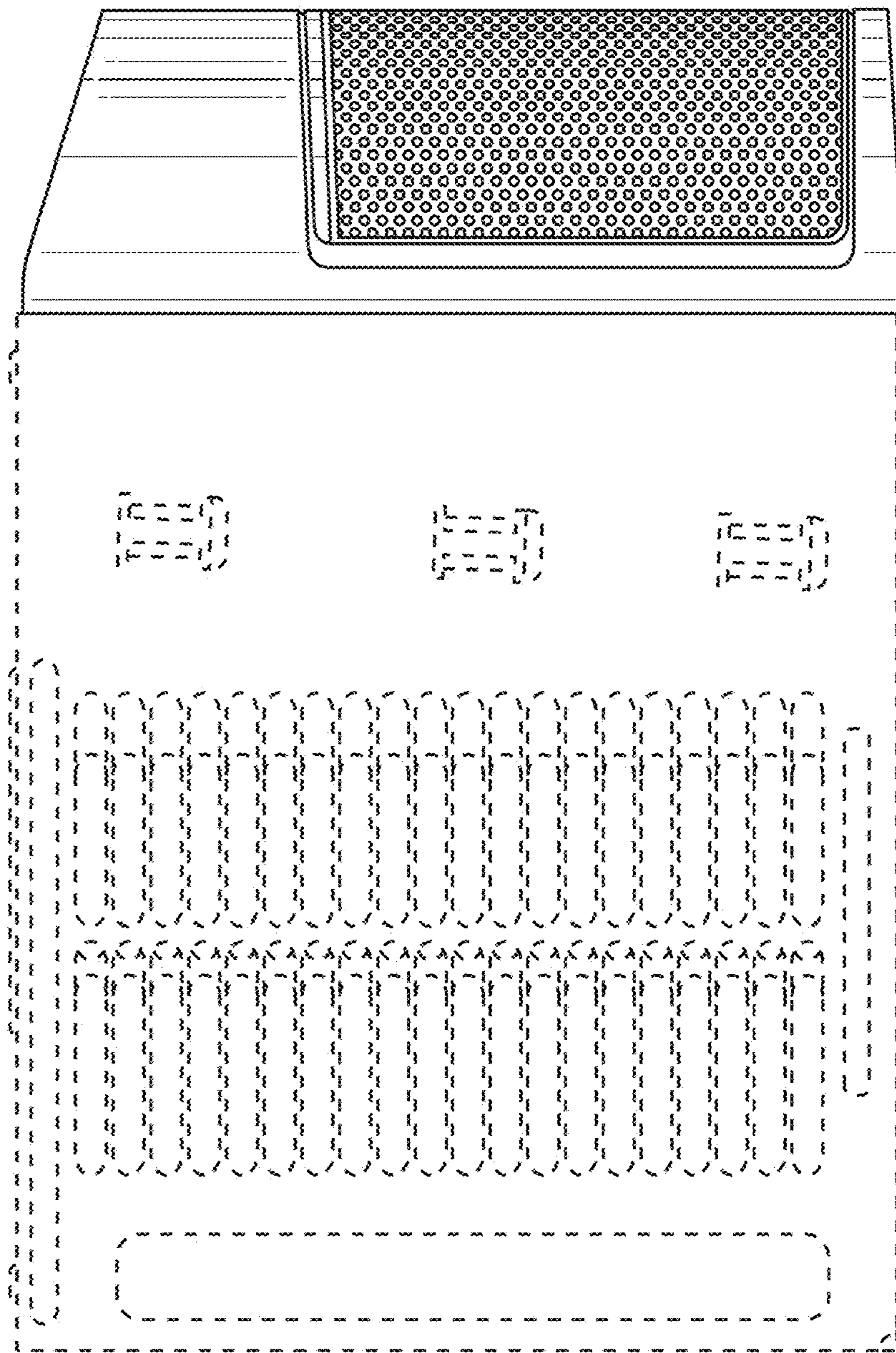


FIG. 4

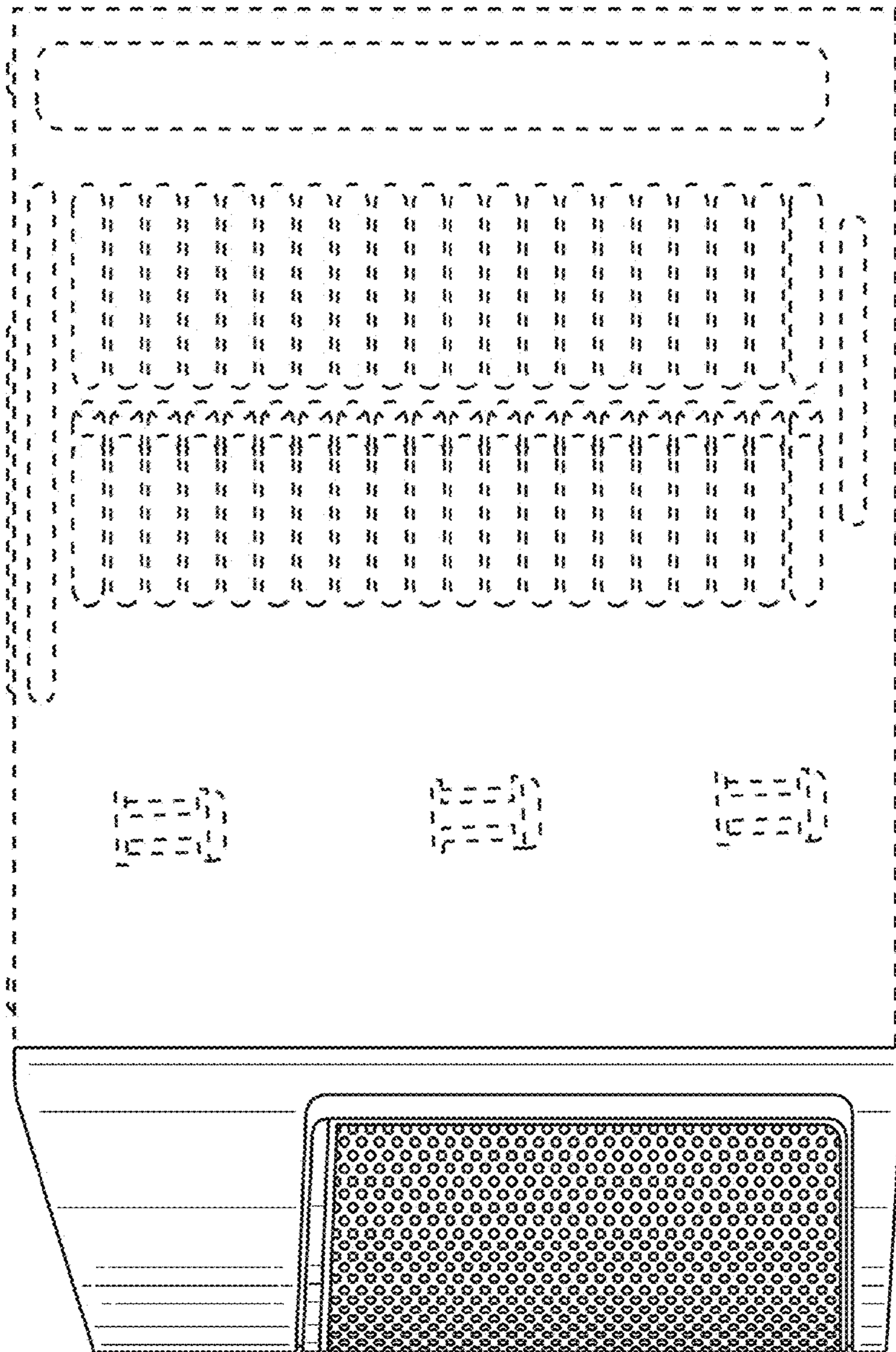


FIG. 5

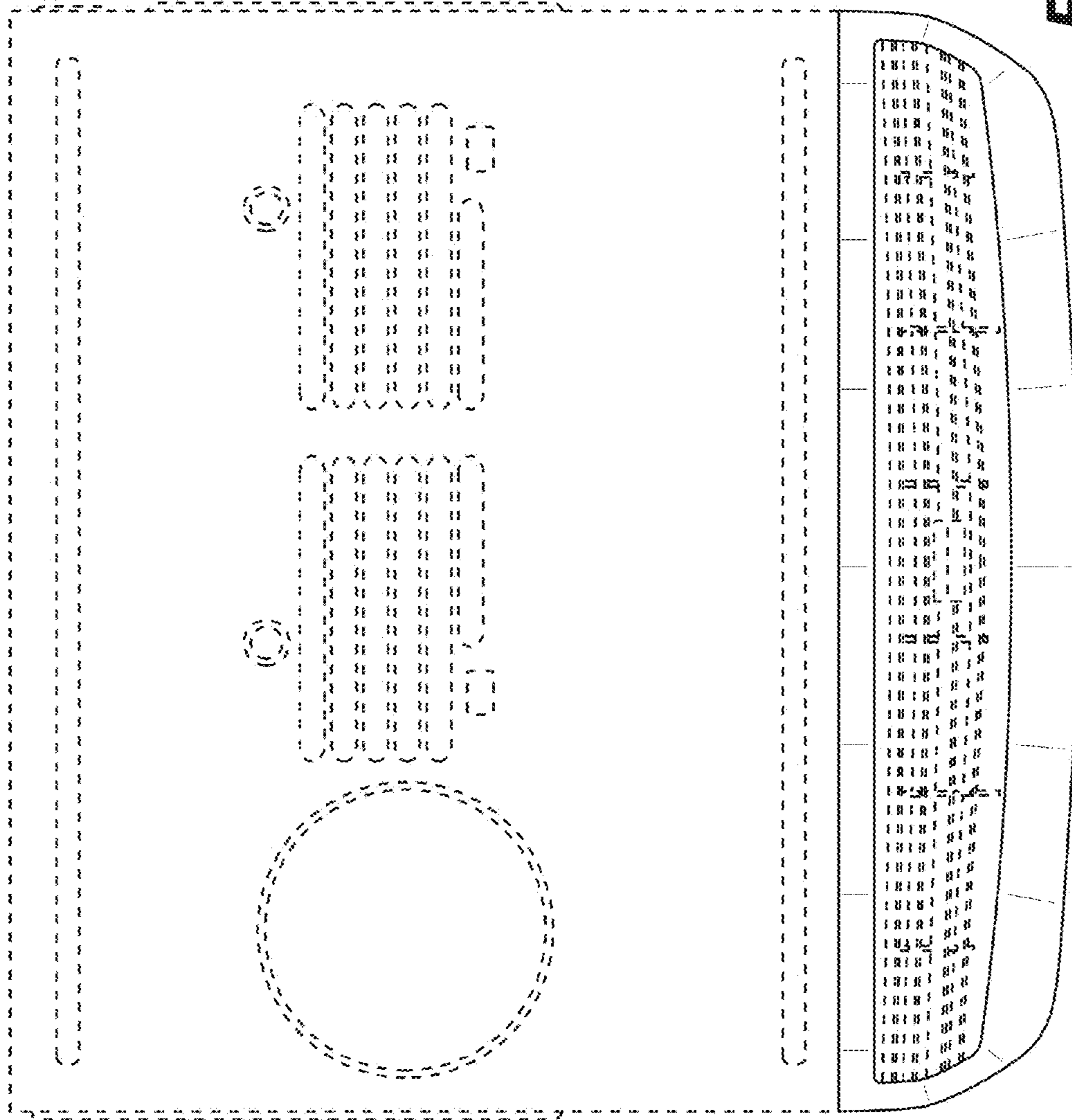


FIG. 6

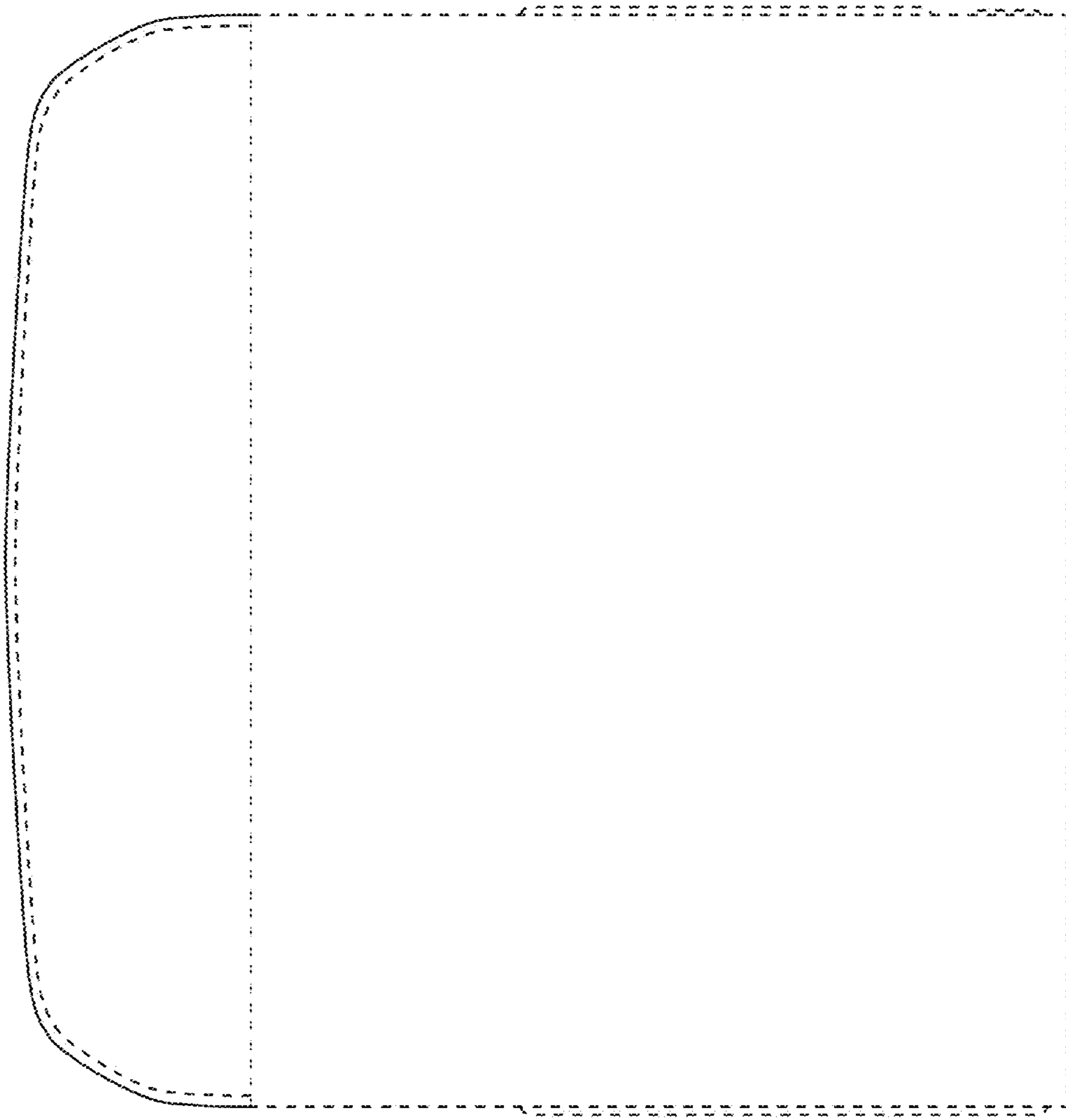


FIG. 7