



US00D777896S

(12) **United States Design Patent** (10) **Patent No.:** **US D777,896 S**
Rizzi et al. (45) **Date of Patent:** **** Jan. 31, 2017**

(54) **AIR CONDITIONER FRONT PANEL**

(71) Applicant: **Electrolux Home Products, Inc.**,
Charlotte, NC (US)

(72) Inventors: **Saba Rizzi**, Charlotte, NC (US); **Kim Michel**, Stockholm (SE); **Michael Edenius**, Stockholm (SE); **Emme Copparstad**, Stockholm (SE)

(73) Assignee: **Electrolux Home Products, Inc.**,
Charlotte, NC (US)

(**) Term: **15 Years**

(21) Appl. No.: **29/529,367**

(22) Filed: **Jun. 5, 2015**

(51) **LOC (10) Cl.** **23-04**

(52) **U.S. Cl.**
USPC **D23/354**

(58) **Field of Classification Search**
USPC D23/333, 335, 341, 342, 351, 353, 354,
D23/355, 356, 359, 364, 365, 370, 385,
D23/386, 388, 393
CPC F24F 1/00; F24F 1/0007; F24F 1/02;
F24F 1/08; F24F 1/42; F24F 1/56; F24F
1/60; F24F 3/044; F24F 3/048; F24F 3/16;
F24F 7/00; F24F 7/04; F24F
12/001; F24F 12/006

See application file for complete search history.

(56) **References Cited**

U.S. PATENT DOCUMENTS

D173,248 S 10/1954 Wilson
D275,030 S * 8/1984 Bowen D23/351
D277,309 S 1/1985 Yamamoto
D306,062 S 2/1990 Moritani
D310,411 S 9/1990 Lapychak et al.
D360,458 S * 7/1995 McColgin D23/353
D382,634 S 8/1997 Jane et al.
D402,021 S 12/1998 Allen et al.

D417,724 S 12/1999 Okamoto et al.
D433,492 S 11/2000 Oya et al.
D453,957 S 2/2002 Oya et al.
D455,825 S 4/2002 Moretti et al.
D456,068 S 4/2002 Oya et al.
D523,542 S 6/2006 Oh et al.
D523,942 S 6/2006 Yamagami
D523,944 S * 6/2006 Oh D23/353
D523,945 S 6/2006 Oh et al.

(Continued)

FOREIGN PATENT DOCUMENTS

CA 85892 A 3/1904
CA 94390 A 7/1905

(Continued)

OTHER PUBLICATIONS

U.S. Appl. No. 29/529,372, filed Jun. 5, 2015.

Primary Examiner — George D. Kirschbaum

Assistant Examiner — Natasha Vujcic

(74) *Attorney, Agent, or Firm* — Banner & Witcoff, Ltd.

(57) **CLAIM**

The ornamental design for an air conditioner front panel, as shown and described.

DESCRIPTION

FIG. 1 is a perspective view of an air conditioner front panel showing our new design;

FIG. 2 is a front view thereof;

FIG. 3 is a rear view thereof;

FIG. 4 is a left side view thereof;

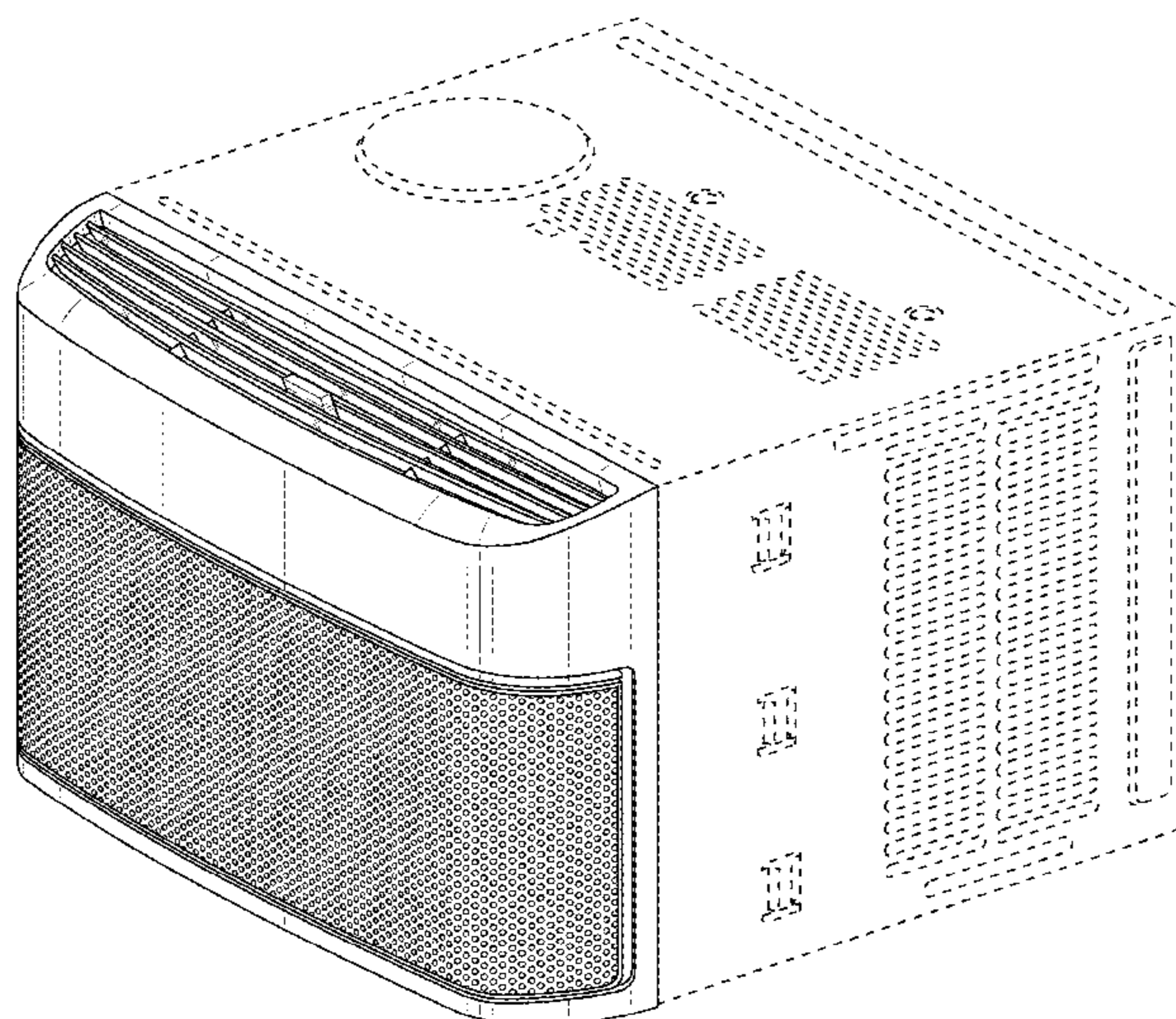
FIG. 5 is a right side view thereof;

FIG. 6 is a top plan view thereof; and,

FIG. 7 is a bottom view thereof.

The broken lines in the drawings illustrate portions of the top vent and the environment of the air conditioner front panel which form no part of the claimed design.

1 Claim, 7 Drawing Sheets



(56)

References Cited

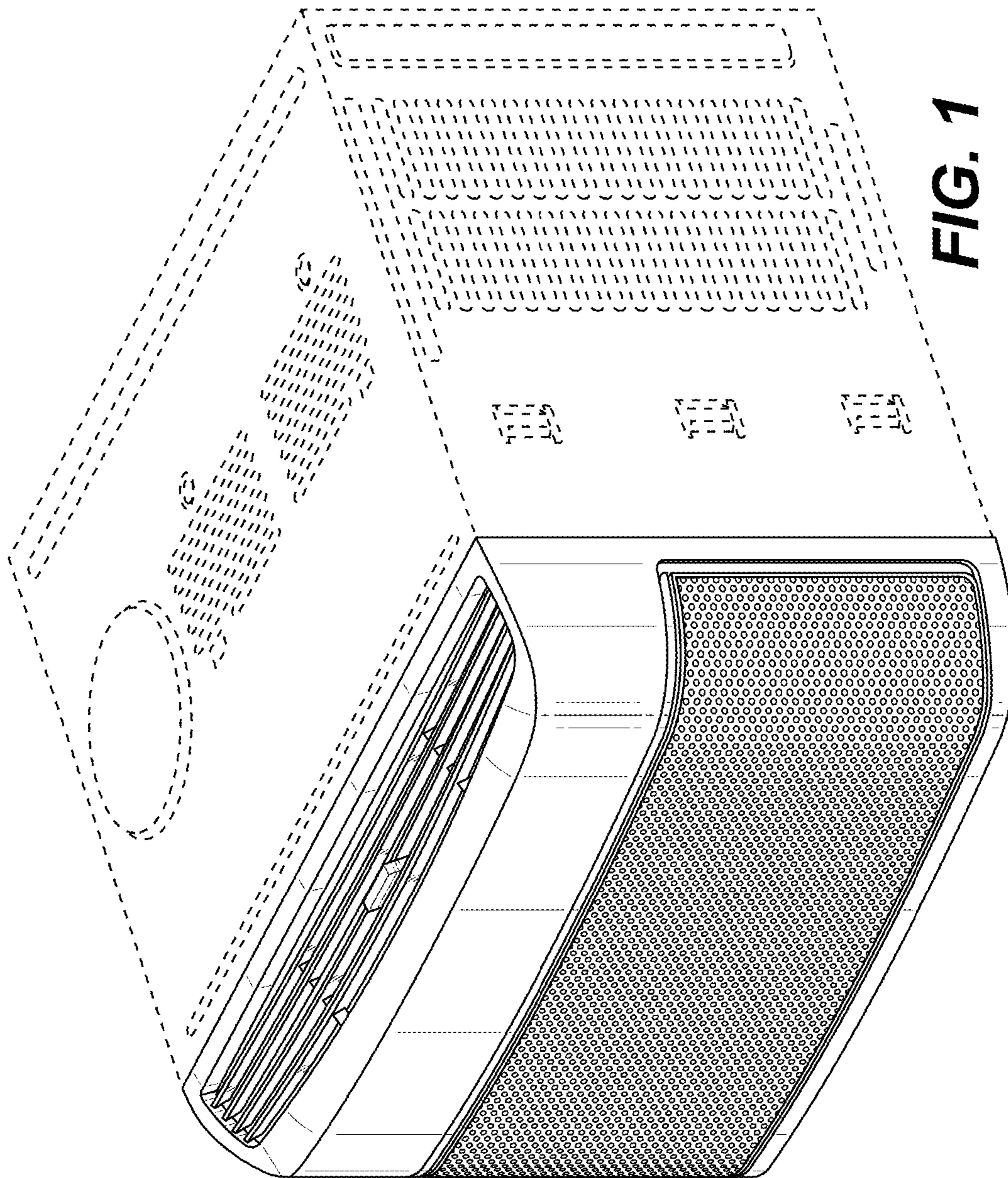
U.S. PATENT DOCUMENTS

| | | | | |
|--------------|------|---------|-----------------|-----------------------|
| D524,432 | S | 7/2006 | Oh et al. | |
| D534,261 | S * | 12/2006 | Oh | D23/353 |
| D534,638 | S * | 1/2007 | Ryu | D23/353 |
| D539,890 | S | 4/2007 | Jeong et al. | |
| D557,782 | S * | 12/2007 | Choi | D23/351 |
| D558,868 | S * | 1/2008 | Choi | D23/353 |
| D563,386 | S * | 3/2008 | Foster | D14/214 |
| D568,976 | S | 5/2008 | Choi et al. | |
| D570,464 | S | 6/2008 | Normark | |
| D578,105 | S * | 10/2008 | Komiyama | D14/214 |
| D581,510 | S | 11/2008 | Albano et al. | |
| D589,605 | S | 3/2009 | Reedy et al. | |
| D595,822 | S | 7/2009 | Chiu | |
| D657,037 | S | 4/2012 | Lo | |
| D708,729 | S | 7/2014 | Platt | |
| D713,951 | S | 9/2014 | Jepson | |
| D723,675 | S | 3/2015 | Paskow | |
| D735,843 | S * | 8/2015 | Sunwoo | D23/333 |
| D739,845 | S * | 9/2015 | Hwang | D14/214 |
| D753,888 | S * | 4/2016 | Borjesson | D32/6 |
| 2002/0171337 | A1 * | 11/2002 | Moretti | F24F 13/20 312/236 |

FOREIGN PATENT DOCUMENTS

| | | | |
|----|---------------|---|---------|
| CA | 109378 | A | 12/1907 |
| CA | 128335 | A | 9/1910 |
| EM | 0023039410002 | | 9/2013 |

* cited by examiner



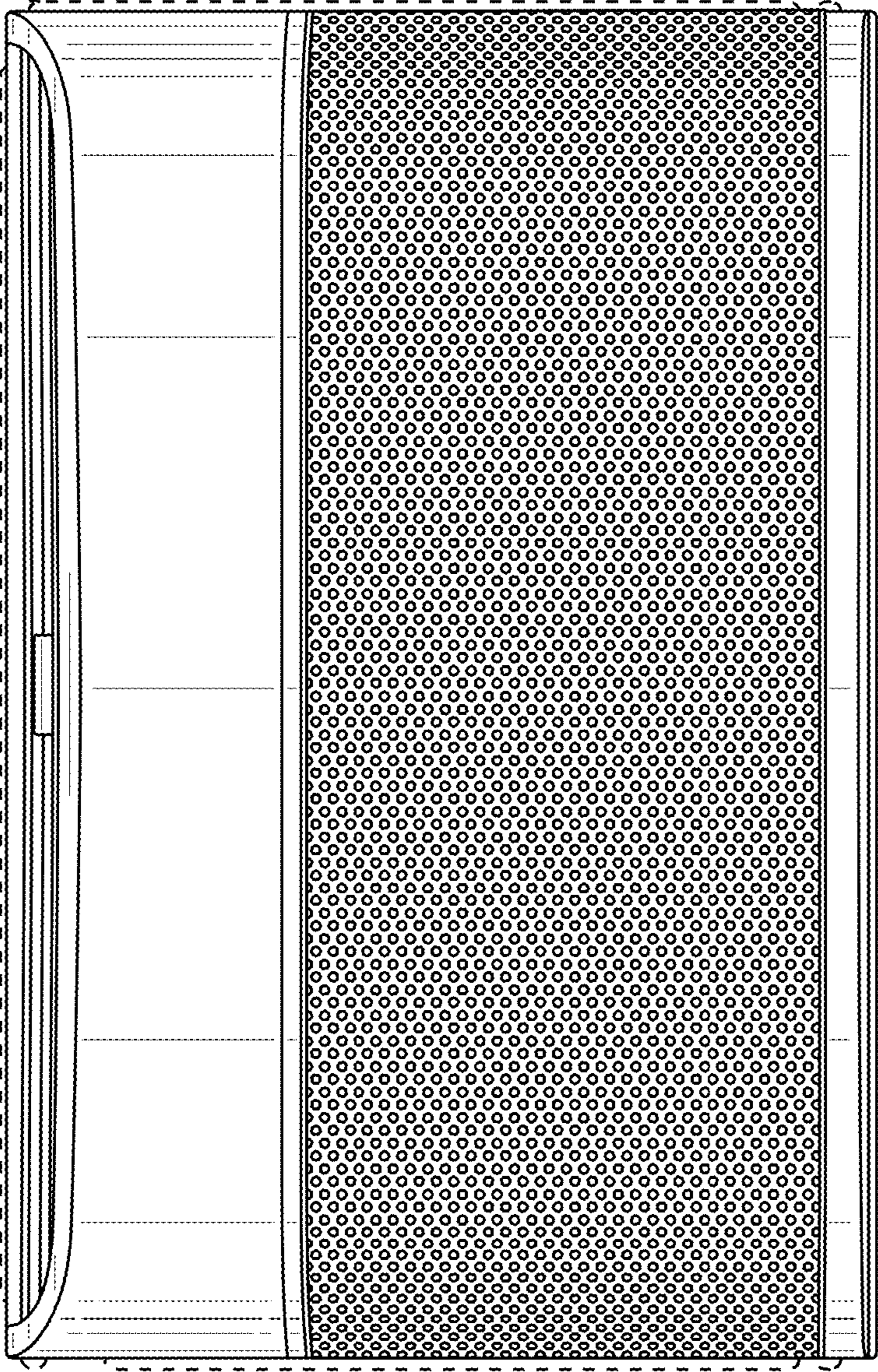


FIG. 2

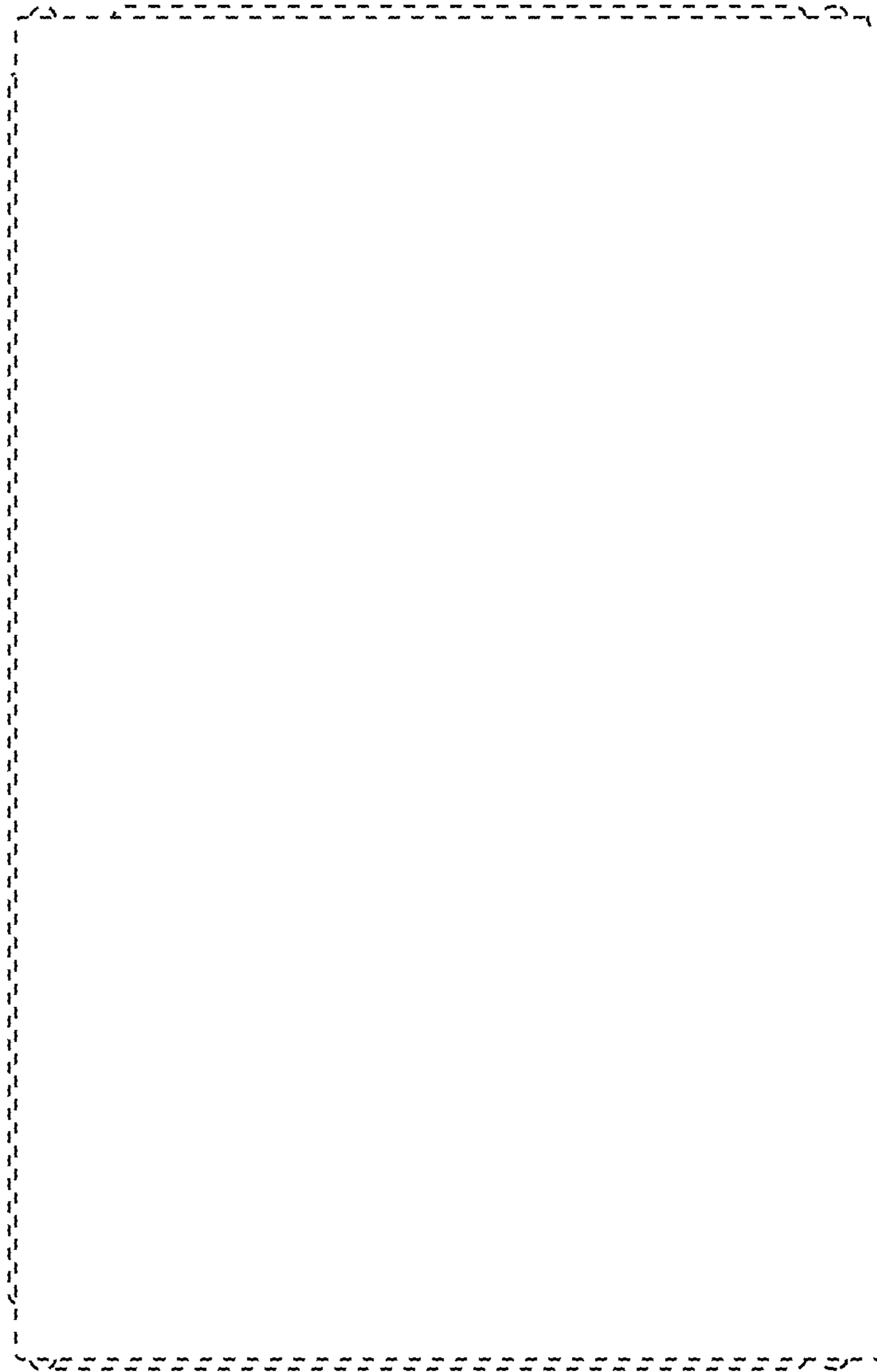


FIG. 3

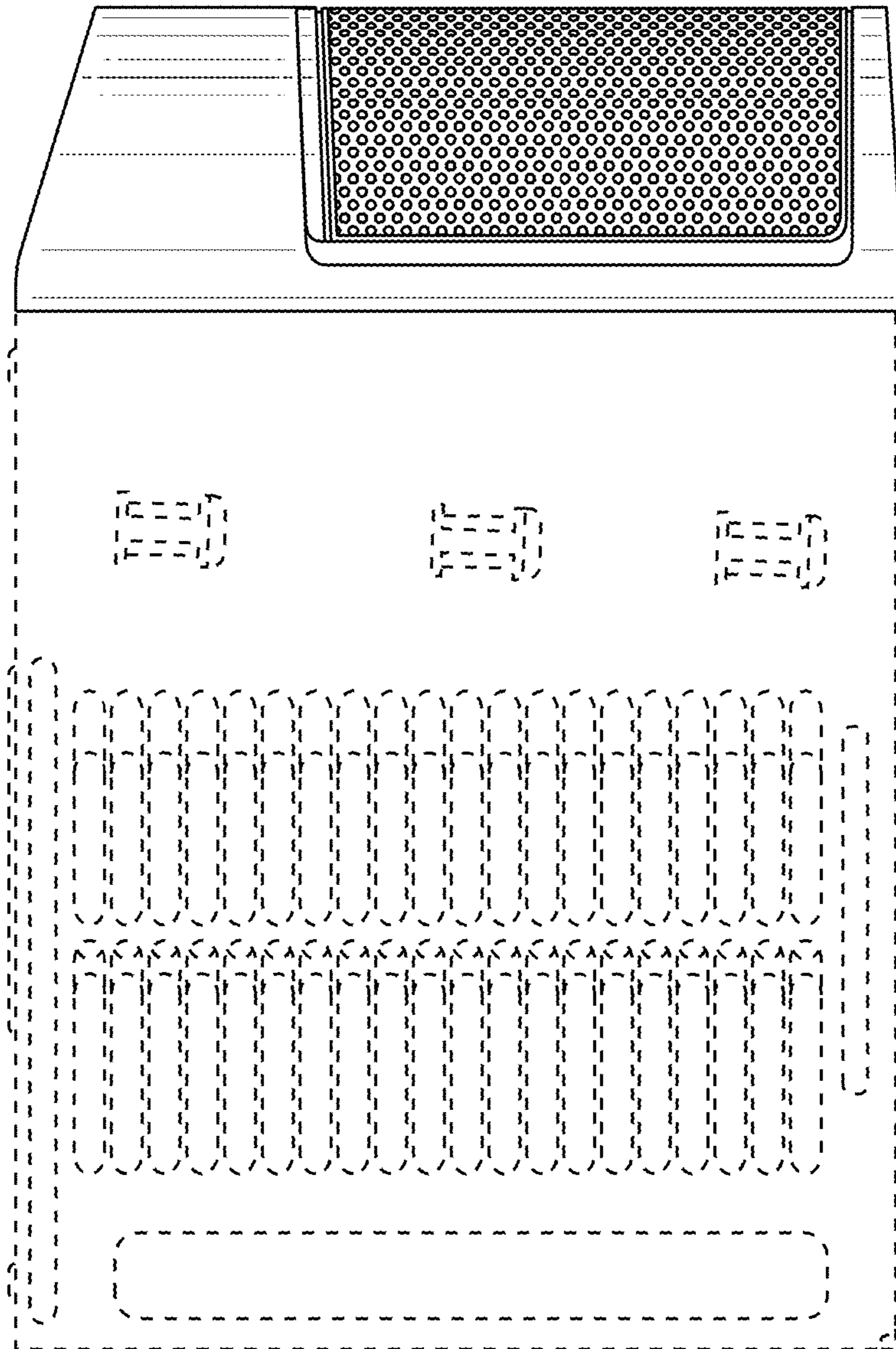


FIG. 4

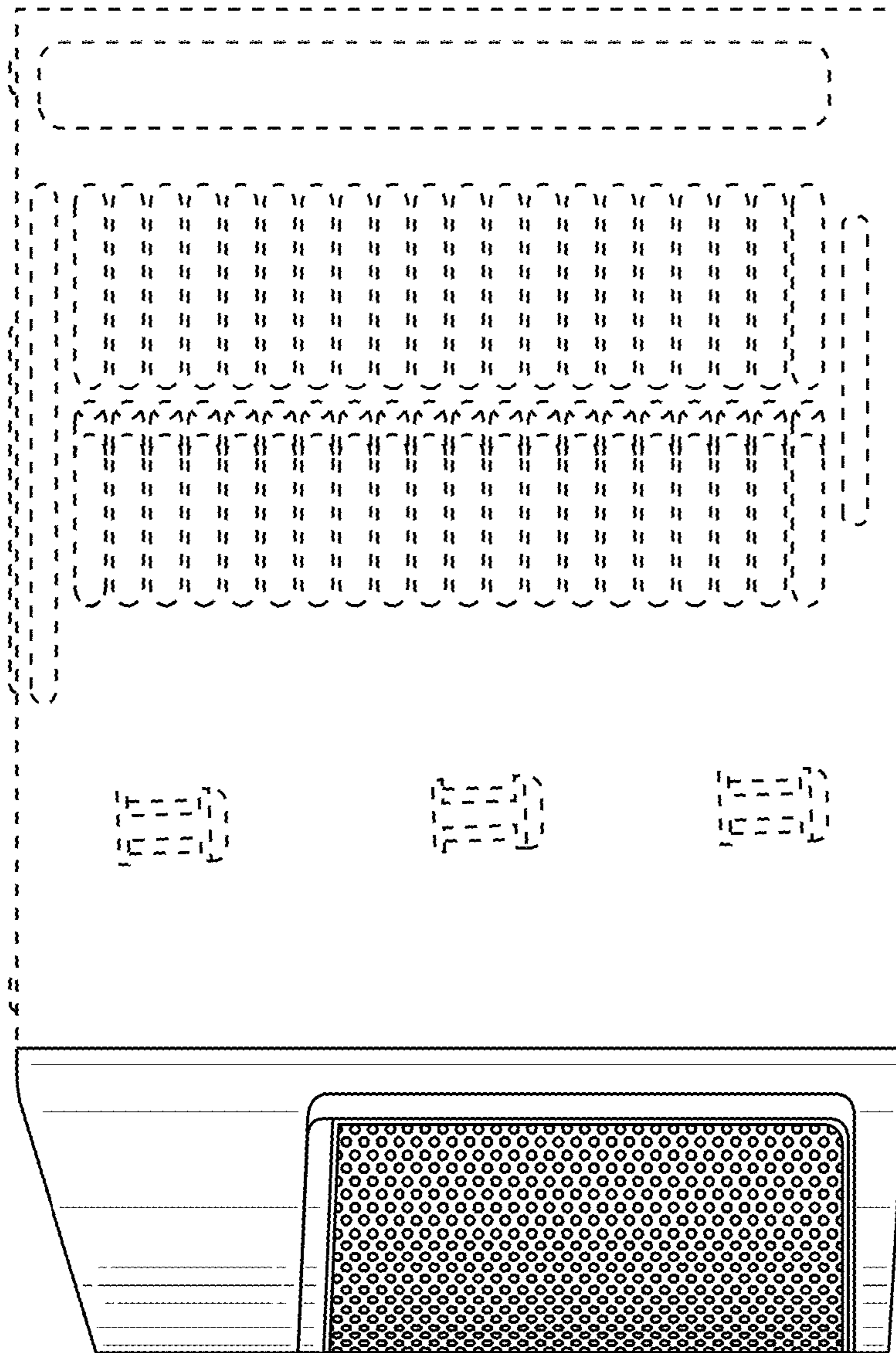


FIG. 5

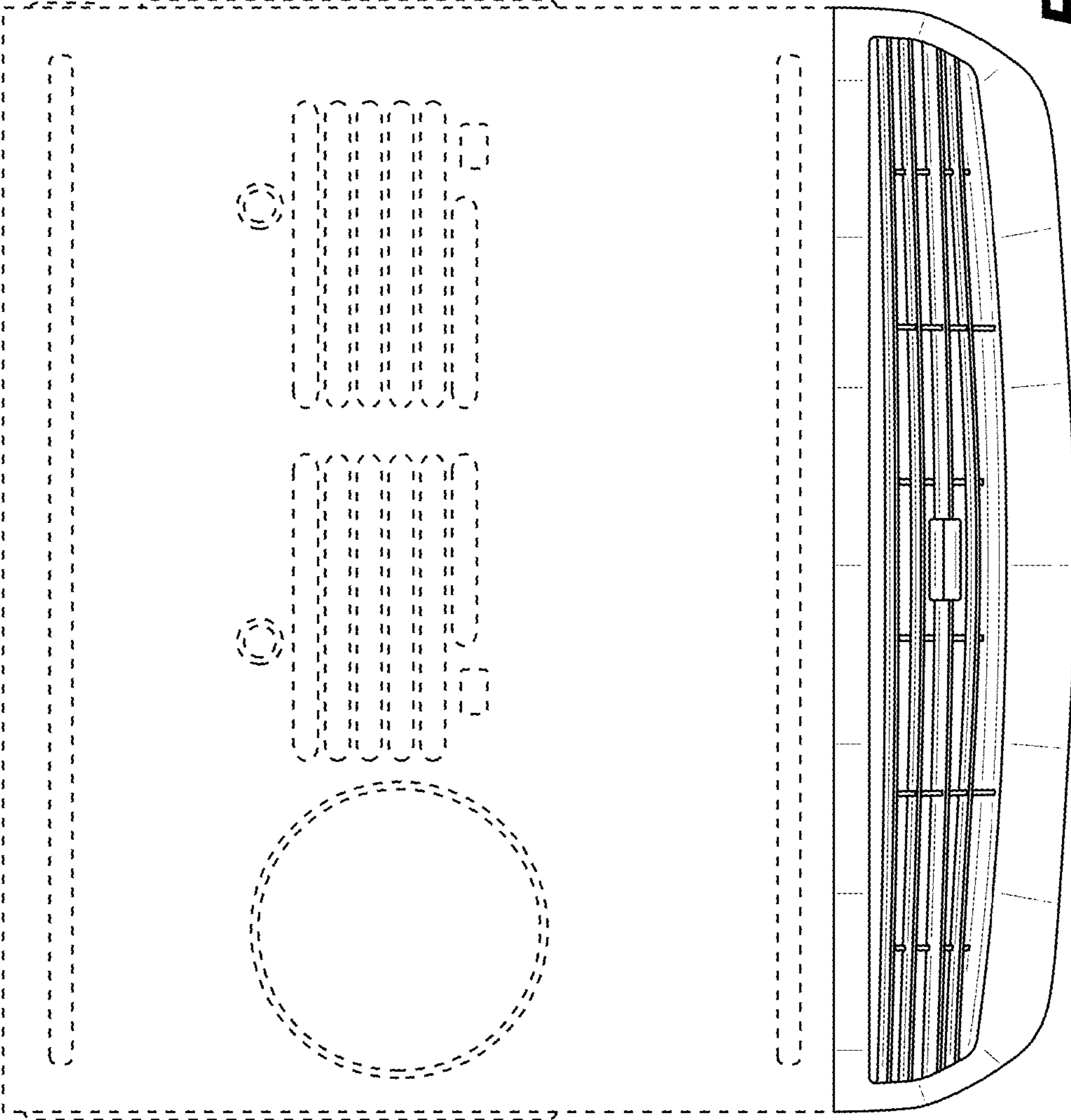


FIG. 6

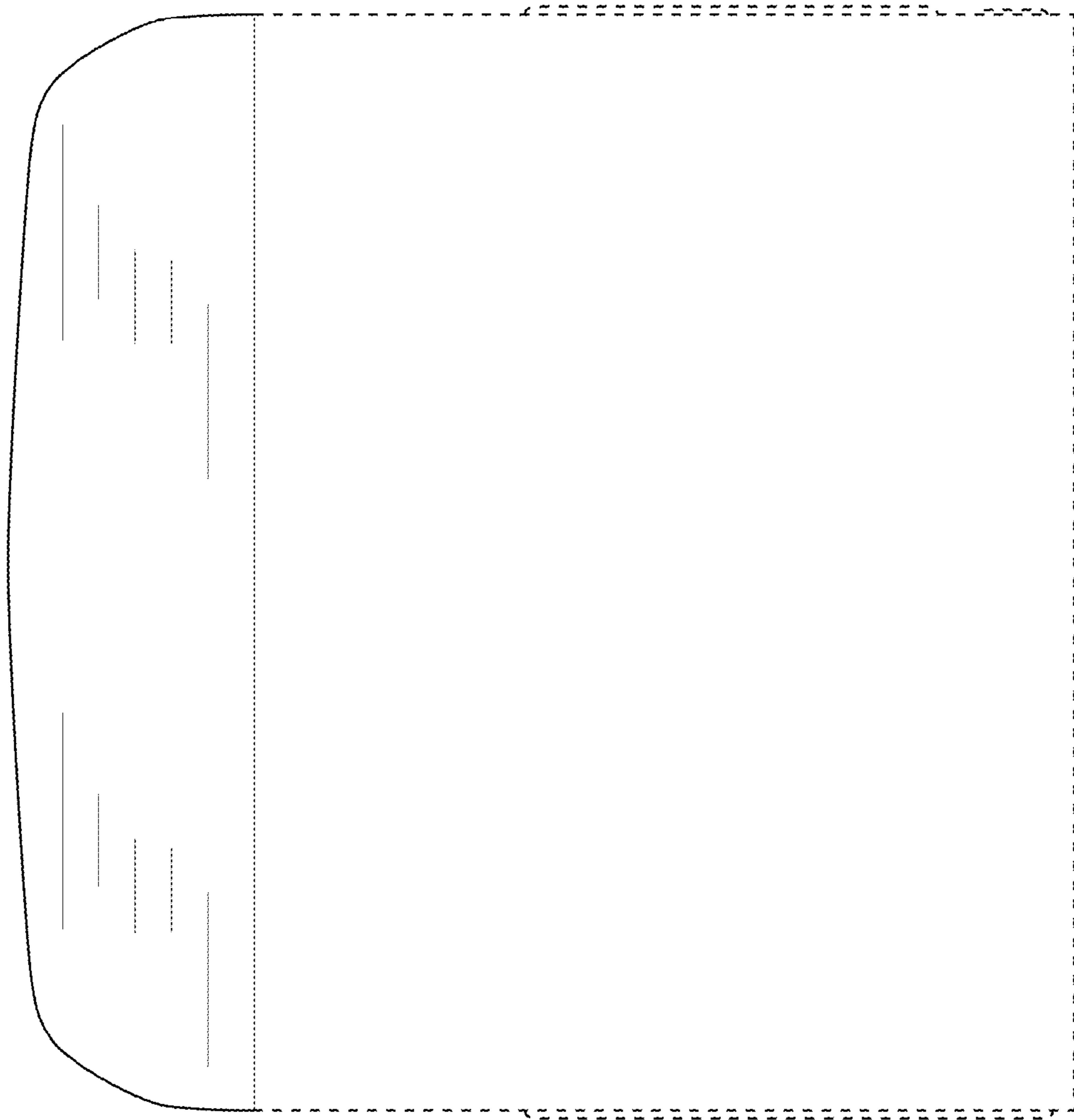


FIG. 7