



US00D777893S

(12) **United States Design Patent**
Kato et al.

(10) **Patent No.:** **US D777,893 S**
(45) **Date of Patent:** **** Jan. 31, 2017**

(54) **AIR CONDITIONER**

(71) Applicant: **MITSUBISHI ELECTRIC CORPORATION**, Tokyo (JP)

(72) Inventors: **Hiroyuki Kato**, Tokyo (JP); **Yuki Sakai**, Tokyo (JP); **Takayuki Nishiguchi**, Tokyo (JP)

(73) Assignee: **Mitsubishi Electric Corporation**, Tokyo (JP)

(**) Term: **15 Years**

(21) Appl. No.: **29/547,806**

(22) Filed: **Dec. 8, 2015**

(30) **Foreign Application Priority Data**

Jun. 11, 2015 (JP) 2015-013001

(51) **LOC (10) Cl.** **23-04**

(52) **U.S. Cl.**
USPC **D23/351**

(58) **Field of Classification Search**
USPC D23/333, 335, 341, 342, 351, 353, 354, D23/355, 356, 359, 364, 365, 370, 385, D23/386, 388, 393
CPC F24F 1/00; F24F 1/0007; F24F 1/02; F24F 1/08; F24F 1/42; F24F 1/56; F24F 1/60; F24F 3/044; F24F 3/048; F24F 3/16; F24F 7/00; F24F 7/04; F24F 12/001; F24F 12/006
See application file for complete search history.

(56) **References Cited**

U.S. PATENT DOCUMENTS

D435,095 S * 12/2000 Nanjo D23/351
D556,879 S * 12/2007 Lee D23/351
D612,469 S * 3/2010 Nagahori D23/351
D621,492 S * 8/2010 Tanaka D23/351

D621,921 S * 8/2010 Ishida D23/351
D623,281 S * 9/2010 Ishida D23/351
D627,043 S * 11/2010 Tanaka D23/351
D628,685 S * 12/2010 Aoyama D23/351
D628,686 S * 12/2010 Motonishi D23/351

* cited by examiner

Primary Examiner — George D. Kirschbaum

Assistant Examiner — Natasha Vujcic

(74) *Attorney, Agent, or Firm* — Studebaker & Brackett PC

(57) **CLAIM**

The ornamental design for an air conditioner, as shown and described.

DESCRIPTION

FIG. 1 is a front perspective view of the front, right, and top sides of an air conditioner showing our new design;
FIG. 2 is a front perspective view of the front, right, and bottom sides thereof;
FIG. 3 is a front view thereof;
FIG. 4 is a rear view thereof;
FIG. 5 is a left side view thereof;
FIG. 6 is a right side view thereof;
FIG. 7 is a top plan view thereof; and,
FIG. 8 is a bottom view thereof.

The broken lines shown represent unclaimed subject matter of the air conditioner and form no part of the claimed design.

1 Claim, 7 Drawing Sheets

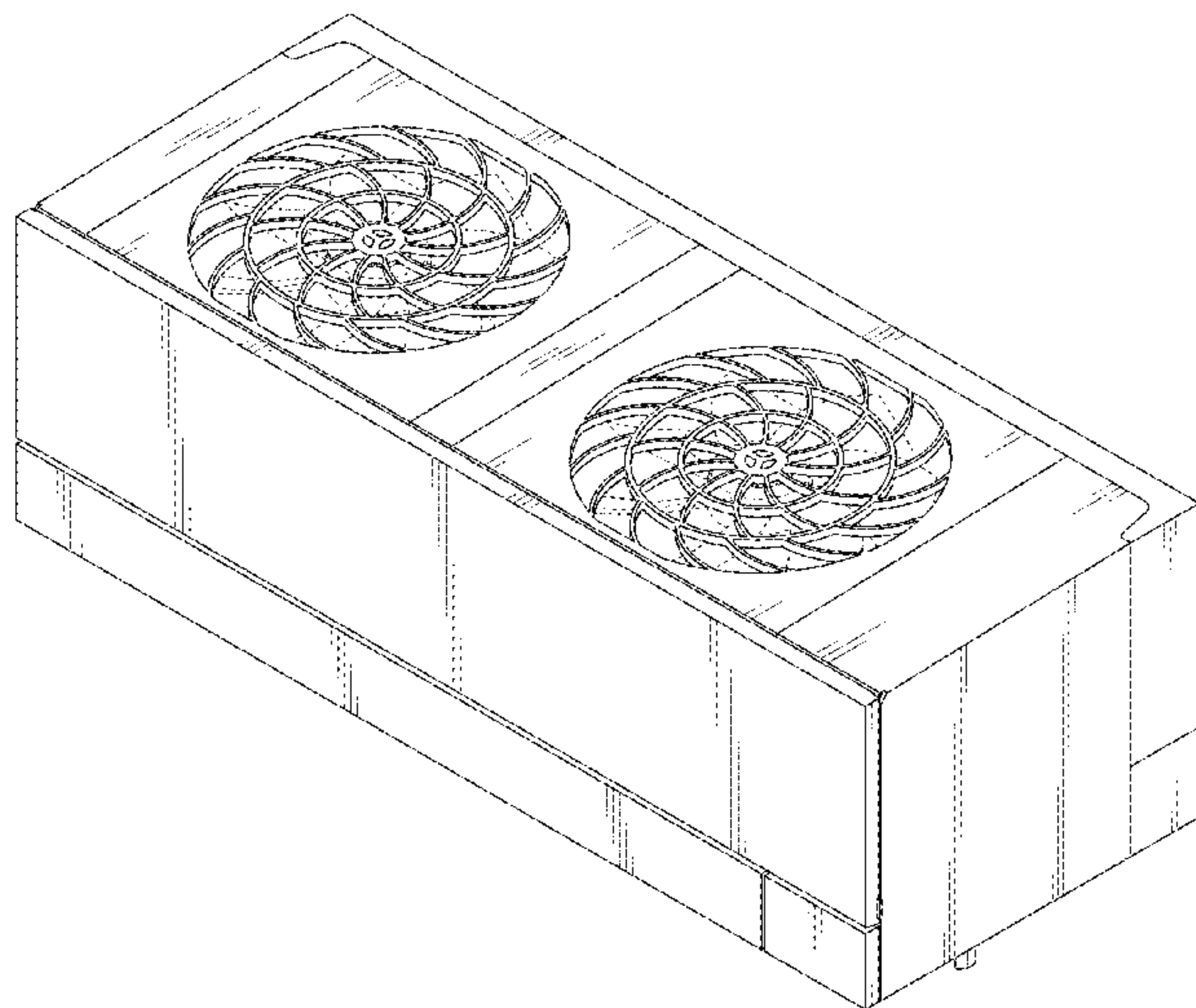


Fig. 1

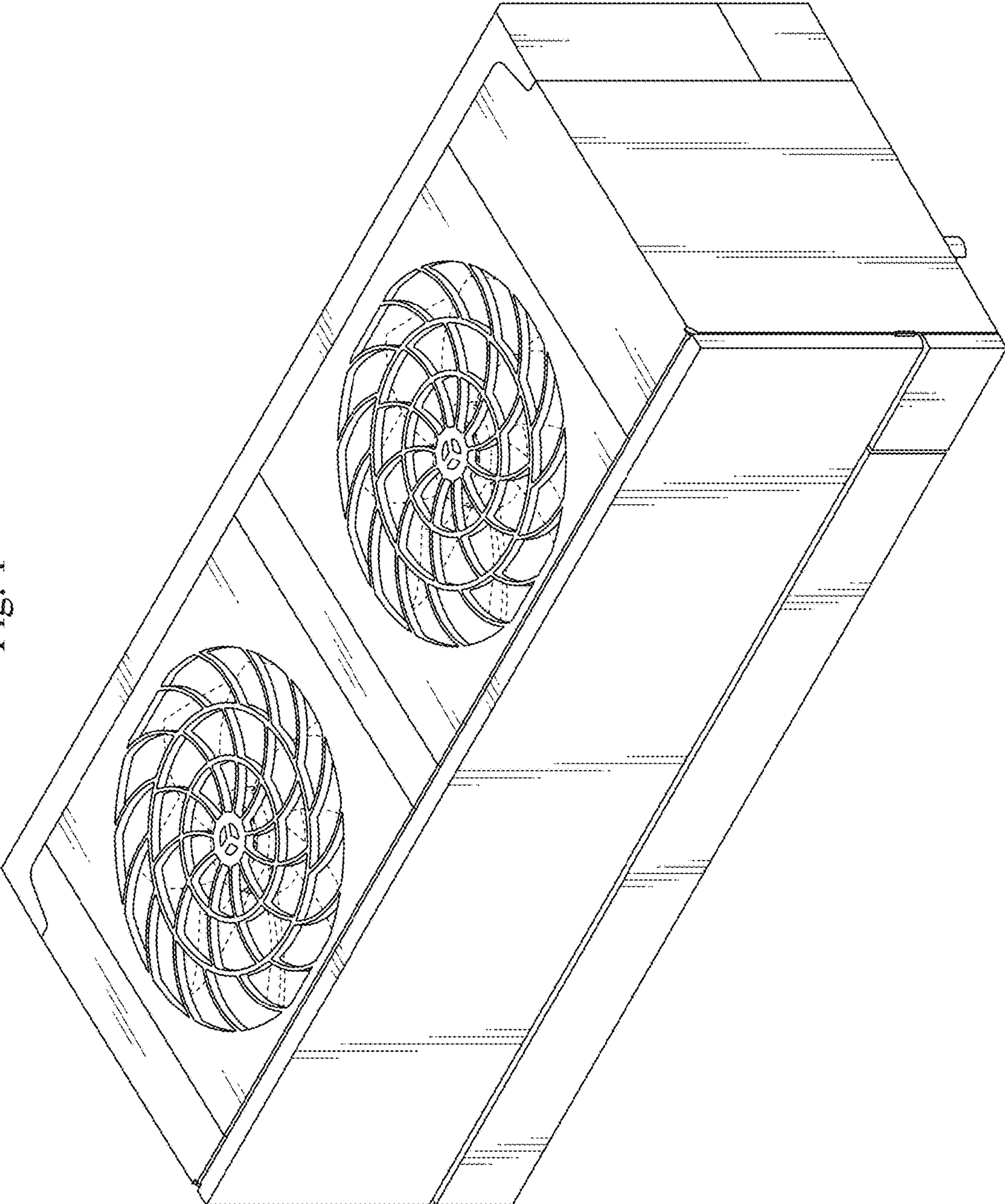


Fig. 2

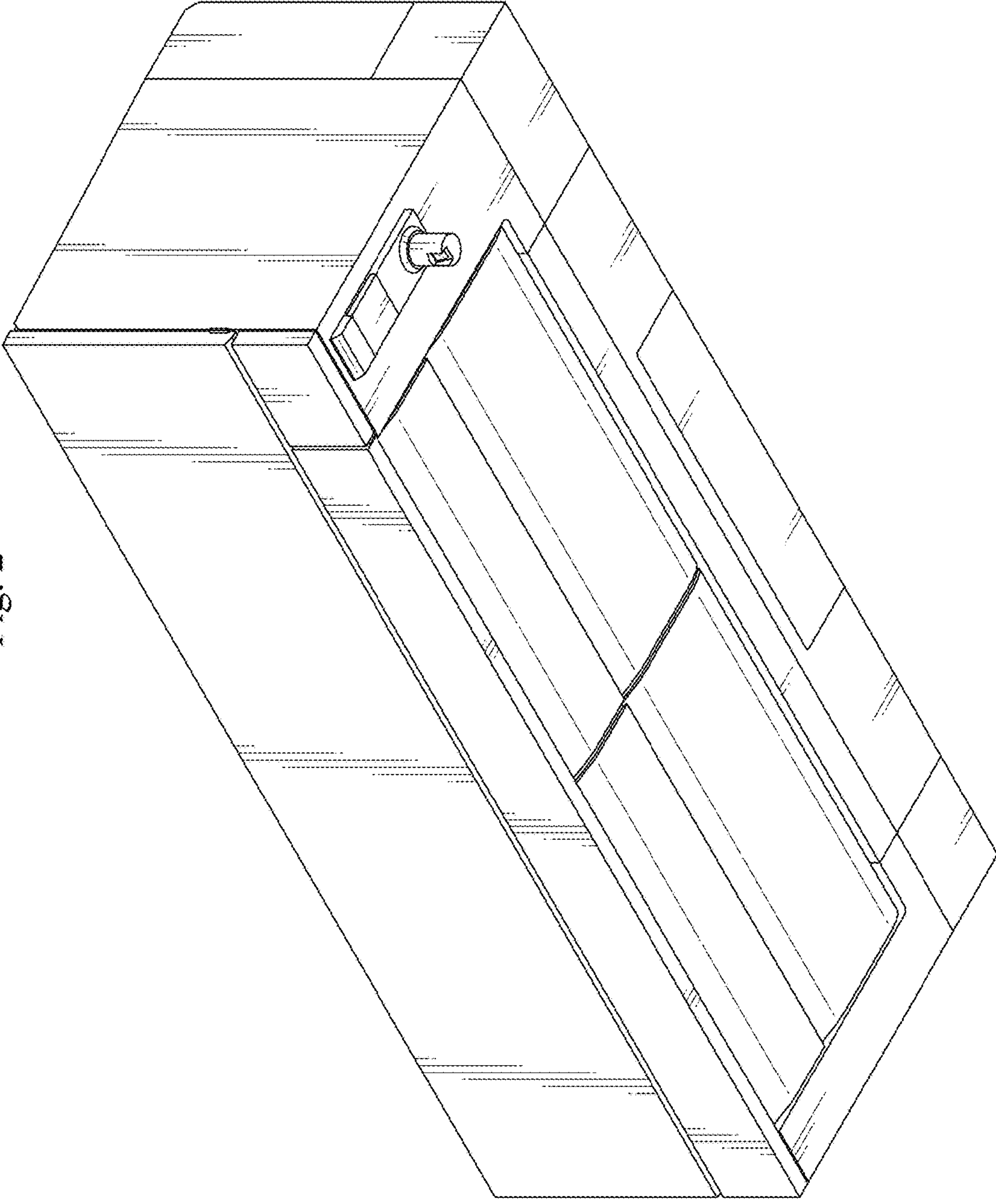


Fig. 3

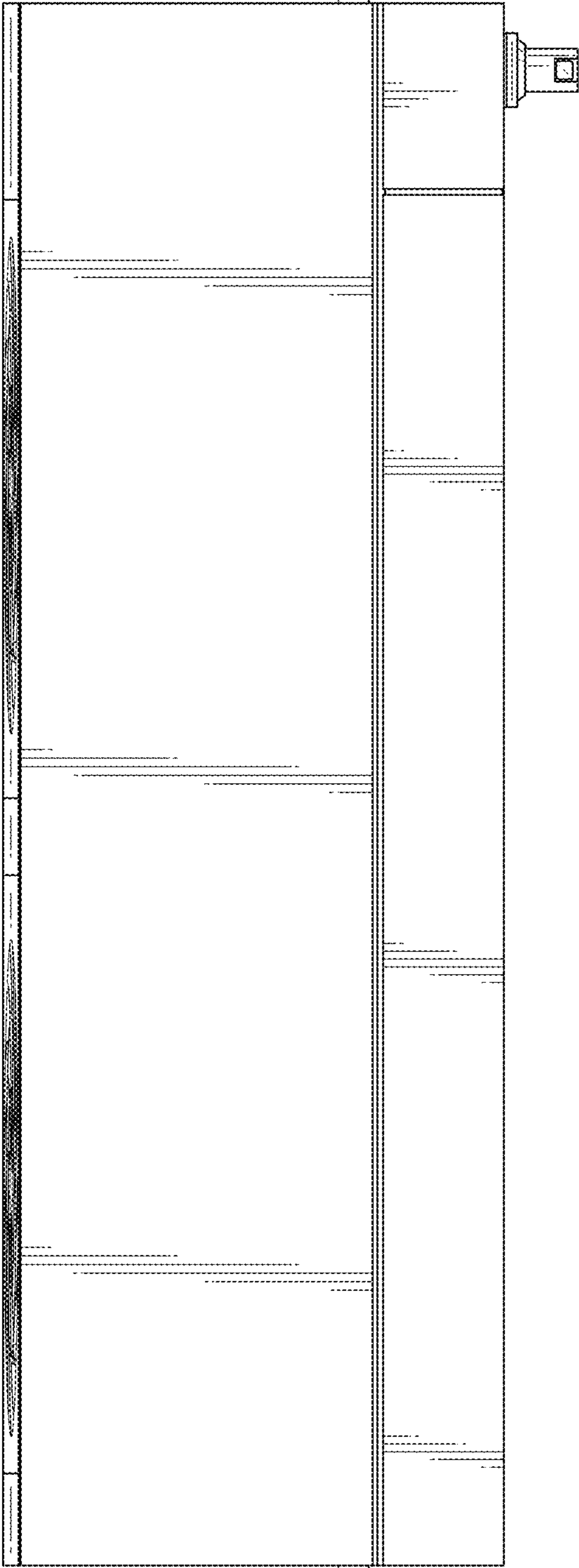


Fig. 4

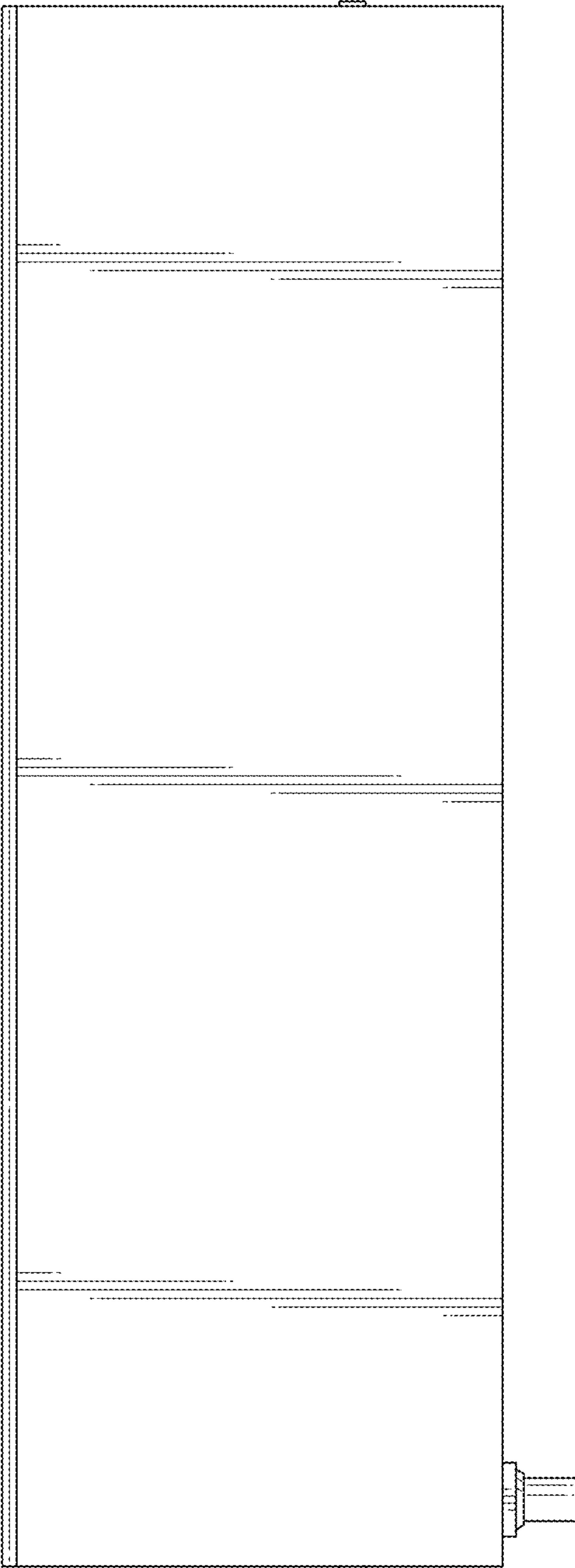


Fig. 6

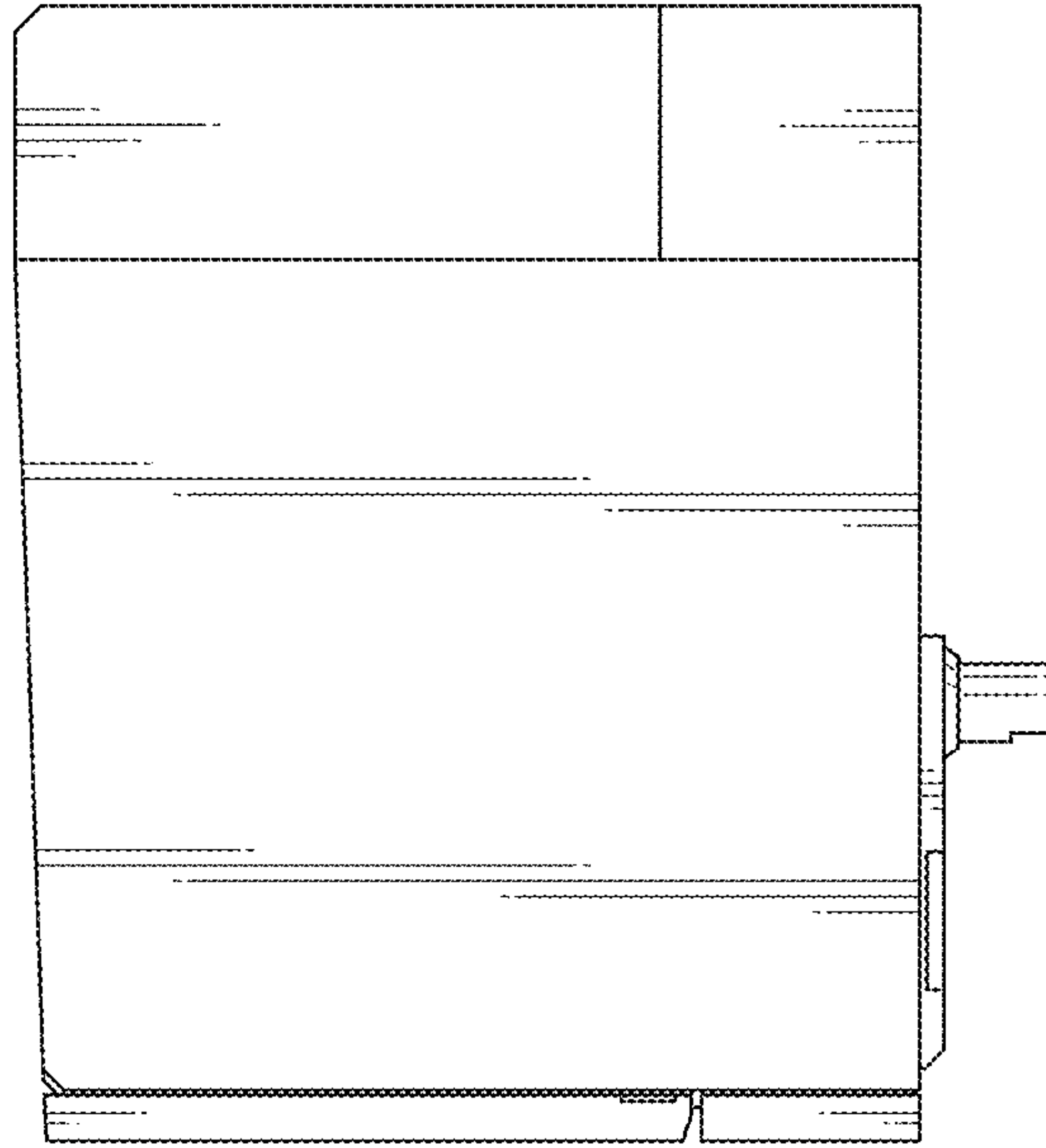


Fig. 5

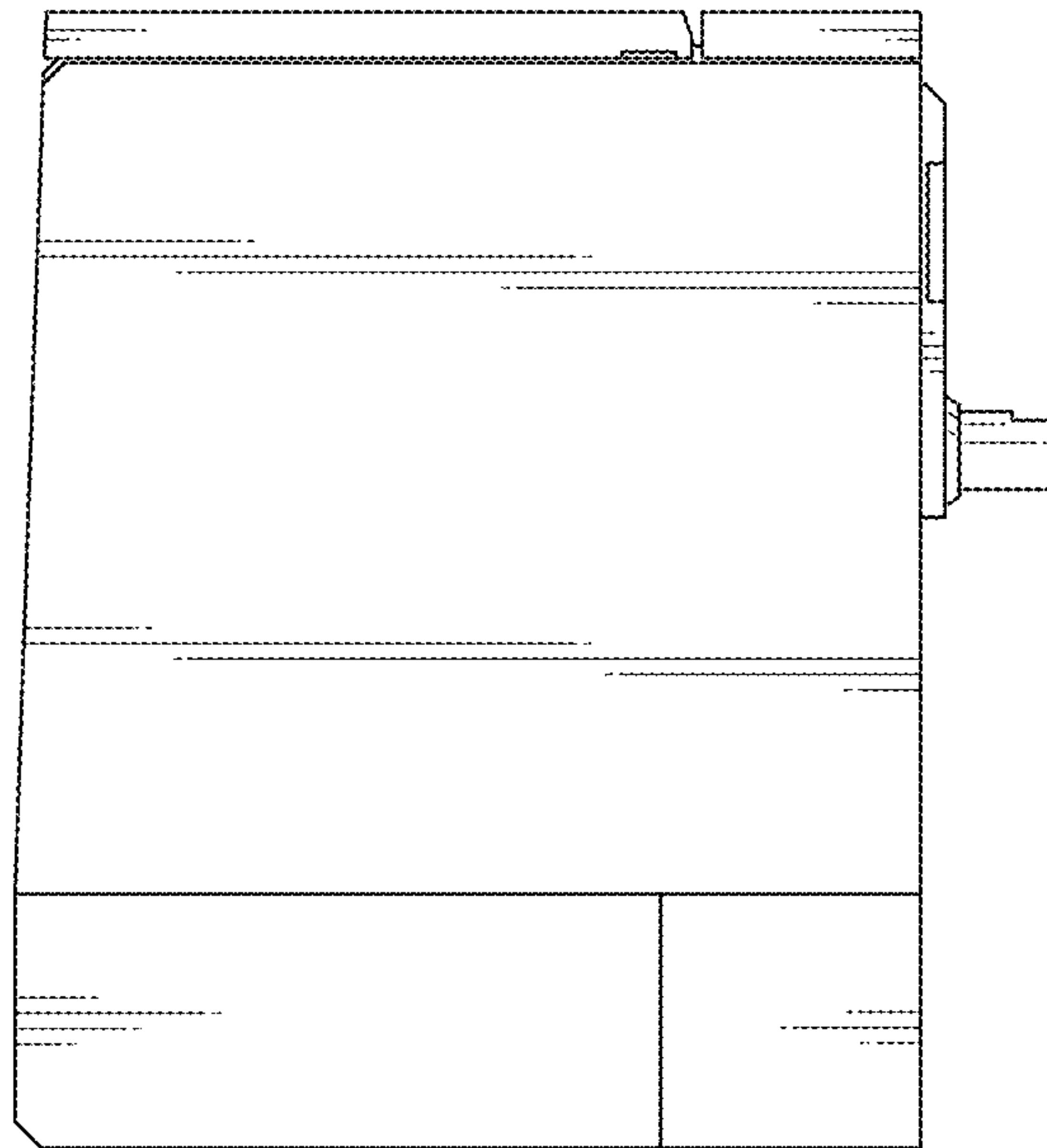


Fig. 7

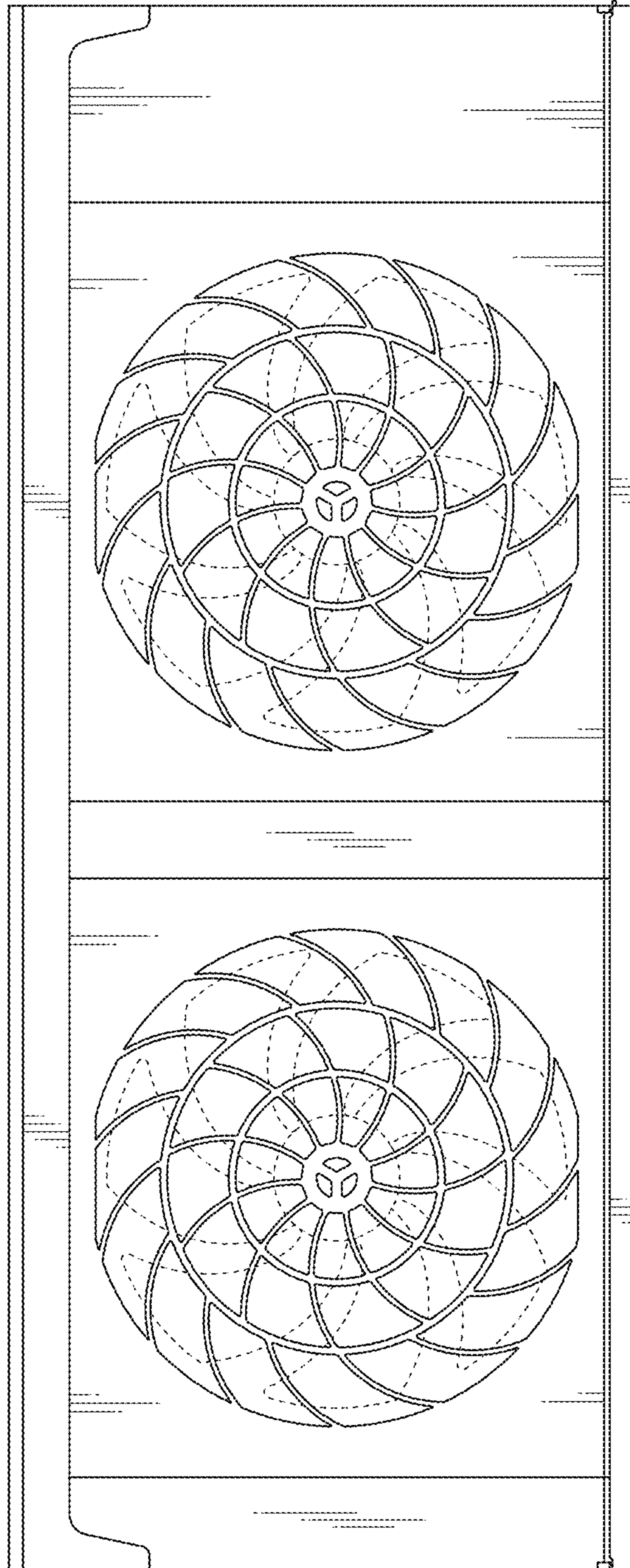


Fig. 8

