



US00D777892S

(12) **United States Design Patent** (10) **Patent No.:** **US D777,892 S**
Bu et al. (45) **Date of Patent:** **** Jan. 31, 2017**

(54) **AIR CONDITIONER**

(56) **References Cited**

(71) Applicant: **Samsung Electronics Co., Ltd.**,
Suwon-si, Gyeonggi-do (KR)
(72) Inventors: **Minhyouk Bu**, Seoul (KR); **Sanghun Yoon**, Seoul (KR); **Cheolyeon Jo**,
Seoul (KR); **Jaewon Choi**, Seoul (KR)
(73) Assignee: **SAMSUNG ELECTRONICS CO., LTD.**, Suwon-si, Gyeonggi-Do (KR)

U.S. PATENT DOCUMENTS

D481,783 S *	11/2003	Fok	D23/328
D689,993 S *	9/2013	Yoon	D23/351
D689,994 S *	9/2013	Jun	D23/351
D701,596 S *	3/2014	Yoo	D23/351
D708,724 S *	7/2014	Yoo	D23/351
D717,419 S *	11/2014	Choi	D23/351
D729,363 S *	5/2015	Choi	D23/351
D729,364 S *	5/2015	Choi	D23/351
D733,857 S *	7/2015	Choi	D23/351

(**) Term: **15 Years**
(21) Appl. No.: **29/529,804**
(22) Filed: **Jun. 10, 2015**

* cited by examiner
Primary Examiner — George D. Kirschbaum
Assistant Examiner — Natasha Vujcic
(74) *Attorney, Agent, or Firm* — Ladas & Parry LLP

(30) **Foreign Application Priority Data**

(57) **CLAIM**

Dec. 17, 2014 (KR) 30-2014-0061576

We claim the ornamental design for an air conditioner, as shown and described.

(51) **LOC (10) Cl.** **23-04**

DESCRIPTION

(52) **U.S. Cl.**
USPC **D23/351**

(58) **Field of Classification Search**
USPC D23/333, 335, 341, 342, 351, 353, 354,
D23/355, 356, 359, 364, 365, 370, 385,
D23/386, 388, 393
CPC F24F 1/00; F24F 1/0007; F24F 1/02;
F24F 1/08; F24F 1/42; F24F 1/56; F24F
1/60; F24F 3/044; F24F 3/048; F24F 3/16;
F24F 7/00; F24F 7/04; F24F
12/001; F24F 12/006

FIG. 1 is the front perspective view of an air conditioner showing our new design;
FIG. 2 is the front view thereof;
FIG. 3 is the rear view thereof;
FIG. 4 is the left-side view thereof;
FIG. 5 is the right-side view thereof;
FIG. 6 is the top plan view thereof; and,
FIG. 7 is the bottom plan view thereof.
The broken lines in the drawings illustrate portions of the air conditioner which form no part of the claimed design.

See application file for complete search history.

1 Claim, 6 Drawing Sheets

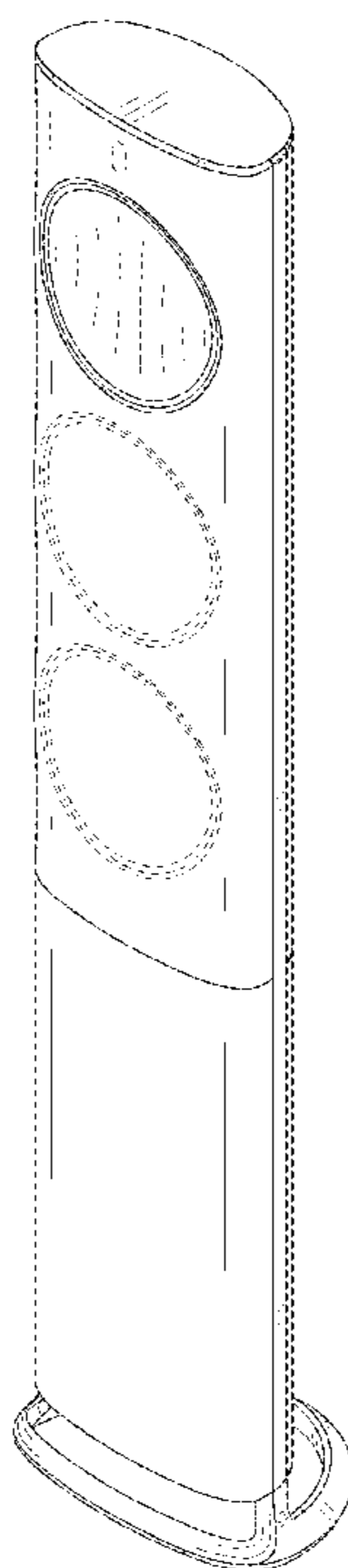


FIG. 1

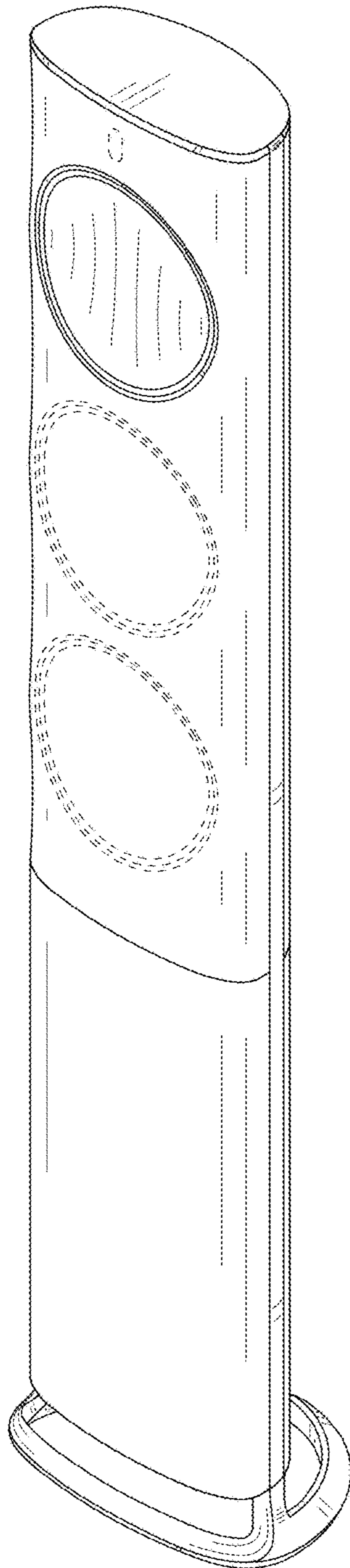


FIG. 2

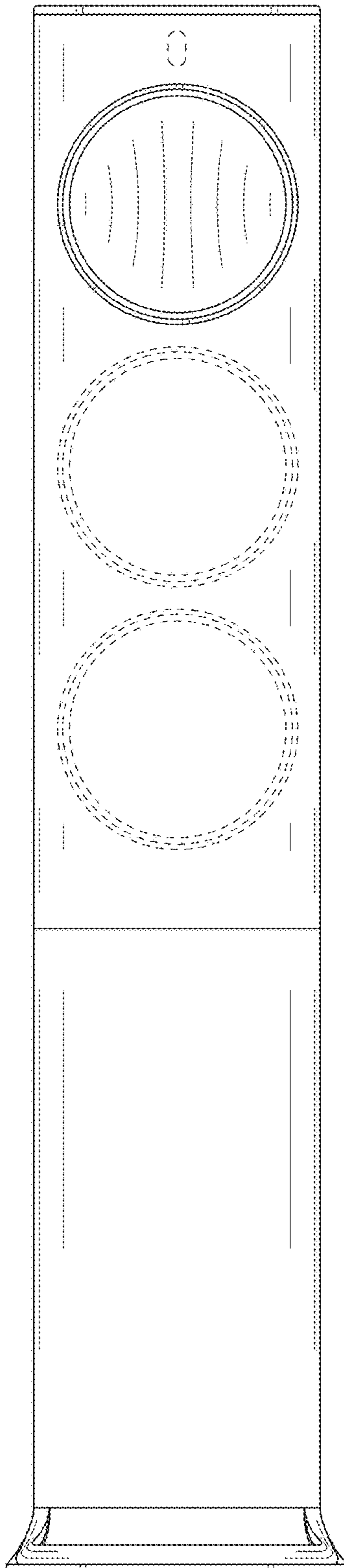


FIG. 3

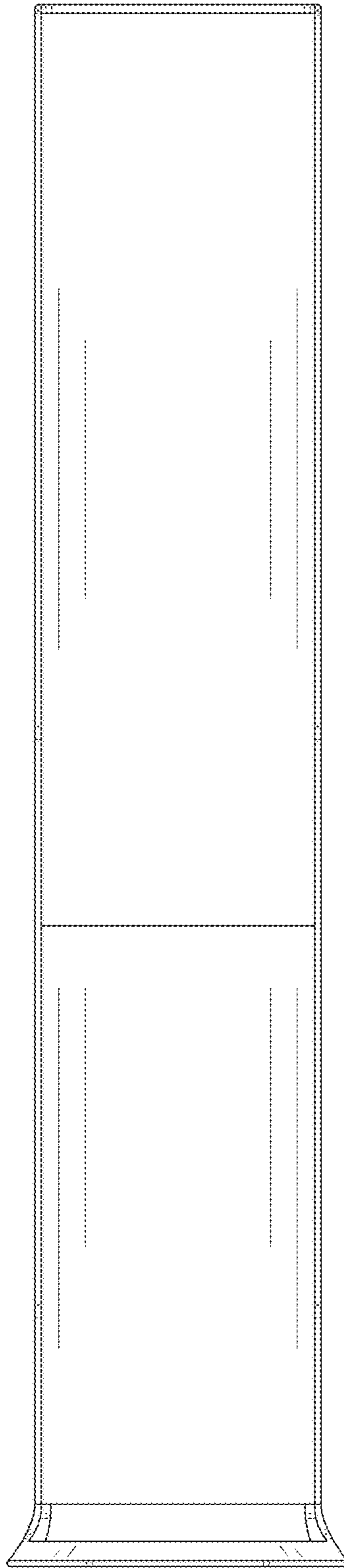


FIG. 4

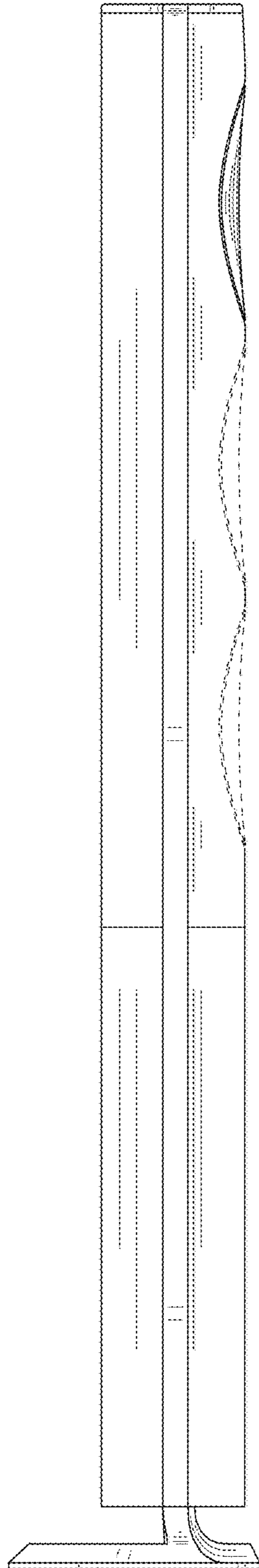


FIG. 5

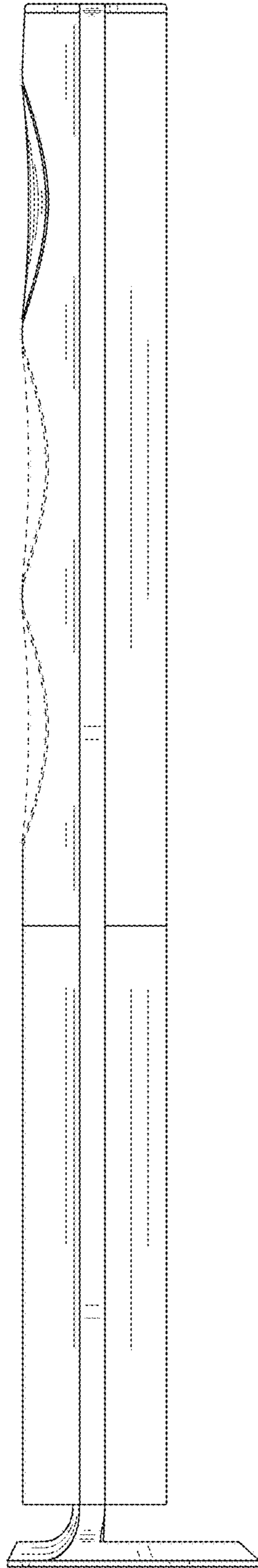


FIG. 6

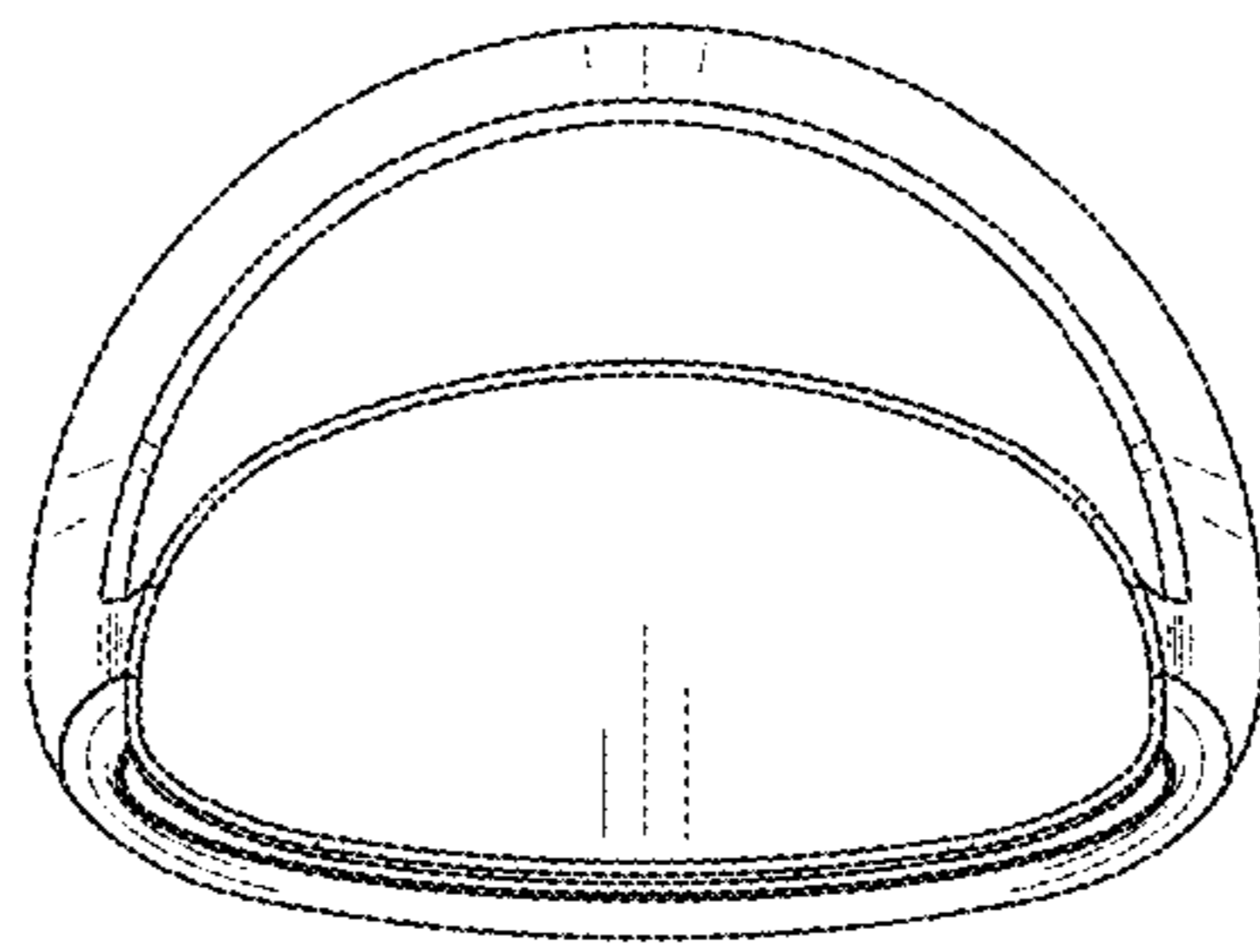


FIG. 7

