



US00D777890S

(12) **United States Design Patent**  
**Hsiao et al.**

(10) **Patent No.:** **US D777,890 S**  
(45) **Date of Patent:** **\*\* Jan. 31, 2017**

(54) **PORTABLE AIR CONDITIONER**  
(71) Applicant: **MOAI ELECTRONICS CORPORATION**, Hsinchu (TW)  
(72) Inventors: **Ching-chung Hsiao**, Hsinchu (TW); **Yi-Yang Lin**, Hsinchu (TW); **Yu-Te Chou**, Hsinchu (TW); **Yen-Tao Liu**, Hsinchu (TW)  
(73) Assignee: **MOAI ELECTRONICS CORPORATION**, Hsinchu (TW)

D676,139 S \* 2/2013 Golzari ..... D24/206  
D738,995 S \* 9/2015 Shapiro ..... D23/351  
D740,784 S \* 10/2015 O'Polka ..... D14/204  
D747,810 S \* 1/2016 Bangser ..... D24/206

\* cited by examiner

*Primary Examiner* — George D Kirschbaum

*Assistant Examiner* — Natasha Vujcic

(74) *Attorney, Agent, or Firm* — Muncy, Geissler, Olds & Lowe, P.C.

(\*\*) Term: **15 Years**  
(21) Appl. No.: **29/533,251**  
(22) Filed: **Jul. 15, 2015**

(57) **CLAIM**

The ornamental design for a portable air conditioner, as shown and described.

(30) **Foreign Application Priority Data**

May 8, 2015 (TW) ..... 104302458

(51) **LOC (10) Cl.** ..... **23-04**

(52) **U.S. Cl.**

USPC ..... **D23/333**

(58) **Field of Classification Search**

USPC ..... D23/333, 335, 341, 342, 351, 353, 354, D23/355, 356, 359, 364, 365, 370, 385, D23/386, 388, 393; D14/205; D24/206  
CPC ..... F24F 1/00; F24F 1/0007; F24F 1/02; F24F 1/08; F24F 1/42; F24F 1/56; F24F 1/60; F24F 3/044; F24F 3/048; F24F 3/16; F24F 7/00; F24F 7/04; F24F 12/001; F24F 12/006

See application file for complete search history.

(56) **References Cited**

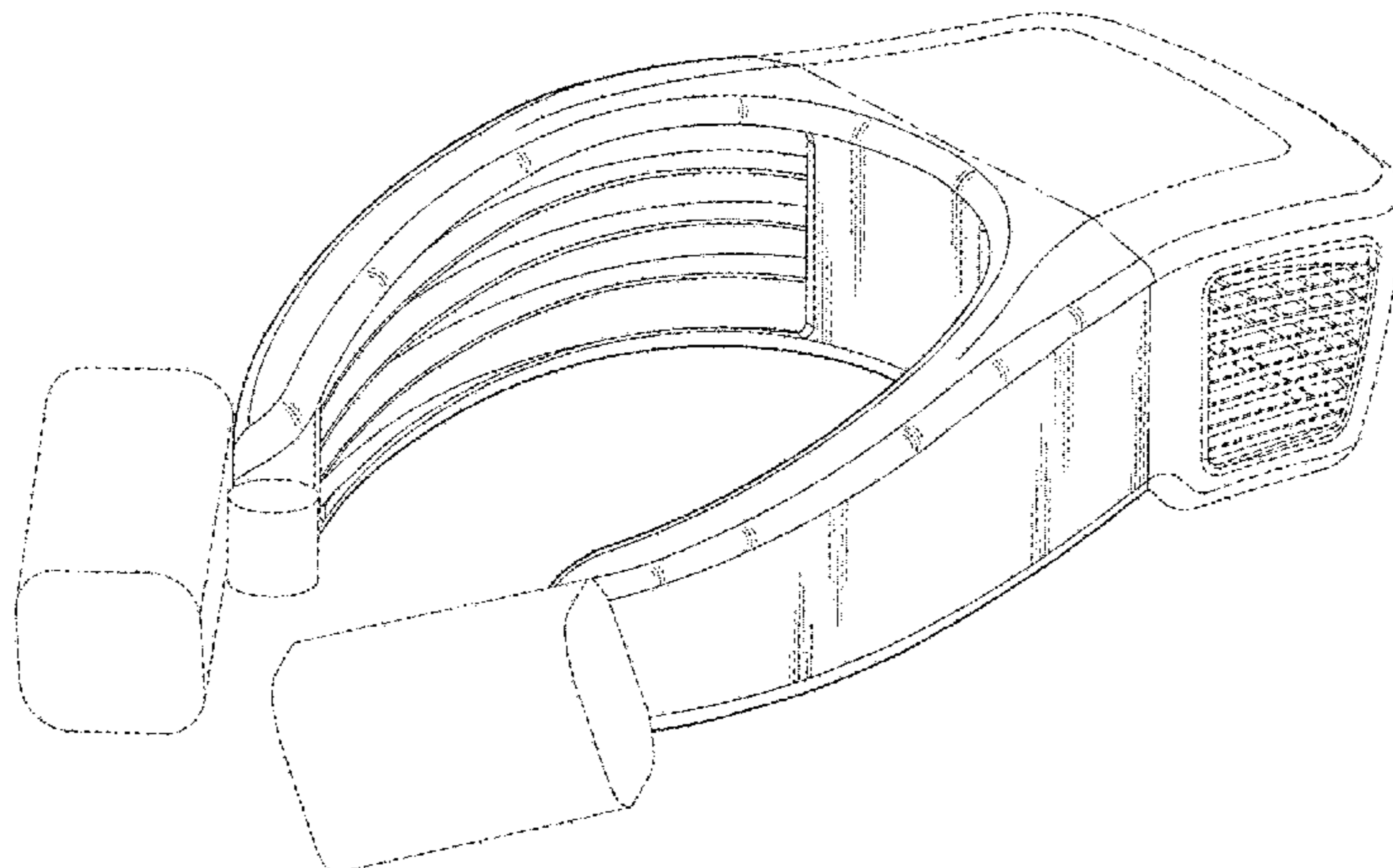
**U.S. PATENT DOCUMENTS**

5,802,865 A \* 9/1998 Strauss ..... A41D 13/0025 62/259.3  
D405,449 S \* 2/1999 Nakamura ..... D14/205  
D455,481 S \* 4/2002 Christianson ..... D23/351  
D457,945 S \* 5/2002 Pinchuk ..... D23/351

**DESCRIPTION**

FIG. 1 is a perspective view of a portable air conditioner according to the claimed design;  
FIG. 2 is a front view thereof;  
FIG. 3 is a rear view thereof;  
FIG. 4 is a left side view thereof;  
FIG. 5 is a right side view thereof;  
FIG. 6 is a top view thereof;  
FIG. 7 is a bottom view thereof; and  
FIG. 8 is another perspective view showing a person wearing the portable air conditioner according to the claimed design; and,  
FIG. 9 is yet another perspective view of the portable air conditioner according to the claimed design.  
The broken lines in the drawings that define the bounds of the claimed design form no part of the claimed design.

**1 Claim, 9 Drawing Sheets**



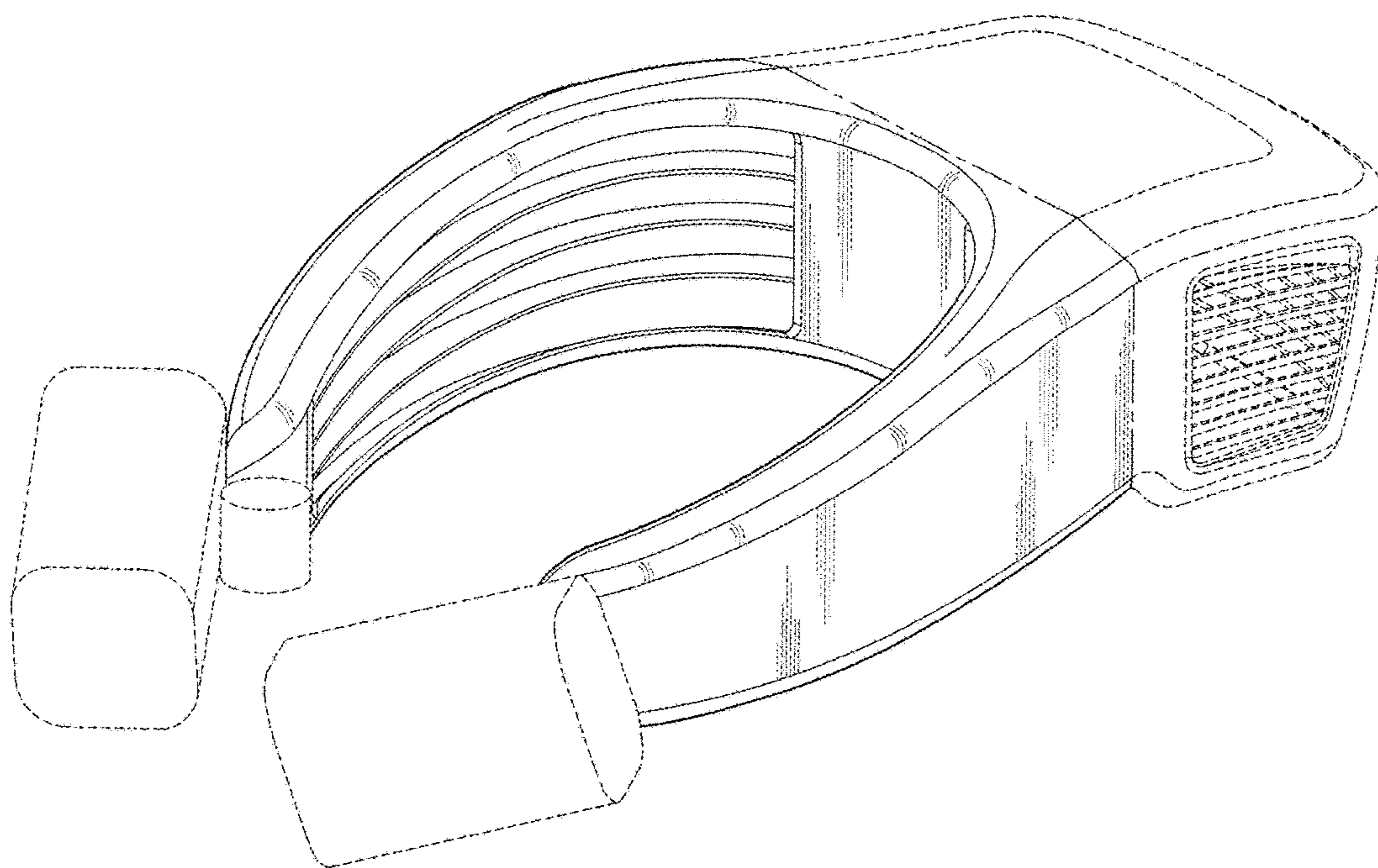


FIG. 1

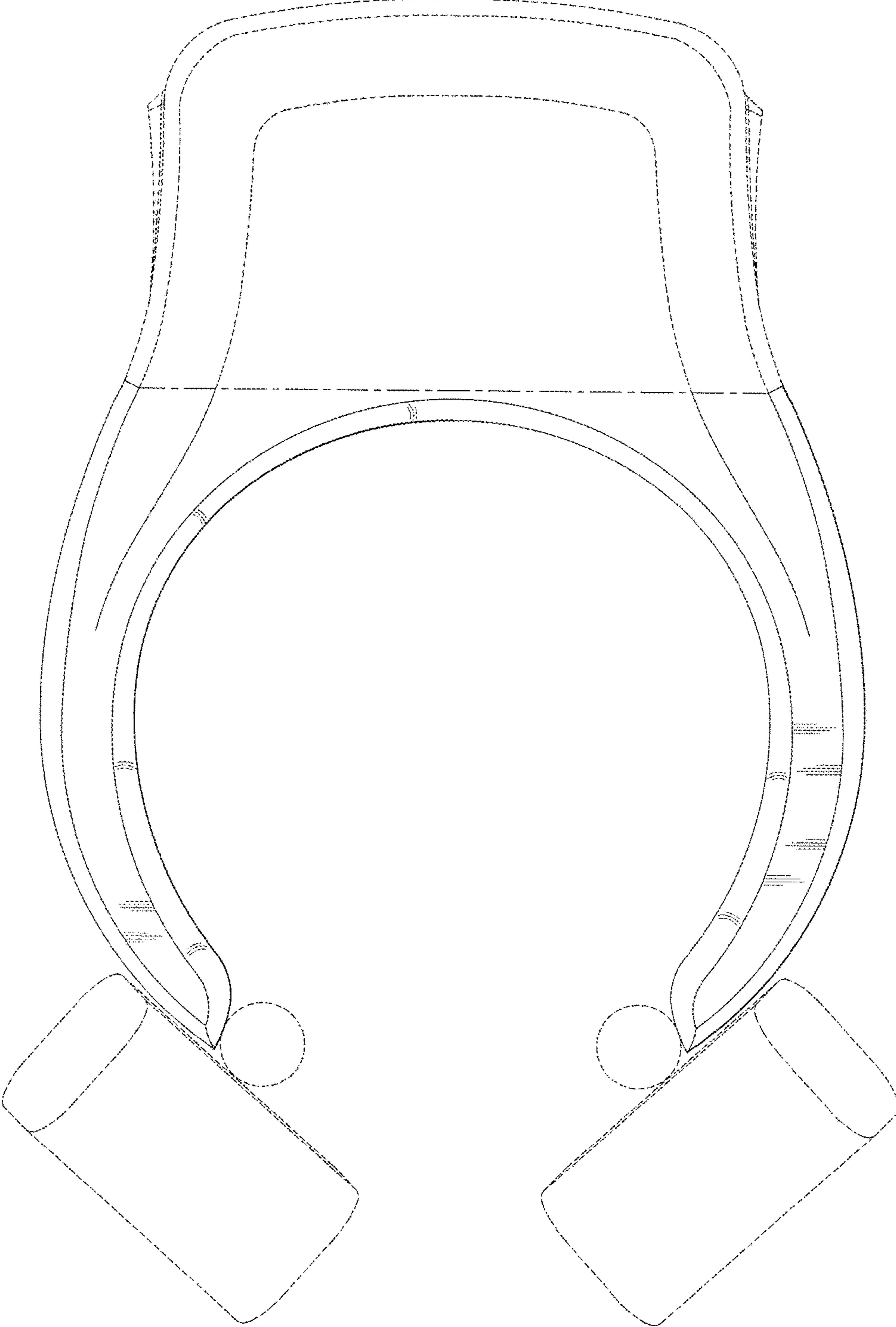


FIG. 2

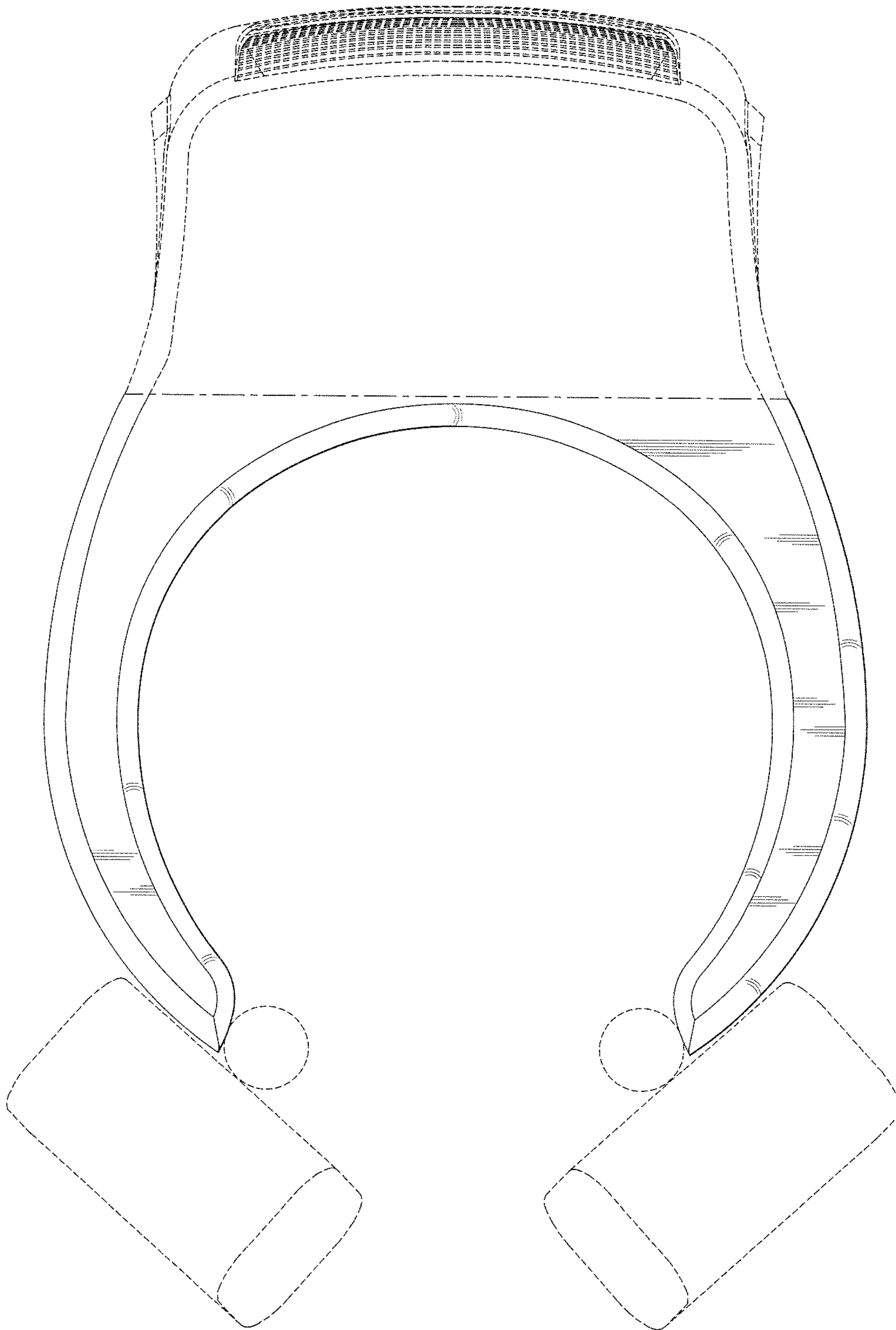


FIG. 3



FIG. 4



FIG. 5

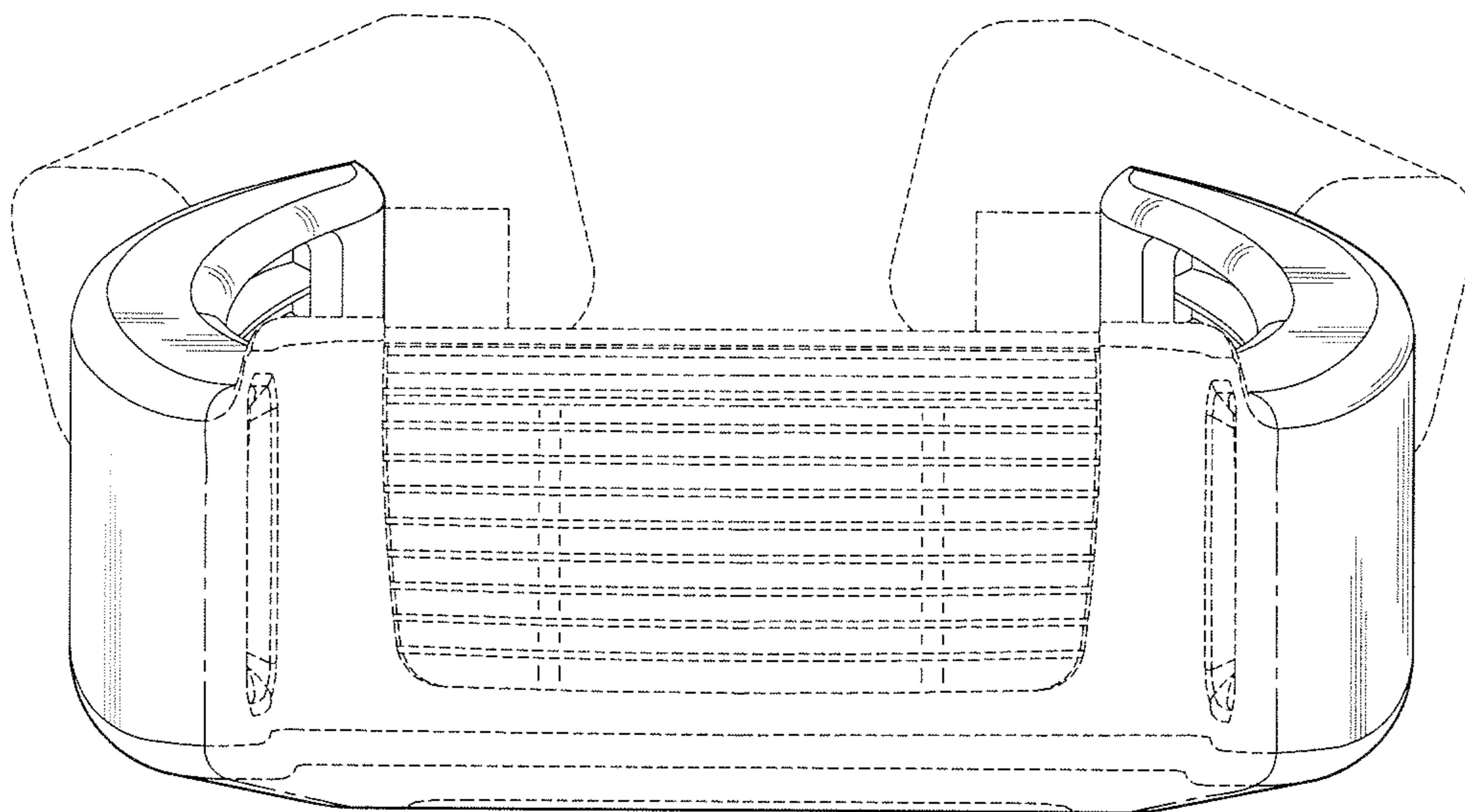


FIG. 6

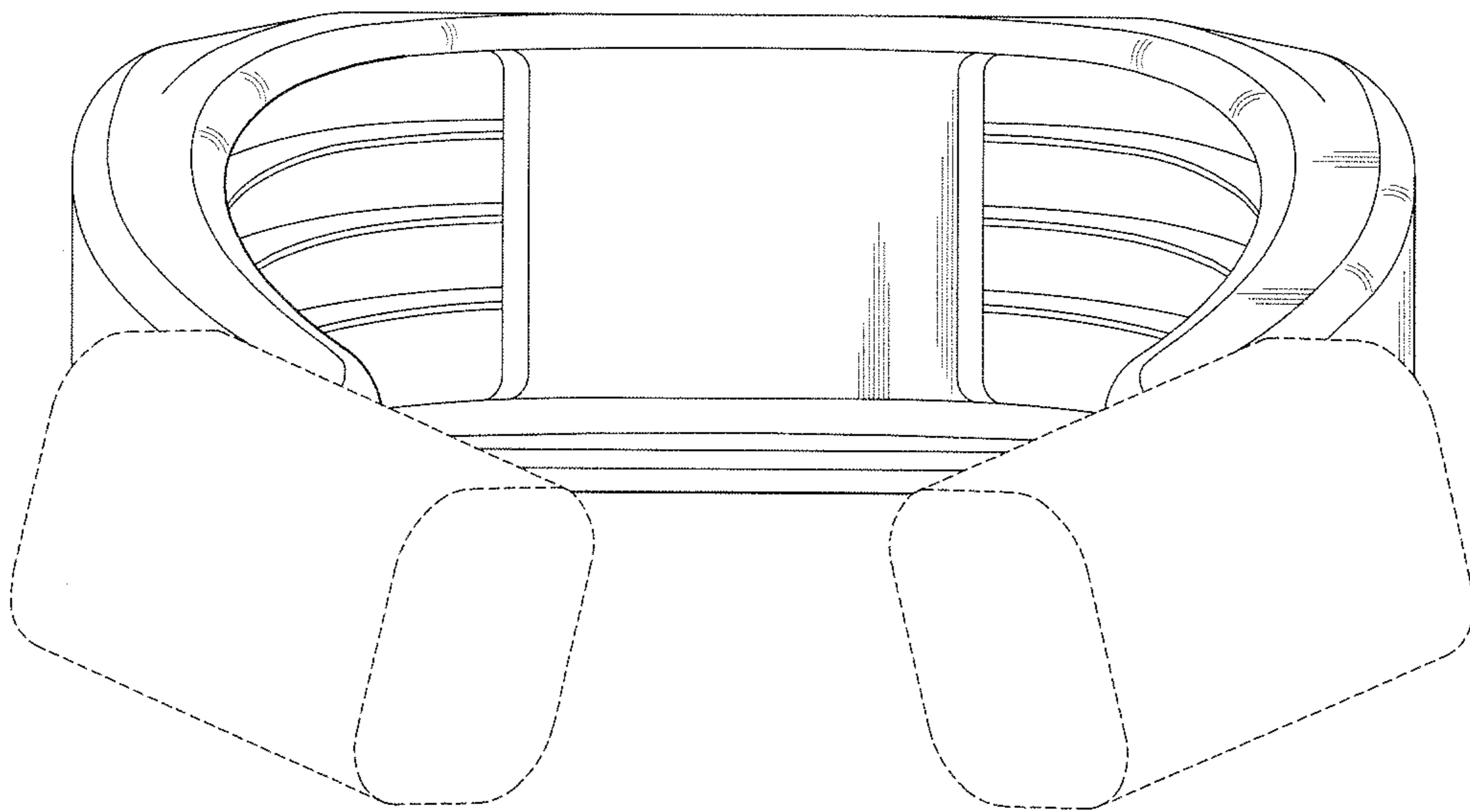


FIG. 7



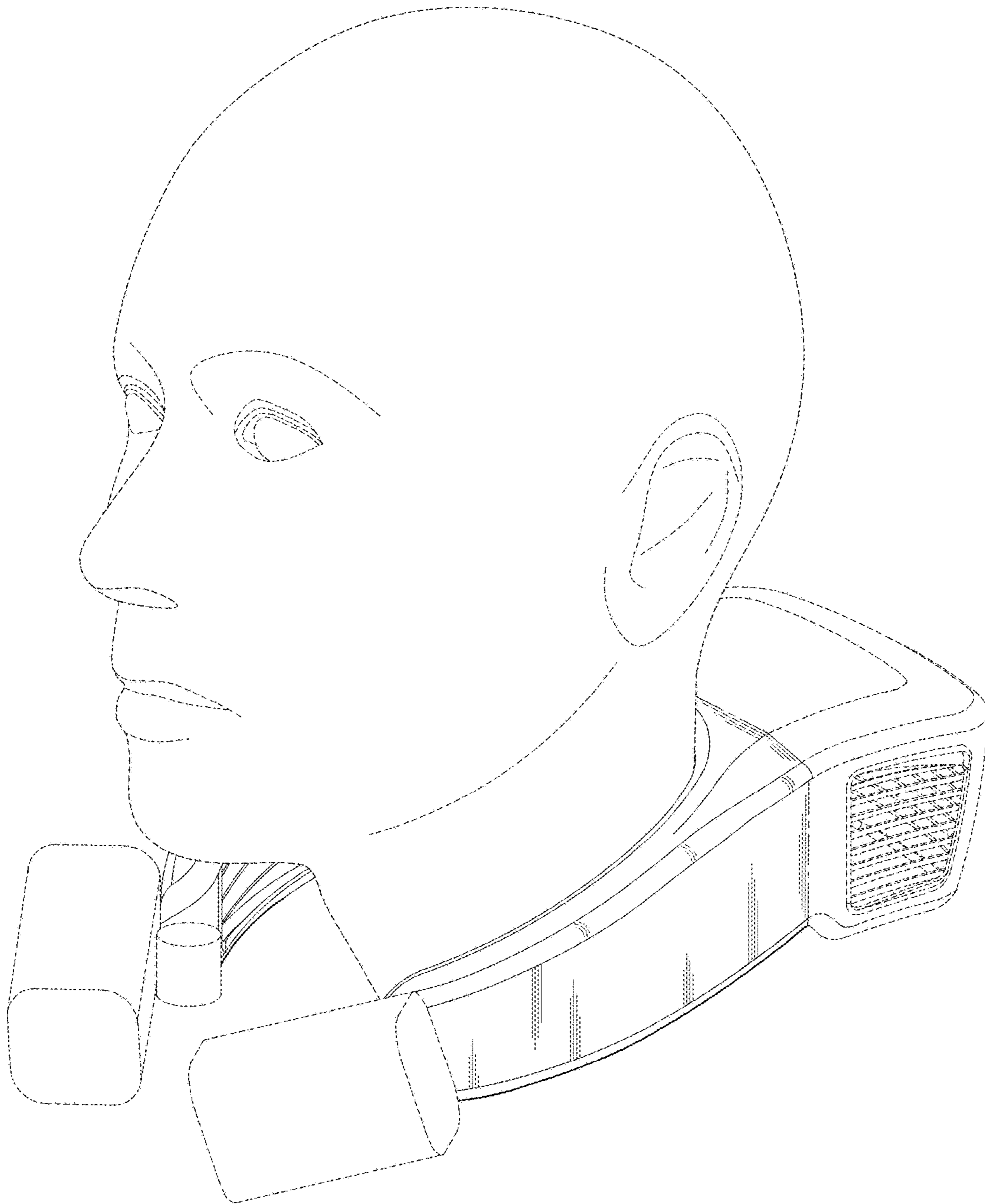


FIG. 8

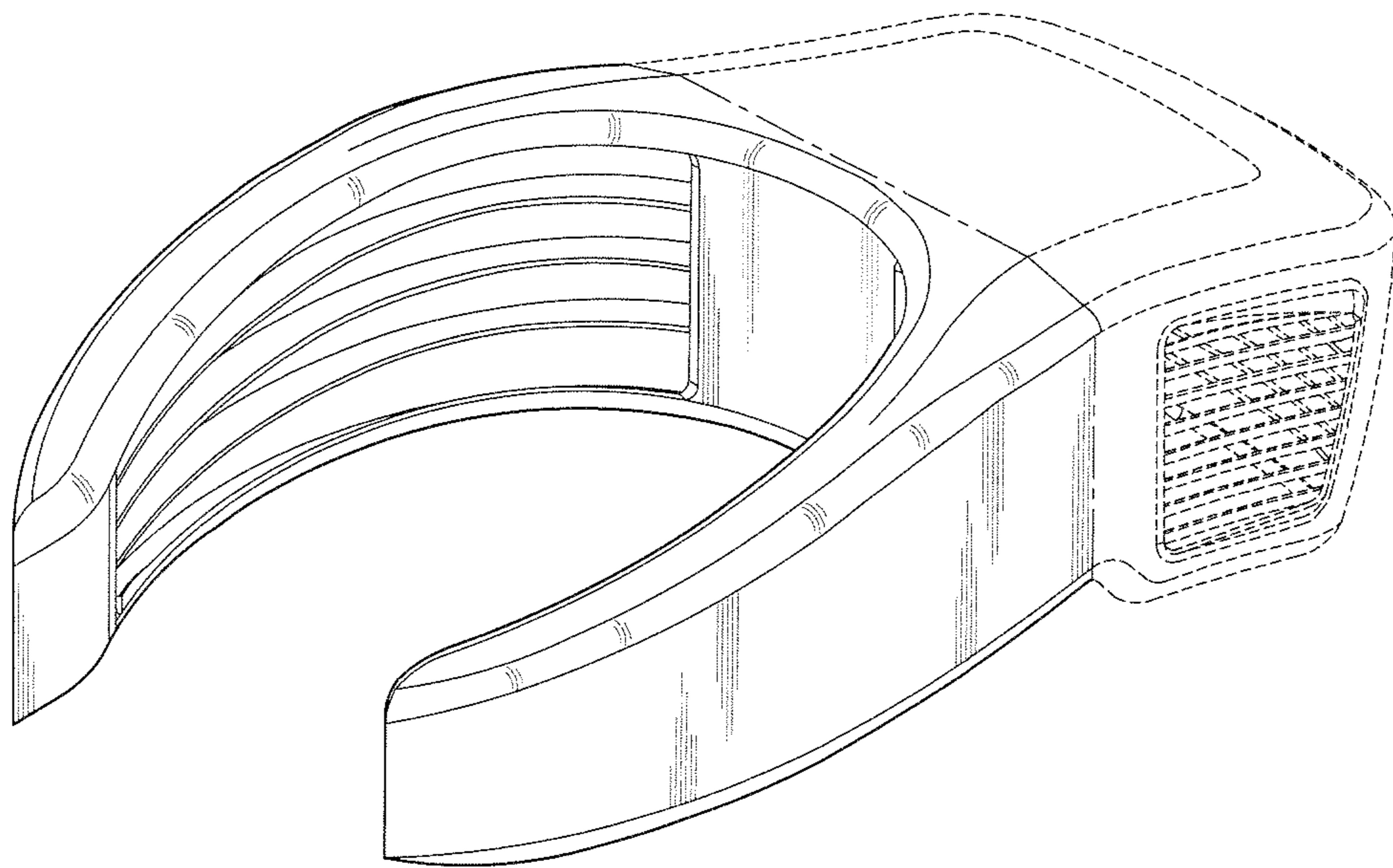


FIG. 9