



US00D777887S

(12) **United States Design Patent**
Johansen

(10) **Patent No.:** **US D777,887 S**
(45) **Date of Patent:** **** Jan. 31, 2017**

(54) **GRATING**

(71) Applicant: **Blucher Metal A/S, Vildbjerg (DK)**

(72) Inventor: **Per Thanning Johansen, Silkeborg (DK)**

(73) Assignee: **BLUCHER METAL A/S, Vildbjerg (DK)**

(**) Term: **15 Years**

(21) Appl. No.: **29/560,989**

(22) Filed: **Apr. 12, 2016**

Related U.S. Application Data

(62) Division of application No. 29/500,507, filed on Aug. 26, 2014.

(30) **Foreign Application Priority Data**

Feb. 28, 2014 (EM) 002415398

(51) **LOC (10) Cl.** **23-01**

(52) **U.S. Cl.**
USPC **D23/261**

(58) **Field of Classification Search**

USPC D23/259–263, 266–269, 233; 251/215, 251/216; 285/369, 372, 373, 417, 133.11, 285/133.3, 133.21, 133.4, 133.5, 133.6; 137/247, 247.41, 247.51
CPC F16L 11/00; F16L 37/252; F16L 41/007; E03C 1/26; E03C 1/262; E03C 1/28; E03F 5/04; A61B 5/00; A61M 25/09016

See application file for complete search history.

(56) **References Cited**

U.S. PATENT DOCUMENTS

1,904,423 A * 4/1933 Eby G01F 23/162
138/30
3,525,105 A * 8/1970 Richards E03C 1/262
4/287

D255,744 S 7/1980 Dekko
5,130,016 A 7/1992 Gavin
D422,061 S 3/2000 Lee
6,908,549 B2 6/2005 Middleton et al.
D528,193 S 9/2006 Lee
7,144,185 B2 12/2006 Messerschmidt et al.
7,419,588 B2 9/2008 Lawson
7,490,375 B2 * 2/2009 Luk E03C 1/264
210/238
D599,444 S * 9/2009 Jones D23/261
D670,362 S * 11/2012 Eylon D23/261
D672,438 S * 12/2012 Noel D23/261

(Continued)

OTHER PUBLICATIONS

U.S. Appl. No. 29/500,507, filed Aug. 26, 2014, Johansen.

(Continued)

Primary Examiner — Sandra Snapp

(74) *Attorney, Agent, or Firm* — Sheridan Ross PC

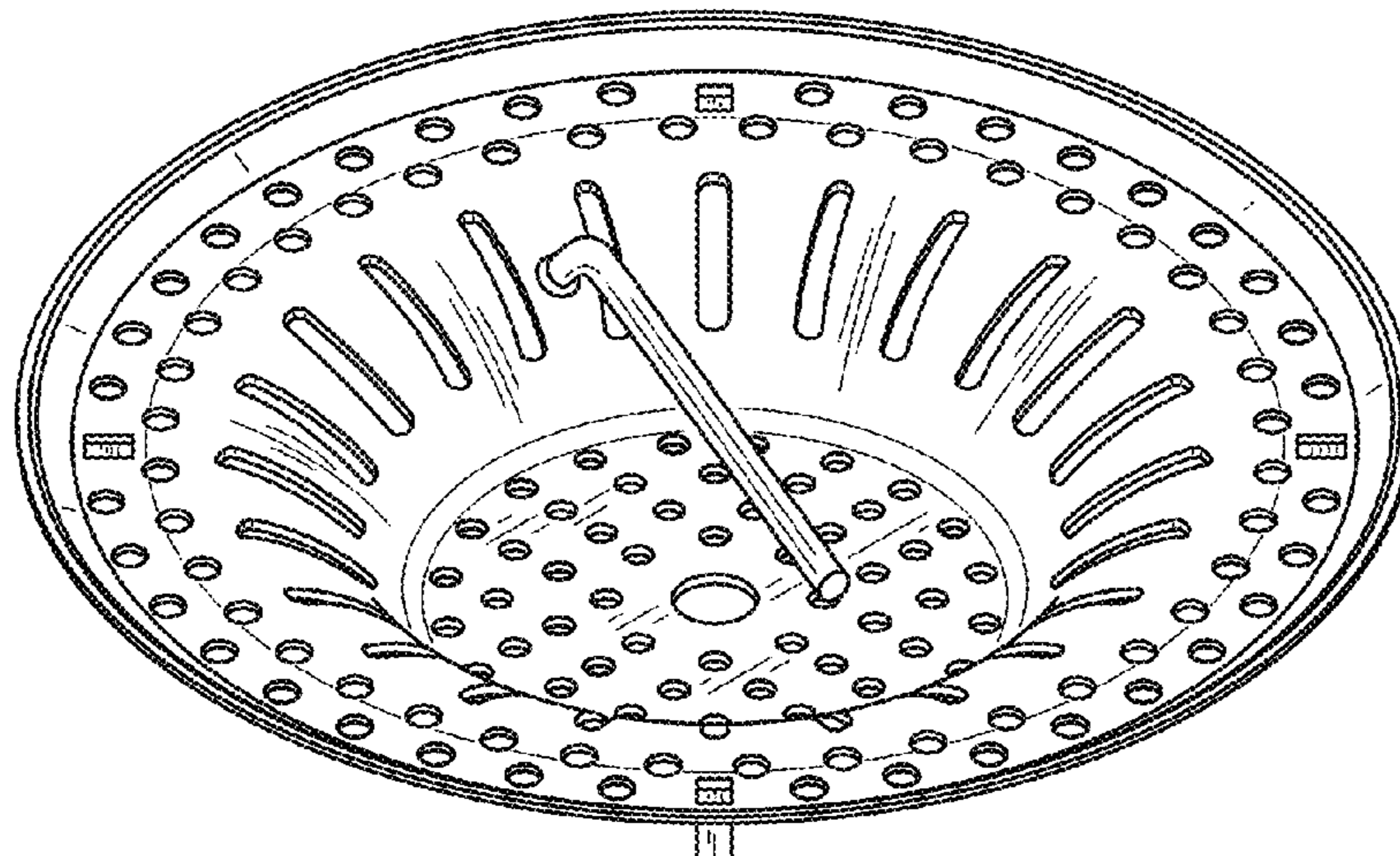
(57) **CLAIM**

The ornamental design for a grating, as shown and described.

DESCRIPTION

FIG. 1 is a perspective view of the grating;
FIG. 2 is a top plan view of the embodiment of FIG. 1;
FIG. 3 is a bottom plan view of the embodiment of FIG. 1;
FIG. 4 is a front elevation view of the embodiment of FIG. 1;
FIG. 5 is a rear elevation view of the embodiment of FIG. 1;
FIG. 6 is a left side view of the embodiment of FIG. 1; and,
FIG. 7 is a right side view of the embodiment of FIG. 1.

1 Claim, 3 Drawing Sheets



(56)

References Cited

U.S. PATENT DOCUMENTS

D673,246 S *	12/2012	Lee	D23/260
D677,764 S *	3/2013	Laera	D23/260
D687,524 S	8/2013	Heiser	
D687,525 S	8/2013	Heiser	
8,951,413 B2	2/2015	Lawson	
D728,077 S *	4/2015	Luo	D23/260
D743,509 S *	11/2015	Traub	D23/261
D749,706 S *	2/2016	Johansen	D23/260
D761,942 S *	7/2016	Santos	D23/261

OTHER PUBLICATIONS

U.S. Appl. No. 29/560,995, filed Apr. 12, 2016, Johansen.
Office Action for U.S. Appl. No. 29/500,507, mailed Feb. 12, 2016,
5 pages.
Notice of Allowance for U.S. Appl. No. 29/500,507, mailed Jun. 24,
2016, 9 pages.

* cited by examiner

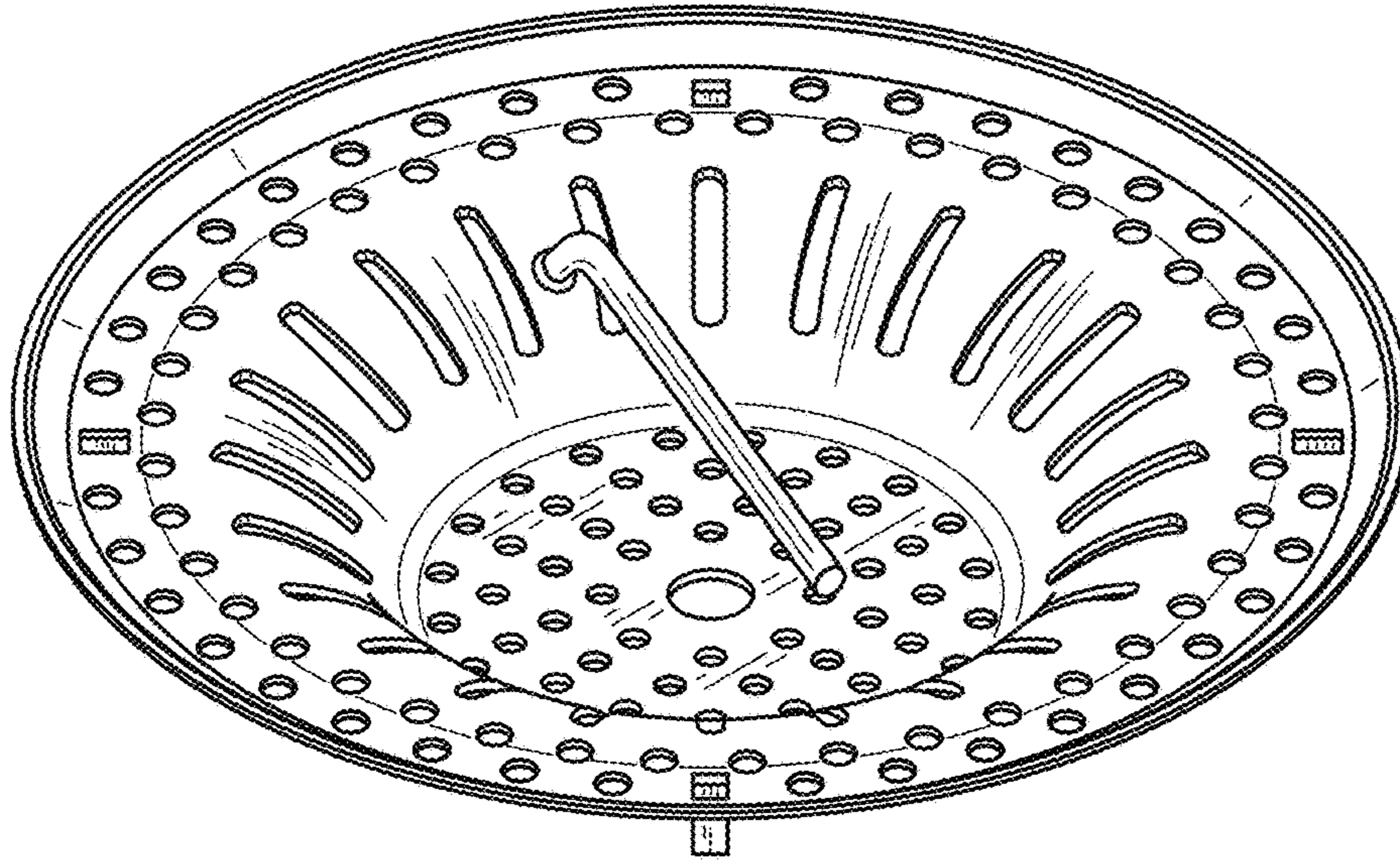


FIG. 1

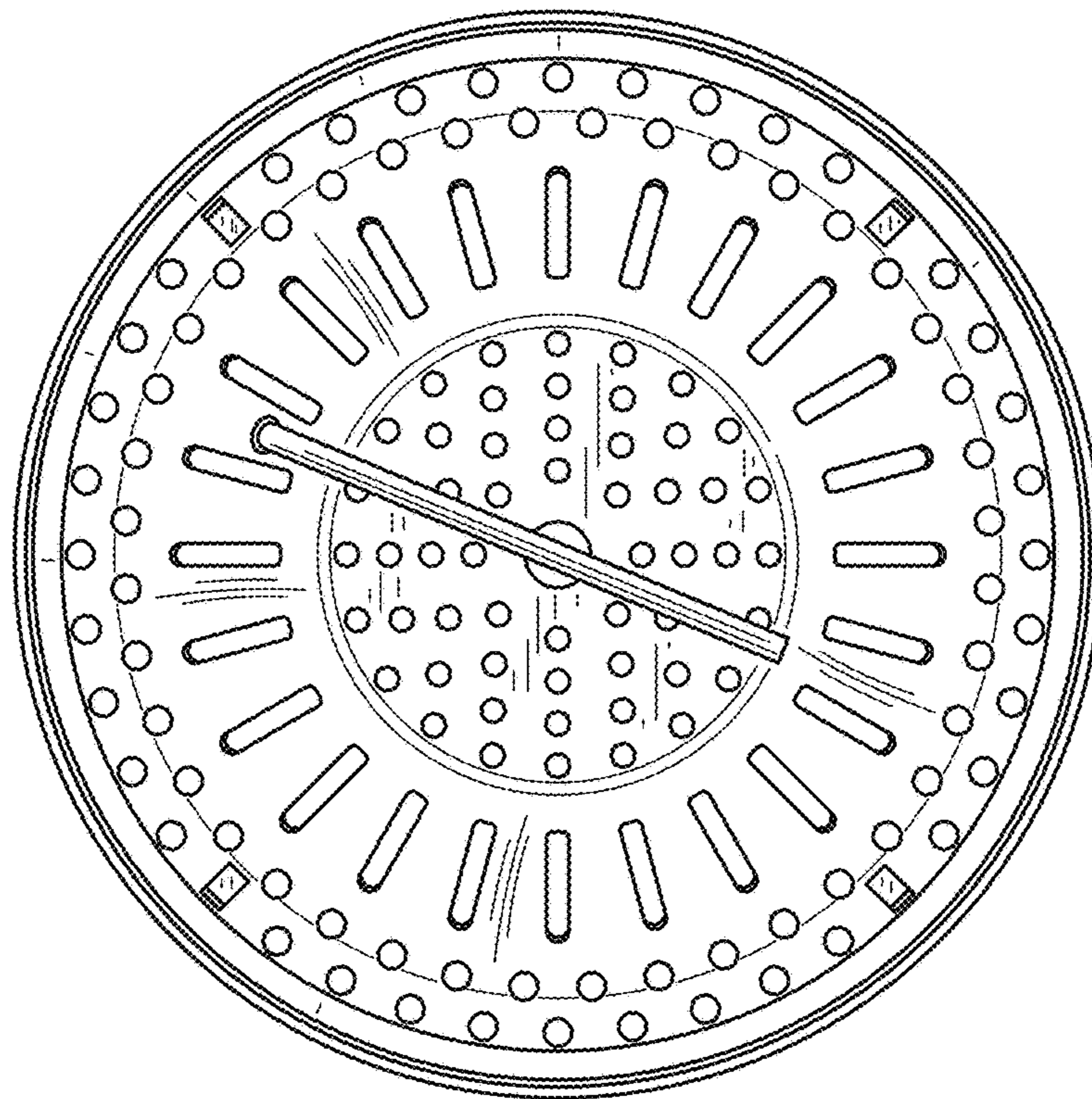


FIG. 2

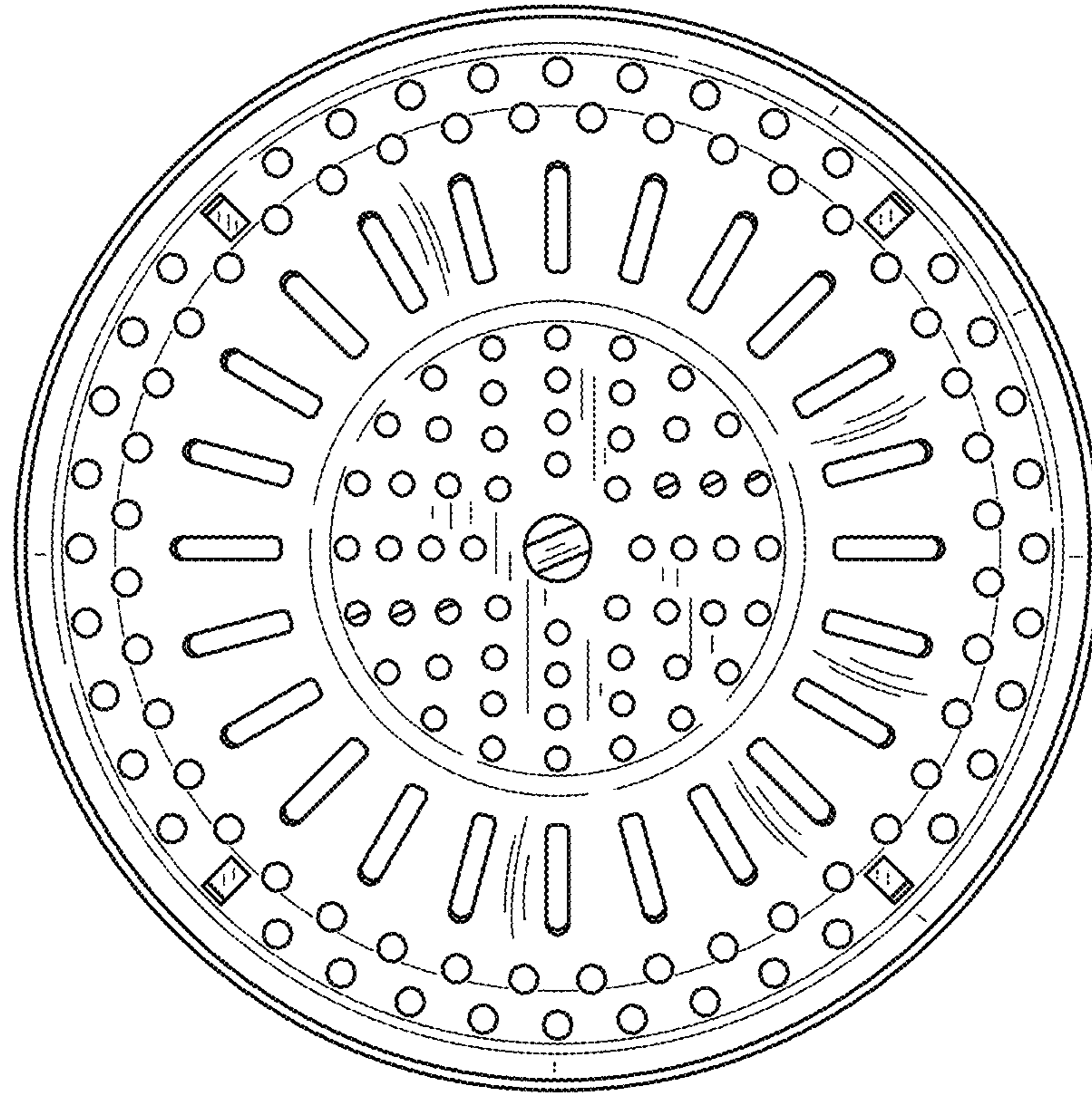


FIG. 3

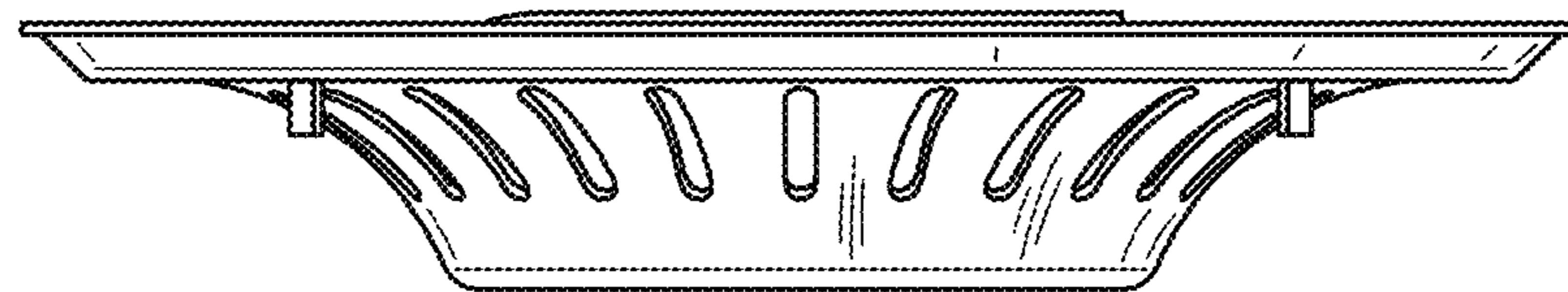


FIG. 4

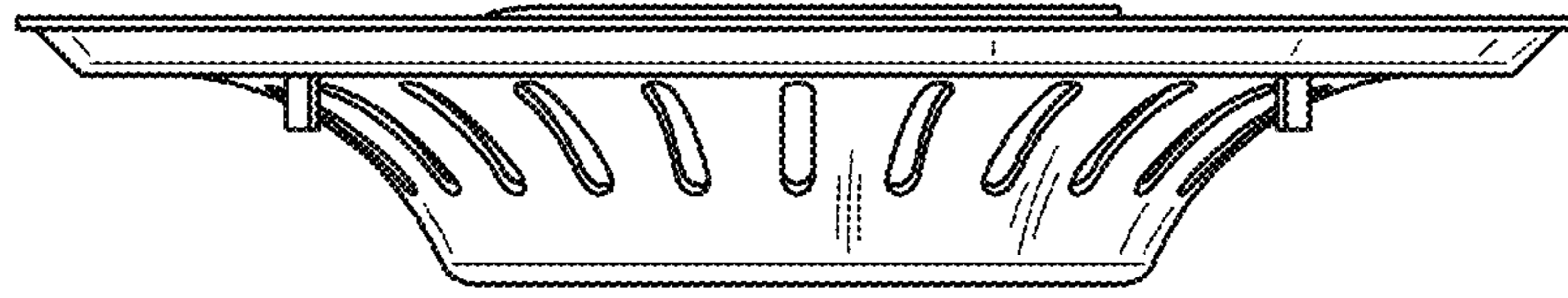


FIG. 5

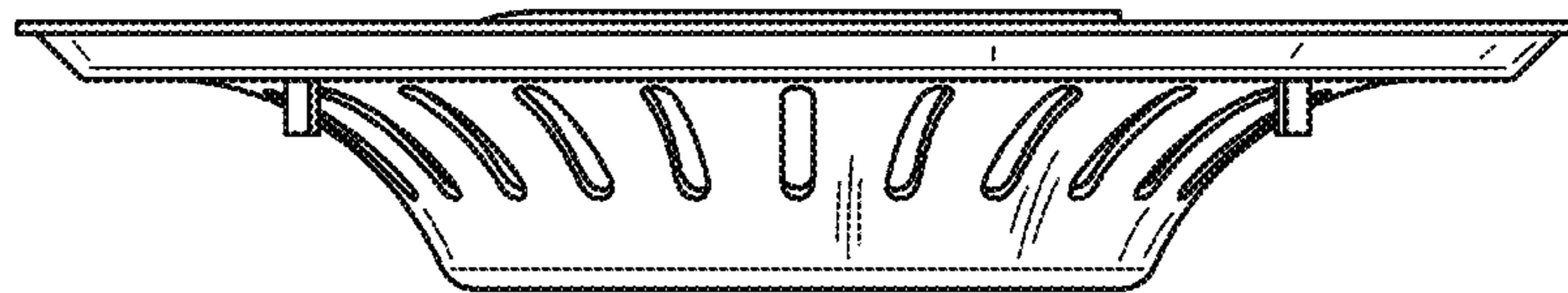


FIG. 6

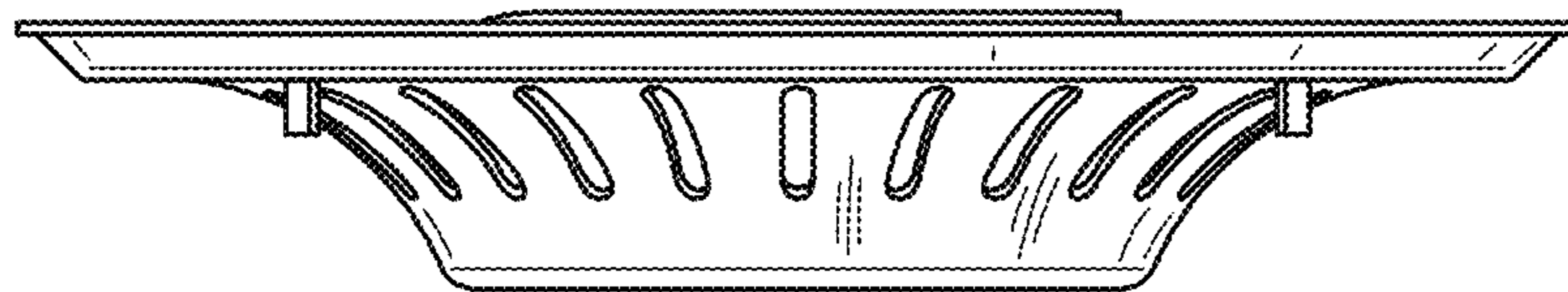


FIG. 7