

US00D777886S

(12) **United States Design Patent** (10) **Patent No.:** **US D777,886 S**
Johansen (45) **Date of Patent:** **** Jan. 31, 2017**

(54) **ELEMENTS FOR DRAIN CHANNELS**

(56) **References Cited**

(71) Applicant: **BLUCHER METAL A/S**, Vildbjerg (DK)

U.S. PATENT DOCUMENTS

(72) Inventor: **Per Thanning Johansen**, Silkeborg (DK)

D261,312 S *	10/1981	Schmidt	D25/119
D317,513 S *	6/1991	Miller	D13/155
D318,139 S *	7/1991	Miller	D13/155
D345,498 S *	3/1994	Fraser	D25/119
D347,071 S *	5/1994	Tanikawa	D25/119
D417,607 S *	12/1999	Vining	D25/119
6,341,458 B1 *	1/2002	Burt	E04F 13/0864 52/287.1
D489,463 S *	5/2004	Barnett	D25/119
D525,371 S *	7/2006	Levi-Senigaglia	D25/119
D557,429 S *	12/2007	Bullock, Jr.	D25/119
D638,142 S *	5/2011	Van Camp	D25/119
D652,569 S *	1/2012	Trzesniowski	D26/138
D745,192 S *	12/2015	Suciu	D25/119

(73) Assignee: **BLUCHER METAL A/S**, Vildbjerg (DK)

(**) Term: **14 Years**

(21) Appl. No.: **29/510,370**

(22) Filed: **Nov. 26, 2014**

(30) **Foreign Application Priority Data**

May 27, 2014	(EM)	002471276-0001
May 27, 2014	(EM)	002471276-0002
May 27, 2014	(EM)	002471276-0003

(51) **LOC (10) Cl.** **23-01**

(52) **U.S. Cl.**
USPC **D23/261**

(58) **Field of Classification Search**
USPC D23/259-263, 266-269, 233; 251/215, 251/216; 285/369, 372, 373, 417, 133.11, 285/133.3, 133.21, 133.4, 133.5, 133.6; 137/347, 347.41, 347.51; D25/119
CPC F16L 11/00; F16L 37/252; F16L 41/007; E03C 1/26; E03C 1/262; E03C 1/28; E03F 5/04; A61B 5/00; A61M 25/09016

See application file for complete search history.

* cited by examiner

Primary Examiner — Sandra Snapp
(74) *Attorney, Agent, or Firm* — Sheridan Ross P.C.

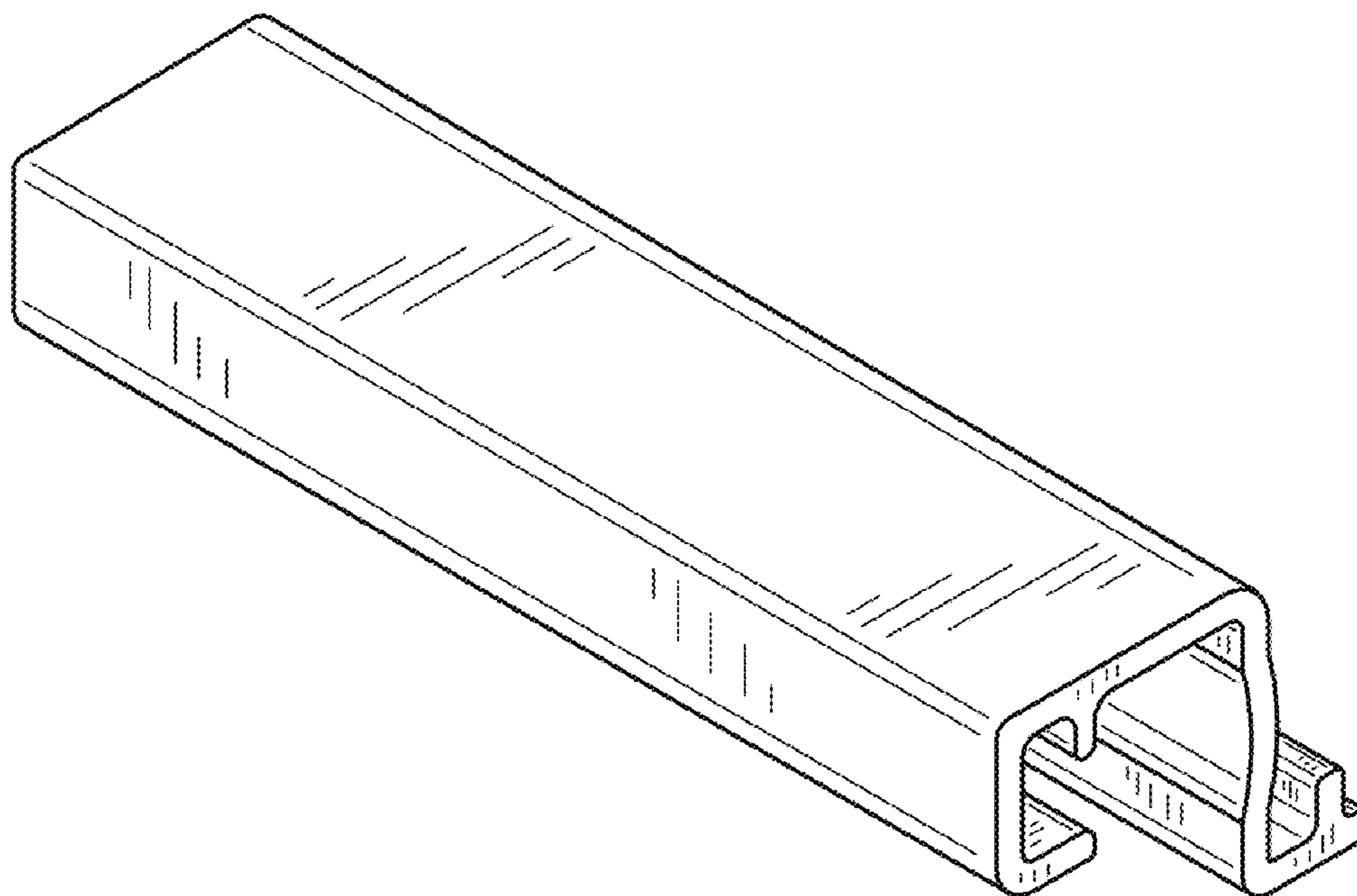
(57) **CLAIM**

The ornamental design for elements for drain channels, as shown and described.

DESCRIPTION

FIG. 1 is a perspective view of a first embodiment of the invention;
FIG. 2 is a top plan view of the first embodiment of FIG. 1;
FIG. 3 is a bottom plan view of the first embodiment of FIG. 1; and,
FIG. 4 is a left side elevation view, the rights side elevation view is a mirror image thereof.

1 Claim, 3 Drawing Sheets



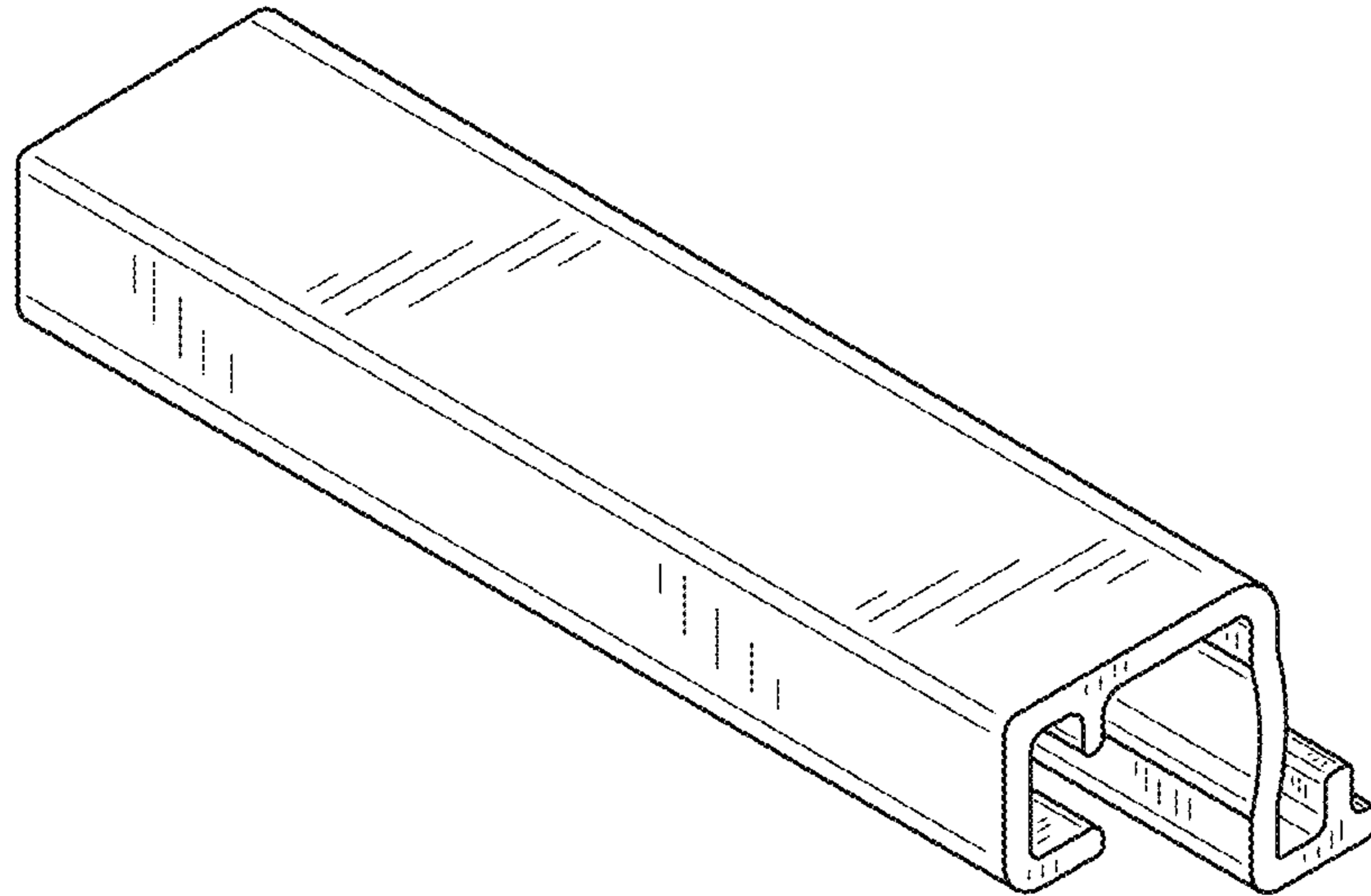


FIG.1

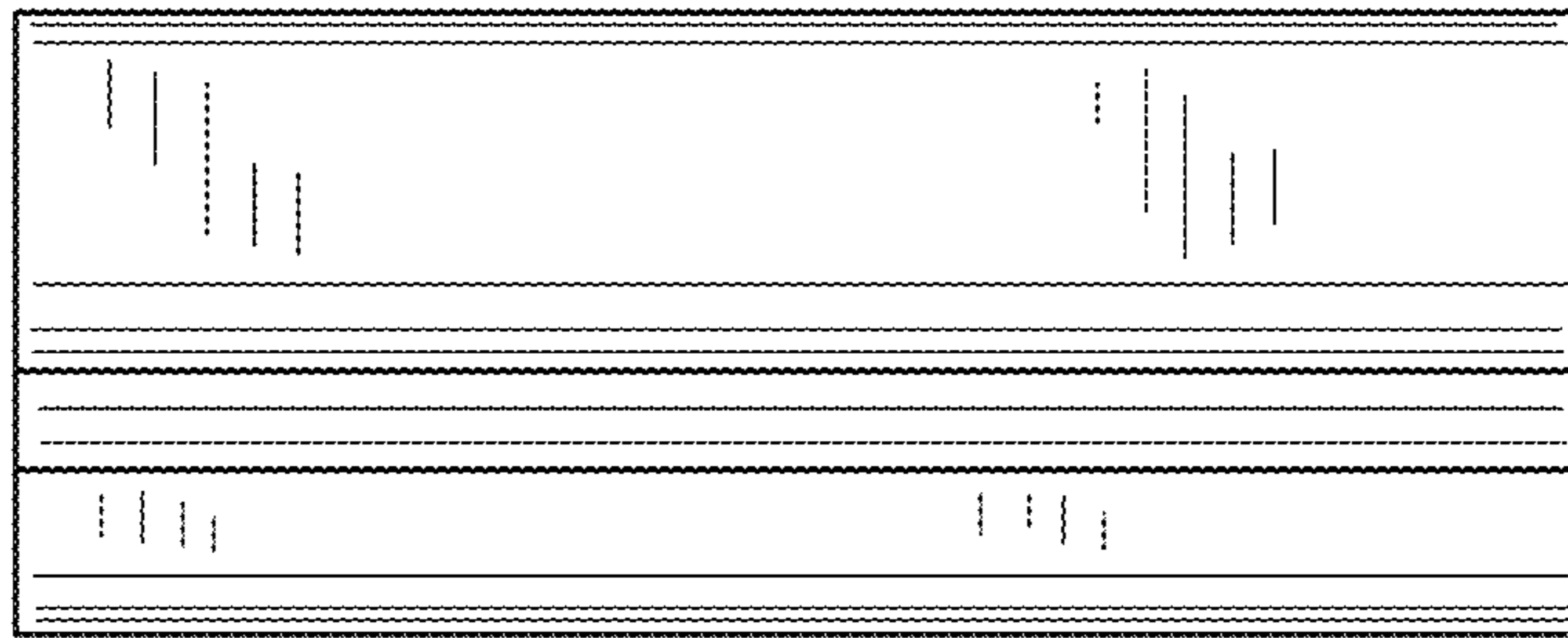


FIG.2

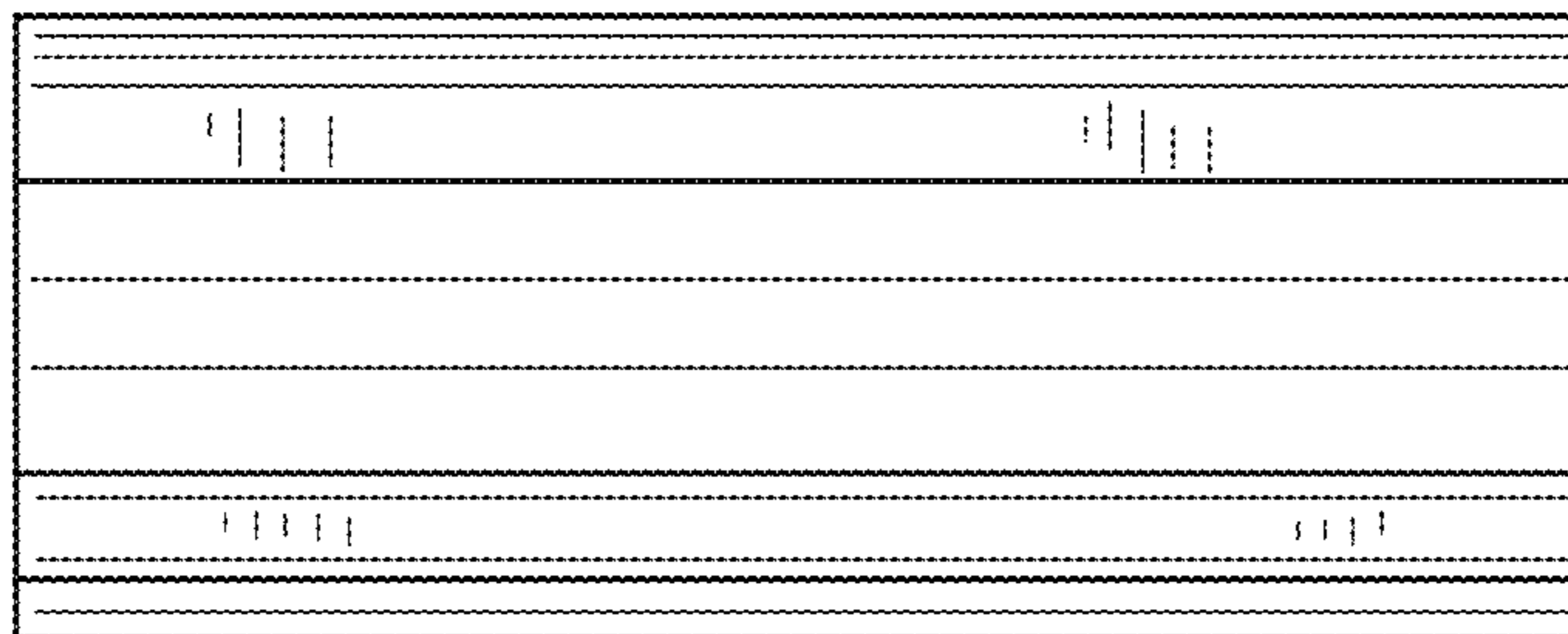


FIG.3

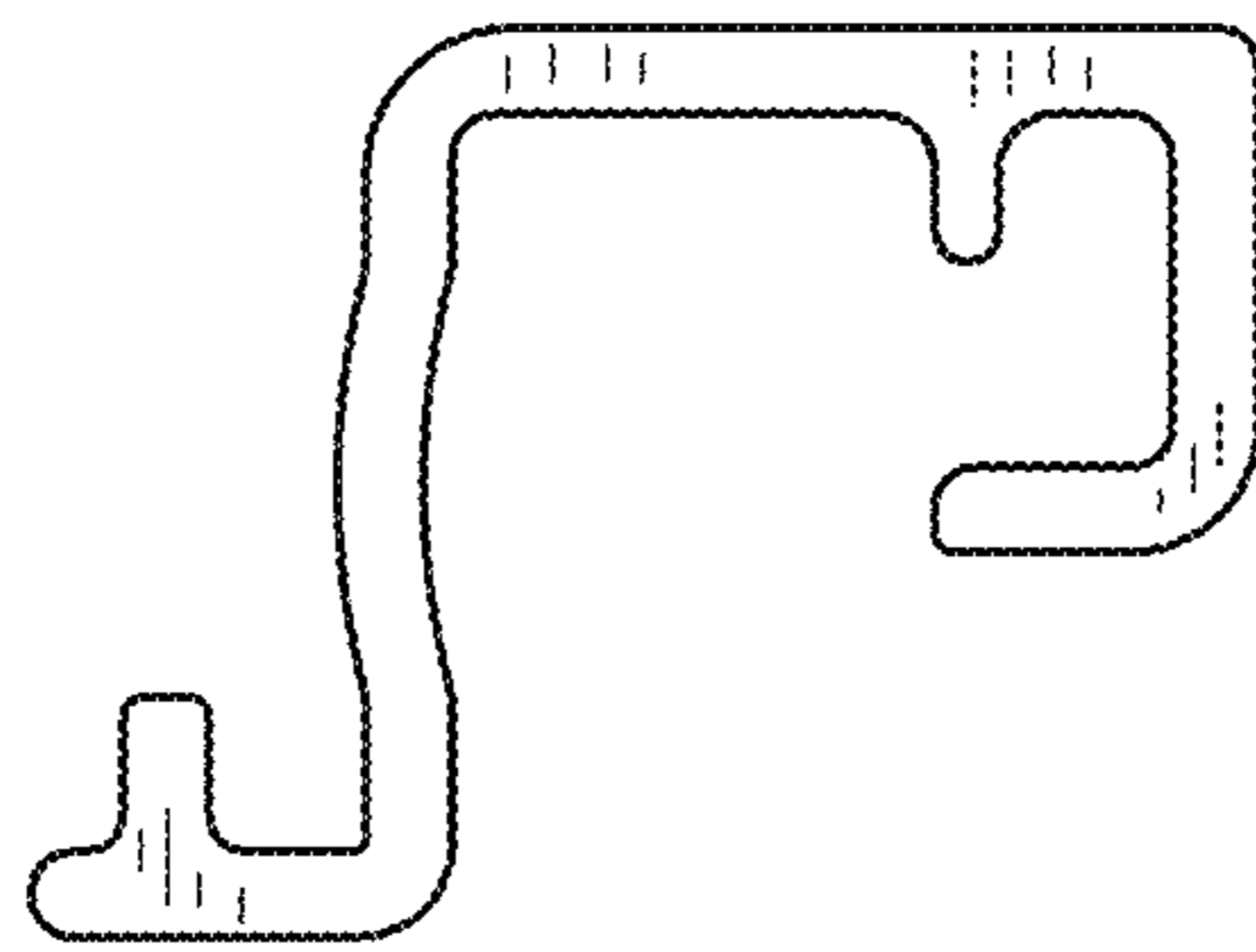


FIG.4