



US00D777885S

(12) **United States Design Patent**  
**Zhang et al.**

(10) **Patent No.:** **US D777,885 S**

(45) **Date of Patent:** **\*\* Jan. 31, 2017**

(54) **QUICK-INSTALL MECHANISM ABOVE COUNTERTOP FOR FAUCET**

(71) Applicant: **Ningbo Aoleishi Sanitary Ware Co., Ltd., Ningbo (CN)**

(72) Inventors: **Wei Zhang, Ningbo (CN); Yong Wang, Ningbo (CN); Jiade Wang, Ningbo (CN); Yier Zhang, Ningbo (CN)**

(73) Assignee: **NINGBO AOLEISHI SANITARY WARE CO., LTD., Ningbo (CN)**

(\*\*) Term: **15 Years**

(21) Appl. No.: **29/547,348**

(22) Filed: **Dec. 3, 2015**

(51) **LOC (10) Cl.** ..... **23-01**

(52) **U.S. Cl.**  
USPC ..... **D23/259**

(58) **Field of Classification Search**  
USPC ..... D23/230, 233, 235–238, 242, 258–262, D23/264–269; 4/570, 695–696; 137/15.18, 247.23, 315.4, 454.2, 454.6  
CPC ..... F16L 37/28; F16L 37/35; F16L 37/0841  
See application file for complete search history.

(56) **References Cited**

**U.S. PATENT DOCUMENTS**

809,720 A \* 1/1906 Mueller ..... E03C 1/0401  
285/123.1  
D260,280 S \* 8/1981 Campbell ..... D23/237  
4,281,857 A \* 8/1981 Randall ..... E03C 1/0401  
24/498

4,502,165 A \* 3/1985 Szemerédi ..... E03C 1/0401  
137/359  
D450,814 S \* 11/2001 Aldred ..... D15/140  
D499,464 S \* 12/2004 Caine ..... D23/233  
D627,039 S \* 11/2010 Yu ..... D23/260  
D633,988 S \* 3/2011 Ball ..... D23/259  
D700,683 S \* 3/2014 Atwell ..... D23/235  
D735,296 S \* 7/2015 Bamber ..... D23/233  
D746,415 S \* 12/2015 Lehmann ..... D23/259  
D752,719 S \* 3/2016 Lehmann ..... D23/259  
2013/0333767 A1 \* 12/2013 Schmidt ..... F16L 37/35  
137/15.18

\* cited by examiner

*Primary Examiner* — Eric Goodman

*Assistant Examiner* — Amy Wierenga

(74) *Attorney, Agent, or Firm* — Gokalp Bayramoglu

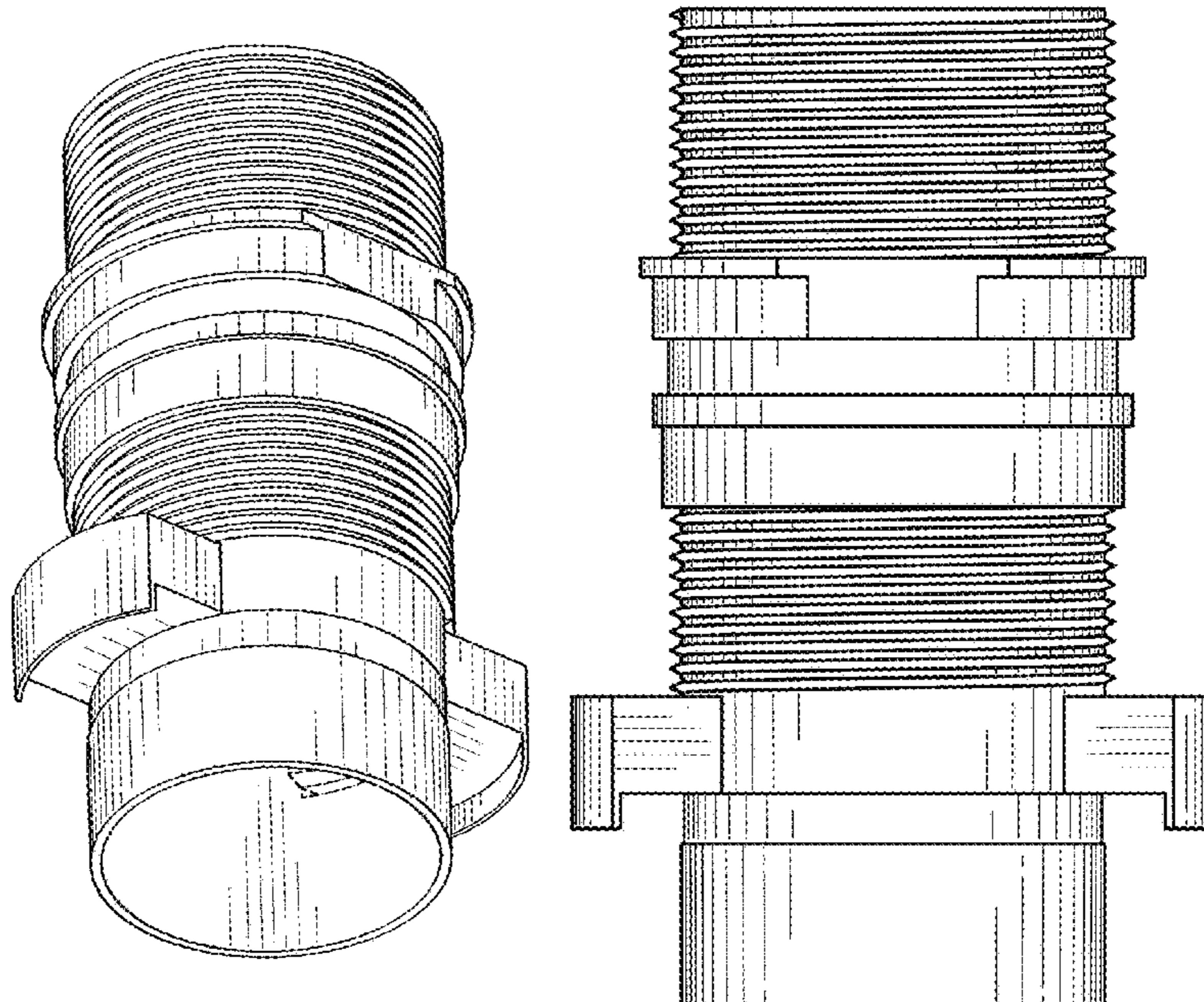
(57) **CLAIM**

The ornamental design for a quick-install mechanism above countertop for faucet, as shown and described.

**DESCRIPTION**

FIG. 1 is the perspective view of the quick-install mechanism;  
FIG. 2 is the top view thereof;  
FIG. 3 is the bottom view thereof;  
FIG. 4 is the front view thereof;  
FIG. 5 is the rear view thereof;  
FIG. 6 is the right view thereof;  
FIG. 7 is the left view thereof;  
FIG. 8 shows the article in a position of use;  
FIG. 9 shows the article in a position of use; and,  
FIG. 10 shows the article in a position of use.  
The broken lines shown in the drawings are for purposes of depicting environment only that form no part of the claim.

**1 Claim, 10 Drawing Sheets**



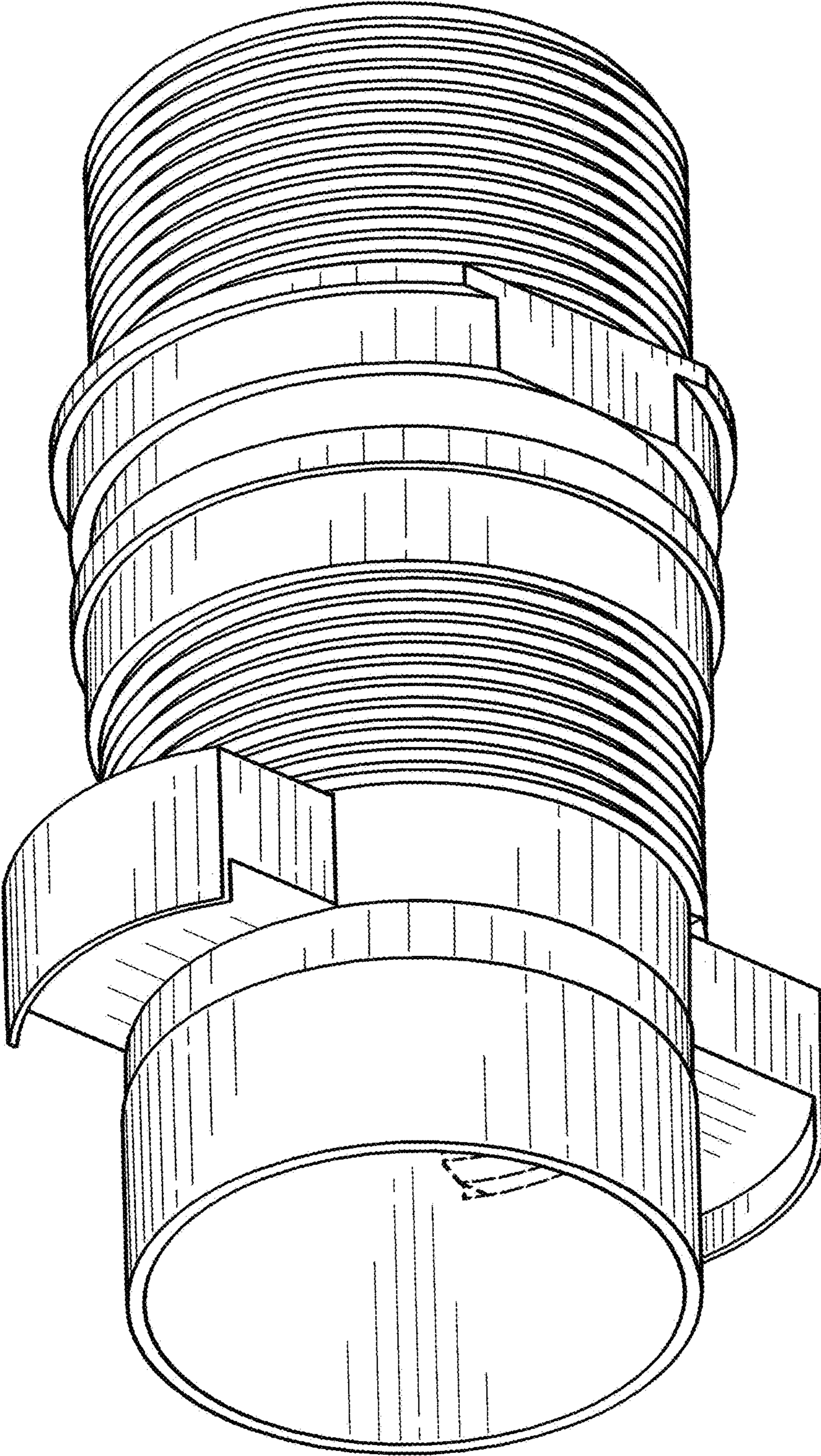


Fig. 1

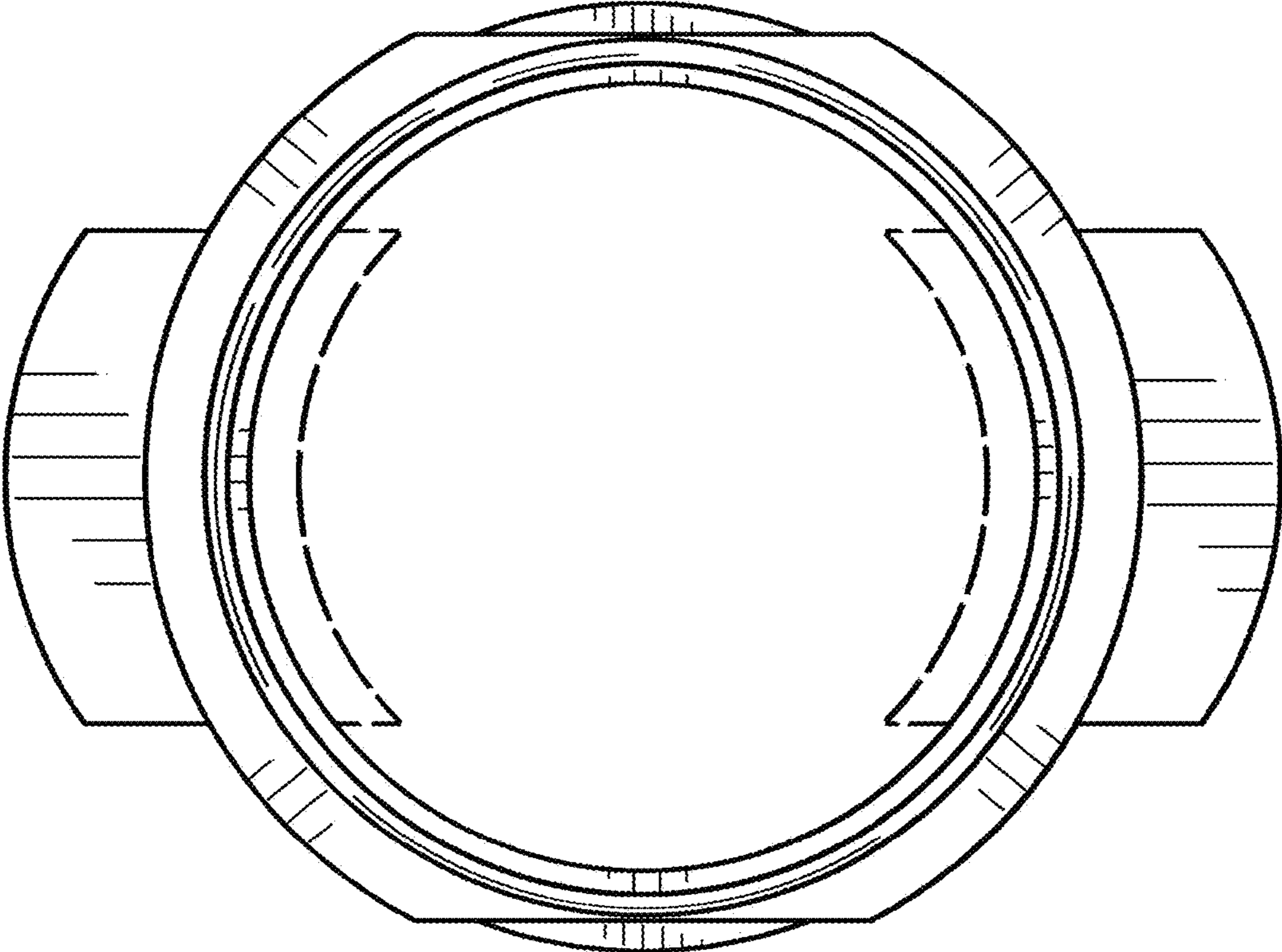


Fig. 2

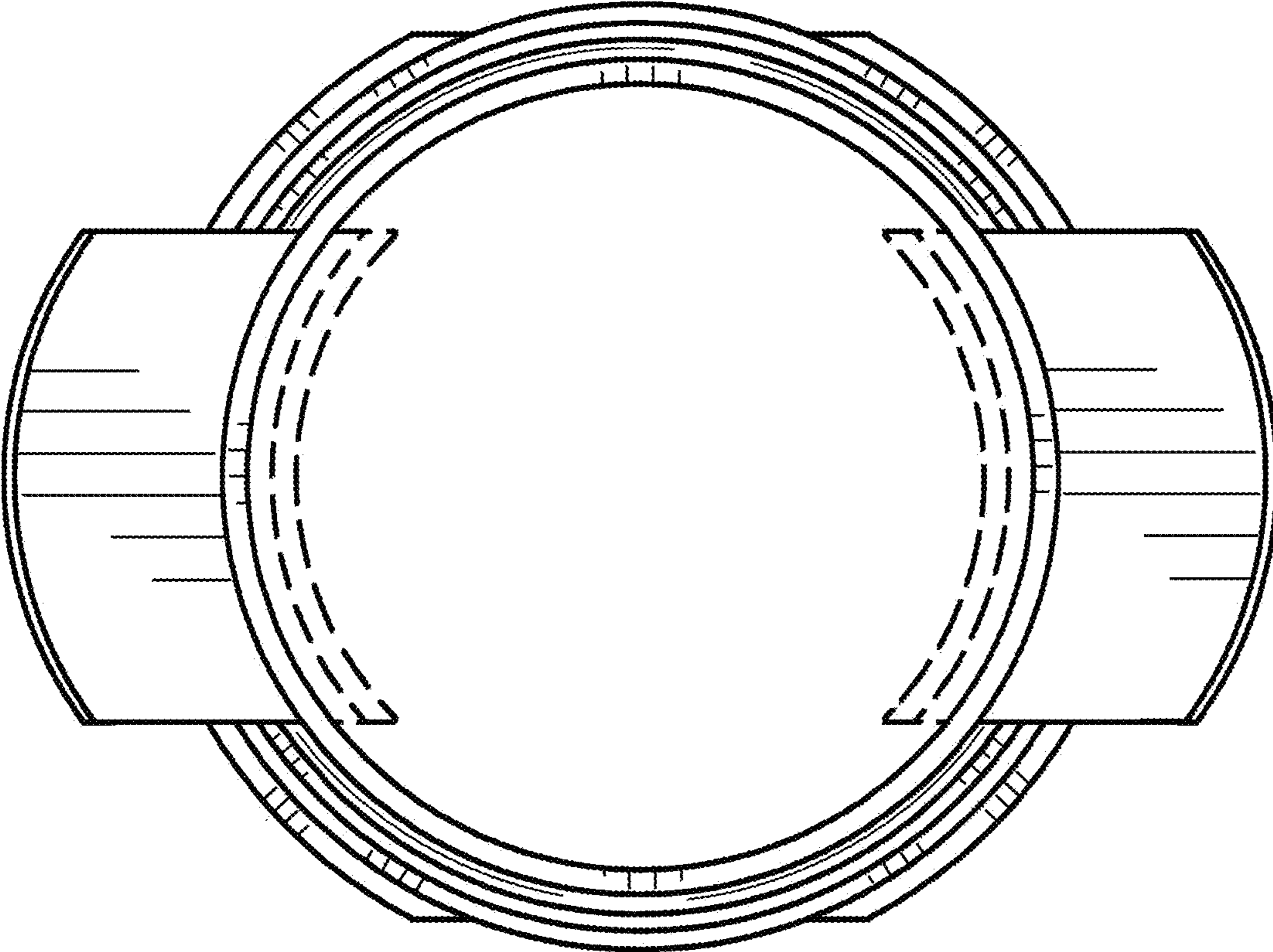


Fig. 3

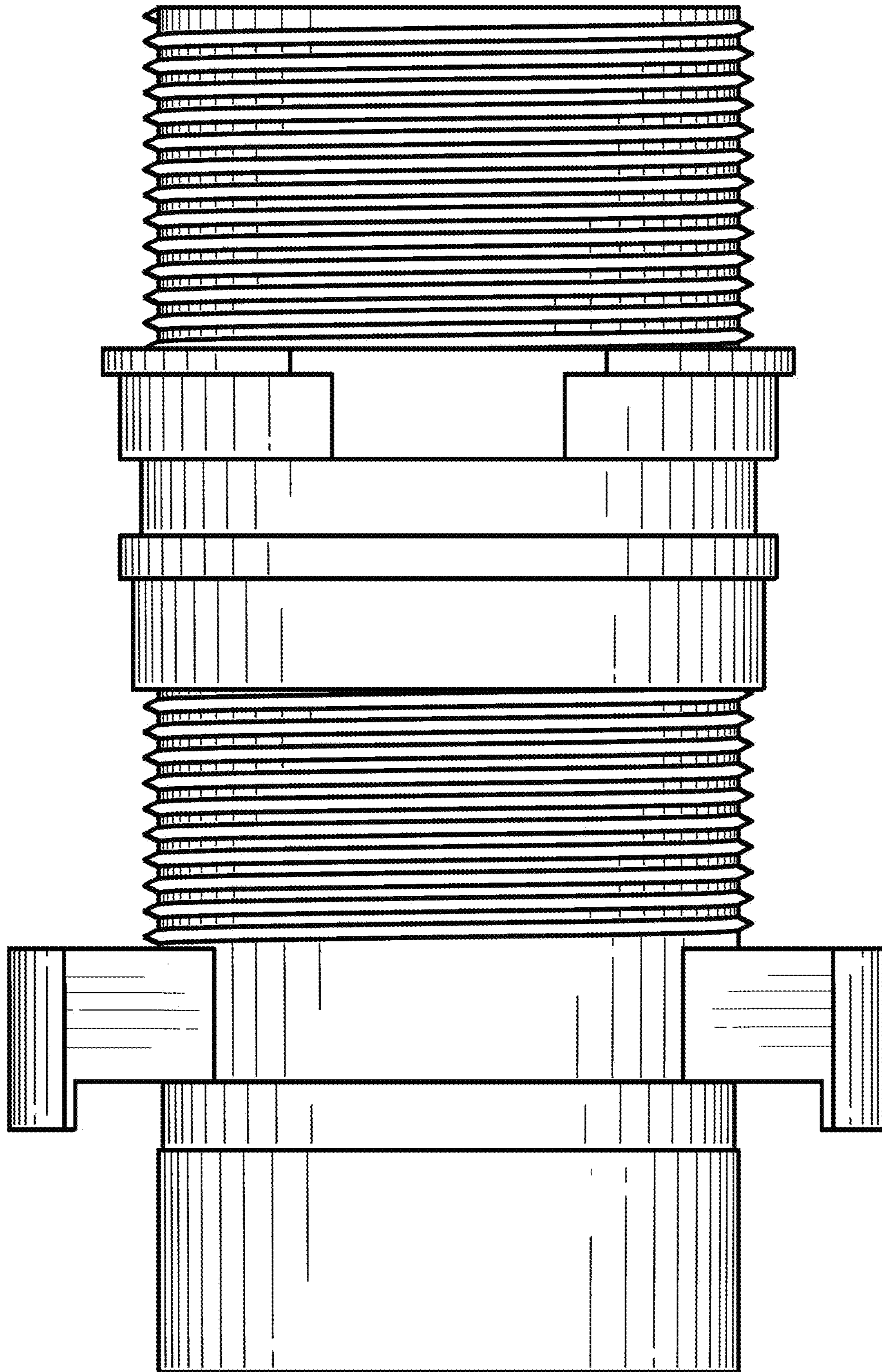


Fig. 4

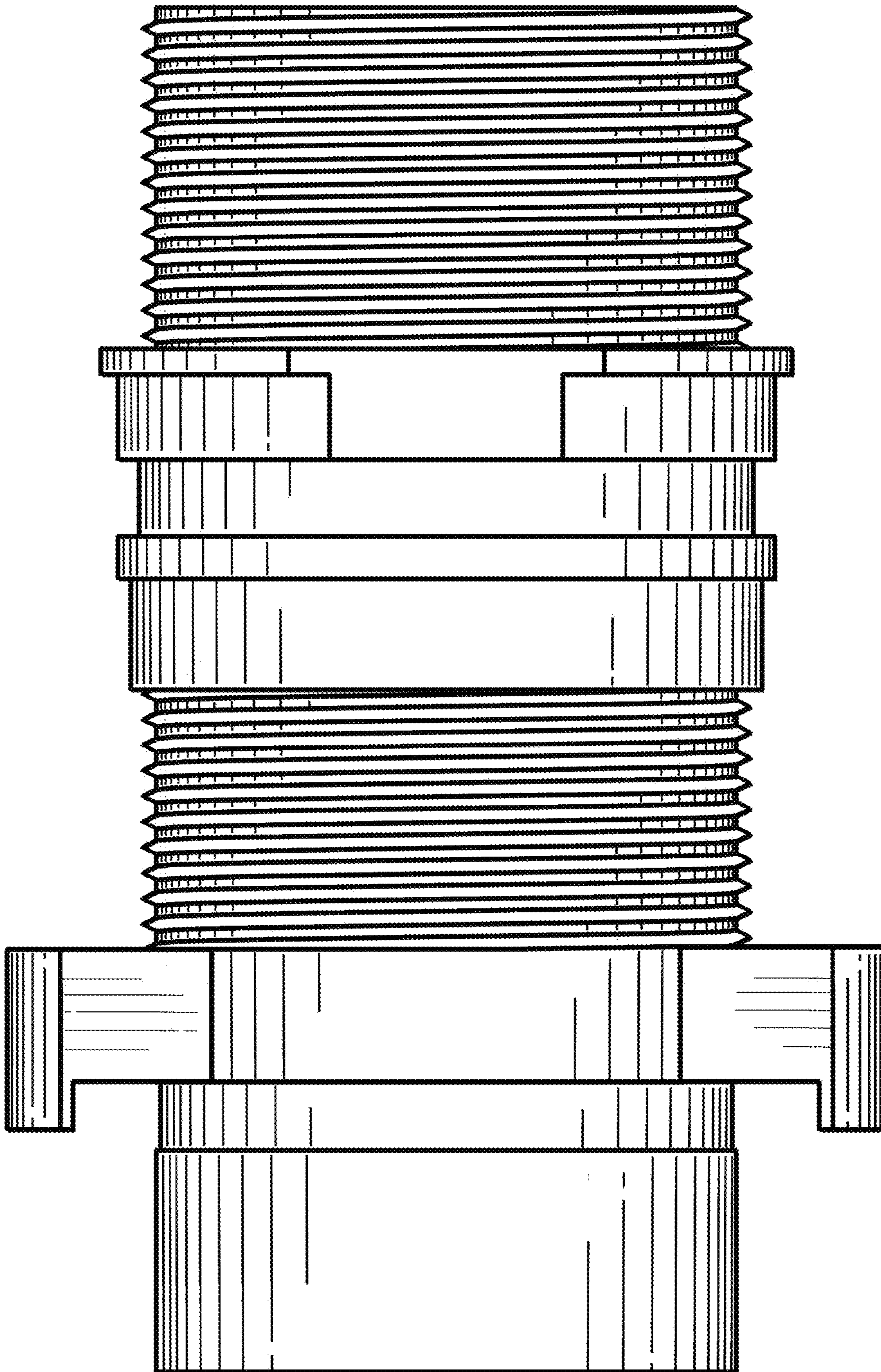


Fig. 5

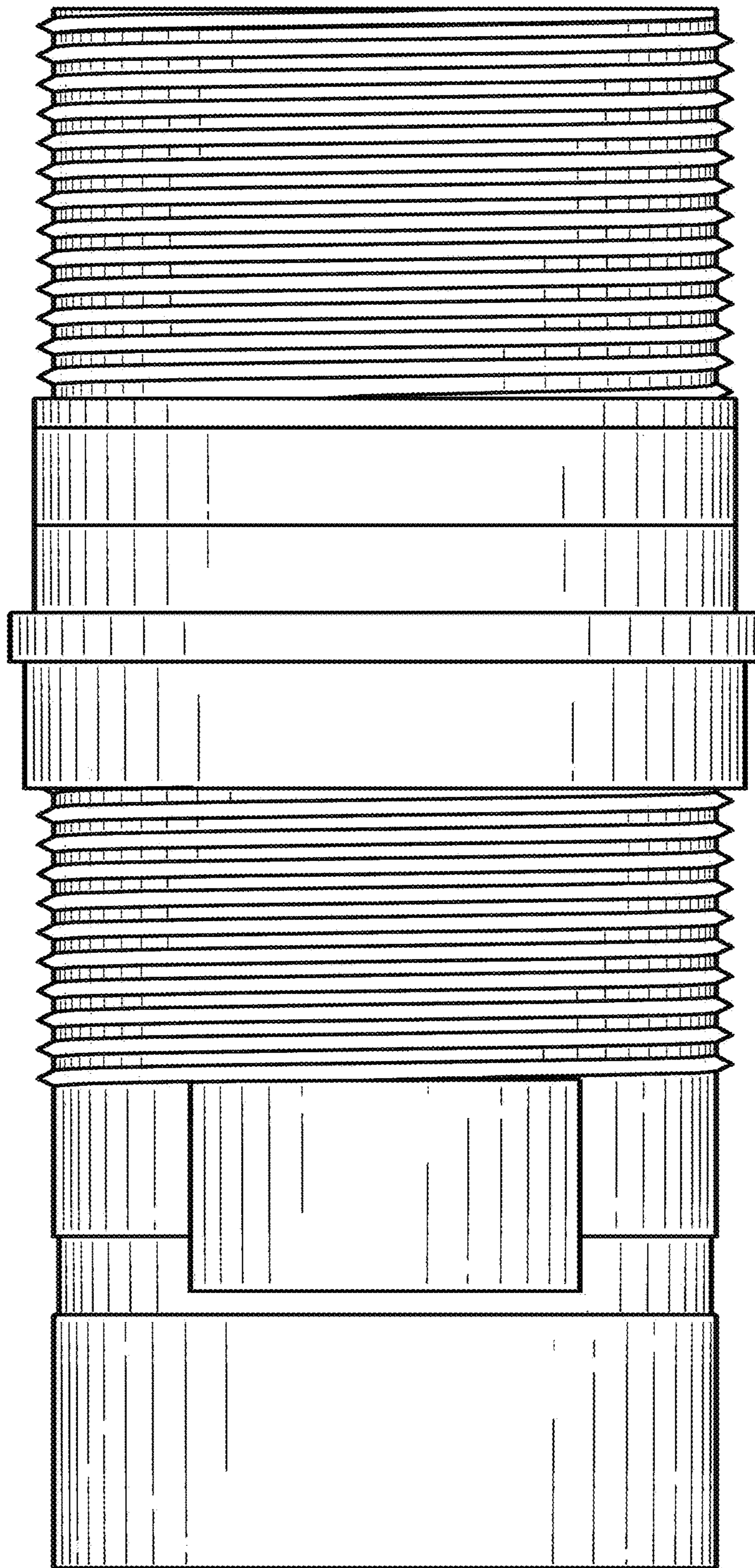


Fig. 6

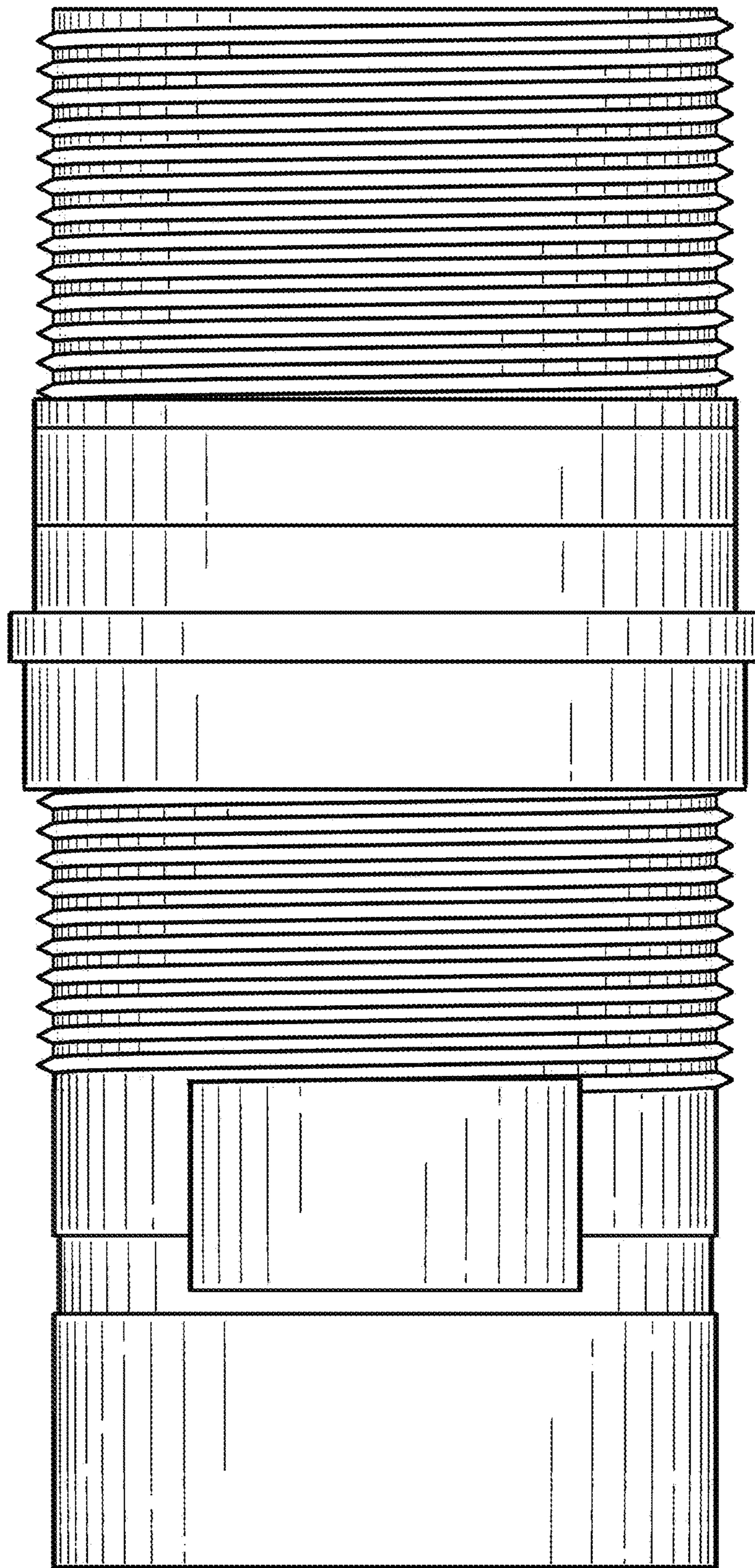


Fig. 7



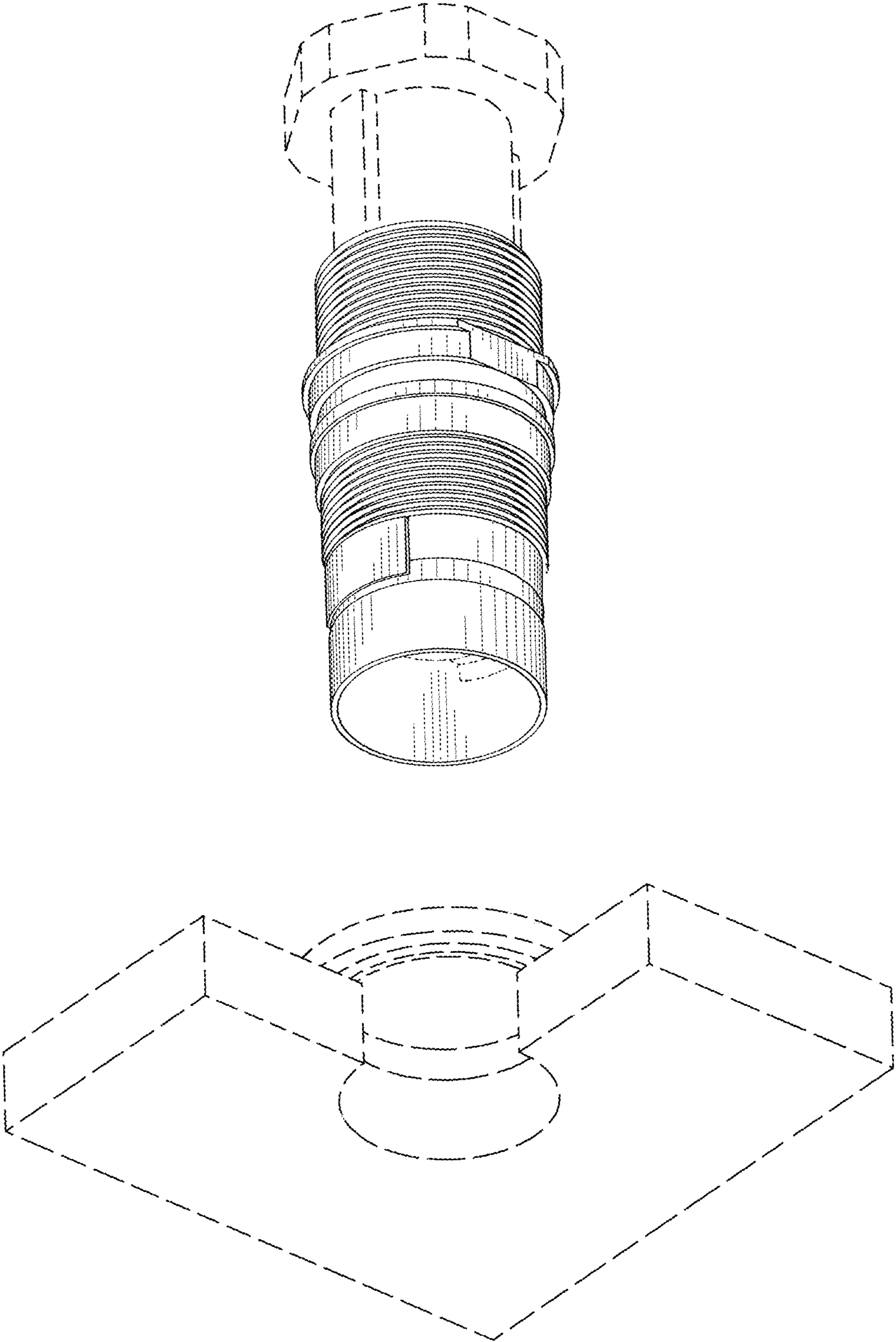


Fig. 8

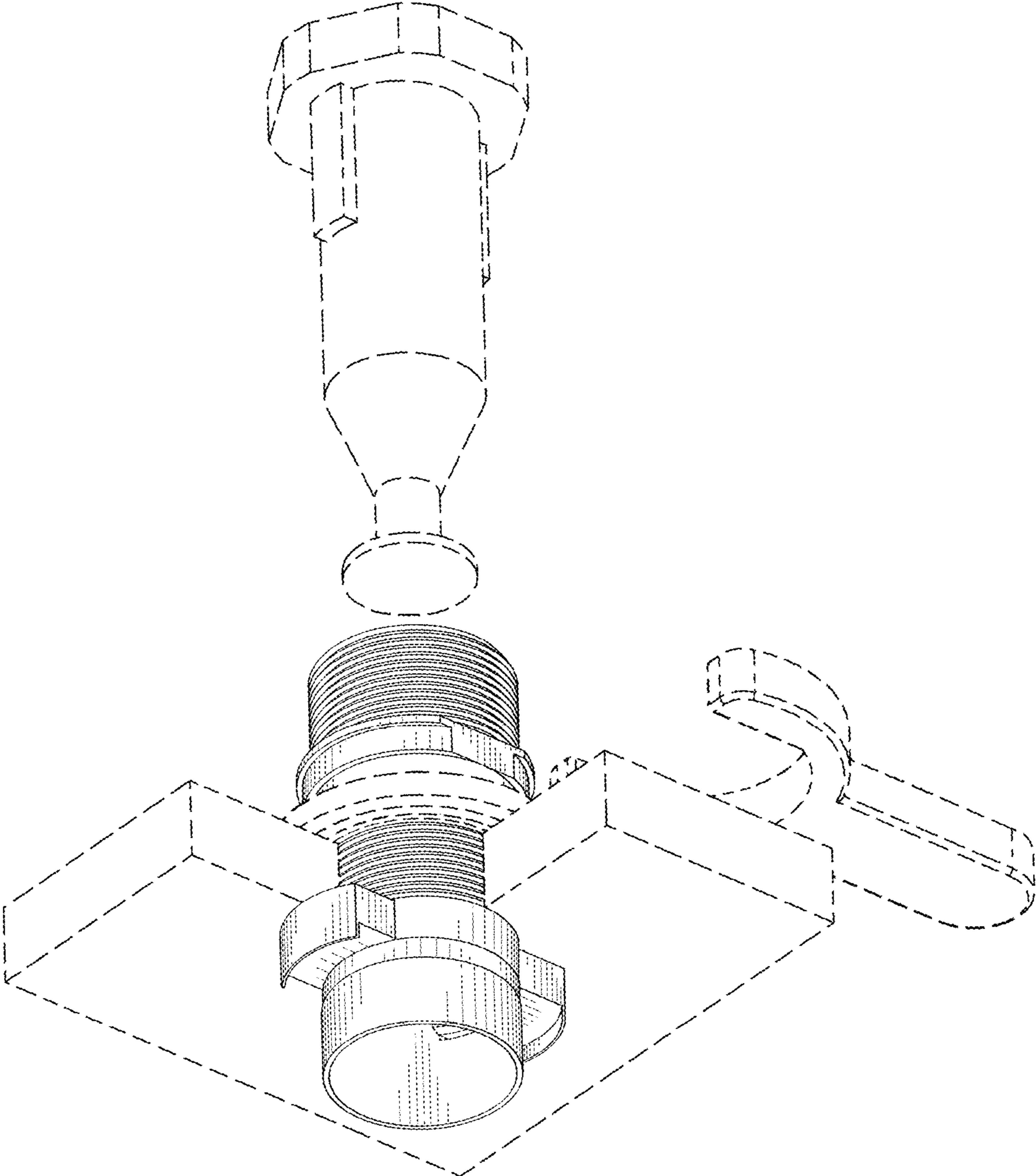


Fig. 9

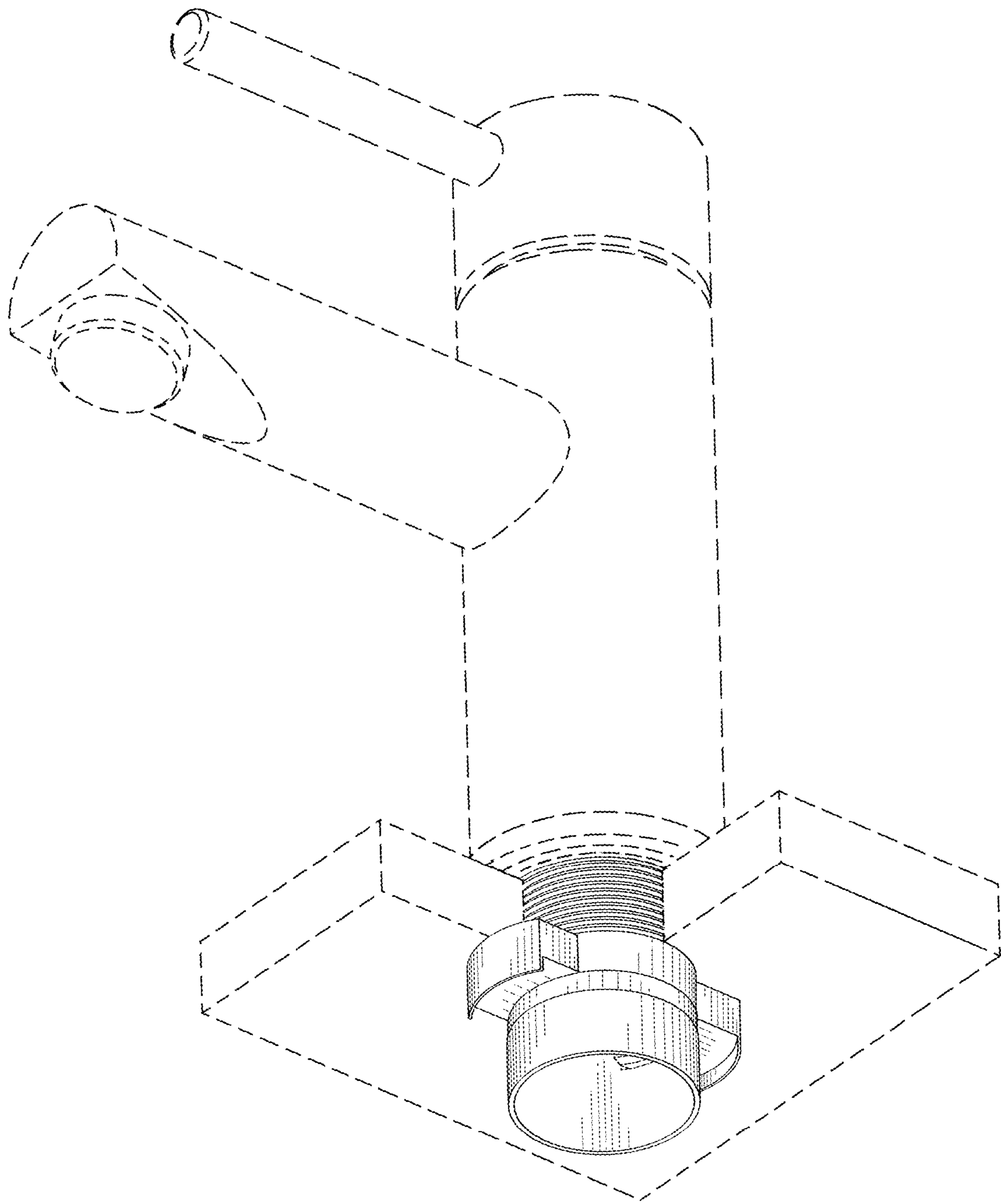


Fig. 10