



US00D777882S

(12) **United States Design Patent**
Hong

(10) **Patent No.:** **US D777,882 S**

(45) **Date of Patent:** **** Jan. 31, 2017**

(54) **HANDLE**

(71) Applicant: **Kohler Co.**, Kohler, WI (US)

(72) Inventor: **Zheyang Hong**, Sheboygan, WI (US)

(73) Assignee: **KOHLER CO.**, Kohler, WI (US)

(**) Term: **15 Years**

(21) Appl. No.: **29/565,916**

(22) Filed: **May 25, 2016**

Related U.S. Application Data

(62) Division of application No. 29/519,946, filed on Mar. 9, 2015, now Pat. No. Des. 767,723.

(51) **LOC (10) Cl.** **23-01**

(52) **U.S. Cl.**

USPC **D23/252**

(58) **Field of Classification Search**

USPC D23/238–243, 249–250, 252,
D23/254–255, 257, 253

CPC E03C 1/04; E03C 1/0401; E03C 1/0402;
E03C 1/0404; F16K 31/602; F16K
31/605; F16K 31/607

See application file for complete search history.

(56) **References Cited**

U.S. PATENT DOCUMENTS

D325,424 S 4/1992 Dannenberg
D326,139 S 5/1992 Ragonot

D550,812 S 9/2007 Haug
D586,881 S 2/2009 Lammel
D605,261 S 12/2009 Allard
D628,277 S 11/2010 Montgomery
D636,467 S 4/2011 Schoenherr
D644,303 S 8/2011 Slothower et al.
D644,718 S 9/2011 Flowers
D652,488 S 1/2012 Slothower et al.
D661,374 S 6/2012 Slothower et al.
D661,782 S 6/2012 Slothower et al.
D662,181 S 6/2012 Thun
D713,941 S 9/2014 Hundley et al.
D716,418 S 10/2014 Hundley et al.

Primary Examiner — Robert Delehanty

(74) *Attorney, Agent, or Firm* — Foley & Lardner LLP

(57) **CLAIM**

I claim the ornamental design for a handle, as shown and described.

DESCRIPTION

FIG. 1 is a top, right perspective view of an embodiment of the claimed design;

FIG. 2 is a front elevation view thereof;

FIG. 3 is a rear elevation view thereof;

FIG. 4 is a left elevation view thereof;

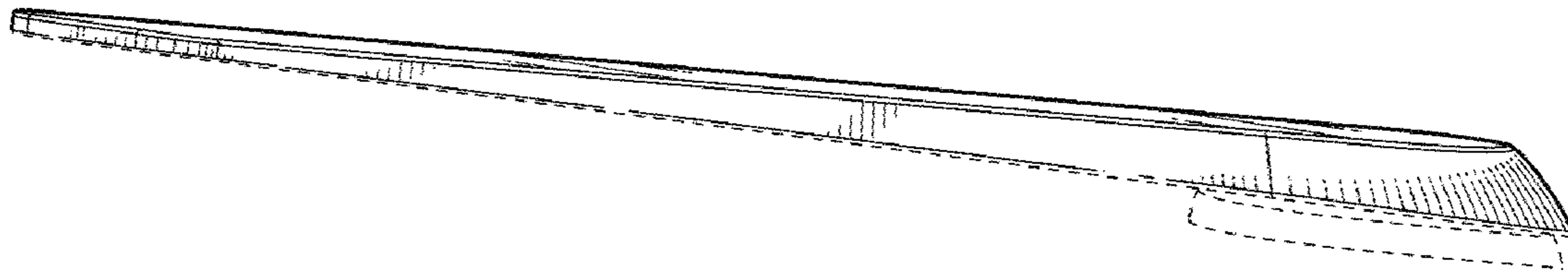
FIG. 5 is a right elevation view thereof;

FIG. 6 is a top, plan view thereof; and,

FIG. 7 is a bottom, plan view thereof.

The ornamental design which is claimed is shown in solid lines in the drawings. The broken lines in the drawings form no part of the claimed design. Broken lines formed by equal length dashes show unclaimed subject matter.

1 Claim, 3 Drawing Sheets



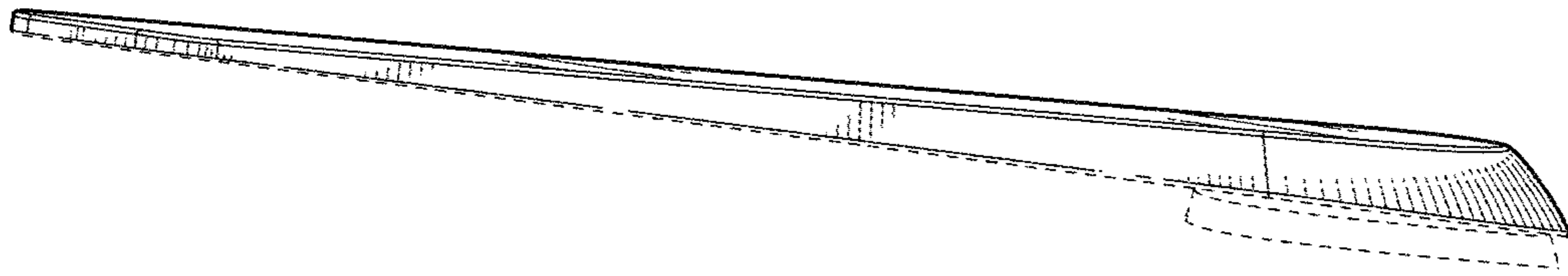


FIG. 1

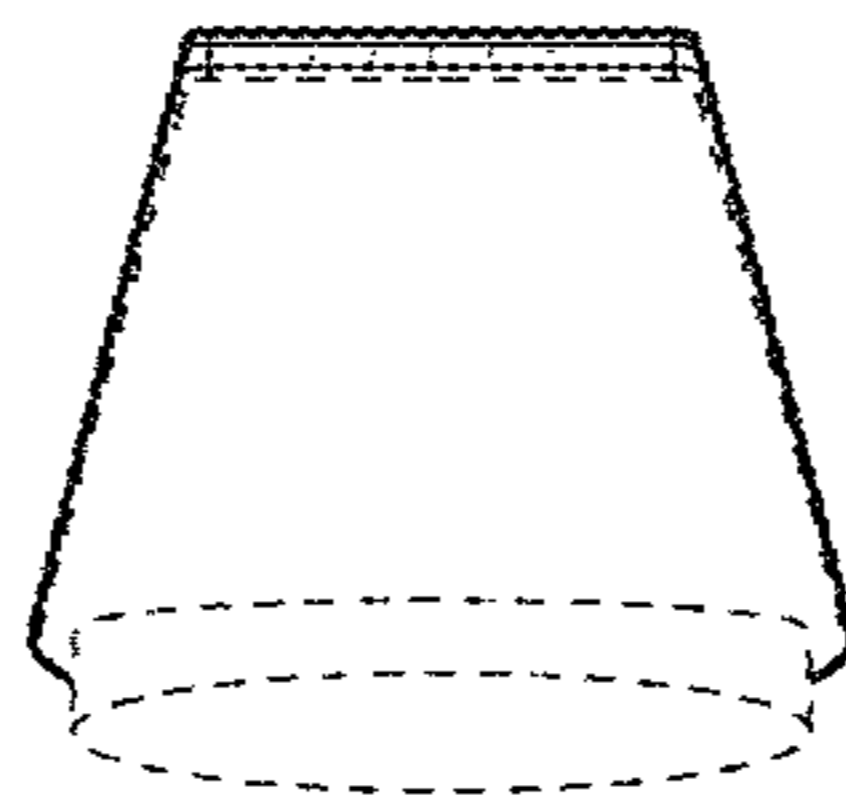


FIG. 2

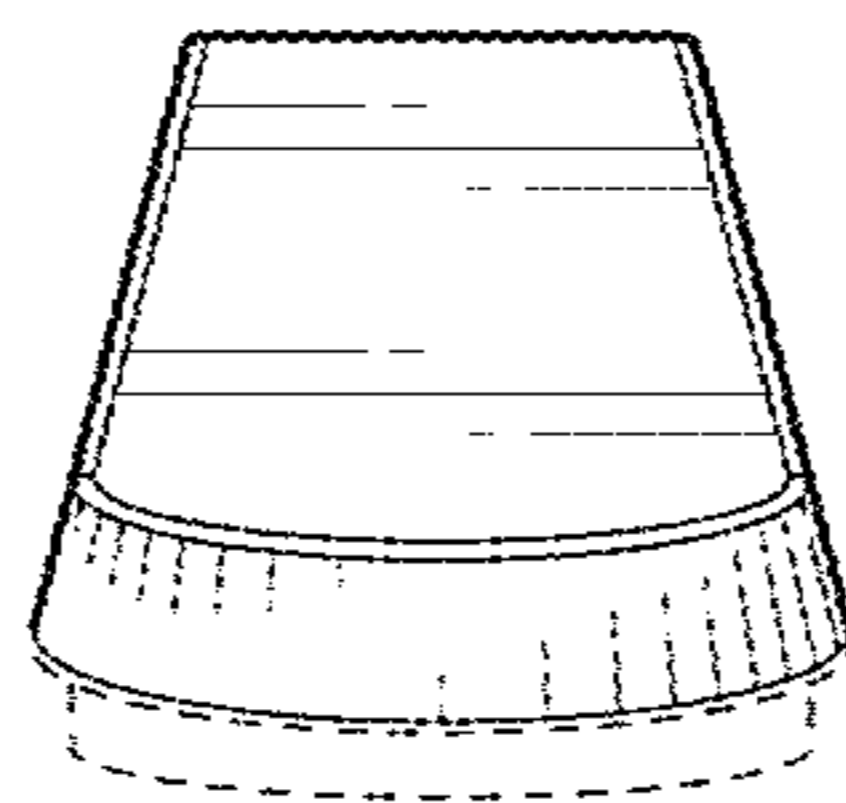


FIG. 3

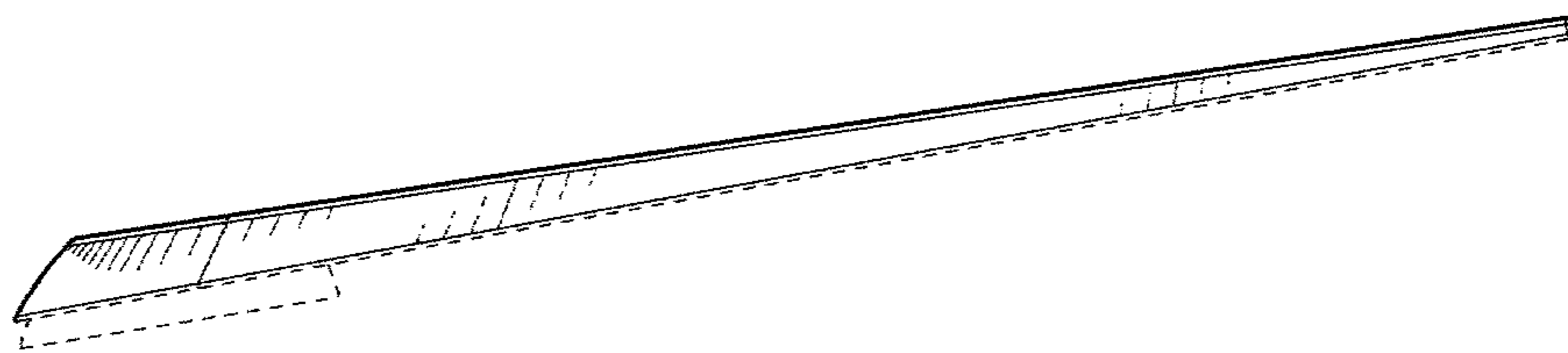


FIG. 4

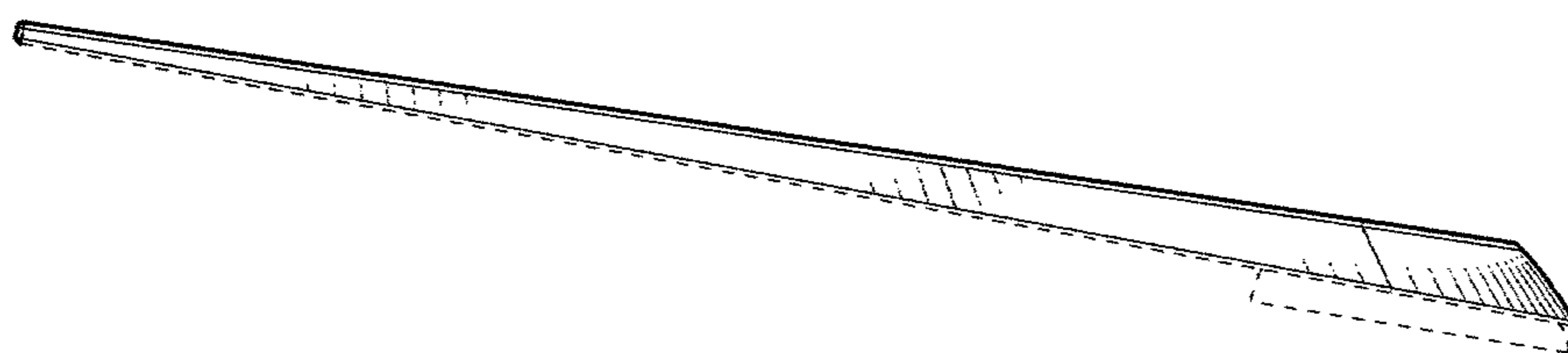


FIG. 5

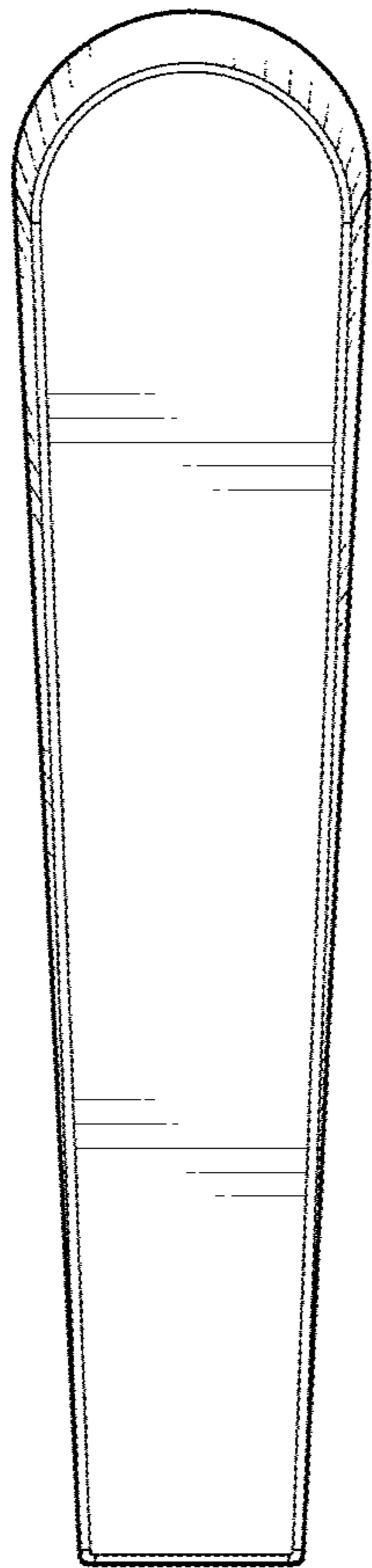


FIG. 6

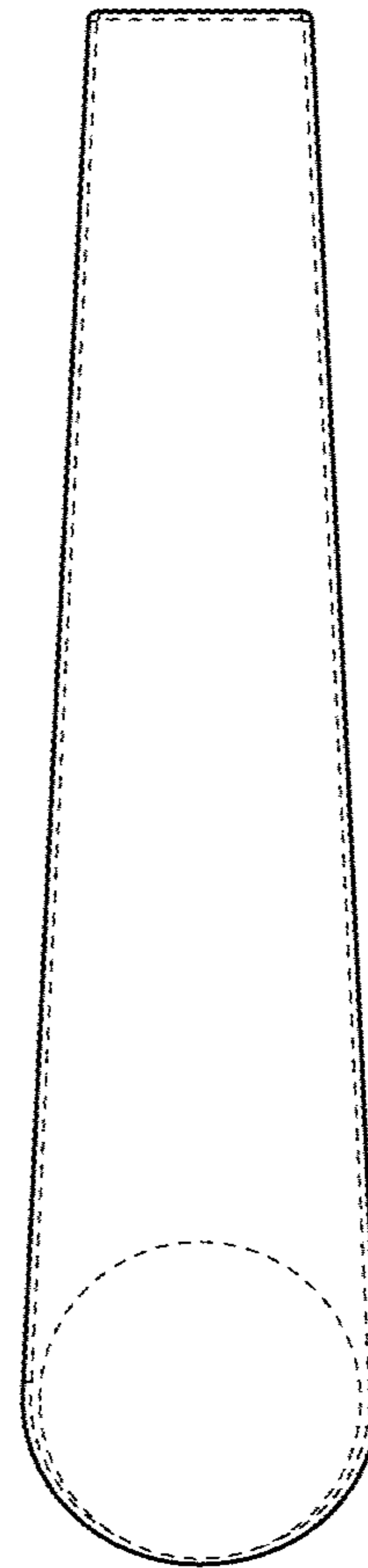


FIG. 7