



US00D777881S

(12) **United States Design Patent**
Chen et al.

(10) **Patent No.:** **US D777,881 S**
(45) **Date of Patent:** **** Jan. 31, 2017**

(54) **HANDHELD SHOWER HEAD FACE**

(71) Applicants: **Yun Chen**, Germantown, MD (US);
Hui Chen, Germantown, MD (US)

(72) Inventors: **Yun Chen**, Germantown, MD (US);
Hui Chen, Germantown, MD (US)

(**) Term: **15 Years**

(21) Appl. No.: **29/544,936**

(22) Filed: **Nov. 8, 2015**

(51) **LOC (10) Cl.** **23-01**

(52) **U.S. Cl.**
USPC **D23/229**

(58) **Field of Classification Search**
USPC D23/213, 223, 226, 229, 230; 4/615;
239/526-7
CPC B05B 1/18; B05B 1/00; B05B 9/01;
E03C 1/06; A47K 3/28
See application file for complete search history.

(56) **References Cited**

U.S. PATENT DOCUMENTS

D518,145 S * 3/2006 Nikles D23/223
D527,072 S * 8/2006 Wu D23/223

D655,383 S * 3/2012 Flowers D23/223
D659,797 S * 5/2012 Farley D23/223
D667,928 S * 9/2012 Cutler D23/223
D694,361 S * 11/2013 Schoenherr D23/223
D714,421 S * 9/2014 Flowers D23/223
D737,931 S * 9/2015 Schoenherr D23/223

* cited by examiner

Primary Examiner — Robin V Webster

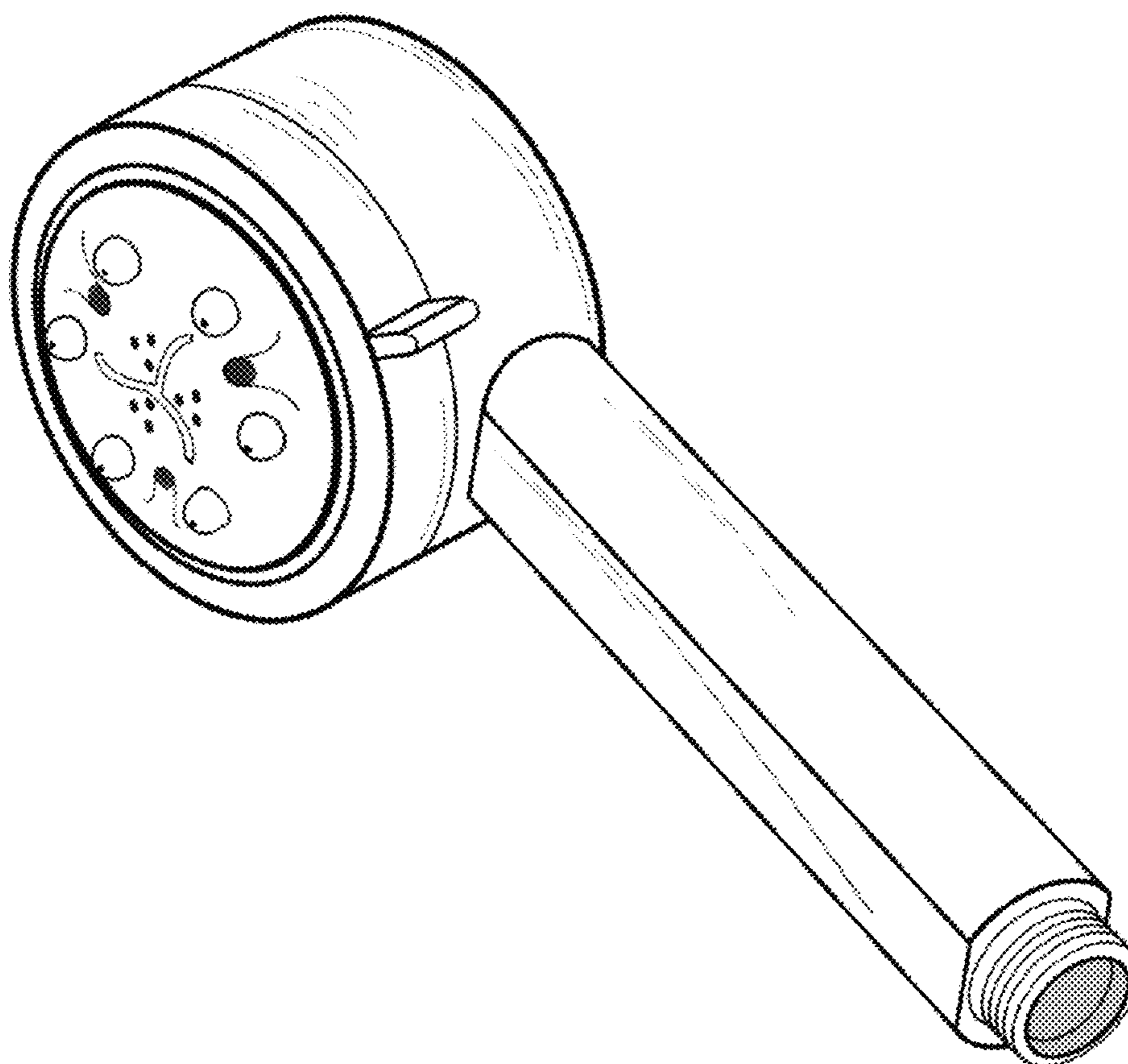
(57) **CLAIM**

The ornamental design for a handheld shower head face, as shown and described.

DESCRIPTION

FIG. 1 is a front perspective view of a handheld shower head face showing our design;
FIG. 2 is a right side elevational view thereof;
FIG. 3 is a left side elevational view thereof;
FIG. 4 is a top plan view thereof;
FIG. 5 is a front elevational view thereof;
FIG. 6 is a bottom plan view thereof; and,
FIG. 7 is a rear elevational view thereof.

1 Claim, 4 Drawing Sheets



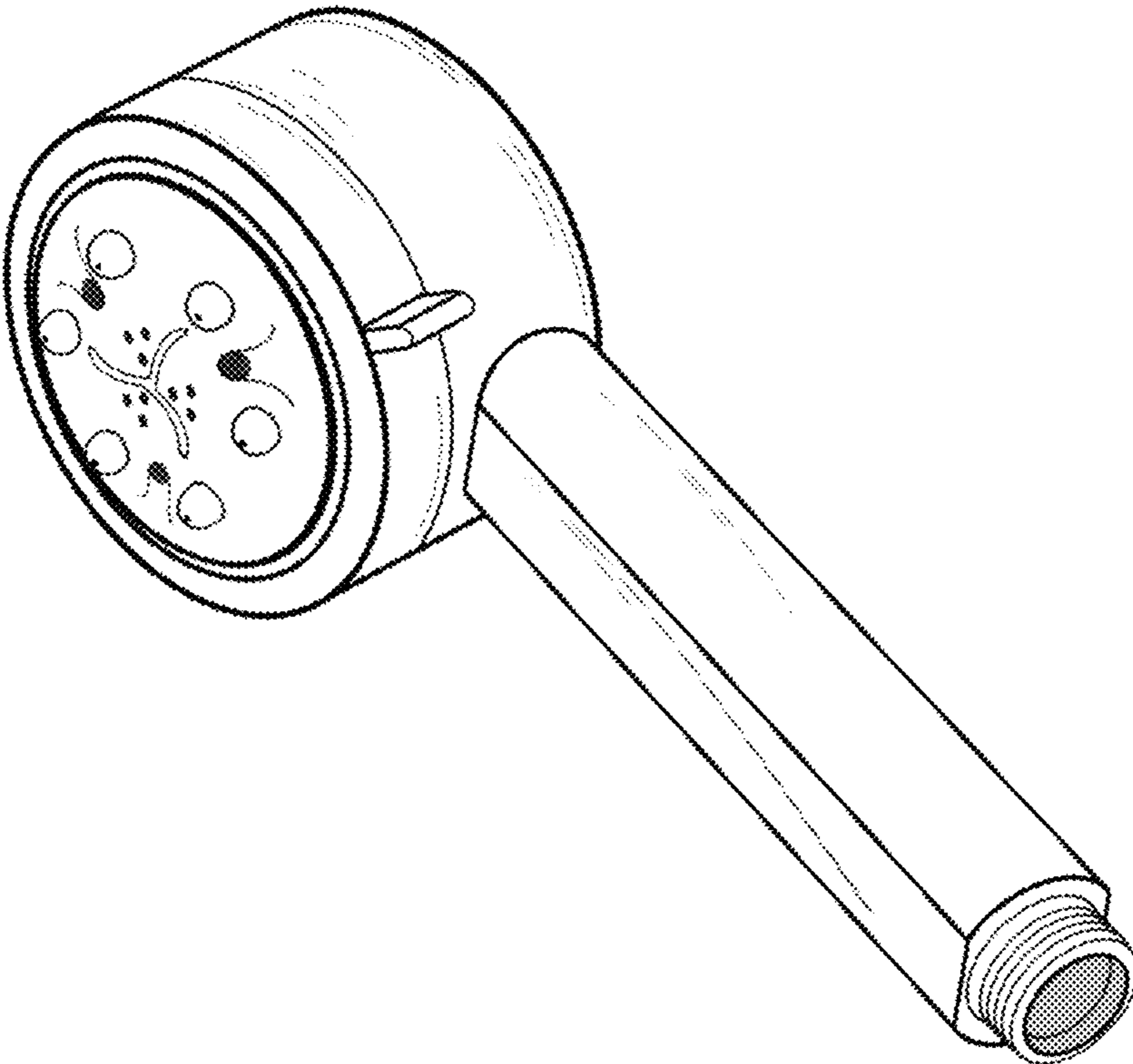


FIG.1

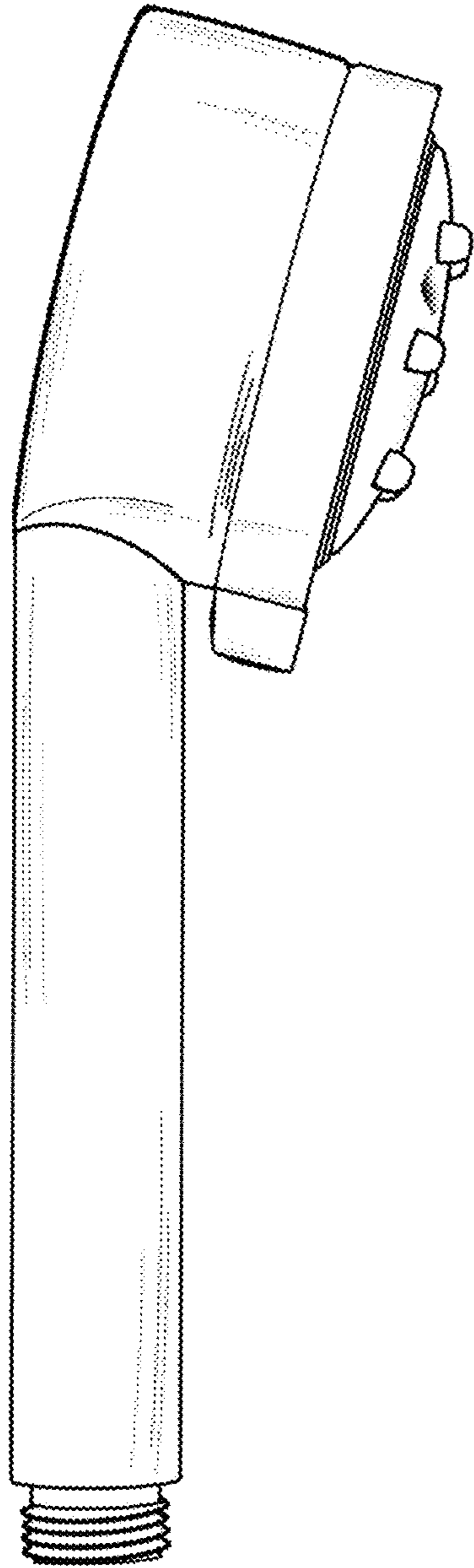


FIG. 2

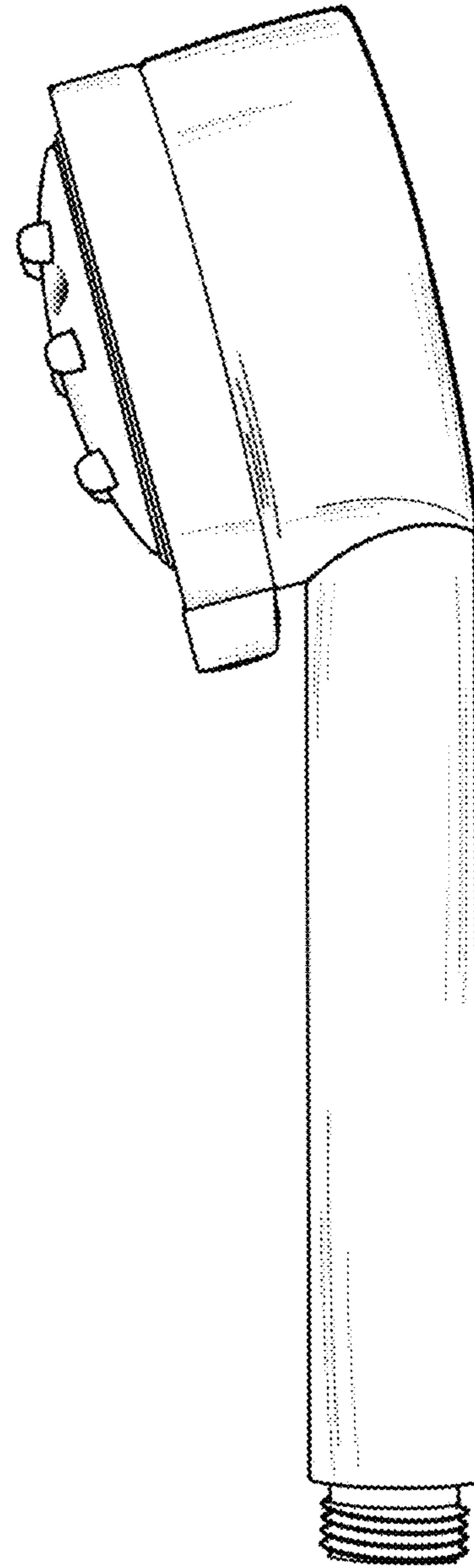


FIG. 3

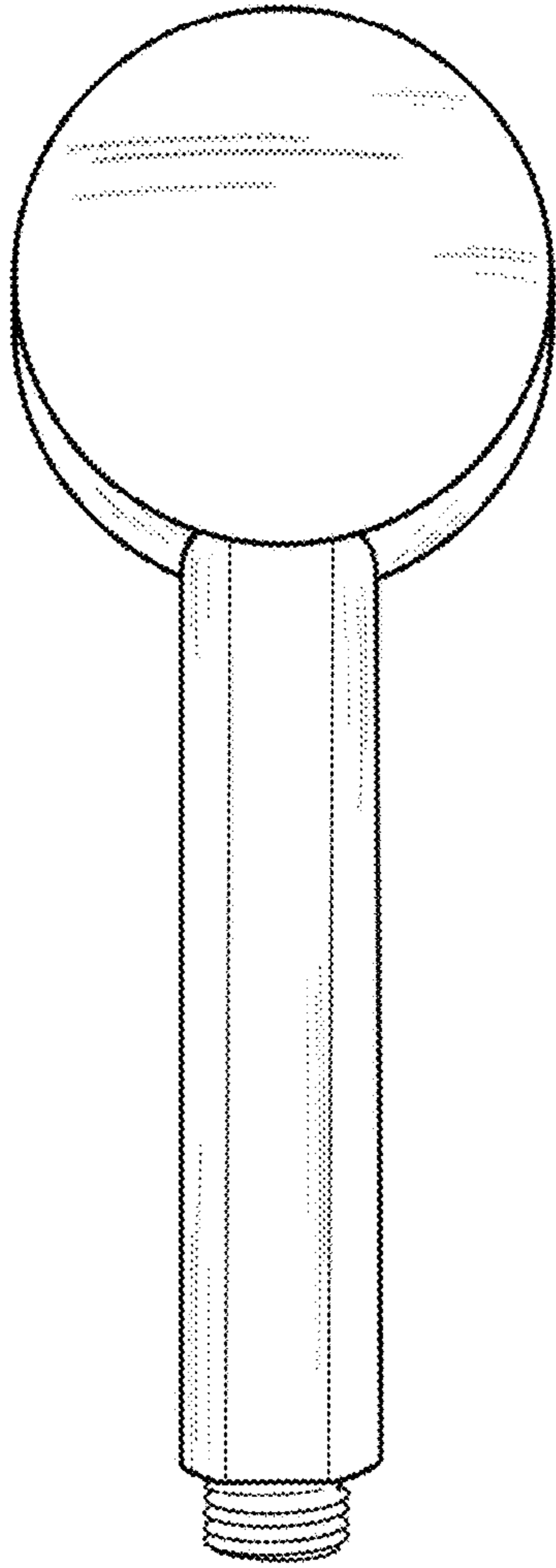


FIG. 4

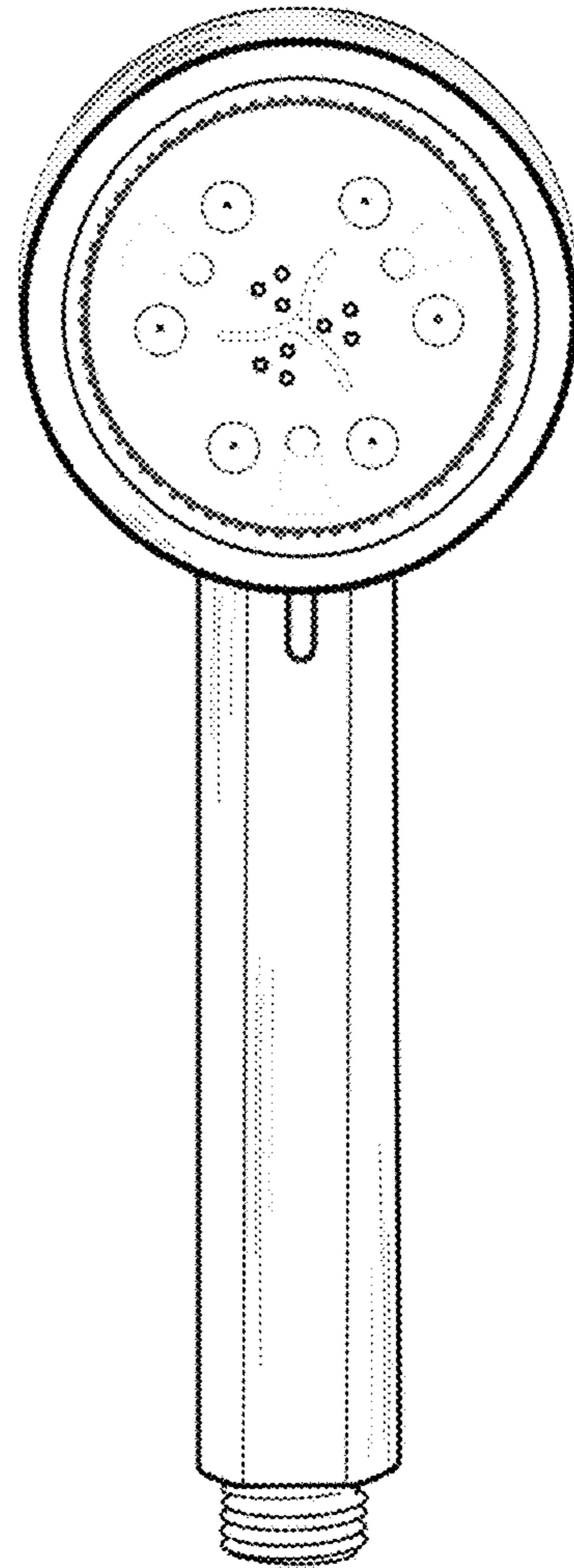


FIG. 5

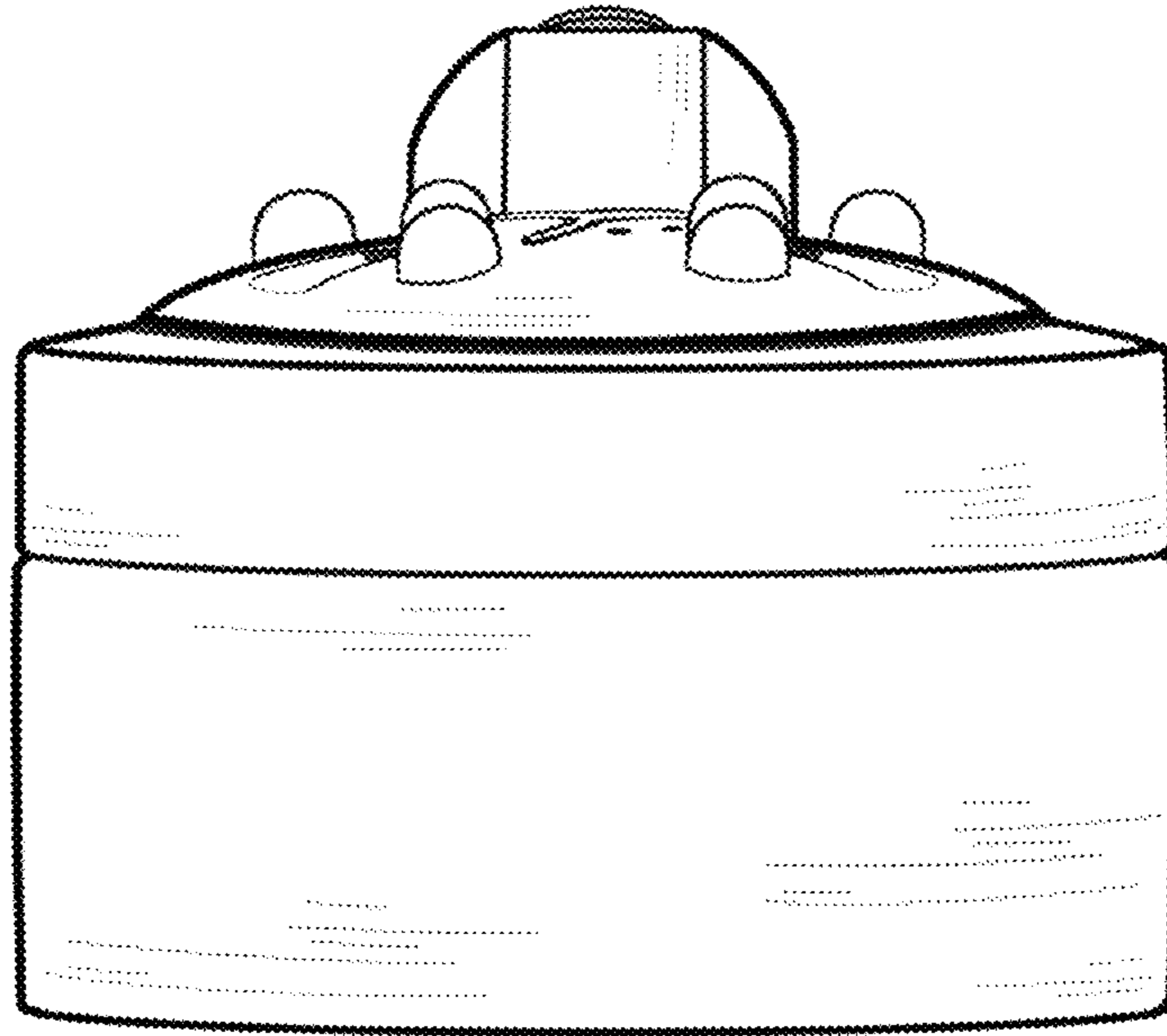


FIG. 6

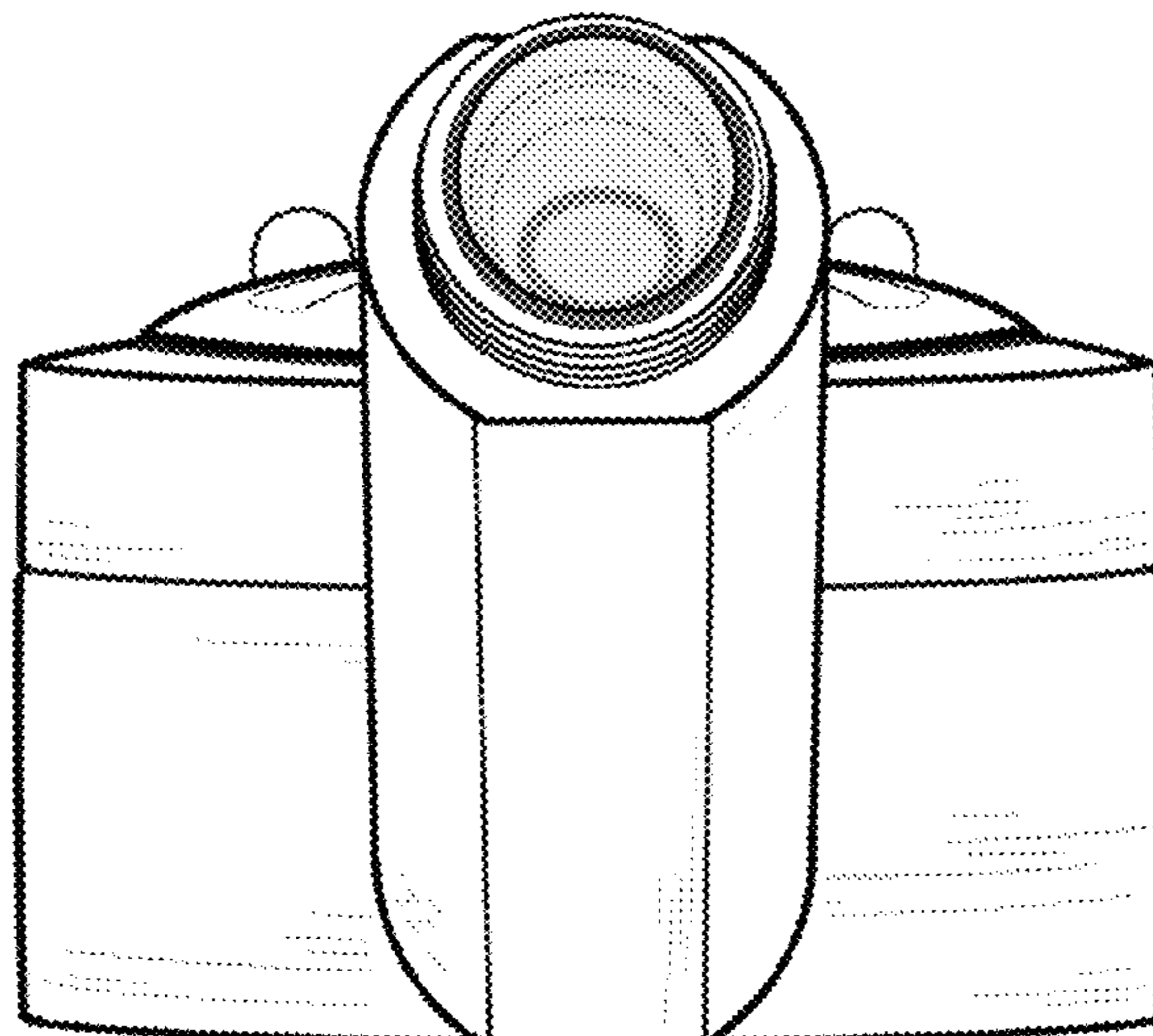


FIG. 7