



US00D777878S

(12) **United States Design Patent** (10) **Patent No.:** **US D777,878 S**
Morris et al. (45) **Date of Patent:** **** Jan. 31, 2017**

(54) **FILTER CAP**

7,410,575 B1 8/2008 Crawford et al.
D591,414 S * 4/2009 Farnaby D23/209
7,704,397 B2 4/2010 Meddock et al.
(Continued)

(71) Applicant: **Caterpillar Inc.**, Peoria, IL (US)

(72) Inventors: **Bryant Morris**, Peoria, IL (US);
Jeffrey Ries, Metamora, IL (US); **Brian Sutton**, Edwards, IL (US)

FOREIGN PATENT DOCUMENTS

DE 10 2006 051 406 A1 4/2008
DE 10 2007 048 55o A1 4/2008
(Continued)

(73) Assignee: **Caterpillar Inc.**, Peoria, IL (US)

(**) Term: **15 Years**

OTHER PUBLICATIONS

(21) Appl. No.: **29/540,250**

U.S. Appl. No. 14/605,457, filed Jan. 26, 2015 (unpublished).
(Continued)

(22) Filed: **Sep. 22, 2015**

(51) **LOC (10) Cl.** **23-01**

Primary Examiner — Robin V Webster

(52) **U.S. Cl.**
USPC **D23/209**

(74) *Attorney, Agent, or Firm* — Saidman DesignLaw Group, LLC

(58) **Field of Classification Search**
USPC D23/213, 207, 209; 210/232, 234, 236,
210/493.2; 285/360, 361
CPC B01D 35/30; B01D 35/153; B01D 35/157
See application file for complete search history.

(57) **CLAIM**

The ornamental design for a filter cap, as shown and described.

DESCRIPTION

(56) **References Cited**

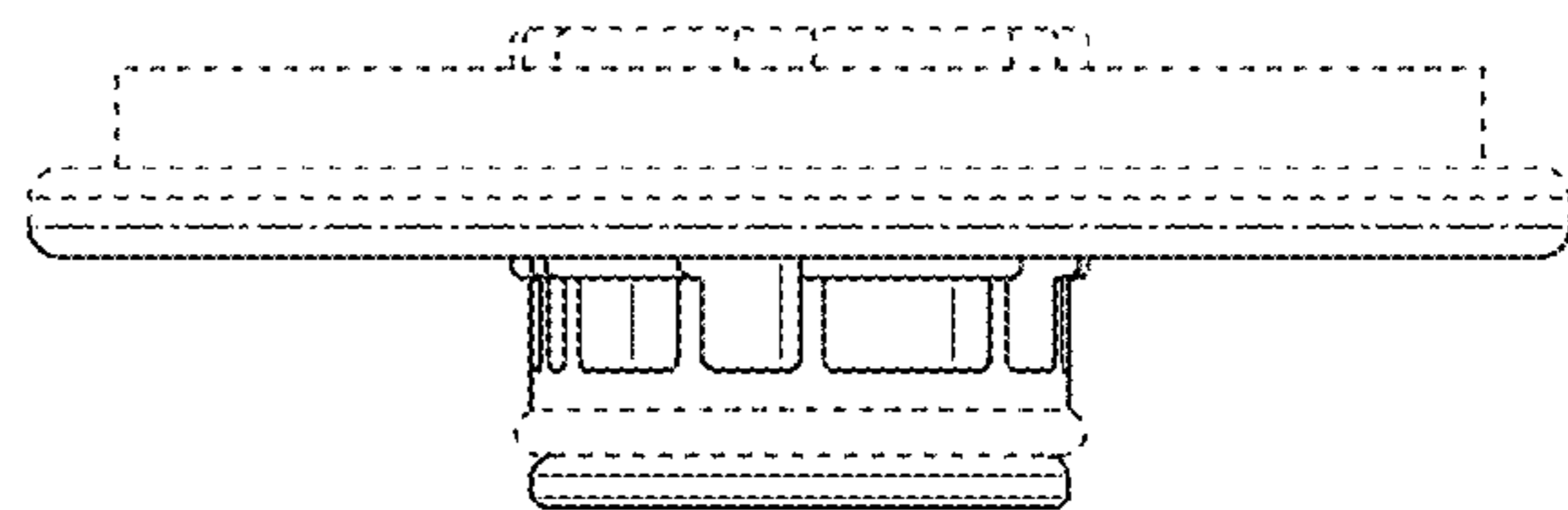
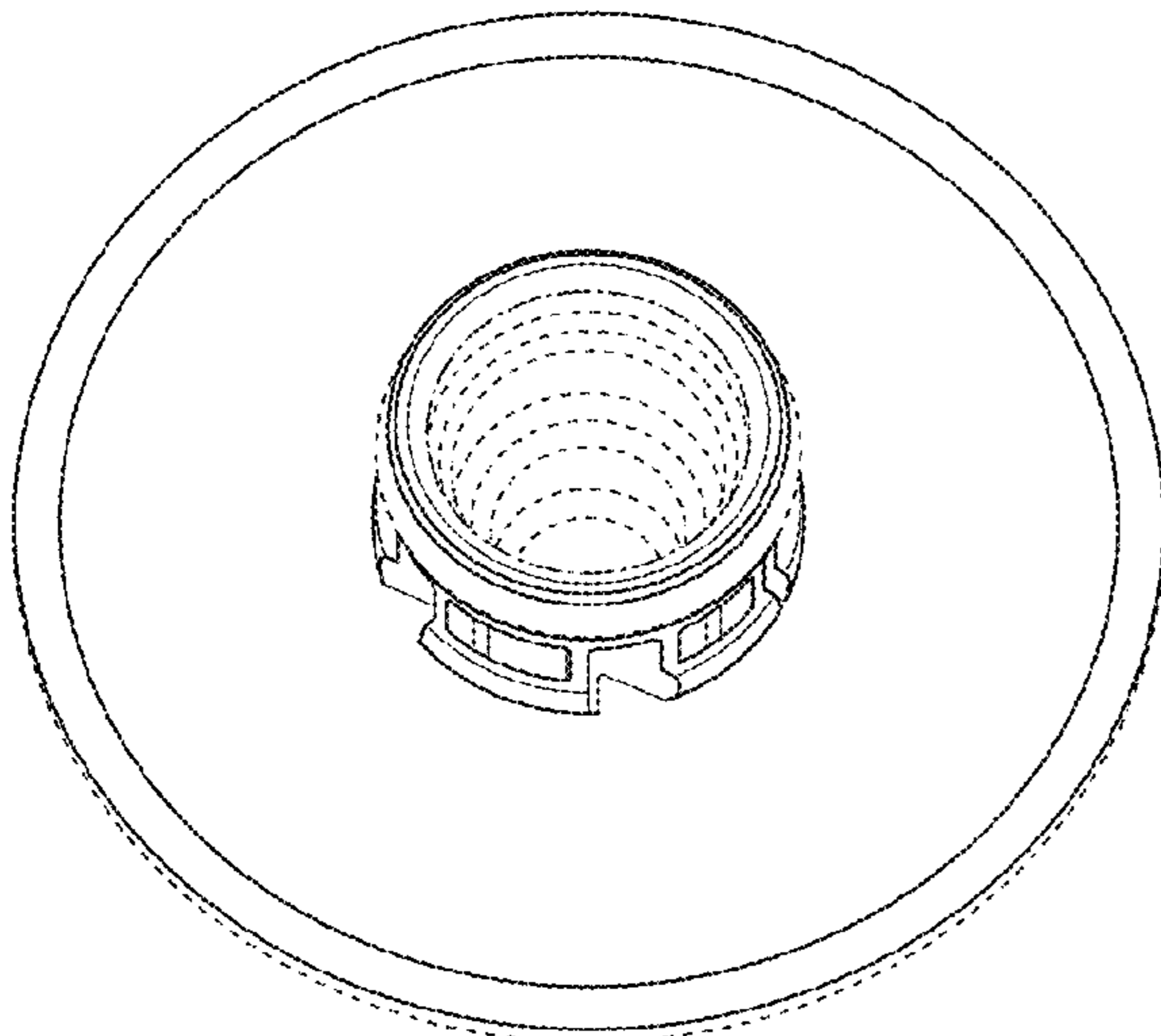
U.S. PATENT DOCUMENTS

3,312,351 A	4/1967	Kasten	
3,390,778 A	7/1968	Uhen	
3,465,883 A	9/1969	Jumper	
4,136,035 A	1/1979	Bogomolov et al.	
D319,295 S	8/1991	Ohaus	
5,084,170 A	1/1992	Janik et al.	
D370,489 S	6/1996	Taggett et al.	
D394,697 S	5/1998	Liang	
5,750,024 A	5/1998	Spearman	
5,770,065 A	6/1998	Popoff et al.	
6,082,230 A	7/2000	Steinweg	
6,340,035 B2	1/2002	Wright	
7,178,179 B2	2/2007	Barnes	
D548,307 S *	8/2007	Reynolds D23/209

FIG. 1 is a front perspective view of a filter cap showing our new design;
FIG. 2 is a front view thereof;
FIG. 3 is a rear view thereof;
FIG. 4 is a right side view thereof;
FIG. 5 is a left side view thereof;
FIG. 6 is a bottom view thereof; and,
FIG. 7 is a top view thereof.

The dashed broken lines represent structure or features which form no part of the claimed design; the broken lines themselves form no part of the claimed design.
The dot-dash broken lines represent boundaries of the claimed design; the dot-dash broken lines themselves form no part of the claimed design.

1 Claim, 2 Drawing Sheets



(56)

References Cited

U.S. PATENT DOCUMENTS

D621,009 S 8/2010 Mjelde et al.
 7,938,963 B2 5/2011 Klein et al.
 8,167,966 B2* 5/2012 Amirkhanian B01D 46/008
 210/470
 8,272,516 B2 9/2012 Salvador et al.
 D673,244 S 12/2012 Magargal et al.
 8,419,938 B2 4/2013 Ries et al.
 8,535,520 B2 9/2013 Reyinger et al.
 D717,395 S * 11/2014 Neto D23/209
 D720,838 S 1/2015 Yamagishi et al.
 D729,344 S * 5/2015 Colussi D23/209
 D730,731 S 6/2015 Bewley, Jr. et al.
 D732,145 S 6/2015 Yamagishi et al.
 D733,843 S 7/2015 Yamagishi et al.
 D734,861 S 7/2015 Johnson et al.
 D740,953 S 10/2015 Spears et al.
 2003/0178354 A1 9/2003 Wall
 2006/0091064 A1 5/2006 Brown et al.
 2007/0181481 A1 8/2007 Reynolds et al.
 2009/0127198 A1 5/2009 Salvador et al.
 2011/0132828 A1 6/2011 Ries et al.

2012/0080372 A1 4/2012 Ries et al.
 2014/0102967 A1 4/2014 Blunt et al.
 2014/0138303 A1 5/2014 Takeda et al.

FOREIGN PATENT DOCUMENTS

FR 2829703 3/2004
 GB 950333 2/1964
 GB 1088029 10/1967
 WO 2009/095339 A1 8/2009
 WO 2014/059184 A1 4/2014
 WO 2014/082762 A1 6/2014

OTHER PUBLICATIONS

U.S. Appl. No. 14/605,533, filed Jan. 26, 2015 (unpublished).
 U.S. Appl. No. 29/515,706, filed Jan. 26, 2015 (unpublished).
 U.S. Appl. No. 29/540,256, filed Sep. 22, 2015 (unpublished).
 U.S. Appl. No. 14/861,060, filed Sep. 22, 2015 (unpublished).
 U.S. Appl. No. 14/861,012, filed Sep. 22, 2015 (unpublished).
 U.S. Appl. No. 29/553,264, filed Jan. 29, 2016 (unpublished).

* cited by examiner

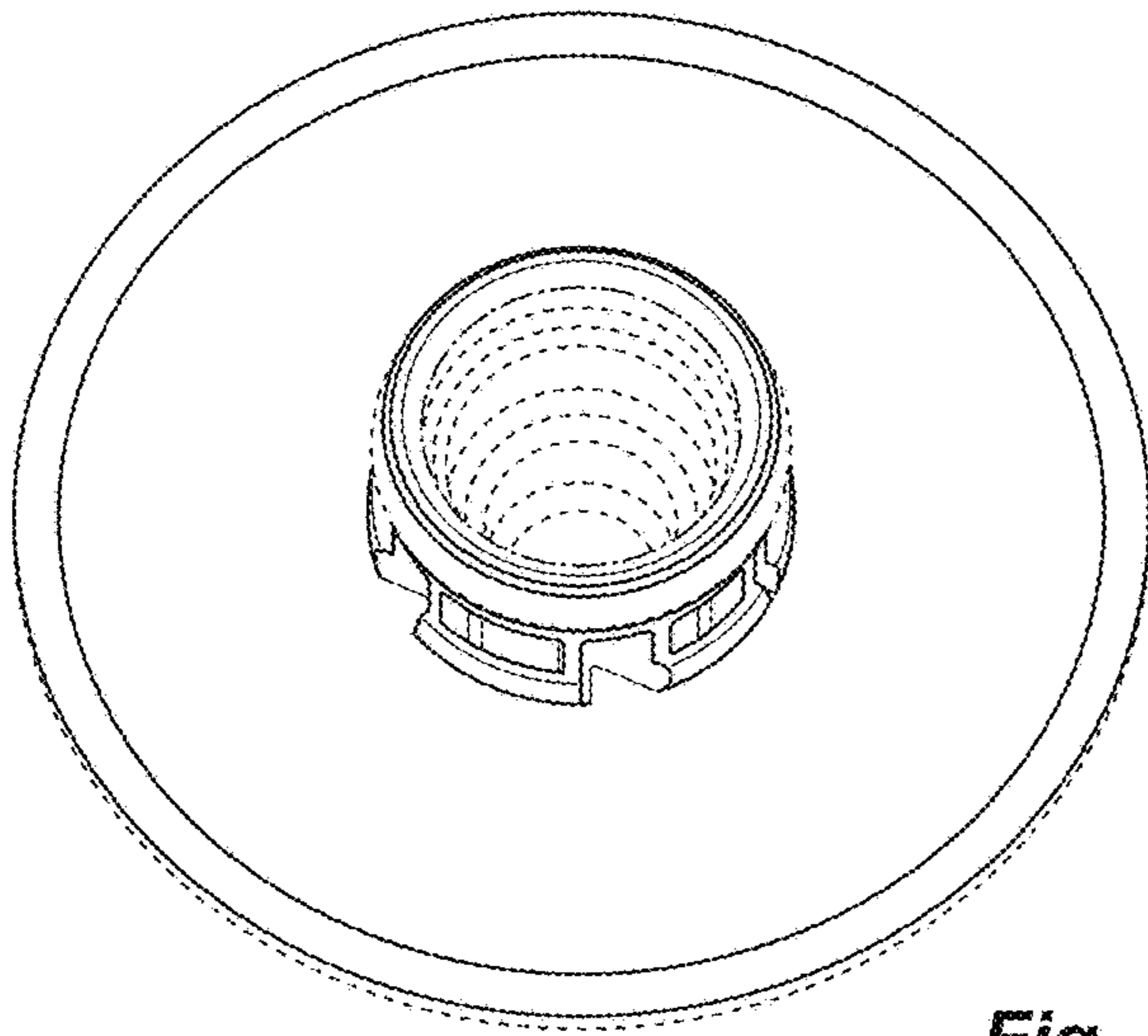


Fig. 1

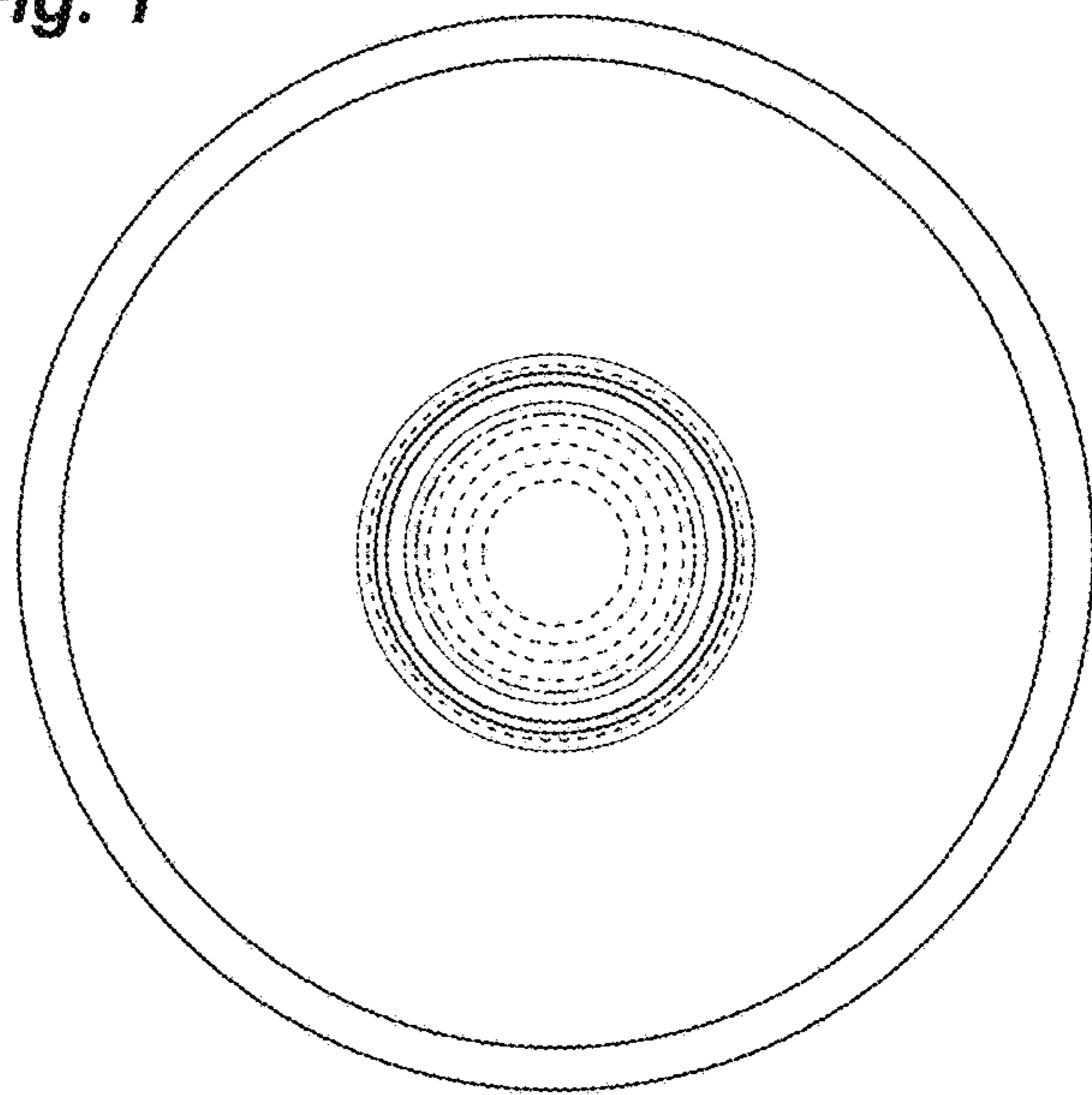


Fig. 2

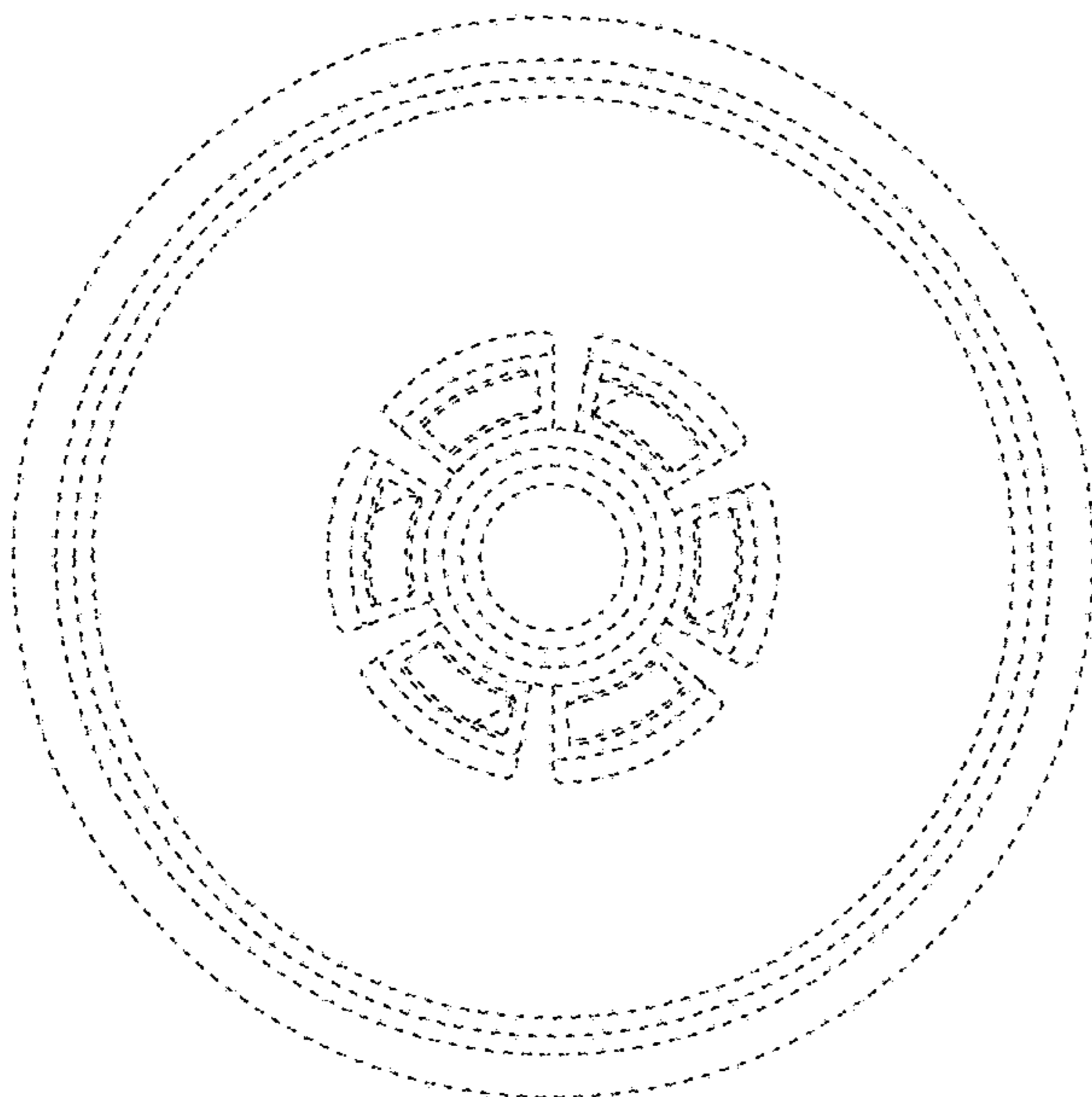


Fig. 3

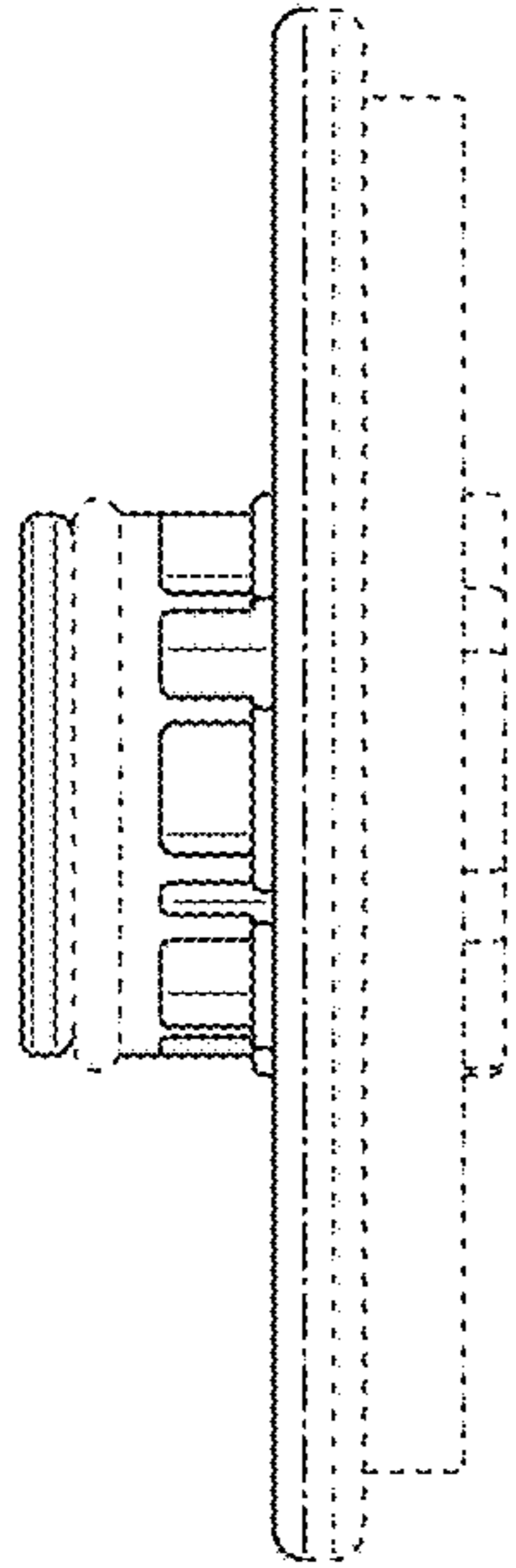


Fig. 4

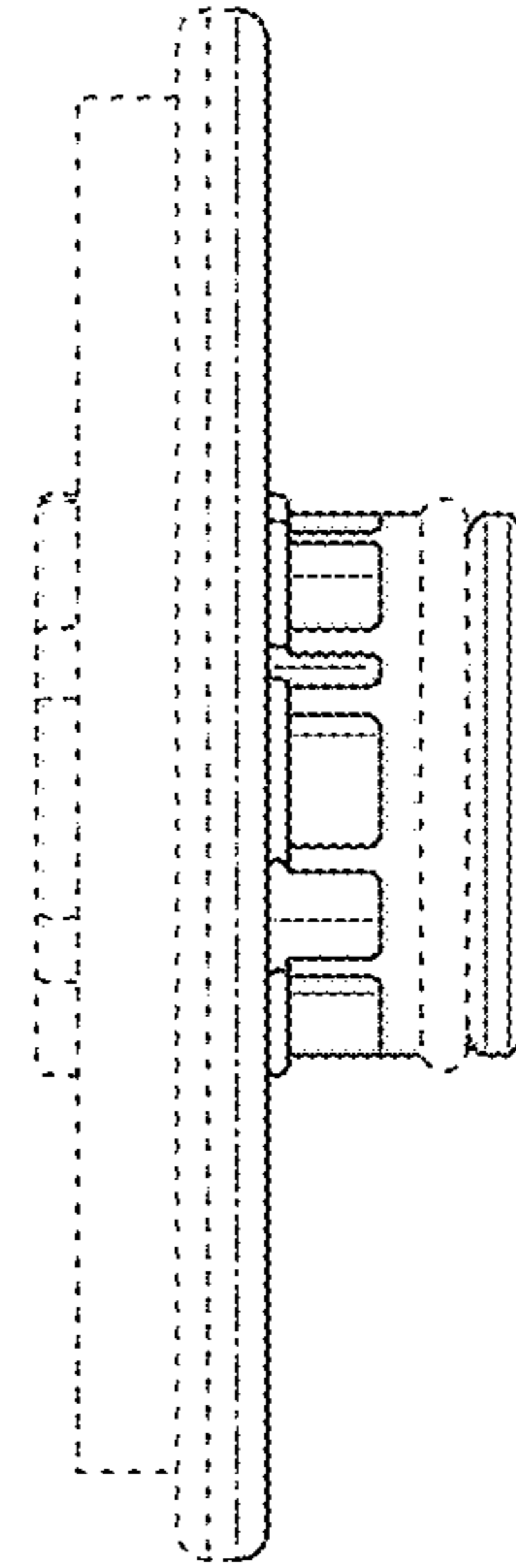


Fig. 5

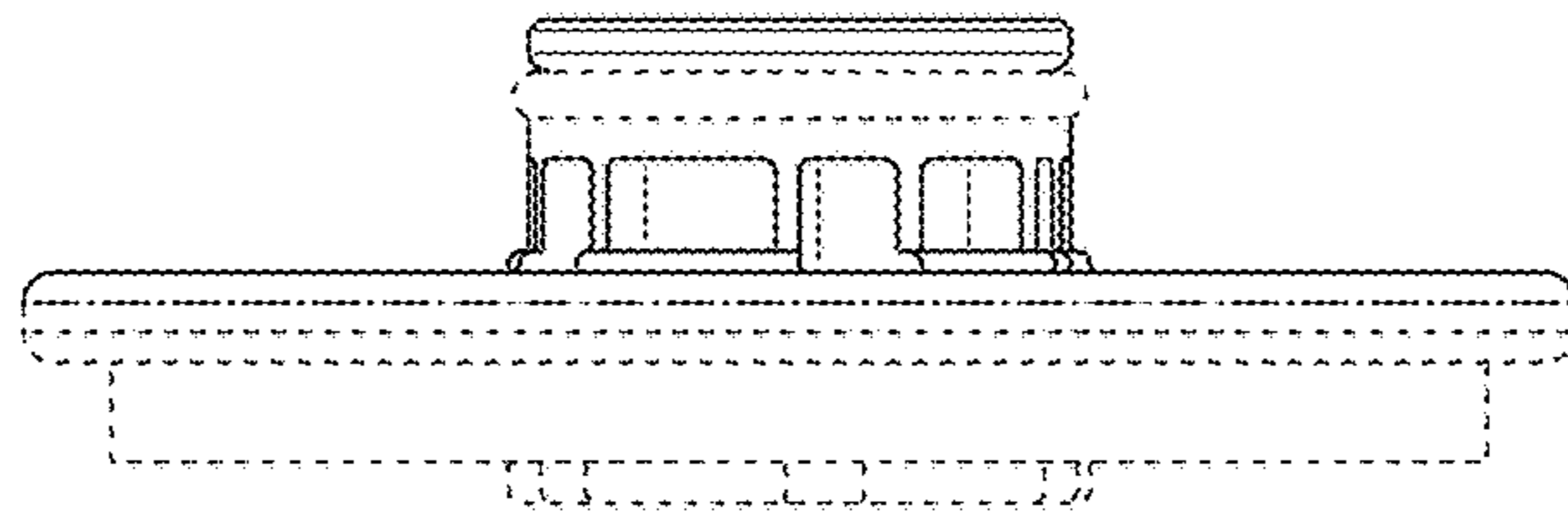


Fig. 6

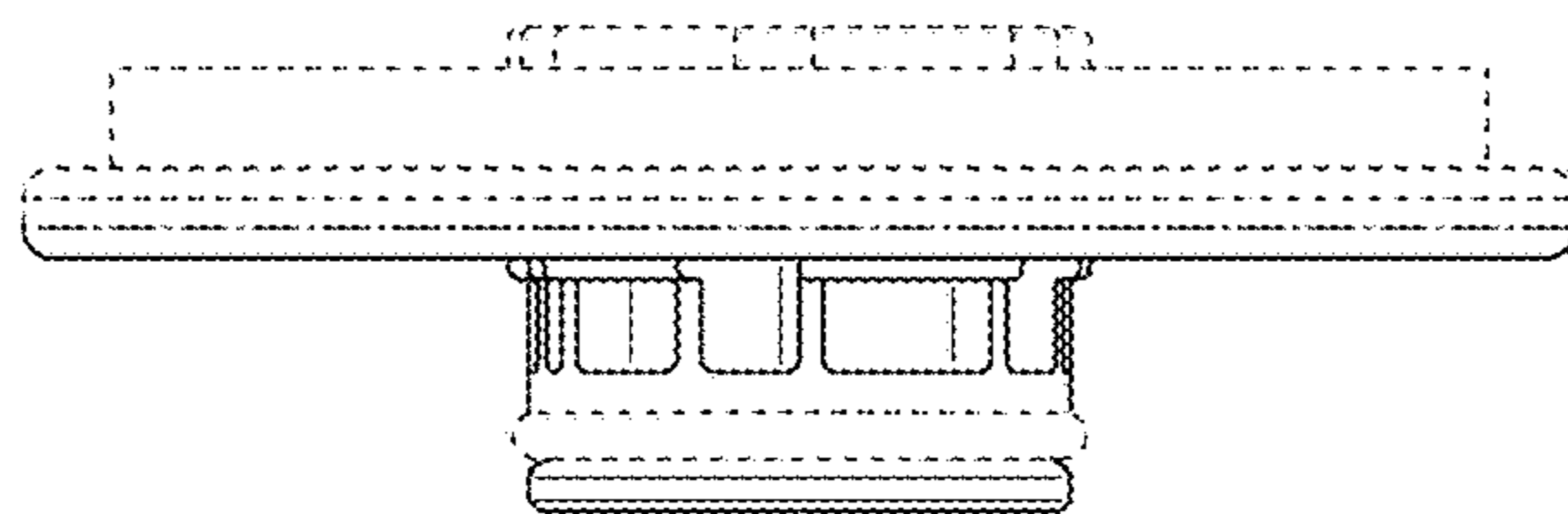


Fig. 7