



US00D777877S

(12) **United States Design Patent**  
**Higgins et al.**

(10) **Patent No.:** **US D777,877 S**

(45) **Date of Patent:** **\*\* Jan. 31, 2017**

(54) **IBC TANK**

(71) Applicant: **Custom Metalcraft, Inc.**, Springfield, MO (US)

(72) Inventors: **Scott Higgins**, Springfield, MO (US);  
**Dwayne Long**, Springfield, MO (US)

(73) Assignee: **Custom Metalcraft, Inc.**, Springfield, MO (US)

(\*\*) Term: **14 Years**

(21) Appl. No.: **29/524,579**

(22) Filed: **Apr. 21, 2015**

(51) **LOC (10) Cl.** ..... **23-01**

(52) **U.S. Cl.**

USPC ..... **D23/202**; D23/206

(58) **Field of Classification Search**

USPC ..... D23/202, 206; D8/371, 372, 380, 381;  
294/82.1, 90

CPC ..... B66C 1/34

See application file for complete search history.

(56) **References Cited**

U.S. PATENT DOCUMENTS

- 2,382,718 A \* 8/1945 Hickenlooper ..... B66C 1/62  
294/82.1
- 2,886,370 A \* 5/1959 Liebert ..... B28B 23/005  
294/82.1
- 3,614,150 A \* 10/1971 Pasic ..... B66C 1/34  
294/81.56
- D320,055 S \* 9/1991 Parker ..... D23/202
- D337,809 S \* 7/1993 Dietzen ..... D23/202
- 5,615,799 A \* 4/1997 Palazzo ..... B65D 90/00  
220/1.5
- D434,467 S \* 11/2000 Joll ..... D12/42
- D514,132 S \* 1/2006 Chosei ..... D15/28
- D615,853 S \* 5/2010 Sullivan ..... D8/380

- 8,074,828 B2 \* 12/2011 Hartley ..... B65D 90/0033  
220/751
- D688,350 S \* 8/2013 Oren ..... D23/202
- D737,872 S \* 9/2015 Johansson ..... D15/123

\* cited by examiner

*Primary Examiner* — Robin V Webster

(74) *Attorney, Agent, or Firm* — Hovey Williams LLP

(57) **CLAIM**

The ornamental design for an IBC tank, as shown and described.

**DESCRIPTION**

FIG. 1 is an upper front perspective of an IBC tank embodying my design;

FIG. 2 is a top view of the IBC tank shown in FIG. 1;

FIG. 3 is a front elevation of the IBC tank shown in FIG. 1 and 2, with the opposite rear elevation being a mirror image thereof;

FIG. 4 is a front elevation of the IBC tank similar to FIG. 3, but with portions of corner sling adapters being broken away to depict lifting lugs;

FIG. 5 is a right side elevation of the IBC tank shown in FIGS. 1-4, with the opposite side elevation being a mirror image thereof;

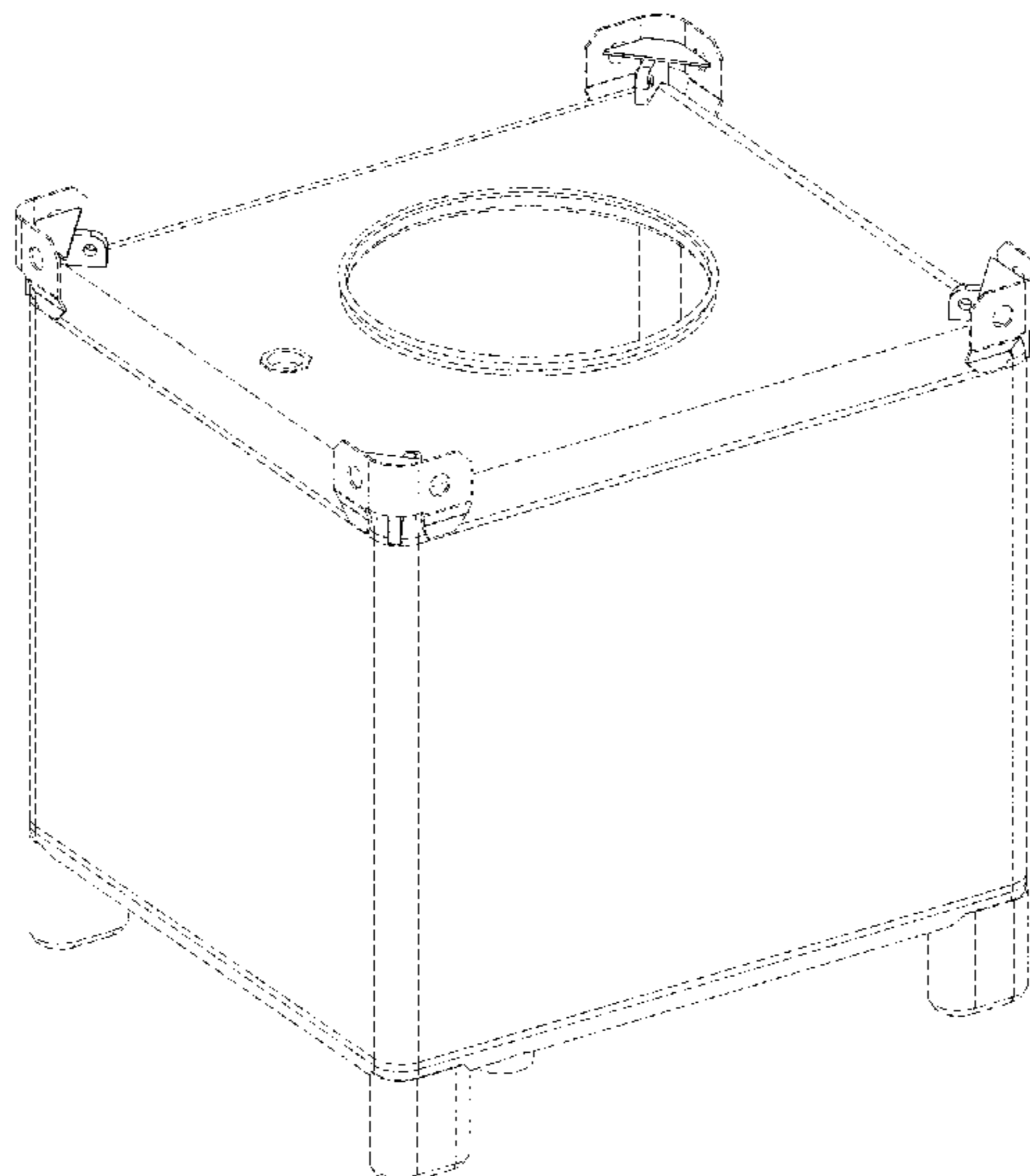
FIG. 6 is a right side elevation of the IBC tank similar to FIG. 5, but with portions of corner sling adapters being broken away to depict the lifting lugs;

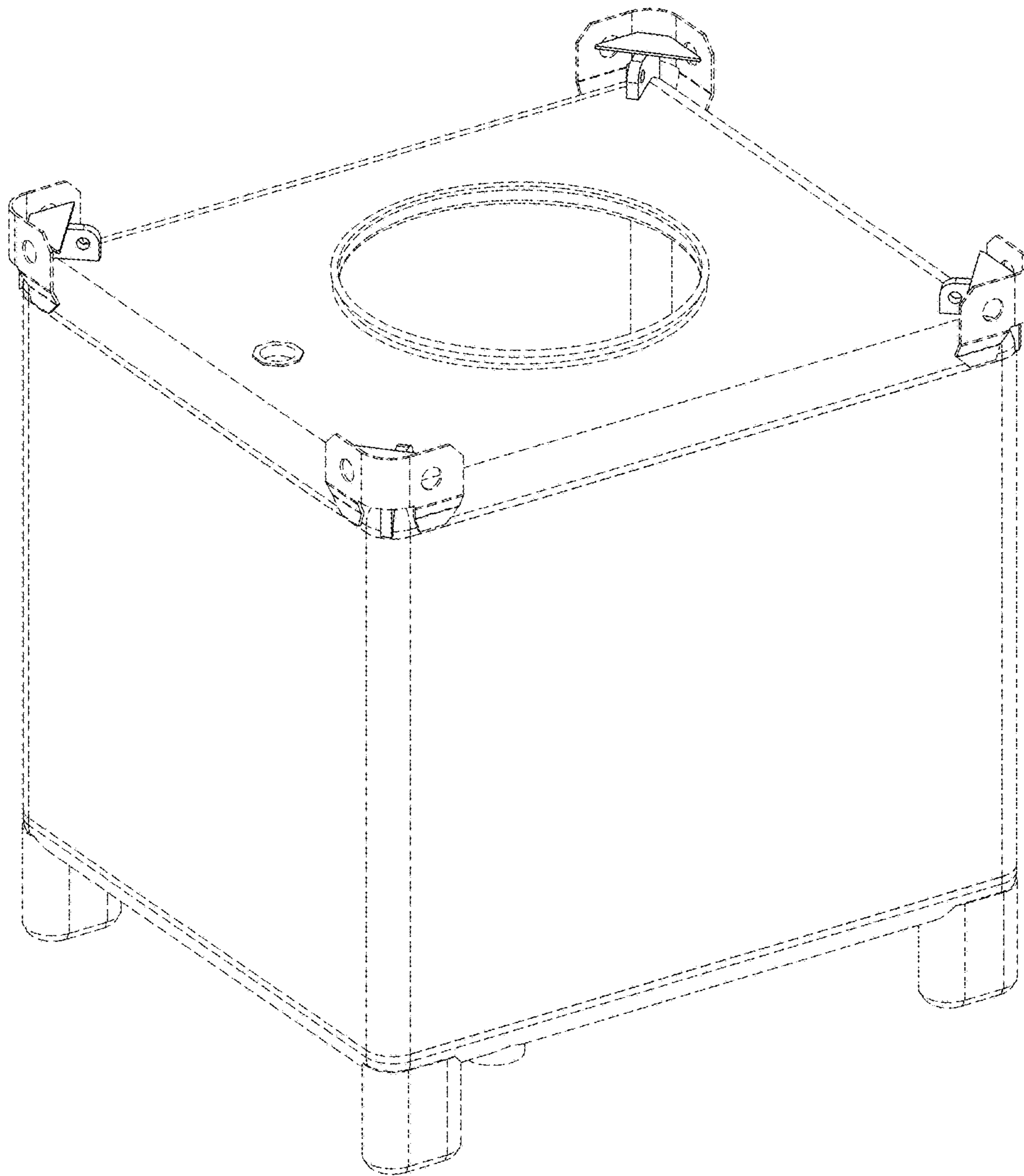
FIG. 7 is a side elevation of the IBC tank taken along line 7-7 in FIG. 2; and,

FIG. 8 is a side elevation of the IBC tank similar to FIG. 7, but with portions of corner sling adapters being broken away to depict the lifting lugs.

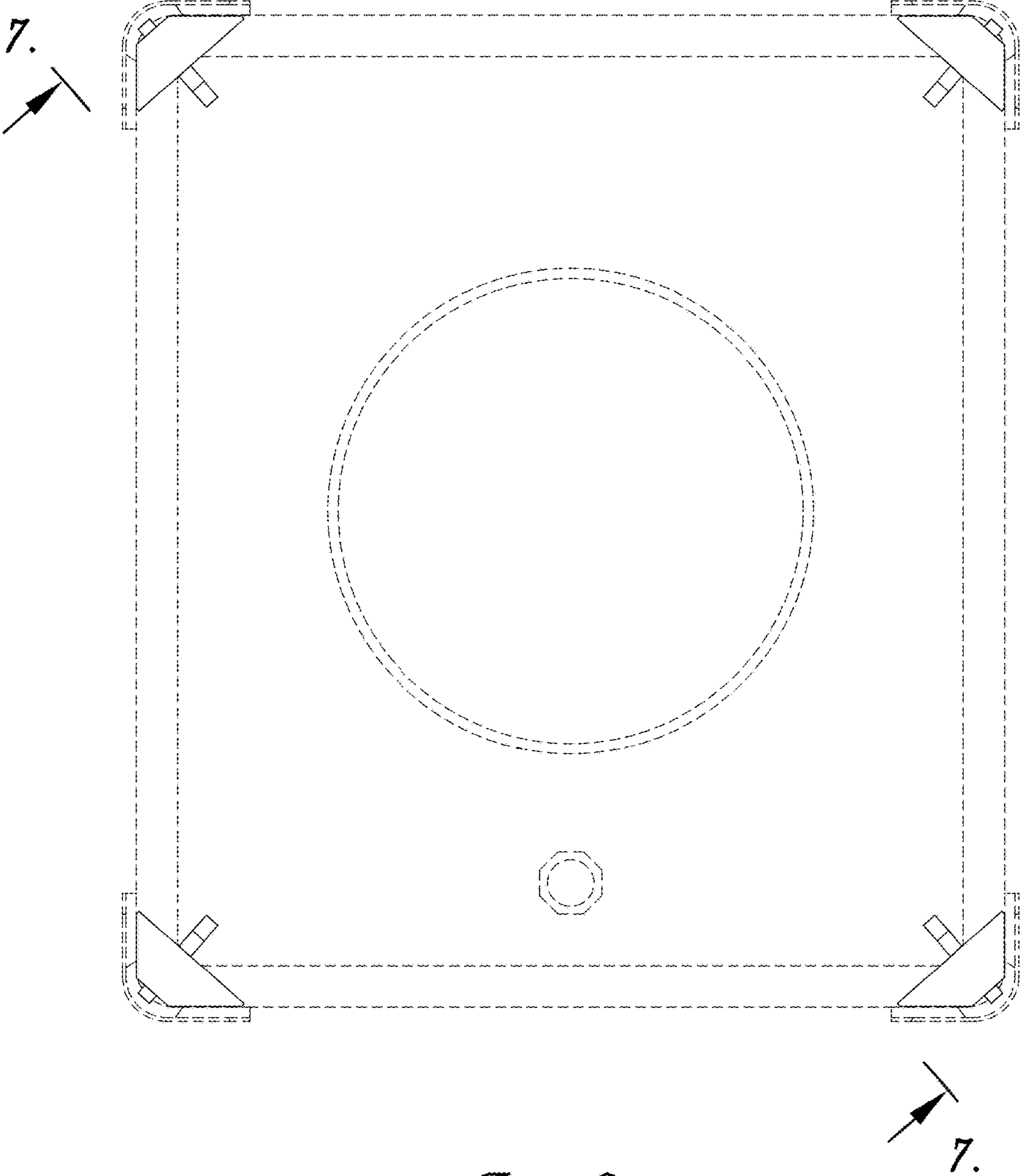
The broken lines showing walls and feet of the tank, the bung in the top wall, the rim forming an opening in the top wall, and the corner sling adapters are directed to environment and/or are for illustrative purposes only. None of the broken lines form part of the claimed design.

**1 Claim, 8 Drawing Sheets**

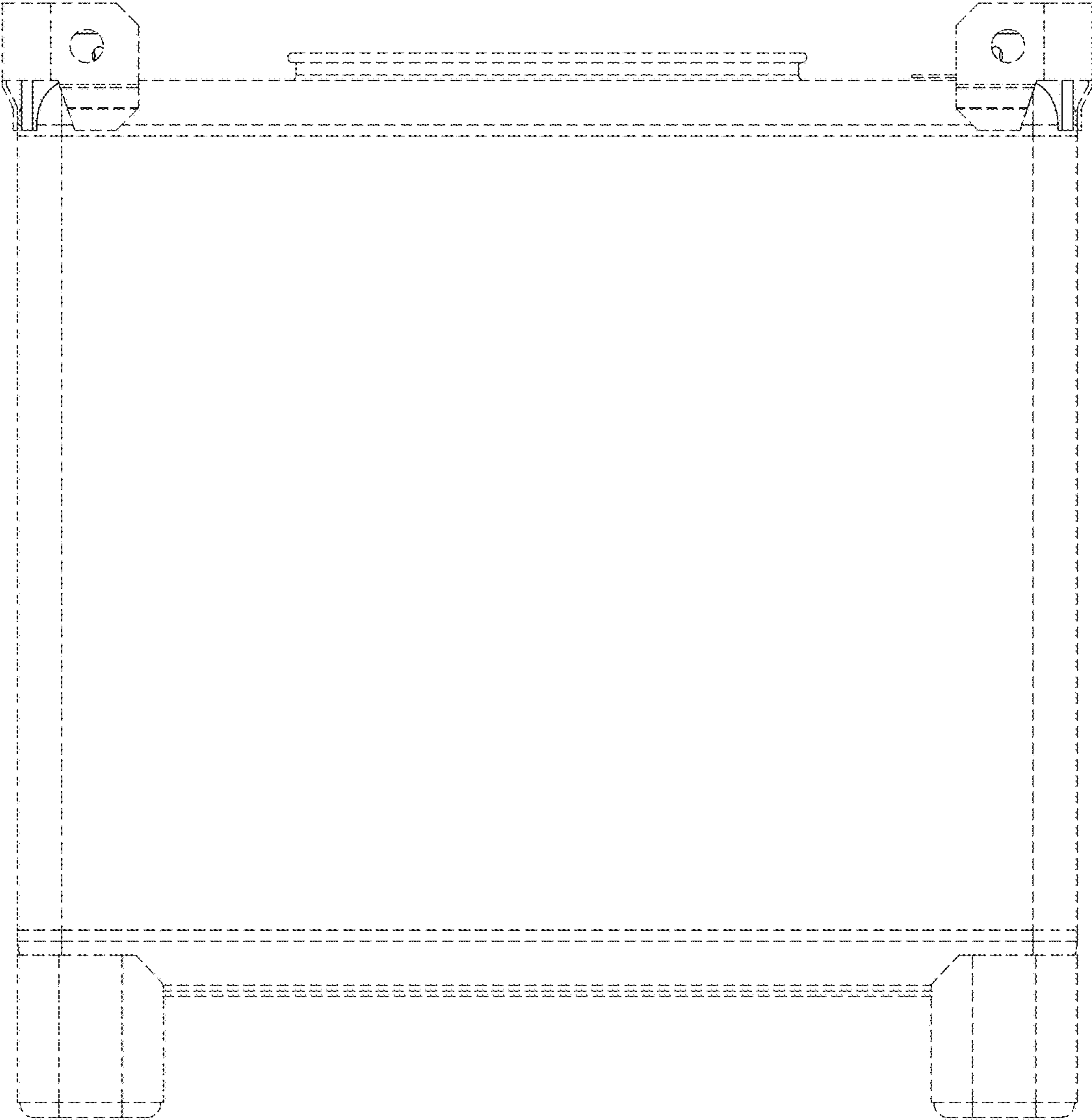




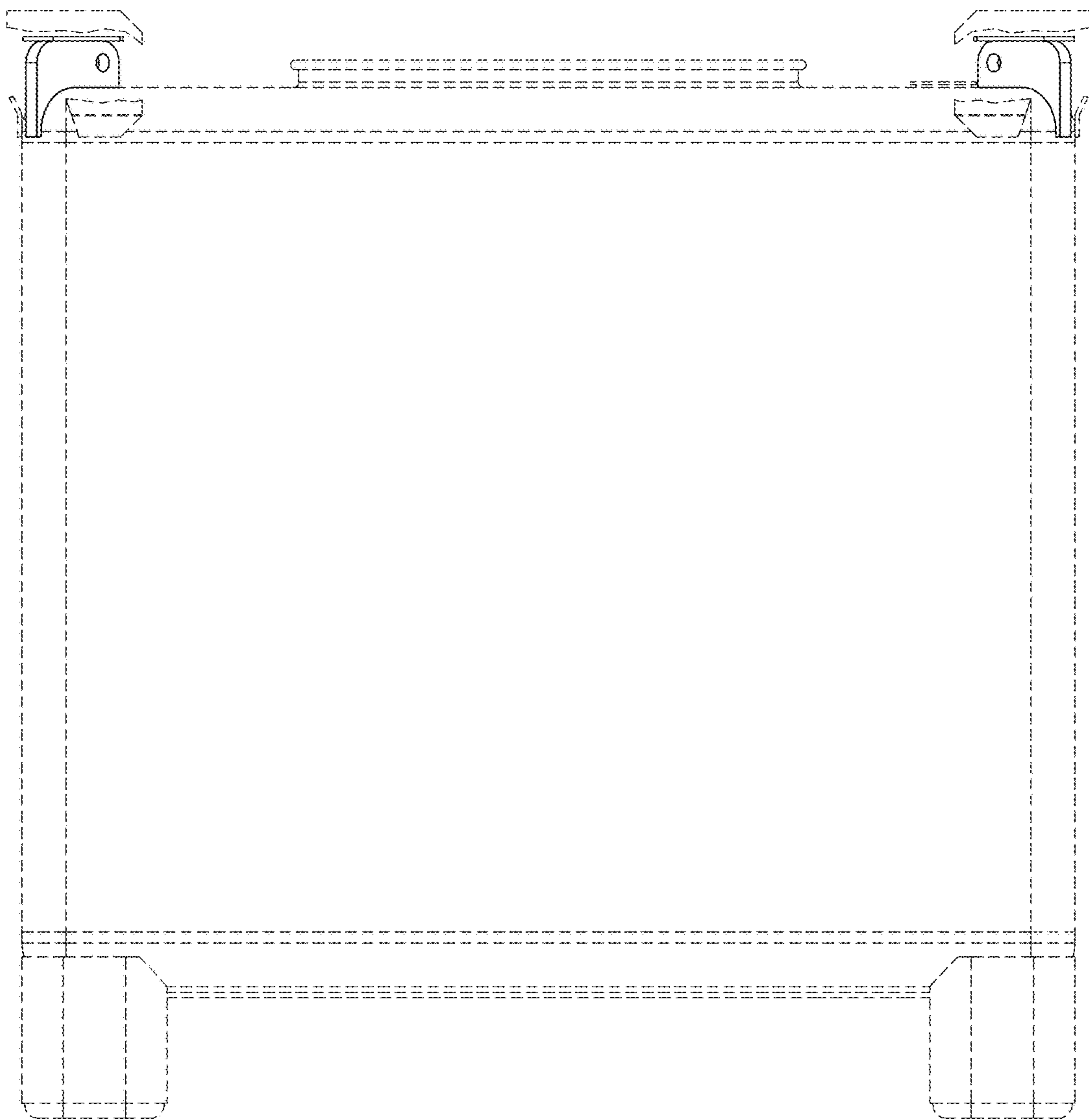
*Fig. 1.*



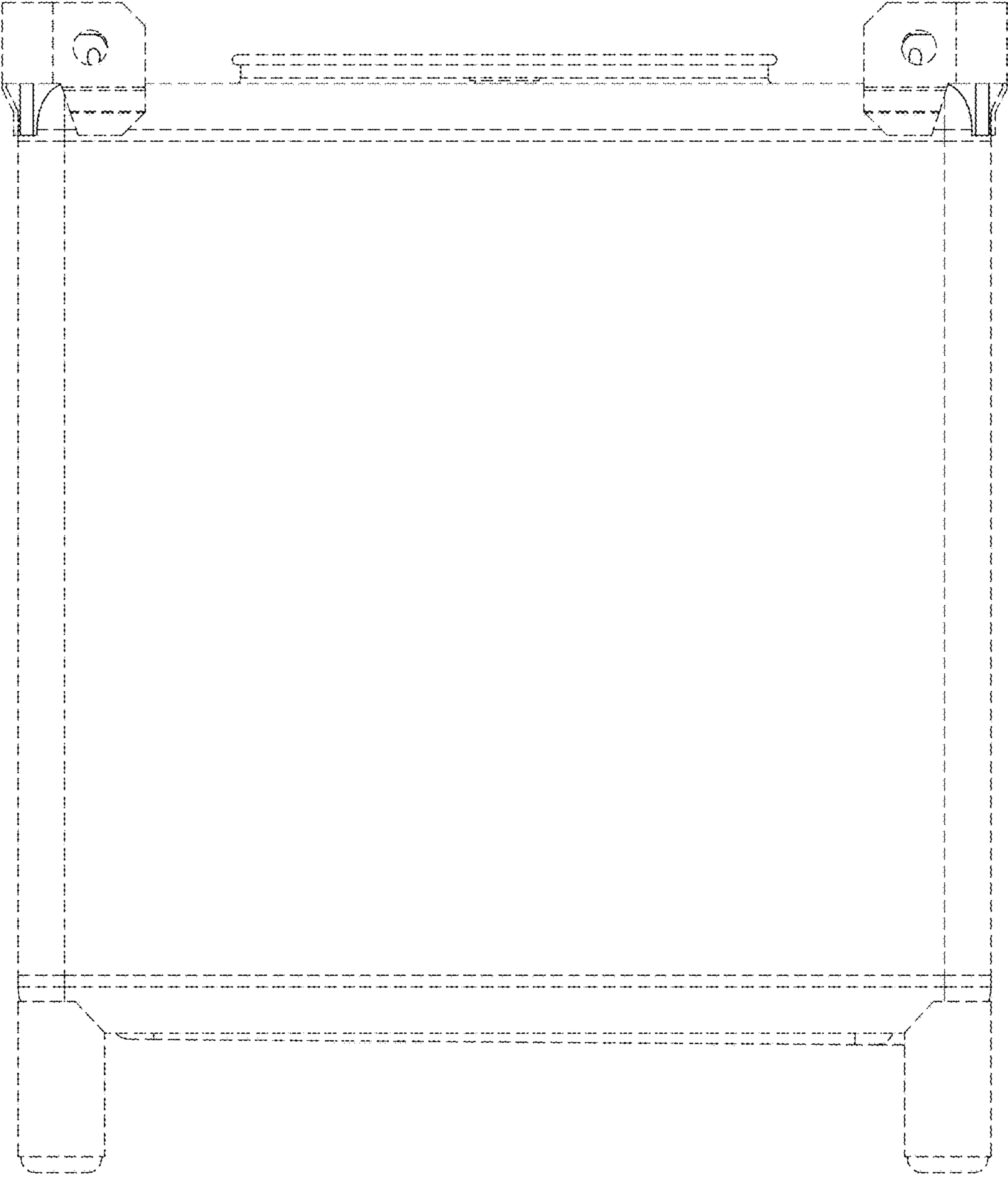
*Fig. 2.*



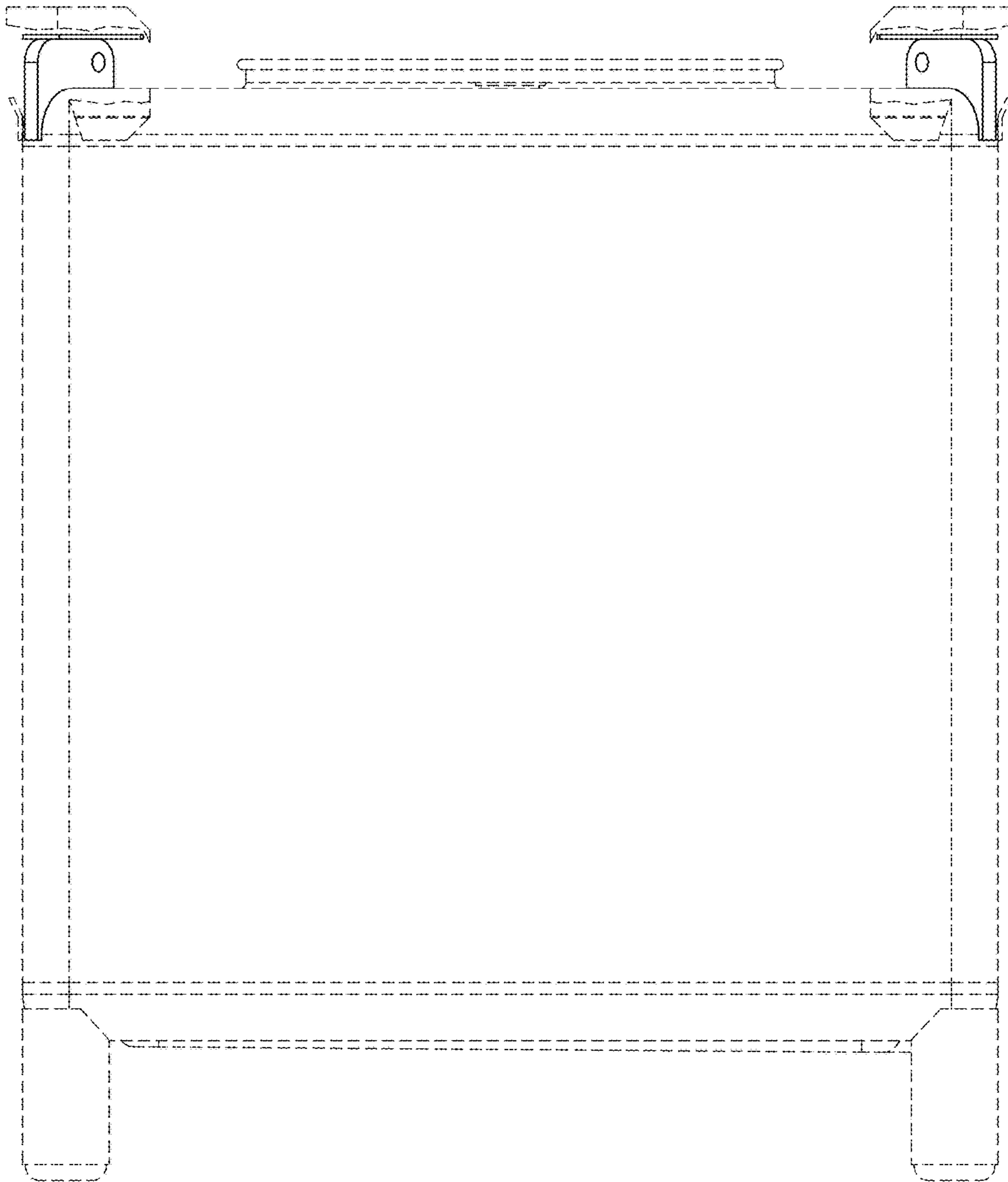
*Fig. 3.*



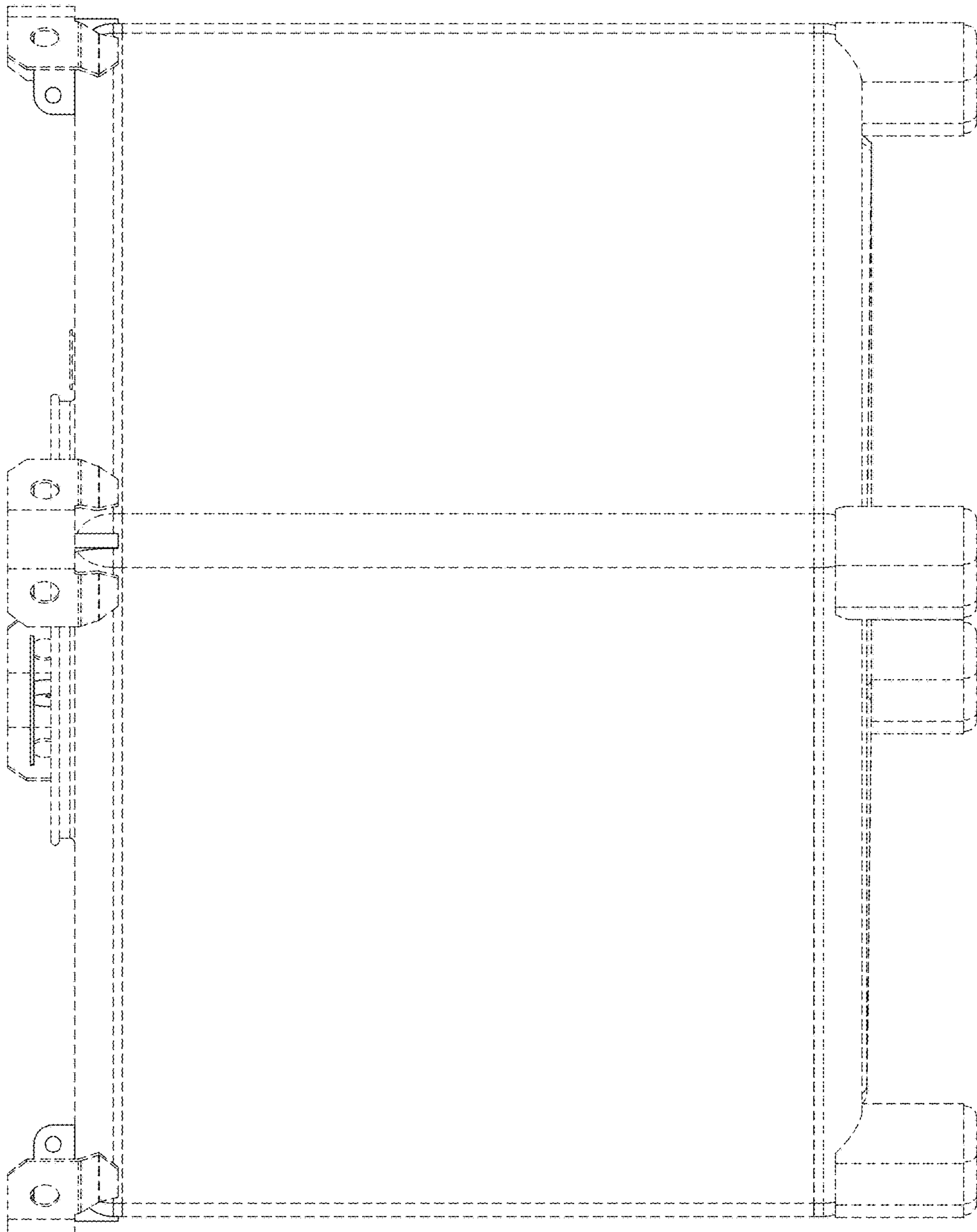
*Fig. 4.*



*Fig. 5.*

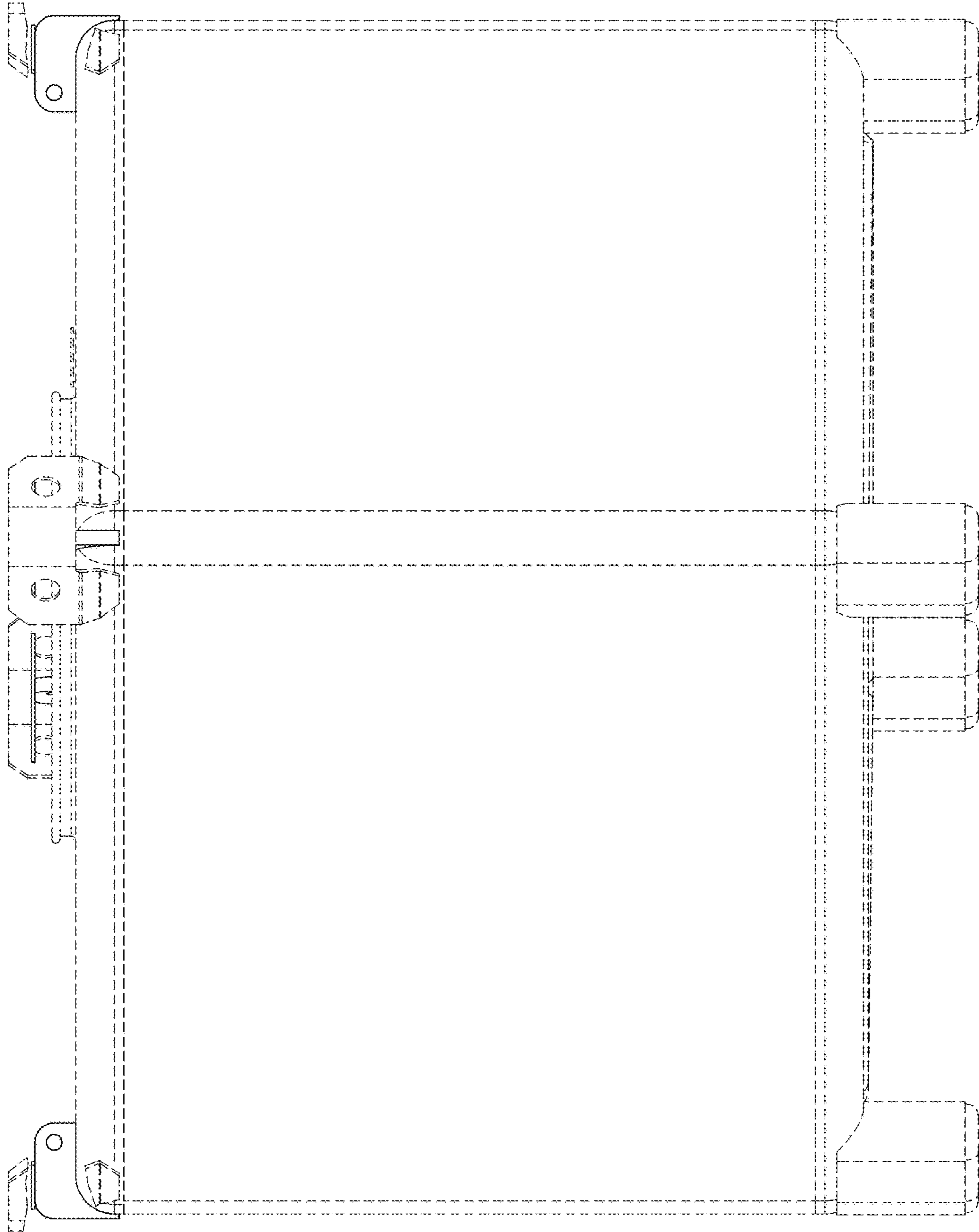


*Fig. 6.*



*Fig. 7.*





*Fig. 8.*