



US00D777876S

(12) **United States Design Patent**
Zhang

(10) **Patent No.:** **US D777,876 S**

(45) **Date of Patent:** **** Jan. 31, 2017**

(54) **COMBINED BIRD, ANIMAL AND BAT PEST REPELLER**

(71) Applicant: **FORTUNE YOUNG CO., LIMITED**,
Hong Kong (CN)

(72) Inventor: **Jian Zhang**, Nanjing (CN)

(73) Assignee: **FORTUNE YOUNG CO., LIMITED**,
Wanchai, HK (CN)

(**) Term: **15 Years**

(21) Appl. No.: **29/553,759**

(22) Filed: **Feb. 4, 2016**

(51) **LOC (10) Cl.** **22-06**

(52) **U.S. Cl.**
USPC **D22/120**

(58) **Field of Classification Search**
USPC D22/119–124; 43/1, 107, 121, 124,
43/131–132.1; 119/719; D23/366–369
CPC A01M 1/08; A01M 1/106; A01M 1/026;
A01M 1/2011; A01M 29/00; A01M
29/12; A01M 29/16; A01M 29/34; A01M
29/28; A01M 31/008; A01M 2200/011;
A01M 2200/012; A01N 25/20; A01N
37/44; A01N 43/16; A01N 49/00

See application file for complete search history.

(56) **References Cited**

U.S. PATENT DOCUMENTS

D469,149 S * 1/2003 Levine D22/120
D558,296 S * 12/2007 Krause D22/120
D768,806 S * 10/2016 Wu D22/120

* cited by examiner

Primary Examiner — Catheri Oliver-Garcia

(74) *Attorney, Agent, or Firm* — Hudak, Shunk & Farine
Co. LPA

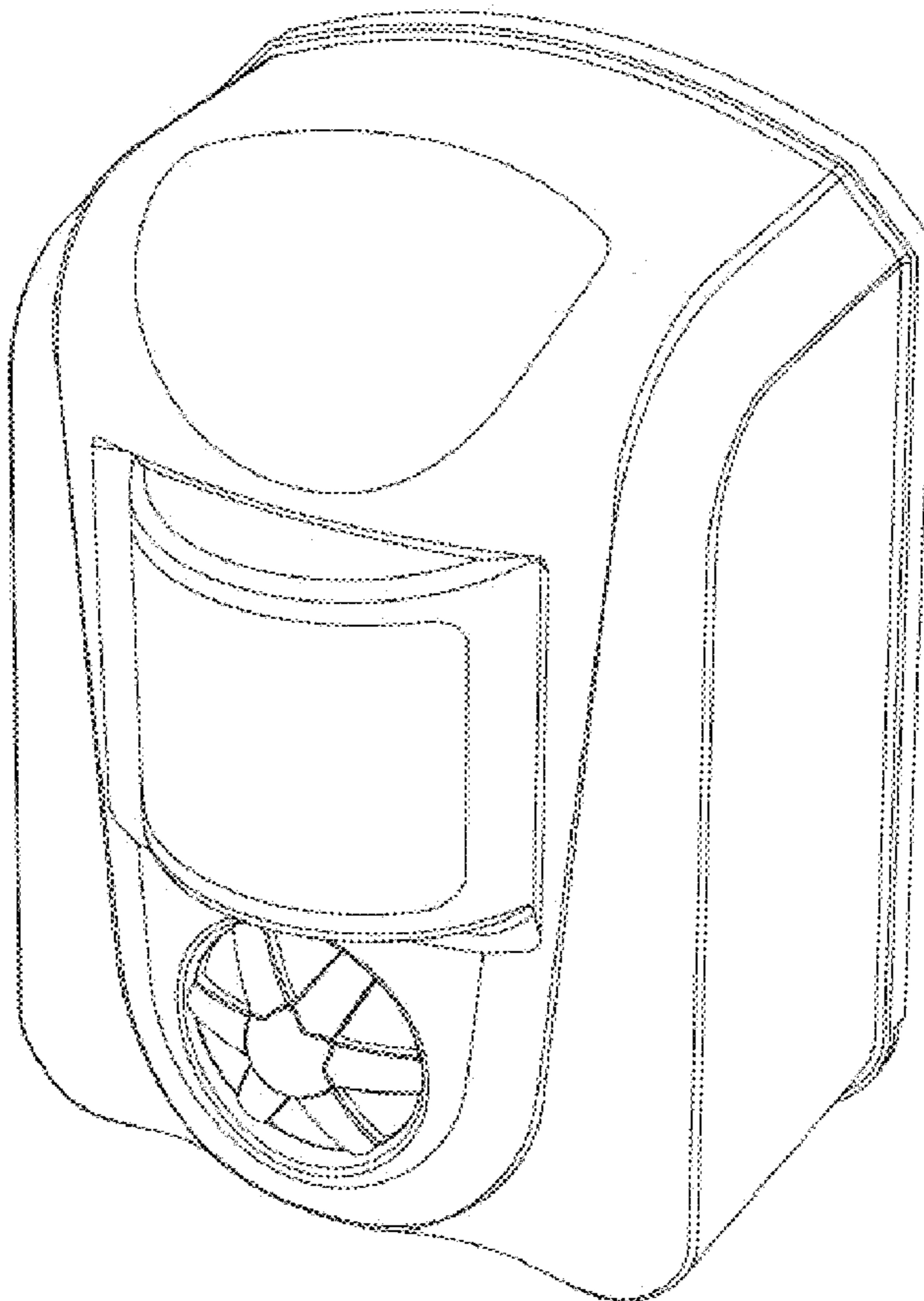
(57) **CLAIM**

The ornamental design for a combined bird, animal and bat pest repeller, as shown and described.

DESCRIPTION

FIG. 1 is a front view of a combined bird, animal and bat pest repeller;
FIG. 2 is a rear view thereof;
FIG. 3 is a left side view thereof;
FIG. 4 is a right side view thereof;
FIG. 5 is a top view thereof;
FIG. 6 is a bottom view thereof; and,
FIG. 7 is a perspective view thereof.

1 Claim, 7 Drawing Sheets



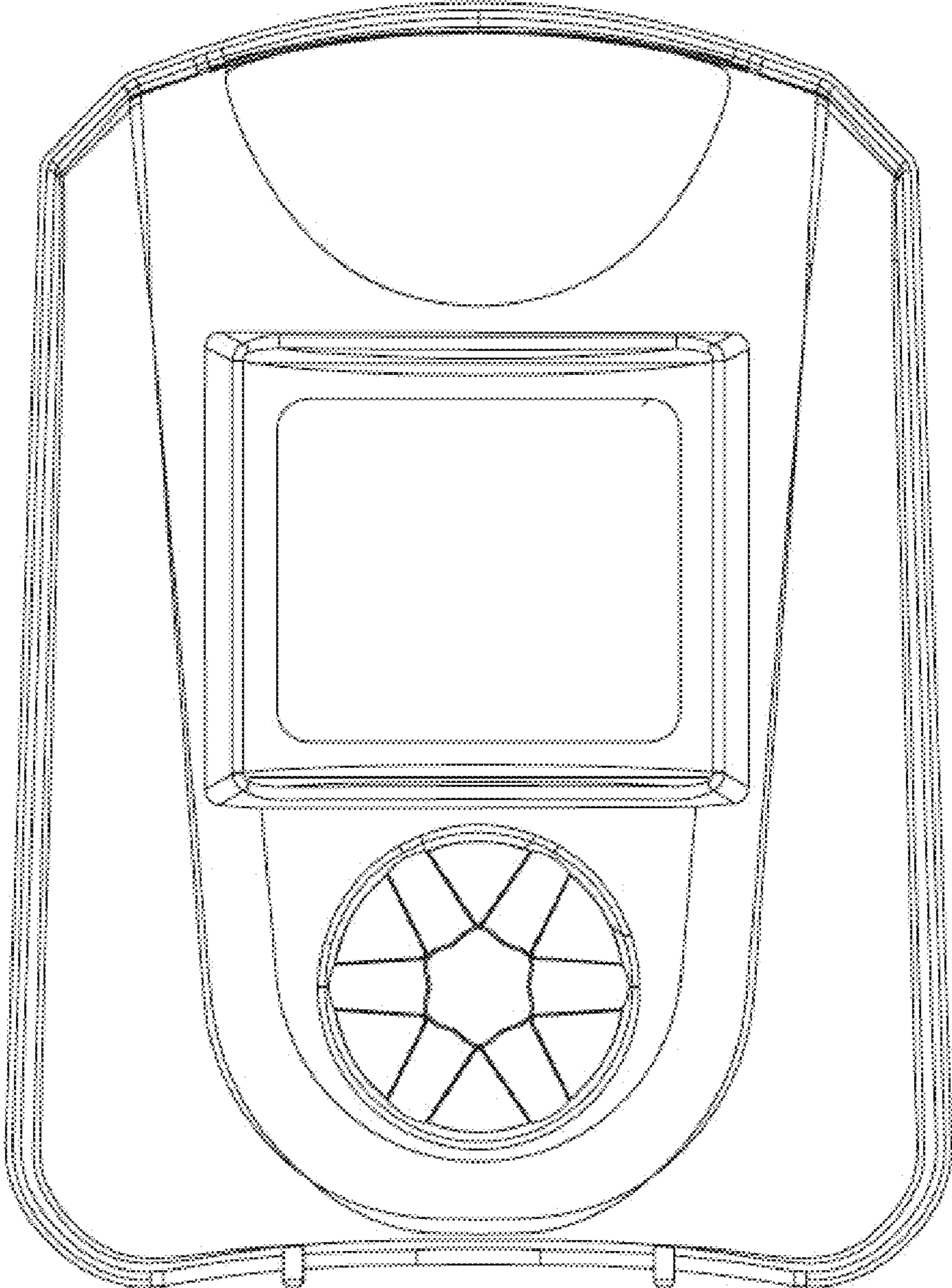


FIG. 1

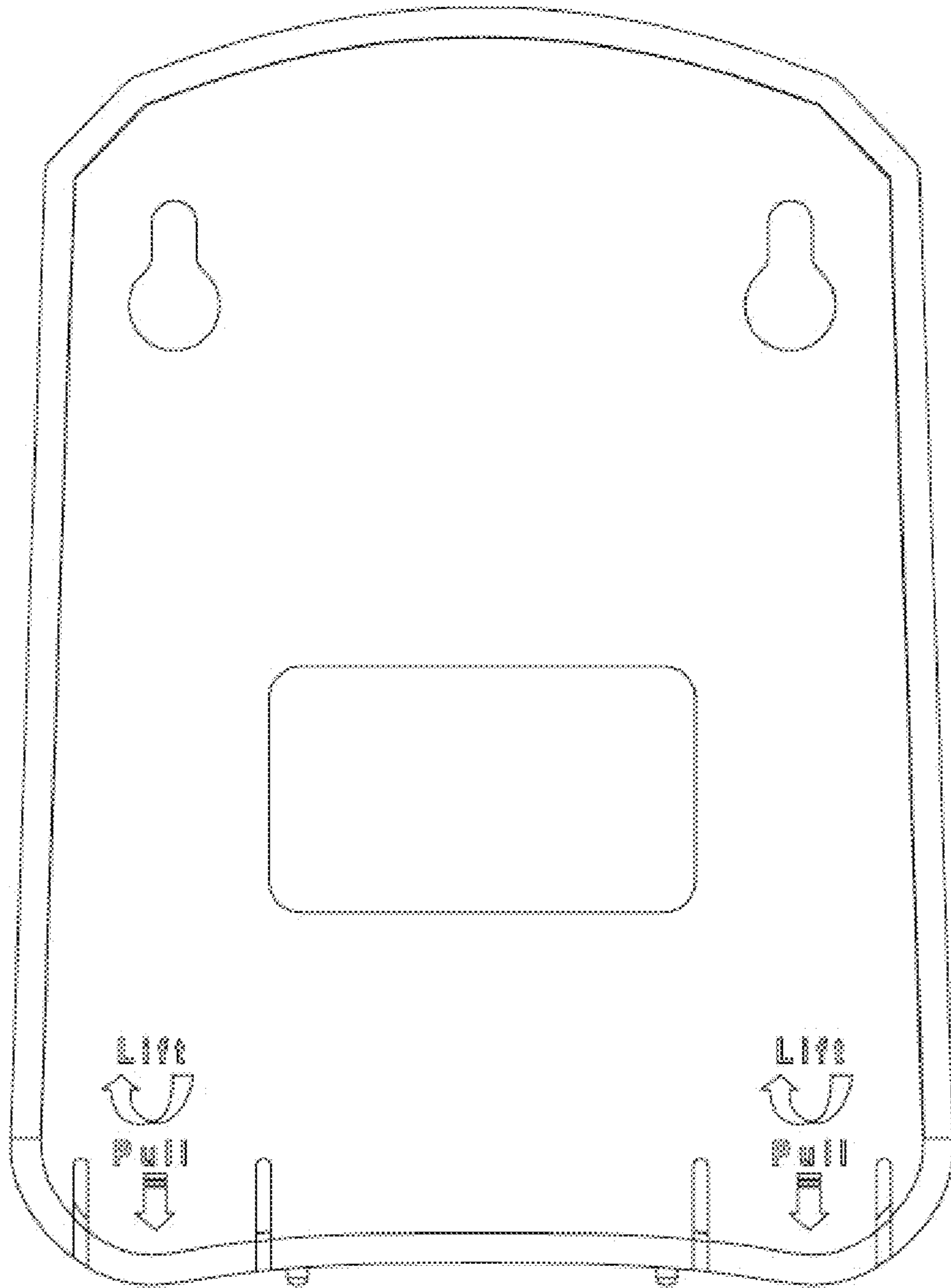


FIG. 2

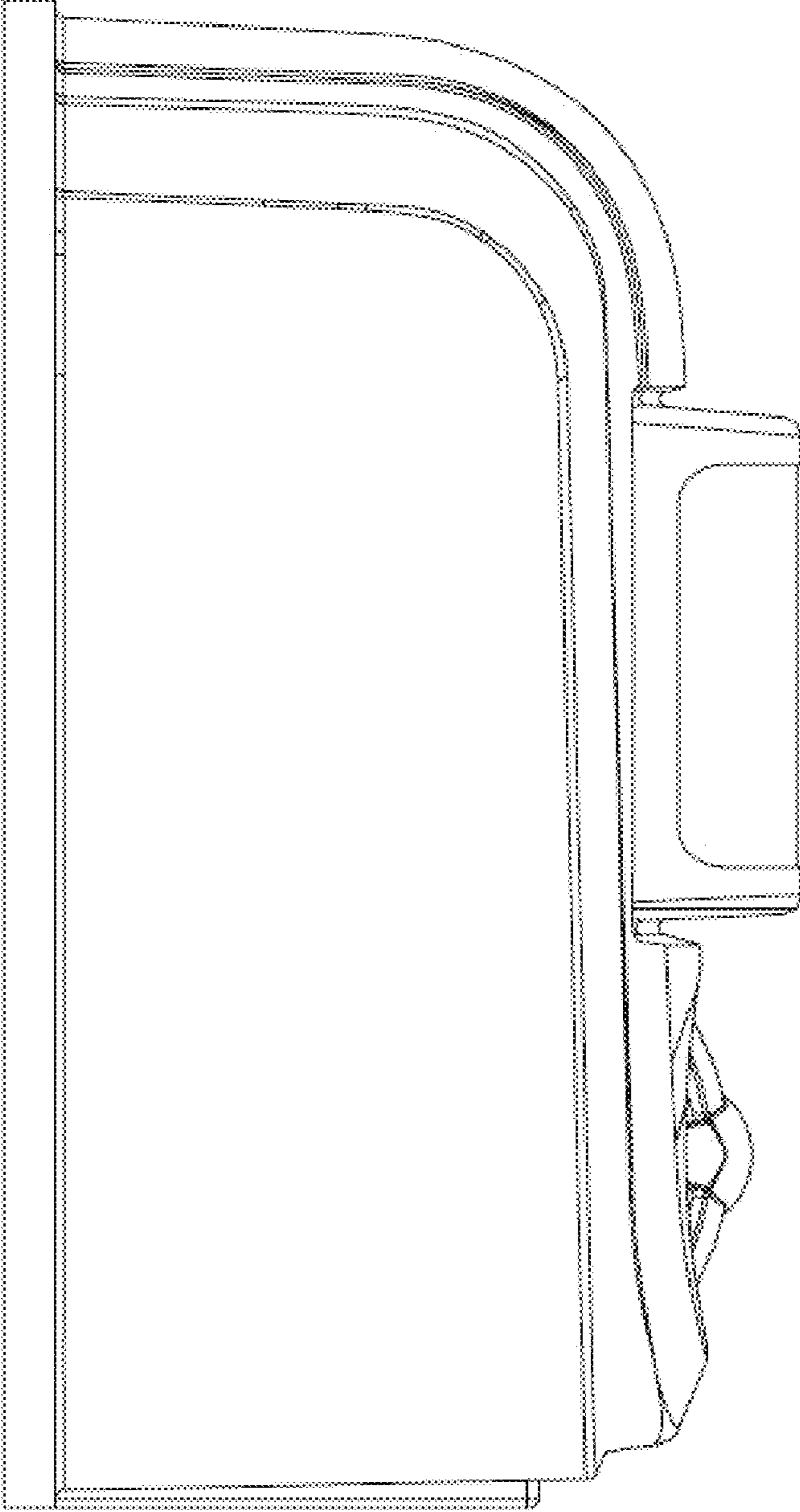


FIG. 3

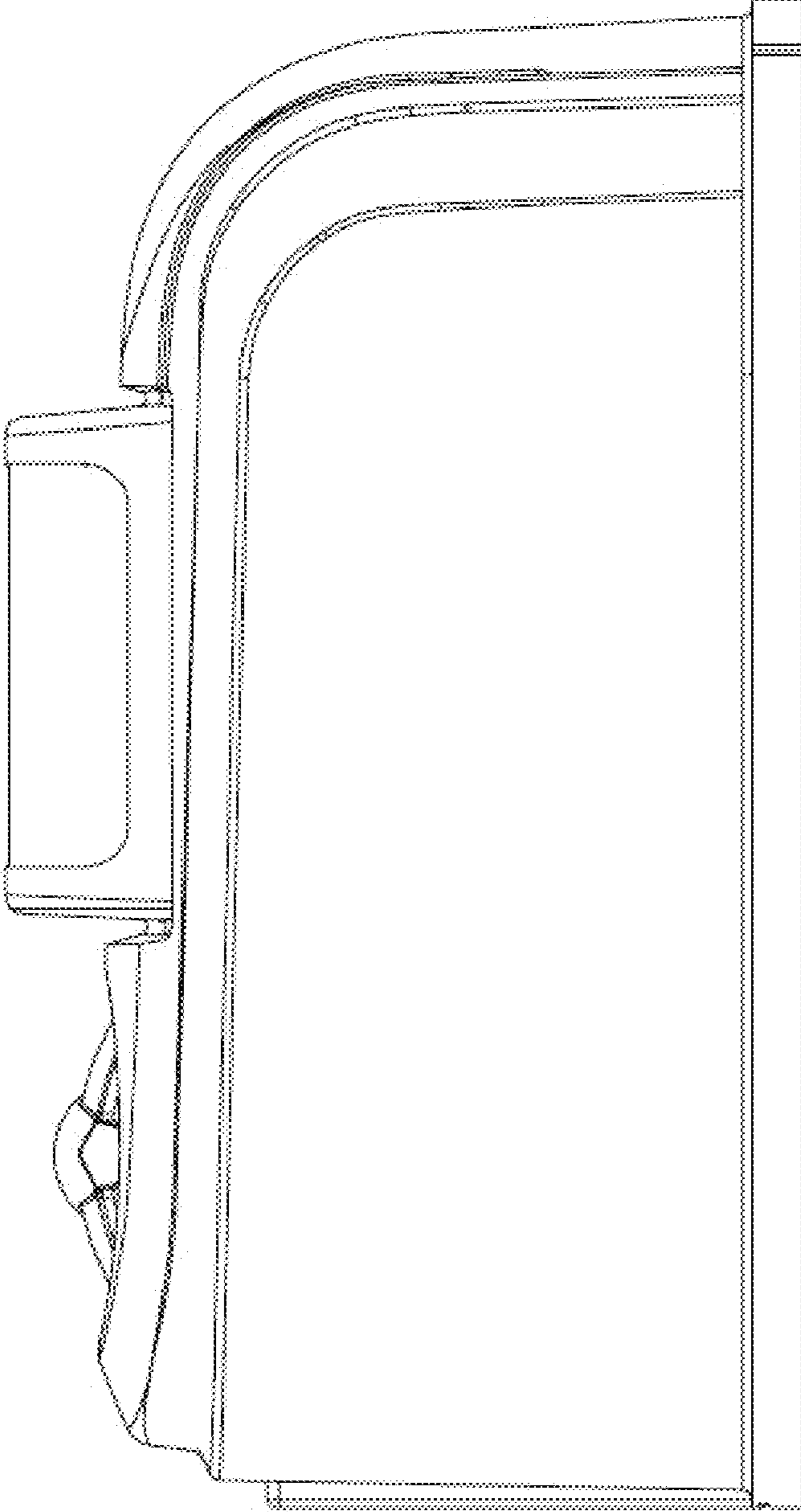


FIG. 4

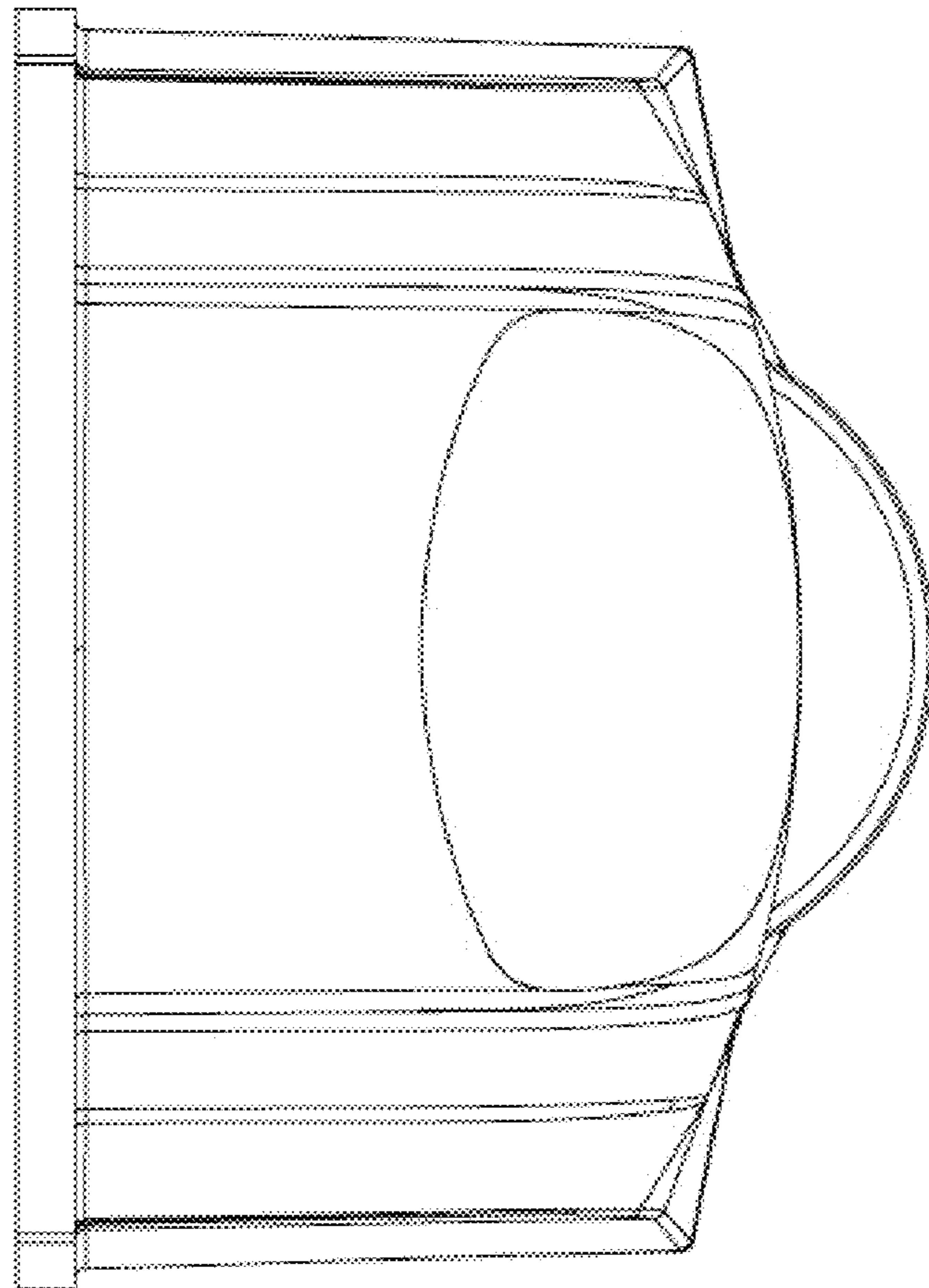


FIG. 5

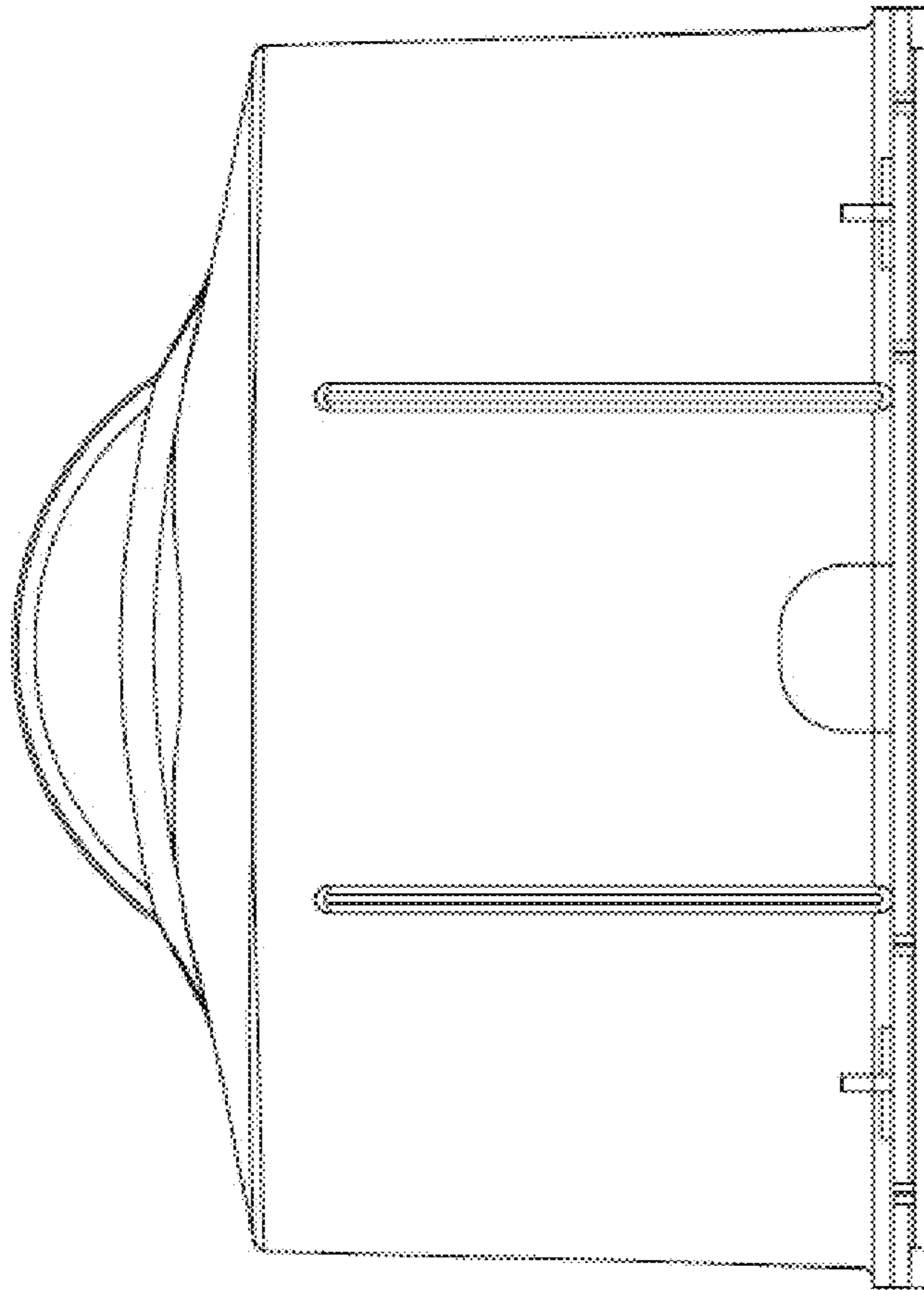


FIG. 6

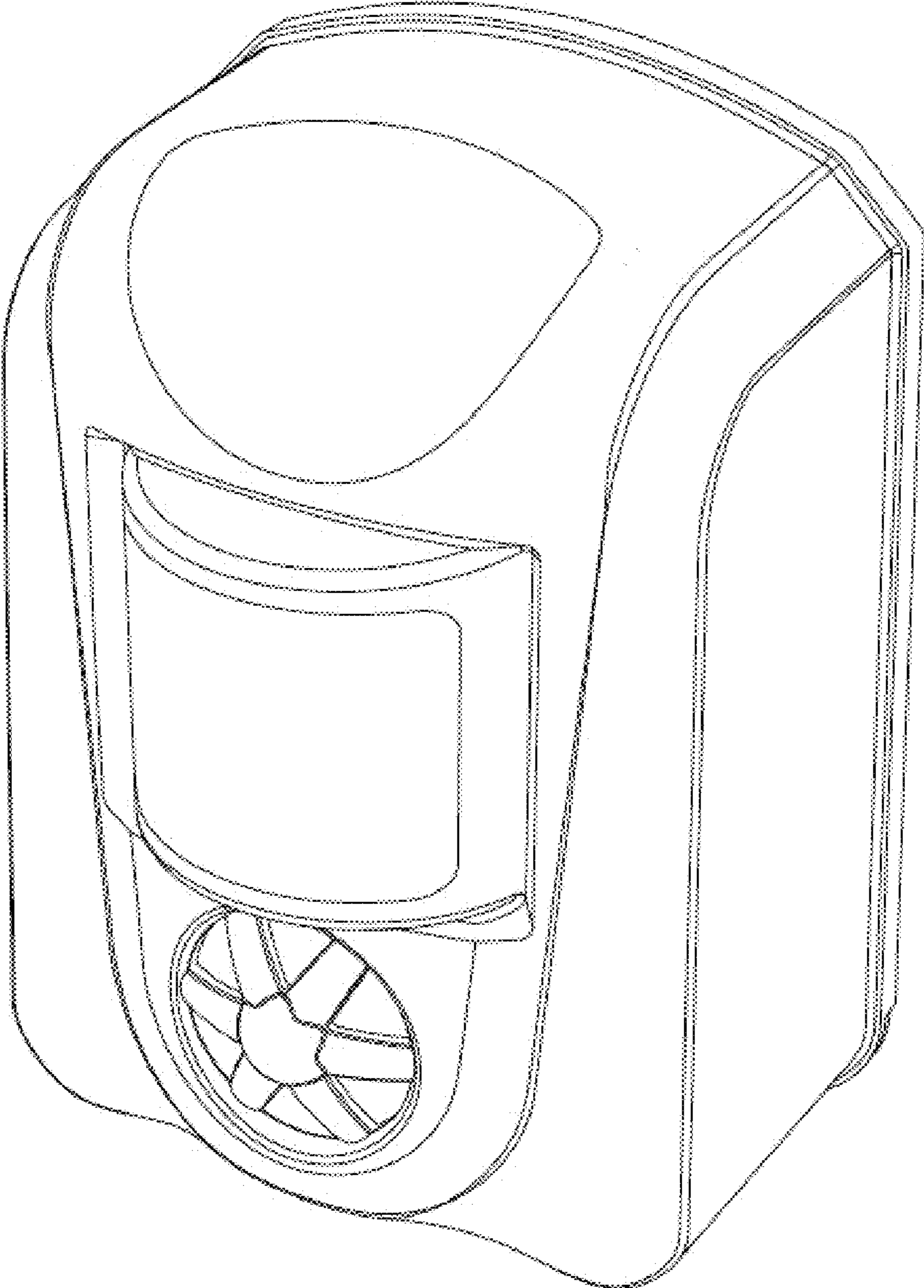


FIG. 7