



US00D777875S

(12) **United States Design Patent**
Bubar et al.

(10) **Patent No.: US D777,875 S**

(45) **Date of Patent: ** *Jan. 31, 2017**

- (54) **MOUSE BAIT BOX**
- (71) Applicant: **Reckitt Benckiser (Brands) Limited**,
Berkshire (GB)
- (72) Inventors: **Don Bubar**, Addison, IL (US); **Don Seydel**, Addison, IL (US)
- (73) Assignee: **RECKITT BENCKISER (BRANDS) LIMITED**, Slough (GB)
- (*) Notice: This patent is subject to a terminal disclaimer.
- (**) Term: **15 Years**

D423,631 S *	4/2000	Shultz	D22/119
6,272,789 B1 *	8/2001	Huang	A01M 23/04 43/58
D605,726 S *	12/2009	Brandt	D22/119
D609,303 S *	2/2010	Brandt	D22/119
D617,864 S *	6/2010	Cink	D22/119
D635,635 S *	4/2011	Pryor	D22/119
D661,368 S *	6/2012	Leathers	D22/119
D662,171 S *	6/2012	Dell'Orco	D22/119
D686,689 S *	7/2013	Bernard	D22/122
2015/0351378 A1 *	12/2015	Zero	A01M 23/08 43/62
2016/0066557 A1 *	3/2016	Frisch	A01M 23/14 43/60

- (21) Appl. No.: **29/531,631**
- (22) Filed: **Jun. 29, 2015**
- (30) **Foreign Application Priority Data**

Jan. 6, 2015 (EM) 002608752-0002

- (51) **LOC (10) Cl.** **22-99**
- (52) **U.S. Cl.**
USPC **D22/119**
- (58) **Field of Classification Search**
USPC D22/119, 120, 121, 122, 123, 124, 136
CPC A01N 25/04; A01N 25/34; A01N 41/04;
A01N 37/44; A01M 25/002; A01M 23/00;
A01M 23/08; A01M 23/18; A01M 23/20;
A01M 23/22
See application file for complete search history.

- (56) **References Cited**
U.S. PATENT DOCUMENTS
1,703,990 A * 3/1929 Daniels A01M 23/18
43/61
4,091,560 A * 5/1978 Haertling A01K 63/006
43/100

* cited by examiner

Primary Examiner — Manpreet Matharu
Assistant Examiner — Suzanne Tisdell
(74) *Attorney, Agent, or Firm* — Troutman Sanders LLP;
Ryan Schneider

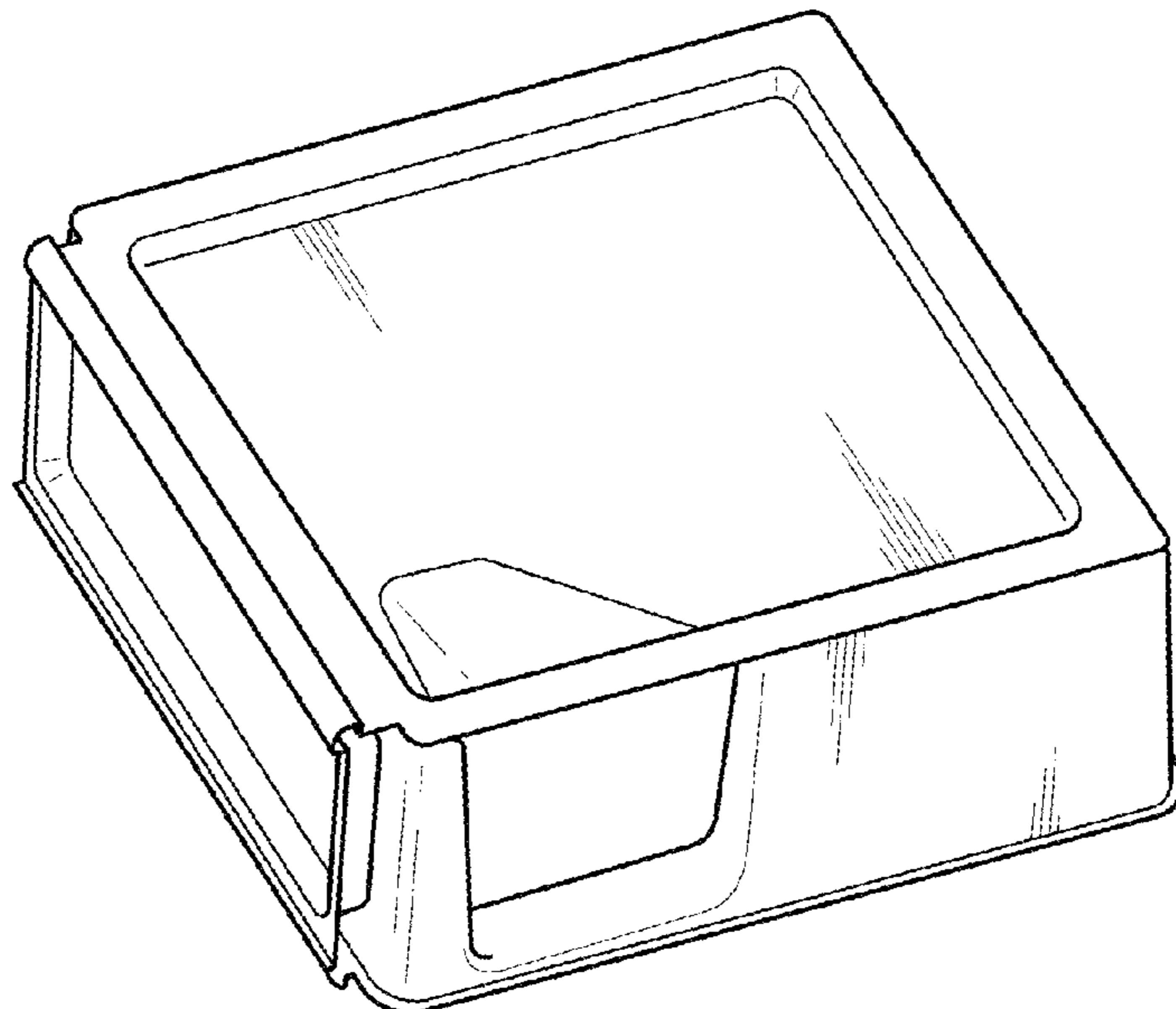
(57) **CLAIM**

The ornamental design for a mouse bait box, as shown and described.

DESCRIPTION

FIG. 1 is a perspective view of a mouse bait box of the present invention;
FIG. 2 is a back view of the mouse bait box of FIG. 1;
FIG. 3 is a side view of the mouse bait box of FIG. 1;
FIG. 4 is a front view of the mouse bait box of FIG. 1;
FIG. 5 is the other side view of the mouse bait box of FIG. 1;
FIG. 6 is a top view of the mouse bait box of FIG. 1; and,
FIG. 7 is a bottom view of the mouse bait box of FIG. 1.

1 Claim, 7 Drawing Sheets



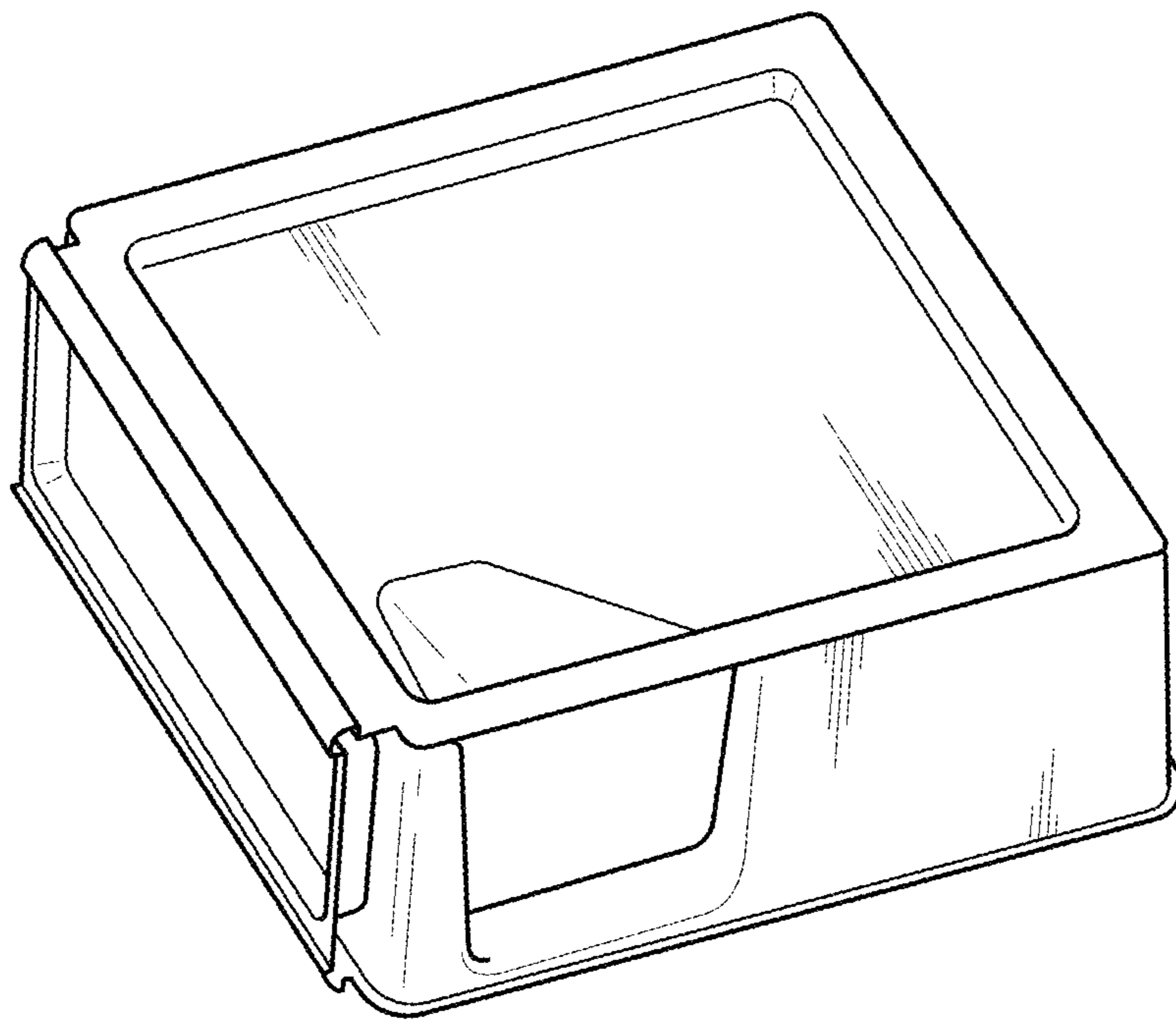


Fig. 1

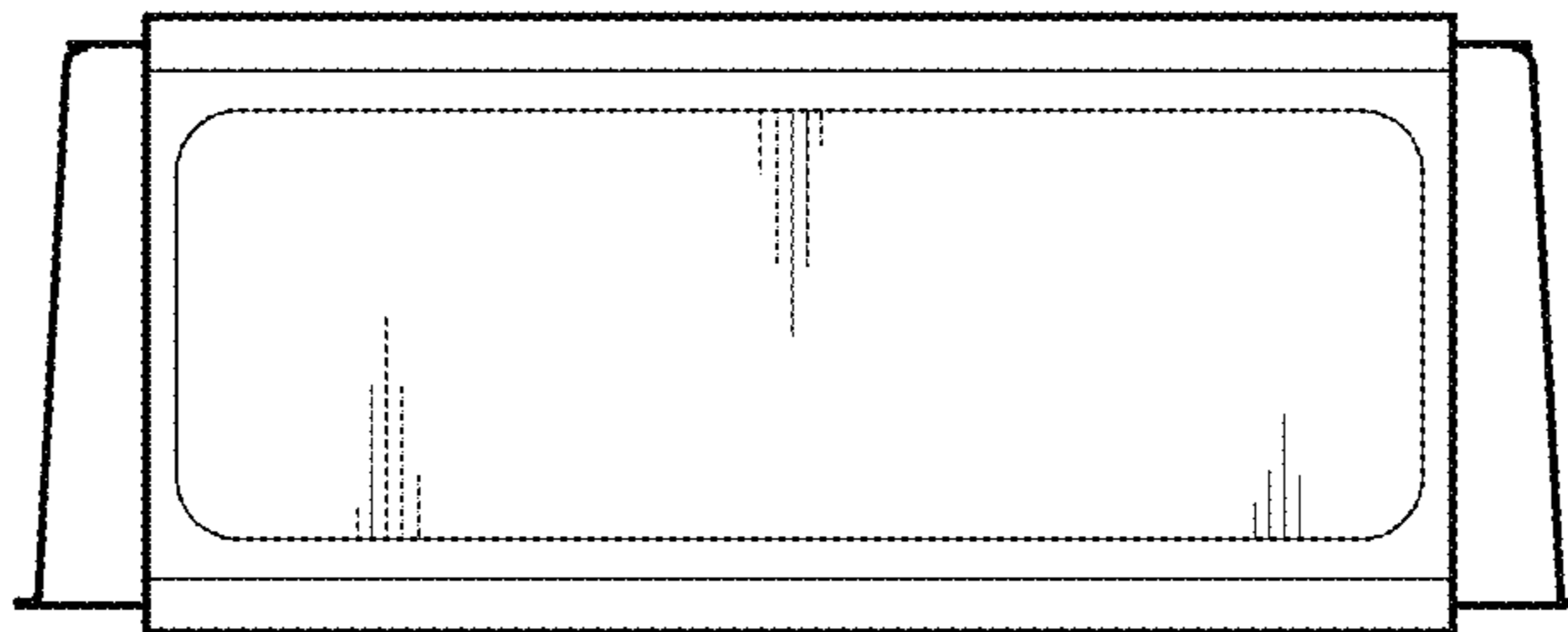


Fig. 2

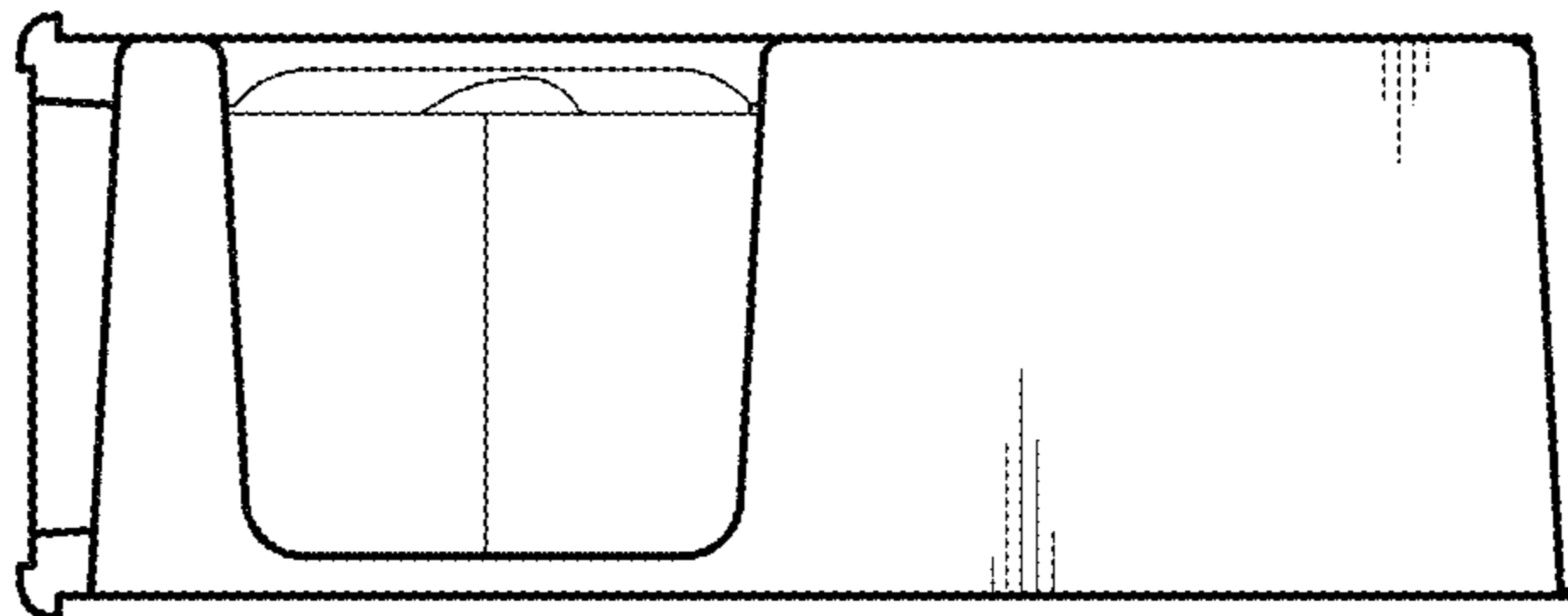


Fig. 3

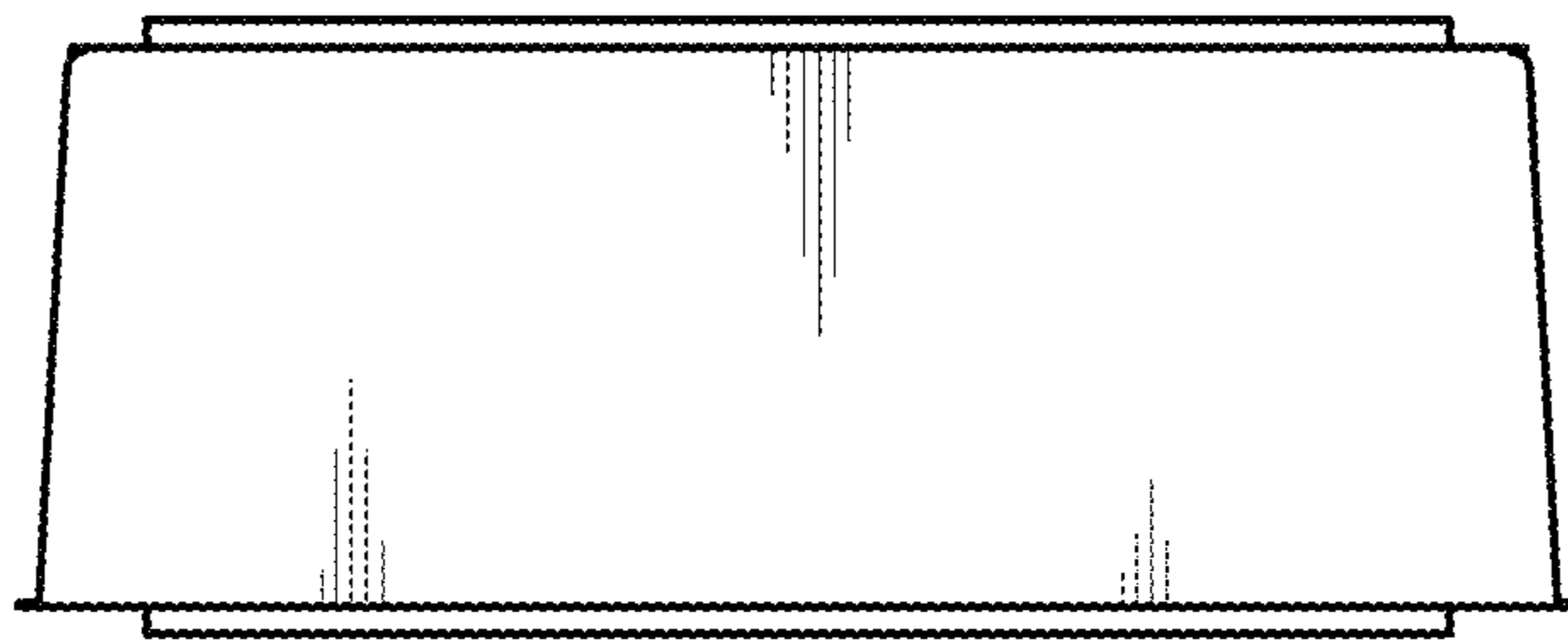


Fig. 4



Fig. 5

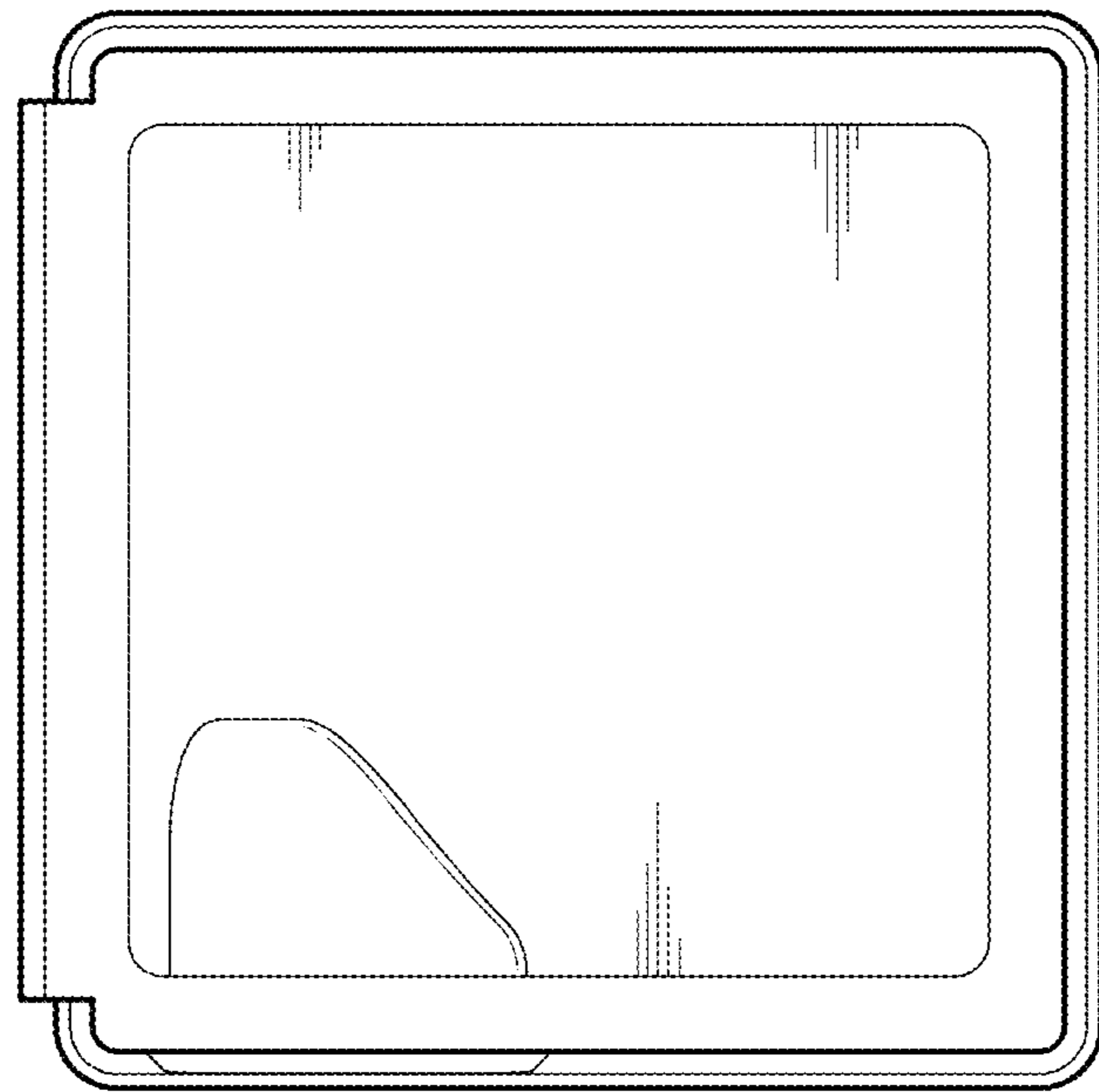


Fig. 6

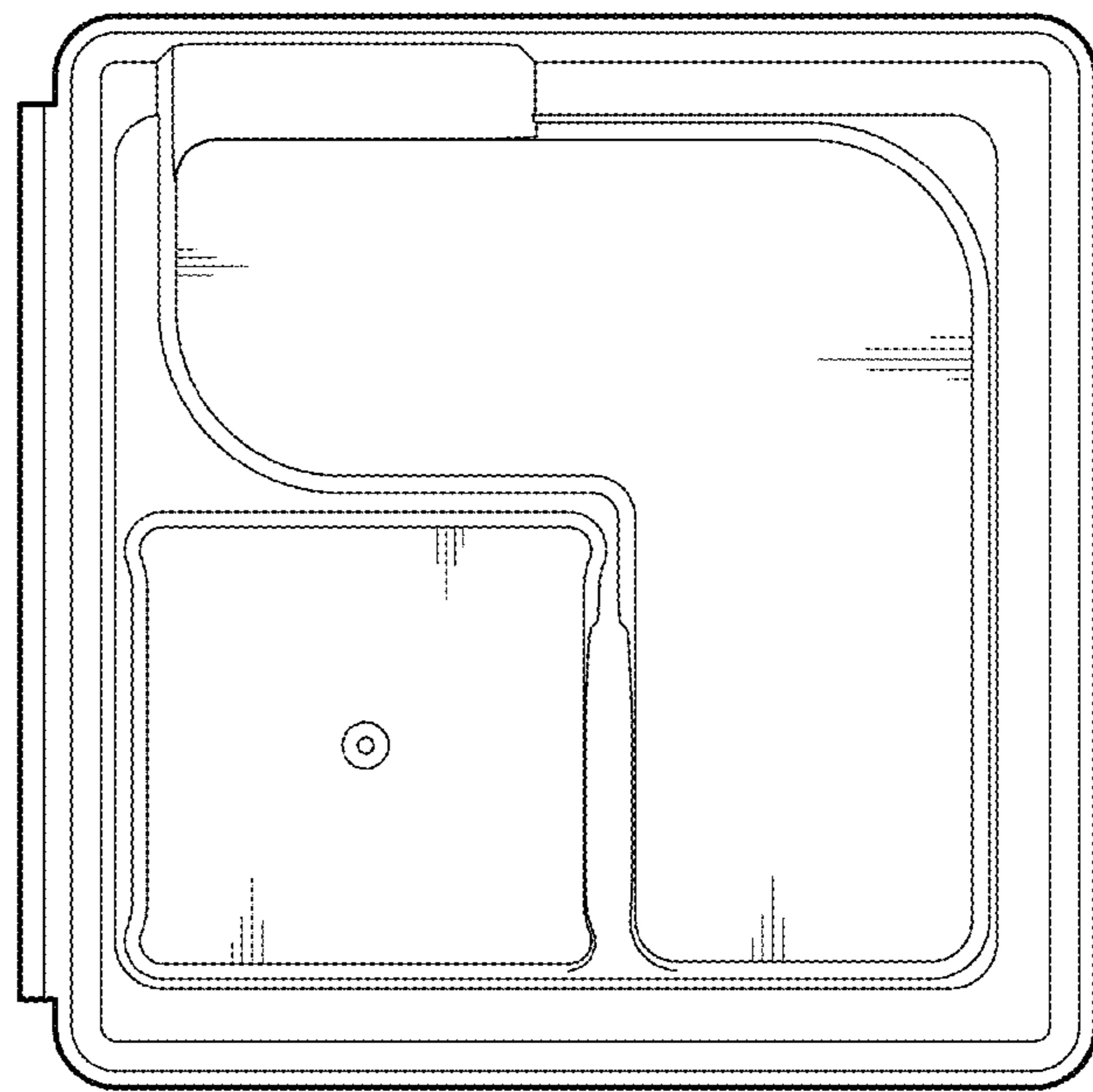


Fig. 7