



US00D777874S

(12) **United States Design Patent**  
**Bubar et al.**

(10) **Patent No.: US D777,874 S**  
(45) **Date of Patent: \*\* \*Jan. 31, 2017**

- (54) **MOUSE BAIT BOX**
- (71) Applicant: **Reckitt Benckiser (Brands) Limited**,  
Berkshire (GB)
- (72) Inventors: **Don Bubar**, Addison, IL (US); **Don Seydel**, Addison, IL (US)
- (73) Assignee: **RECKITT BENCKISER (BRANDS) LIMITED**, Slough (GB)
- (\*) Notice: This patent is subject to a terminal disclaimer.

D423,631 S *	4/2000	Shultz	.....	D22/119
6,272,789 B1 *	8/2001	Huang	.....	A01M 23/04
				43/58
D605,726 S *	12/2009	Brandt	.....	D22/119
D609,303 S *	2/2010	Brandt	.....	D22/119
D617,864 S *	6/2010	Cink	.....	D22/119
D635,635 S *	4/2011	Pryor	.....	D22/119
D661,368 S *	6/2012	Leathers	.....	D22/119
D662,171 S *	6/2012	Dell'Orco	.....	D22/119
D686,689 S *	7/2013	Bernard	.....	D22/122
2015/0351378 A1 *	12/2015	Zero	.....	A01M 23/08
				43/62
2016/0066557 A1 *	3/2016	Frisch	.....	A01M 23/14
				43/60

(\*\*) Term: **15 Years**

(21) Appl. No.: **29/531,630**

(22) Filed: **Jun. 29, 2015**

(30) **Foreign Application Priority Data**

Jan. 6, 2015 (EM) ..... 002608752-0001

(51) **LOC (10) Cl.** ..... **22-99**

(52) **U.S. Cl.**  
USPC ..... **D22/119**

(58) **Field of Classification Search**  
USPC ..... D22/119, 120, 121, 122, 123, 124, 136  
CPC ..... A01N 25/04; A01N 25/34; A01N 41/04;  
A01N 37/44; A01M 25/002; A01M 23/00;  
A01M 23/08; A01M 23/18; A01M 23/20;  
A01M 23/22

See application file for complete search history.

(56) **References Cited**

**U.S. PATENT DOCUMENTS**

1,703,990 A *	3/1929	Daniels	.....	A01M 23/18
				43/61
4,091,560 A *	5/1978	Haertling	.....	A01K 63/006
				43/100

\* cited by examiner

*Primary Examiner* — Manpreet Matharu

*Assistant Examiner* — Suzanne Tisdell

(74) *Attorney, Agent, or Firm* — Troutman Sanders LLP;  
Ryan Schneider

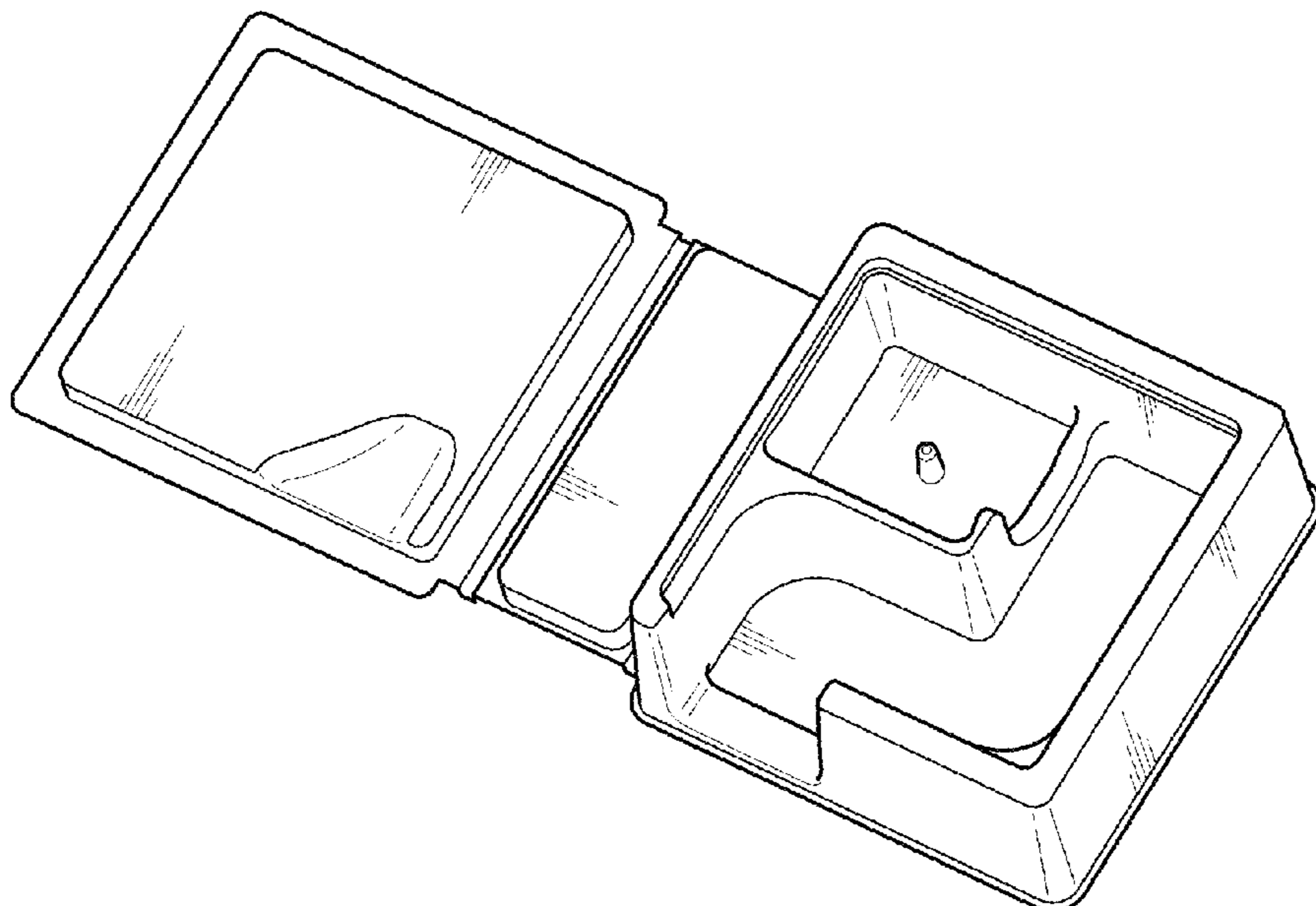
(57) **CLAIM**

The ornamental design for a mouse bait box, as shown and described.

**DESCRIPTION**

FIG. 1 is a perspective view of a mouse bait box of the present invention;  
FIG. 2 is a back view of the mouse bait box of FIG. 1;  
FIG. 3 is a side view of the mouse bait box of FIG. 1;  
FIG. 4 is a front view of the mouse bait box of FIG. 1;  
FIG. 5 is the other side view of the mouse bait box of FIG. 1;  
FIG. 6 is a top view of the mouse bait box of FIG. 1; and,  
FIG. 7 is a bottom view of the mouse bait box of FIG. 1.

**1 Claim, 7 Drawing Sheets**



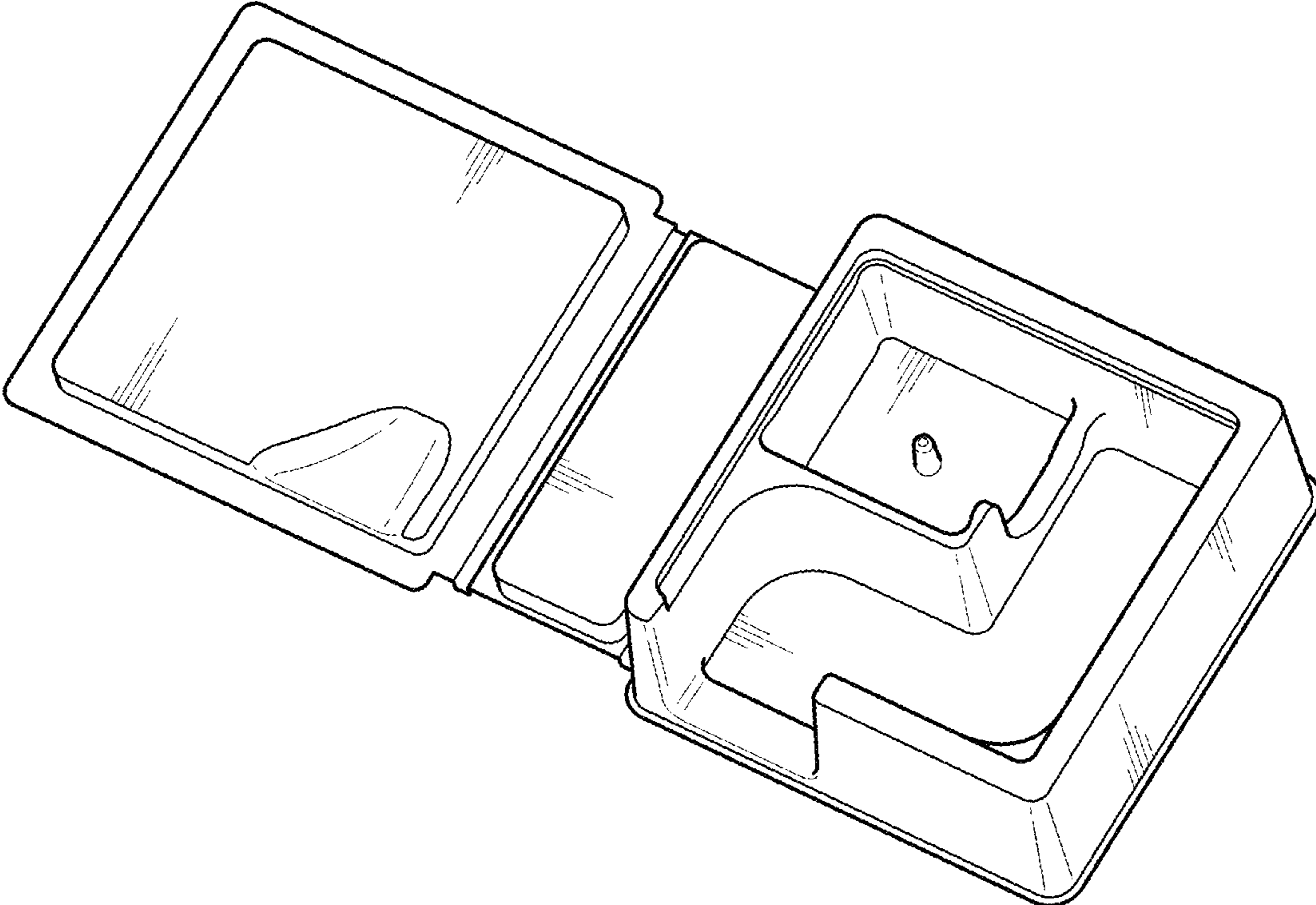
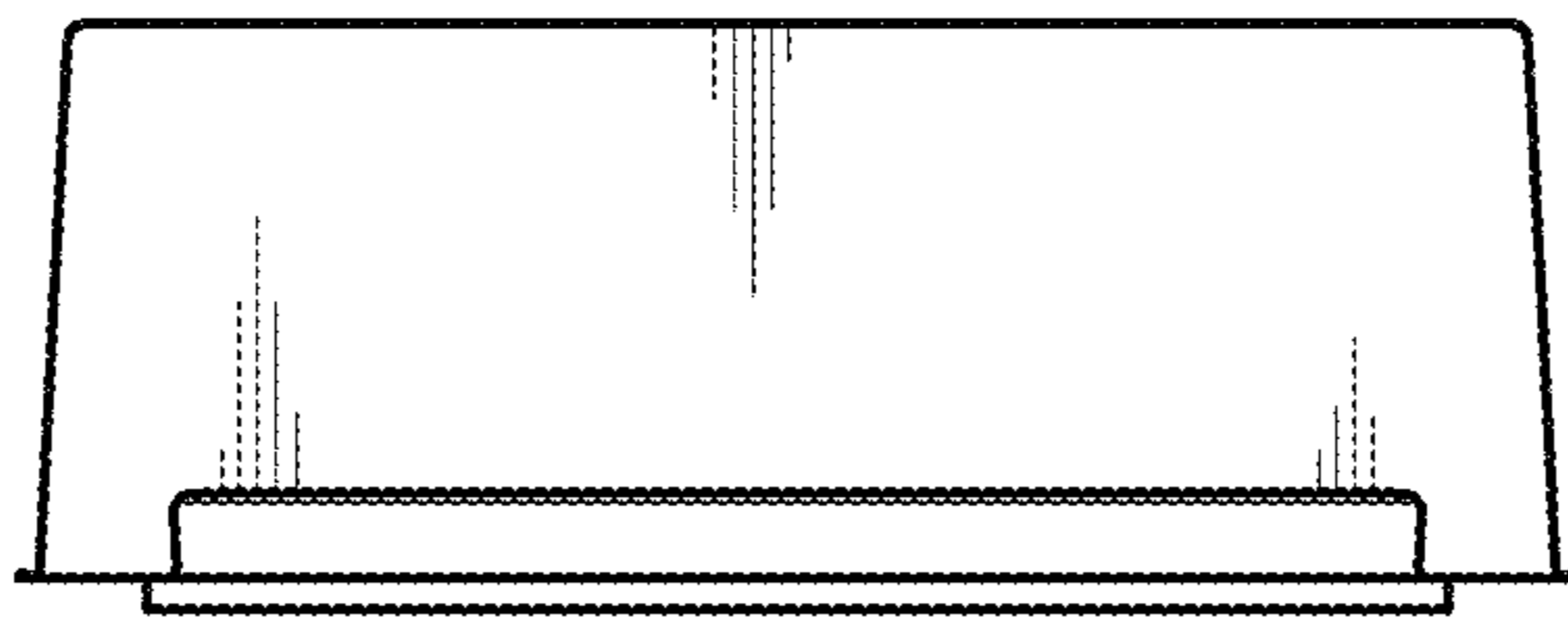
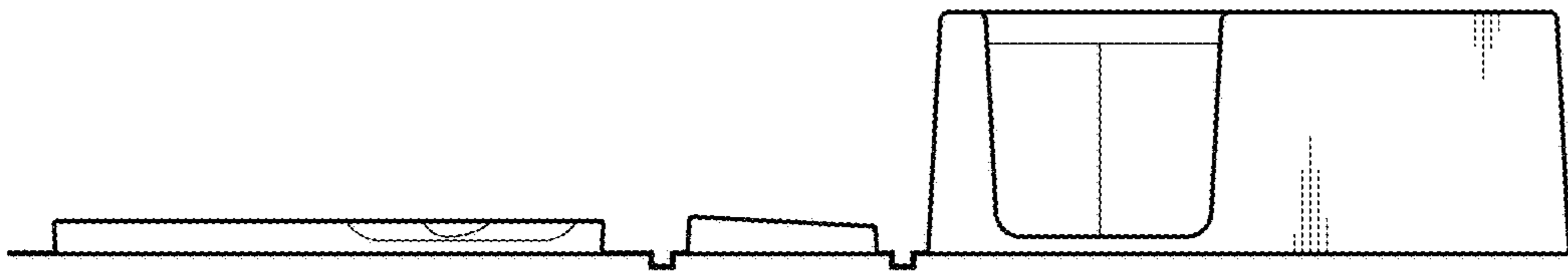


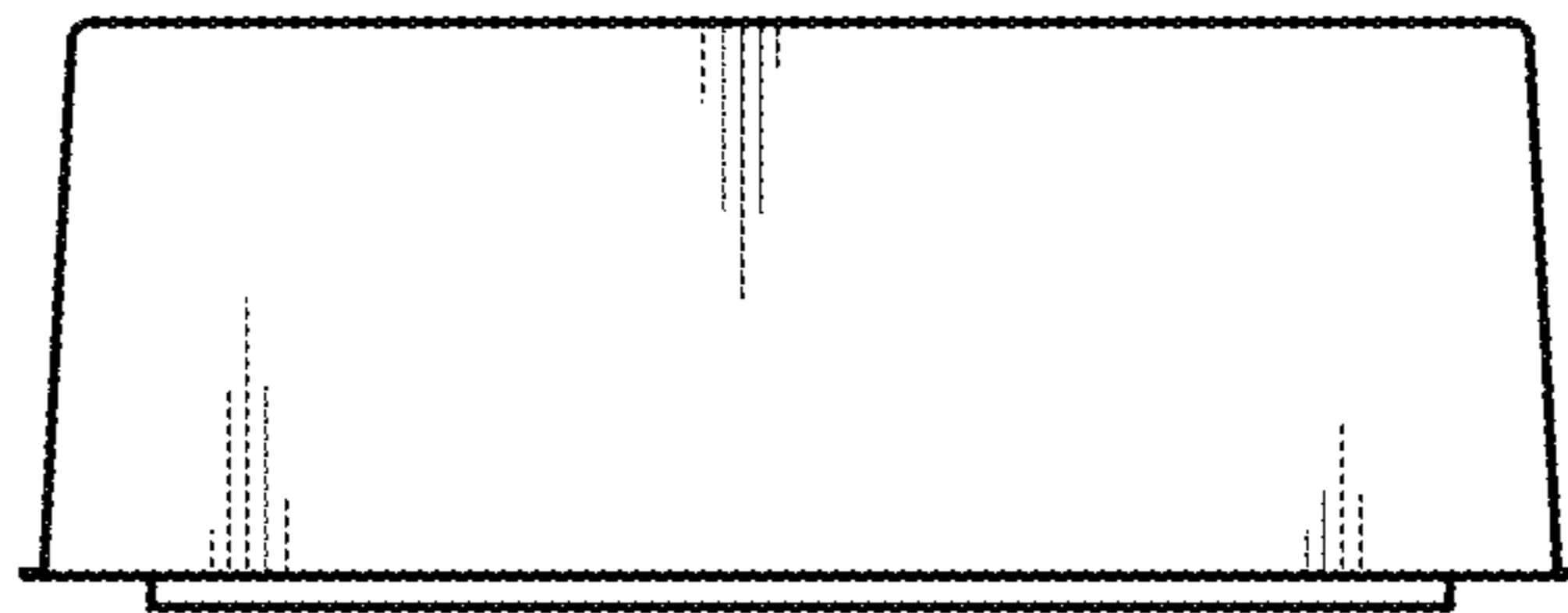
Fig. 1



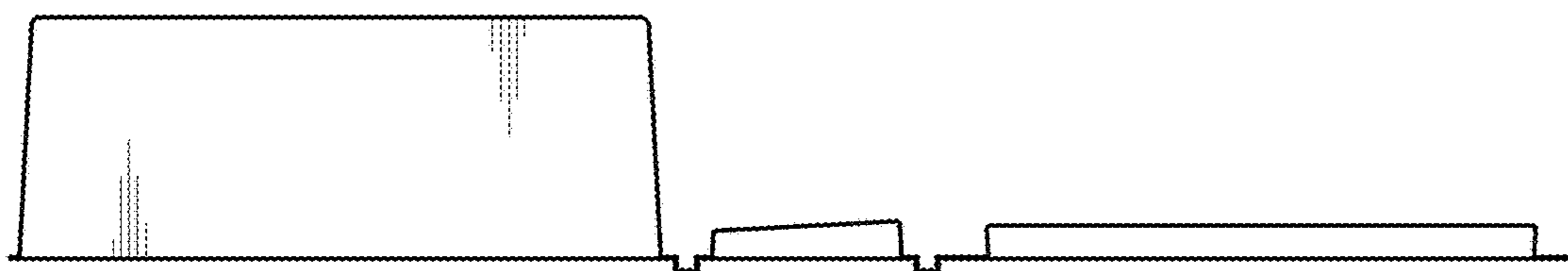
*Fig. 2*



*Fig. 3*



*Fig. 4*



*Fig. 5*

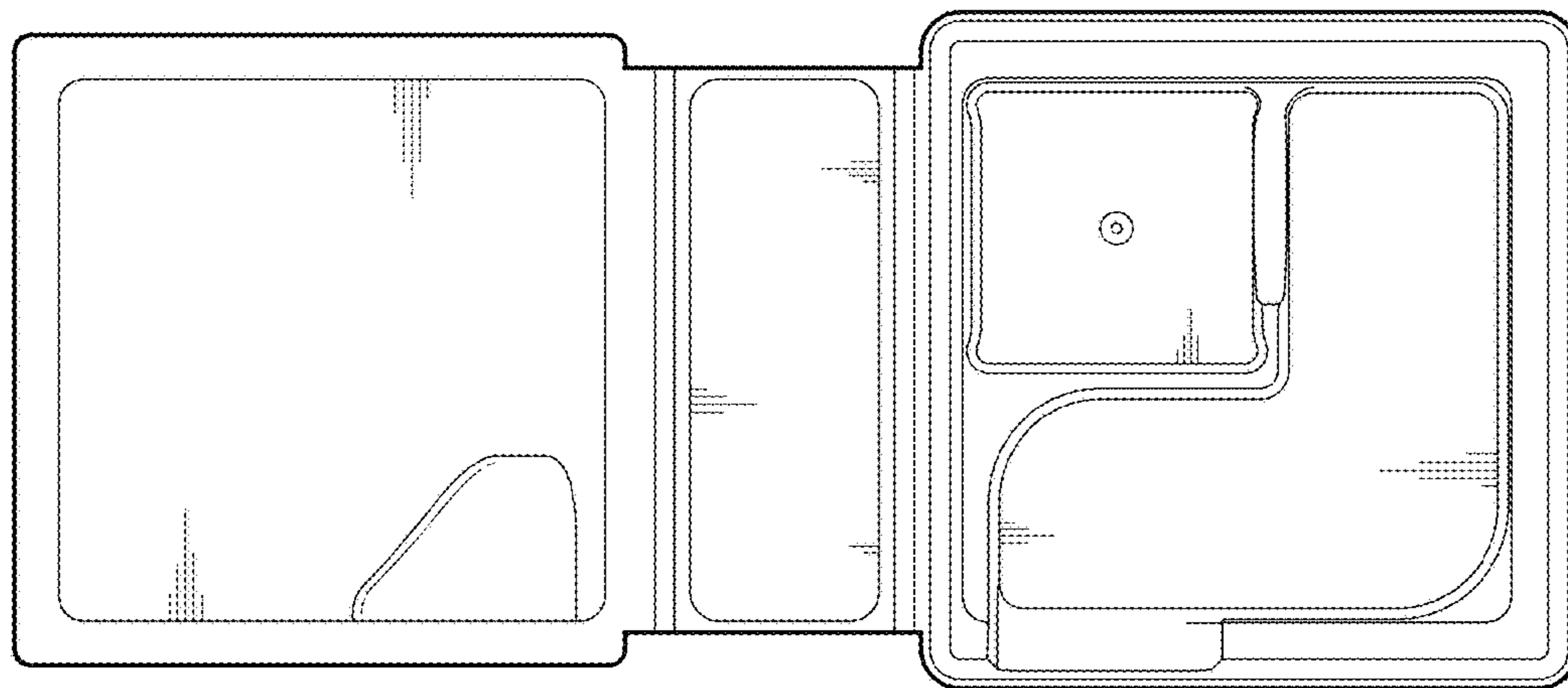


Fig. 6

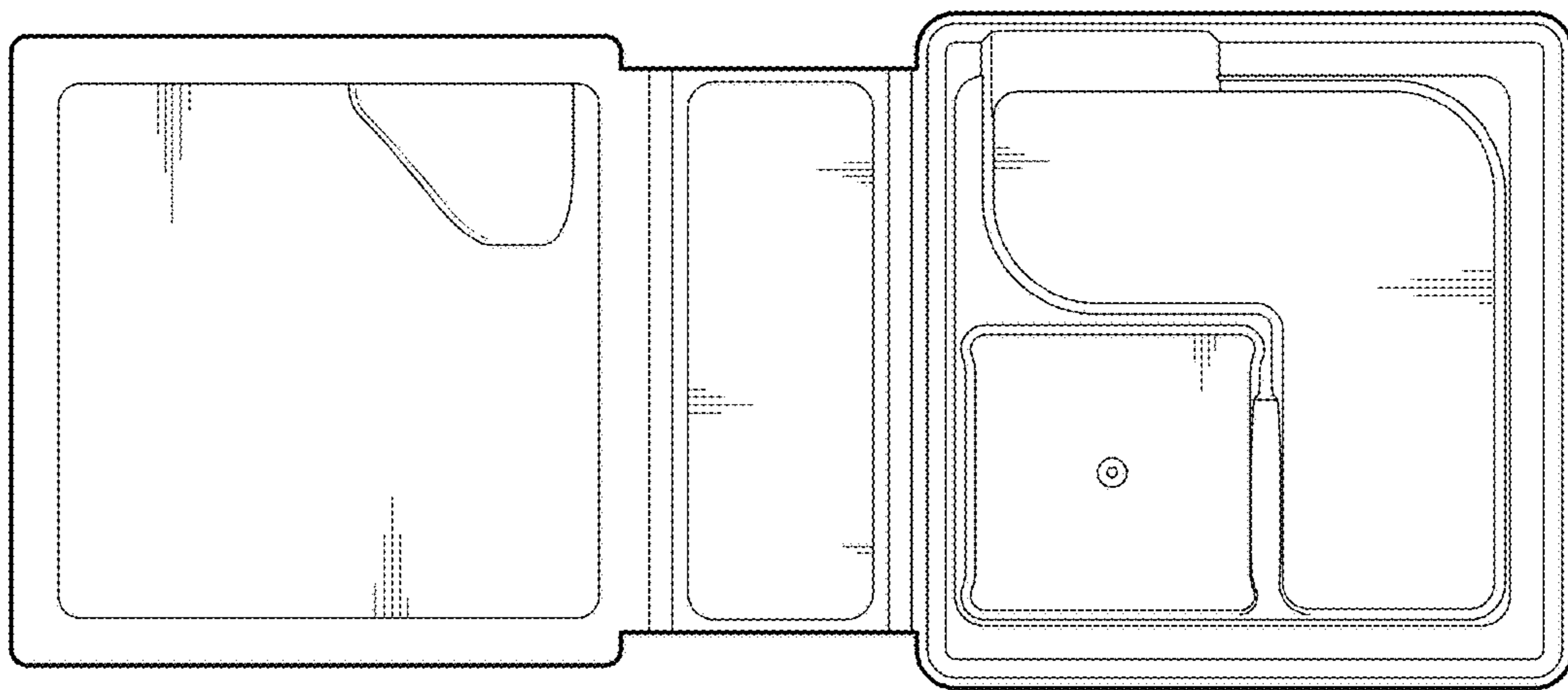


Fig. 7