



US00D777872S

(12) **United States Design Patent** (10) **Patent No.:** **US D777,872 S**  
**Wolf** (45) **Date of Patent:** **\*\* Jan. 31, 2017**

(54) **HANDGUN SLIDE WITH GROOVED DESIGN PATTERN**

FOREIGN PATENT DOCUMENTS

(71) Applicant: **ZEV Technologies, Inc.**, Oxnard, CA (US)

DE EP1717539 \* 11/2006  
WO WO0216855 \* 2/2002 ..... F41A 19/70

(72) Inventor: **Alec Daniel Wolf**, Newbury Park, CA (US)

OTHER PUBLICATIONS

(73) Assignee: **ZEV Technologies, Inc.**, Oxnard, CA (US)

Enhanced Socom w/RMR abs. Co-wit in Graphite Gray, Glock 19 Gen 4., ZEV Technologies website, No date on website, [online], [site visited Sep. 14, 2016]. <URL: <http://zevtechnologies.com/Z19-Gen-Enhanced-SOCOM-RMR-Abs-Cowitness-Grey-4th-Gen>>.\*

(\*\*) Term: **15 Years**

(Continued)

(21) Appl. No.: **29/551,797**

*Primary Examiner* — T. Chase Nelson

(22) Filed: **Jan. 15, 2016**

*Assistant Examiner* — Jonathan J Han

(51) **LOC (10) Cl.** ..... **22-01**

(74) *Attorney, Agent, or Firm* — Knobbe Martens Olson & Bear LLP

(52) **U.S. Cl.**

USPC ..... **D22/108**

(58) **Field of Classification Search**

USPC ..... D22/108, 104; D21/571–575

CPC ..... F41C 3/14; F41C 3/16; F41C 3/04

See application file for complete search history.

(57) **CLAIM**

The ornamental design for the handgun slide with grooved design pattern, as shown and described.

(56) **References Cited**

**DESCRIPTION**

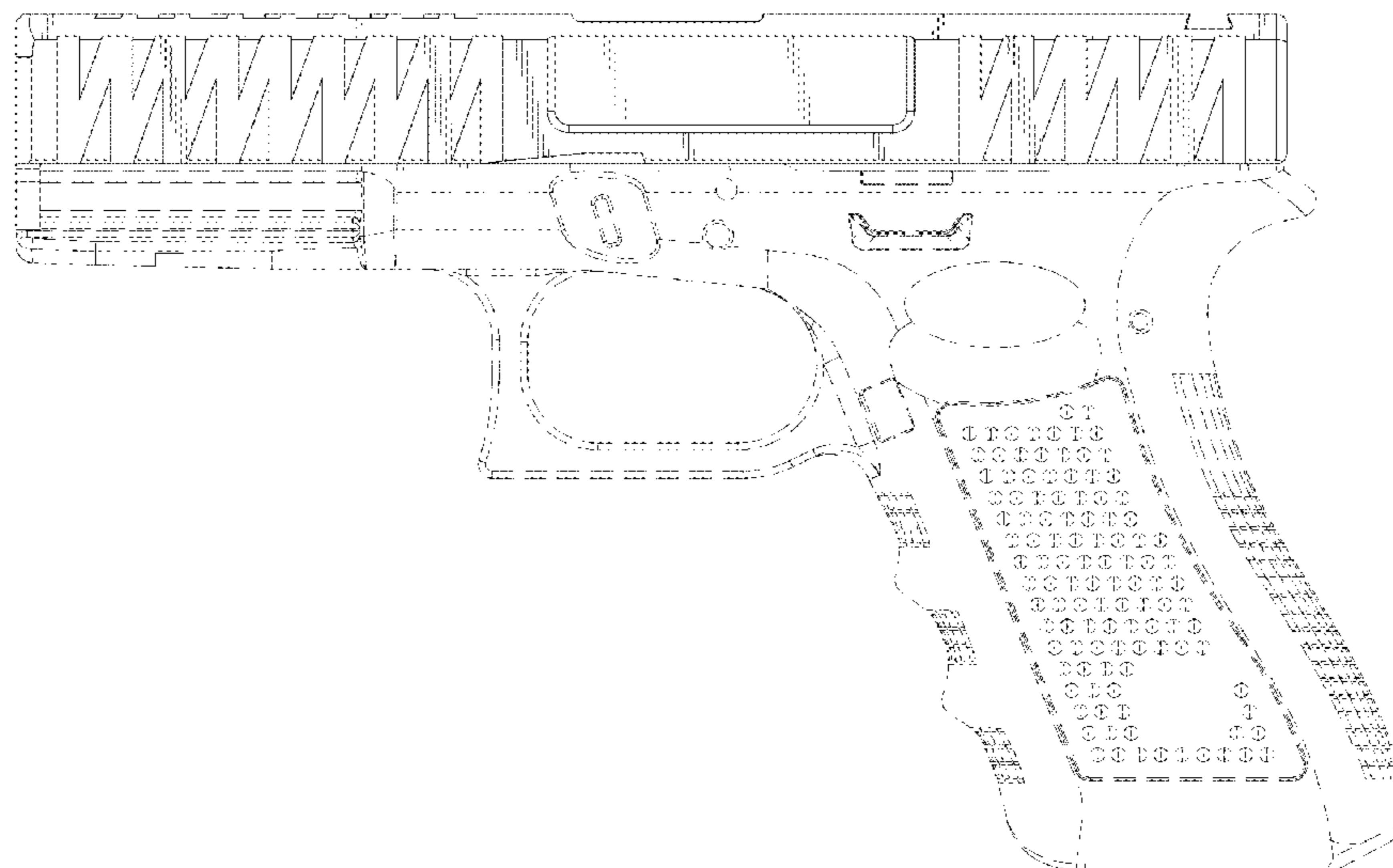
U.S. PATENT DOCUMENTS

D292,112 S \* 9/1987 Ruger ..... D22/104  
D359,098 S \* 6/1995 Stevens ..... D22/104  
D376,831 S \* 12/1996 Resuggan ..... D22/100  
D387,841 S \* 12/1997 Hochstrate ..... D22/100  
D387,842 S \* 12/1997 Kaminski ..... D22/100  
5,717,156 A \* 2/1998 Lenkarski ..... F41C 3/00  
42/15  
5,753,848 A \* 5/1998 Kart ..... F41A 5/04  
89/16  
D503,208 S \* 3/2005 Krieger ..... D22/104  
6,964,123 B2 \* 11/2005 Vicale ..... F41C 3/00  
42/106  
6,993,864 B1 \* 2/2006 O'Clair ..... F41A 5/04  
42/71.02  
D518,056 S \* 3/2006 Ma ..... D14/403

FIG. 1 is left side view of the handgun slide with grooved design pattern;  
FIG. 2 is a right side view of the same;  
FIG. 3 is a top view of the same;  
FIG. 4 is a bottom view of the same;  
FIG. 5 is a front side view of the same; and,  
FIG. 6 is a rear side view of the same.  
The broken lines in FIGS. 1-6 are for the purpose of illustrating environmental structure in the form of a firearm showing the handgun slide with grooved design pattern mounted thereon in a condition of use. The broken lines and structures they depict form no part of the claimed design.

(Continued)

**1 Claim, 4 Drawing Sheets**



(56)

References Cited

U.S. PATENT DOCUMENTS

D559,337 S \* 1/2008 Wang ..... D21/574  
 D583,896 S \* 12/2008 McGarry ..... D22/104  
 D584,374 S \* 1/2009 McGarry ..... D22/104  
 7,506,469 B2 \* 3/2009 Poulin ..... F41A 11/02  
 42/71.02  
 7,526,890 B1 \* 5/2009 Keng ..... F41G 1/18  
 42/111  
 D593,622 S \* 6/2009 Halmone ..... D21/574  
 D593,623 S \* 6/2009 Halmone ..... D21/574  
 D593,629 S \* 6/2009 Bantle ..... D22/104  
 D598,065 S \* 8/2009 Vukovic ..... D22/104  
 D599,430 S \* 9/2009 Siddle ..... D22/108  
 D627,028 S \* 11/2010 Coulombier ..... D22/104  
 D654,978 S \* 2/2012 Karanian ..... D22/104  
 8,127,481 B2 \* 3/2012 Rozum ..... F41A 17/00  
 42/70.01  
 8,132,352 B2 \* 3/2012 Lippard ..... F41A 17/56  
 42/1.06  
 D661,766 S \* 6/2012 Siddle ..... D22/103  
 D671,610 S \* 11/2012 Nebeker ..... D22/104  
 D676,094 S \* 2/2013 Hu ..... D21/574  
 D681,131 S \* 4/2013 Su ..... D21/574  
 8,453,555 B1 \* 6/2013 Karfiol ..... F41A 3/14  
 89/163  
 D687,117 S \* 7/2013 Yigit ..... D22/104  
 D688,764 S \* 8/2013 Yigit ..... D22/104  
 D690,374 S \* 9/2013 Lee ..... D21/574  
 8,528,243 B1 \* 9/2013 Glock ..... F41A 3/66  
 42/75.02  
 D702,308 S \* 4/2014 Glock ..... D22/108  
 D728,722 S \* 5/2015 Peterson ..... D22/108  
 D729,895 S \* 5/2015 Porat ..... D22/108  
 D732,629 S \* 6/2015 Wolf ..... D22/108  
 D742,985 S \* 11/2015 Hudson, III ..... D22/104  
 D744,049 S \* 11/2015 Chu ..... D21/574  
 D754,802 S \* 4/2016 Martelli ..... D21/574  
 D755,324 S \* 5/2016 Martelli ..... D22/104  
 D755,907 S \* 5/2016 Hu ..... D21/574  
 D757,880 S \* 5/2016 Biedenbach ..... D22/108  
 D757,881 S \* 5/2016 Biedenbach ..... D22/108  
 D757,882 S \* 5/2016 Biedenbach ..... D22/108  
 9,328,993 B1 \* 5/2016 Heacock ..... F41G 1/02  
 D758,519 S \* 6/2016 Toner ..... D22/108

2004/0200466 A1 \* 10/2004 Salva ..... F41B 11/56  
 124/74  
 2011/0120437 A1 \* 5/2011 Tippmann, Jr. .... F41B 11/55  
 124/74  
 2012/0198744 A1 \* 8/2012 Meller ..... F41A 3/72  
 42/90  
 2012/0317856 A1 \* 12/2012 Burke ..... F41A 11/02  
 42/16  
 2013/0108991 A1 \* 5/2013 Walls ..... F41A 3/68  
 434/24  
 2014/0338522 A1 \* 11/2014 Bellione ..... F41A 3/12  
 89/139  
 2015/0121734 A1 \* 5/2015 Kresser ..... F41C 3/00  
 42/16  
 2015/0226508 A1 \* 8/2015 Hughes ..... F41A 33/02  
 434/21  
 2016/0047613 A1 \* 2/2016 Hudson, III ..... F41A 3/86  
 42/14

OTHER PUBLICATIONS

ZEV Technologies, Facebook.com, Photo posting date Mar. 6, 2014, [online], [site visited Sep. 14, 2016]. <URL: <https://www.facebook.com/ZEVTechnologies/photos/a.10151357890715471.819166.357736790470/10153858308930471/?type=3&theater>>.\*  
 ZEV Technologies, Facebook.com, Photo posting date Apr. 4, 2014, [online], [site visited Sep. 14, 2016]. <URL: <https://www.facebook.com/ZEVTechnologies/photos/a.10150297513325471.539279.357736790470/10153952516735471/?type=3&theater>>.\*  
 ZEV Technologies Socom Signature Slide, MidwayUSA.com, [online], [site visited Sep. 19, 2016]. <URL: <http://www.midwayusa.com/product/1077710294319/zev-technologies-socom-signature-slide-with-trijicon-rmr-red-dot-sight-cut-glock-17-gen-4-stainless-steel>>.\*  
 ZEV Enhanced SOCOM Slide Kits, Gun News Blog, Monday, Nov. 3, 2014, [online], [site visited Sep. 19, 2016]. <URL: <http://www.gunnewsblog.com/2014/11/zev-enhanced-socom-slide-kits.html>>.\*  
 ZEV Technologies Trilobite Signature Slide with Trijicon RMR Red Dot Sight Cut Glock 17 Gen 3 Stainless Steel, MidwayUSA.com, [online], [site visited Sep. 20, 2016]. <URL: <http://www.midwayusa.com/product/1077710517705/zev-technologies-trilobite-signature-slide-with-trijicon-rmr-red-dot-sight-cut-glock-17-gen-3-stainless-steel>>.\*

\* cited by examiner

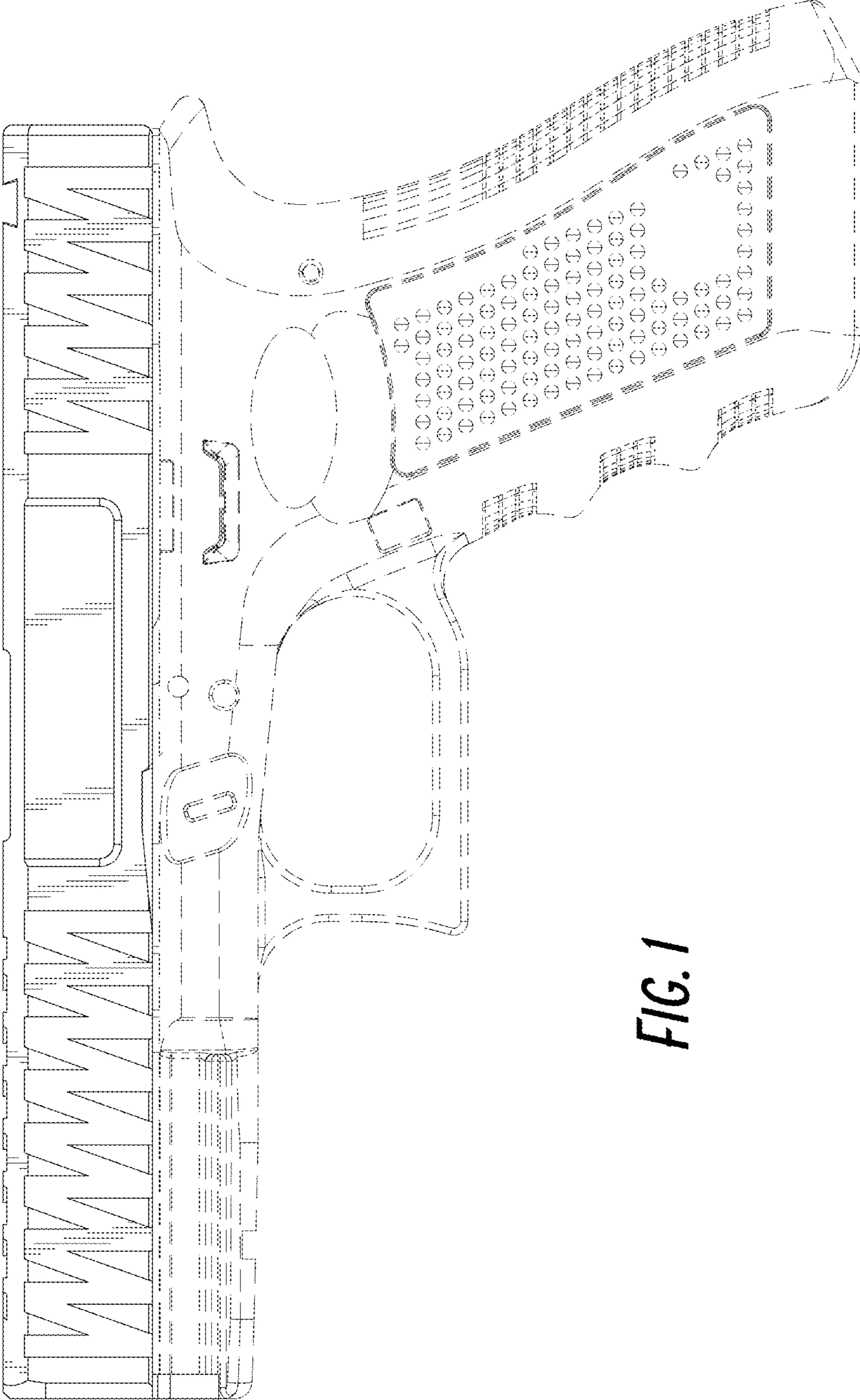


FIG. 1

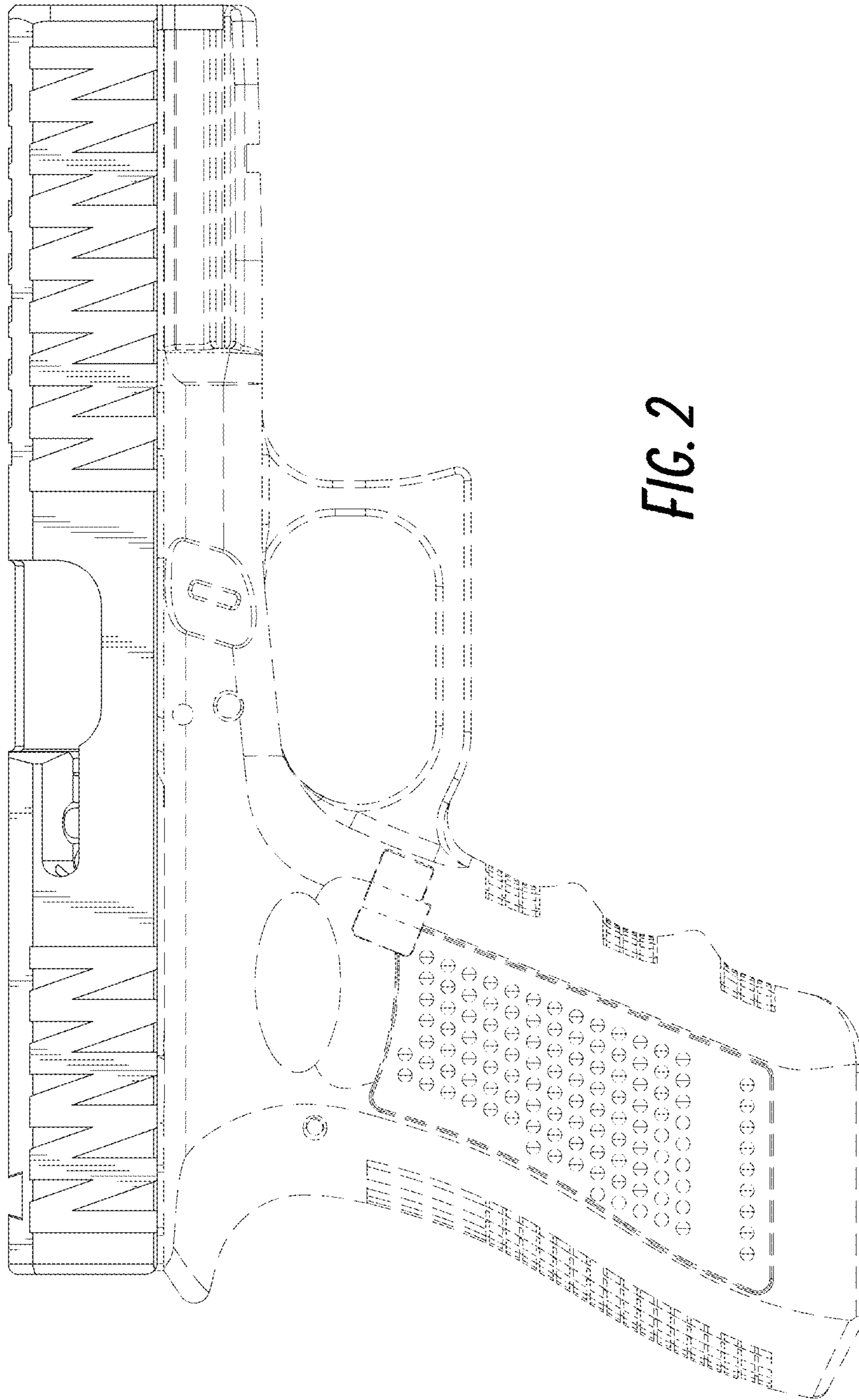
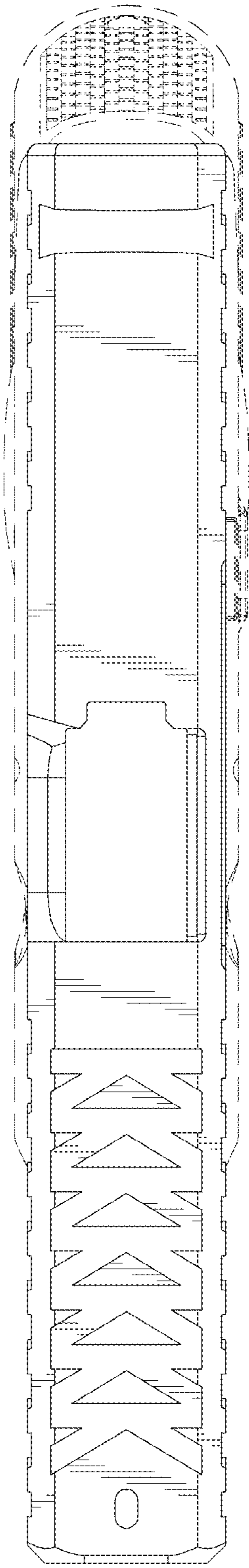
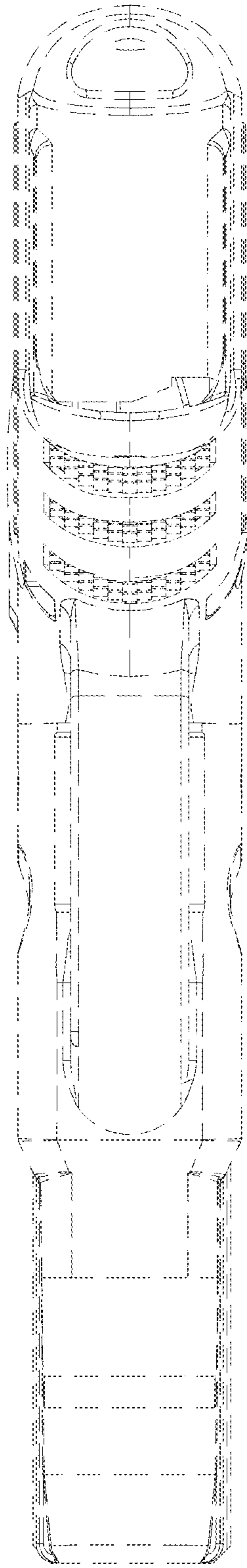


FIG. 2



*FIG. 3*



*FIG. 4*

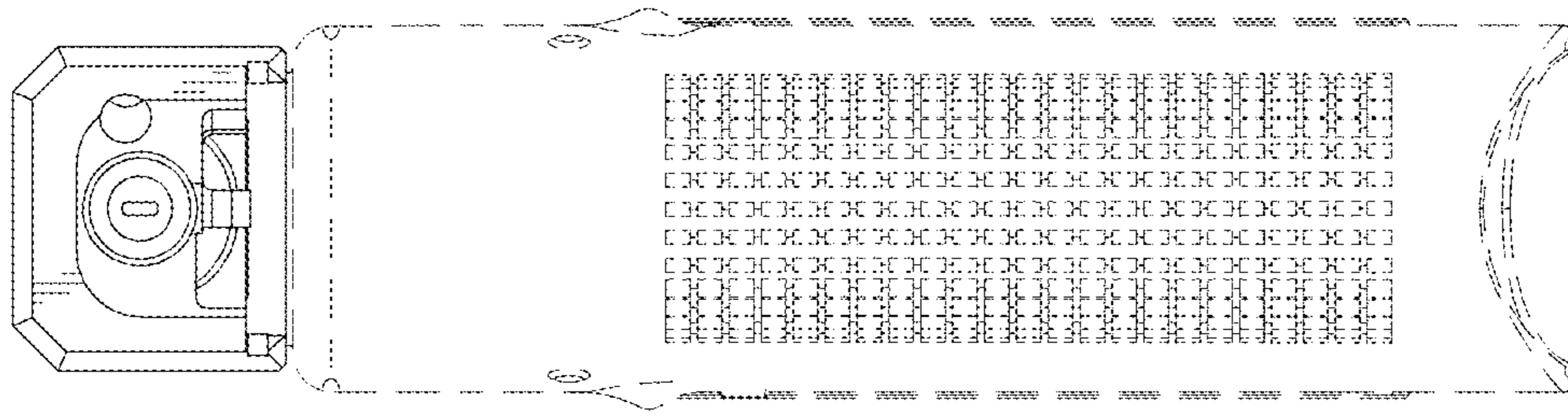


FIG. 6

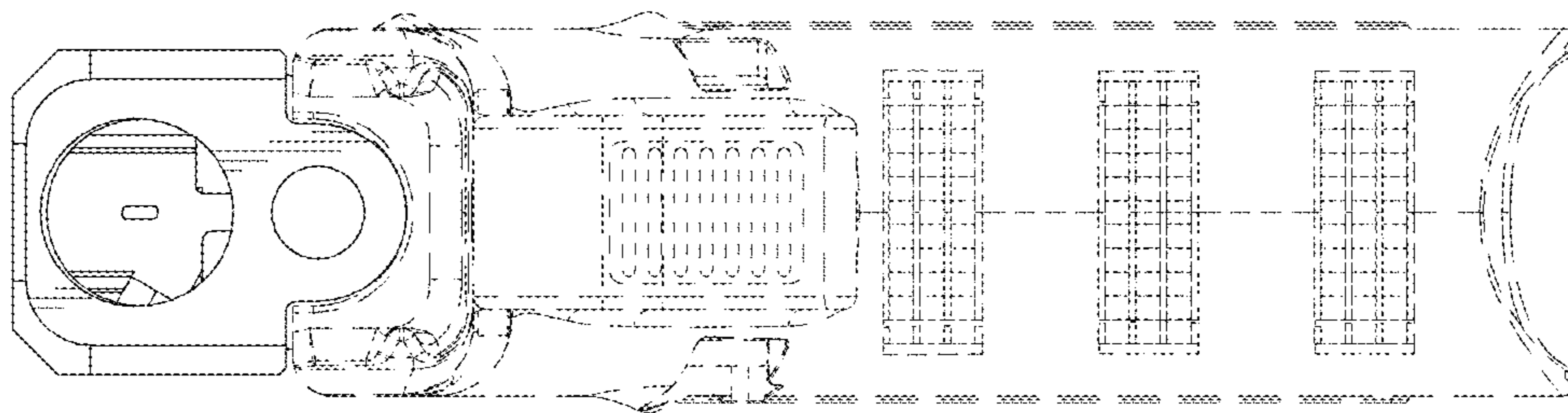


FIG. 5