



US00D777871S

(12) **United States Design Patent**  
**Niswander**

(10) **Patent No.:** **US D777,871 S**  
(45) **Date of Patent:** **\*\* Jan. 31, 2017**

(54) **FIREARM SLIDE**

(71) Applicant: **Agency Arms, LLC**, Camarillo, CA (US)

(72) Inventor: **Randy Paul Niswander**, Oxnard, CA (US)

(73) Assignee: **AGENCY ARMS, LLC**, Camarillo, CA (US)

(\*\*) Term: **15 Years**

(21) Appl. No.: **29/549,528**

(22) Filed: **Dec. 22, 2015**

(51) **LOC (10) Cl.** ..... **22-01**

(52) **U.S. Cl.**  
USPC ..... **D22/108**

(58) **Field of Classification Search**  
USPC ..... D22/108, 104; D21/571-575  
(Continued)

(56) **References Cited**

**U.S. PATENT DOCUMENTS**

D292,112 S \* 9/1987 Ruger ..... D22/104  
D359,098 S \* 6/1995 Stevens ..... D22/104  
(Continued)

**FOREIGN PATENT DOCUMENTS**

EP 1717539 \* 11/2006  
WO WO0216855 \* 2/2002 ..... F41A 19/70

**OTHER PUBLICATIONS**

The Agency Slide, Agency Arms website, [online], [site visited Sep. 14, 2016]. <URL: <http://www.agencyarms.com/the-agency-slide>>.\*

(Continued)

*Primary Examiner* — T. Chase Nelson

*Assistant Examiner* — Jonathan J Han

(74) *Attorney, Agent, or Firm* — Sutherland Asbill & Brennan LLP

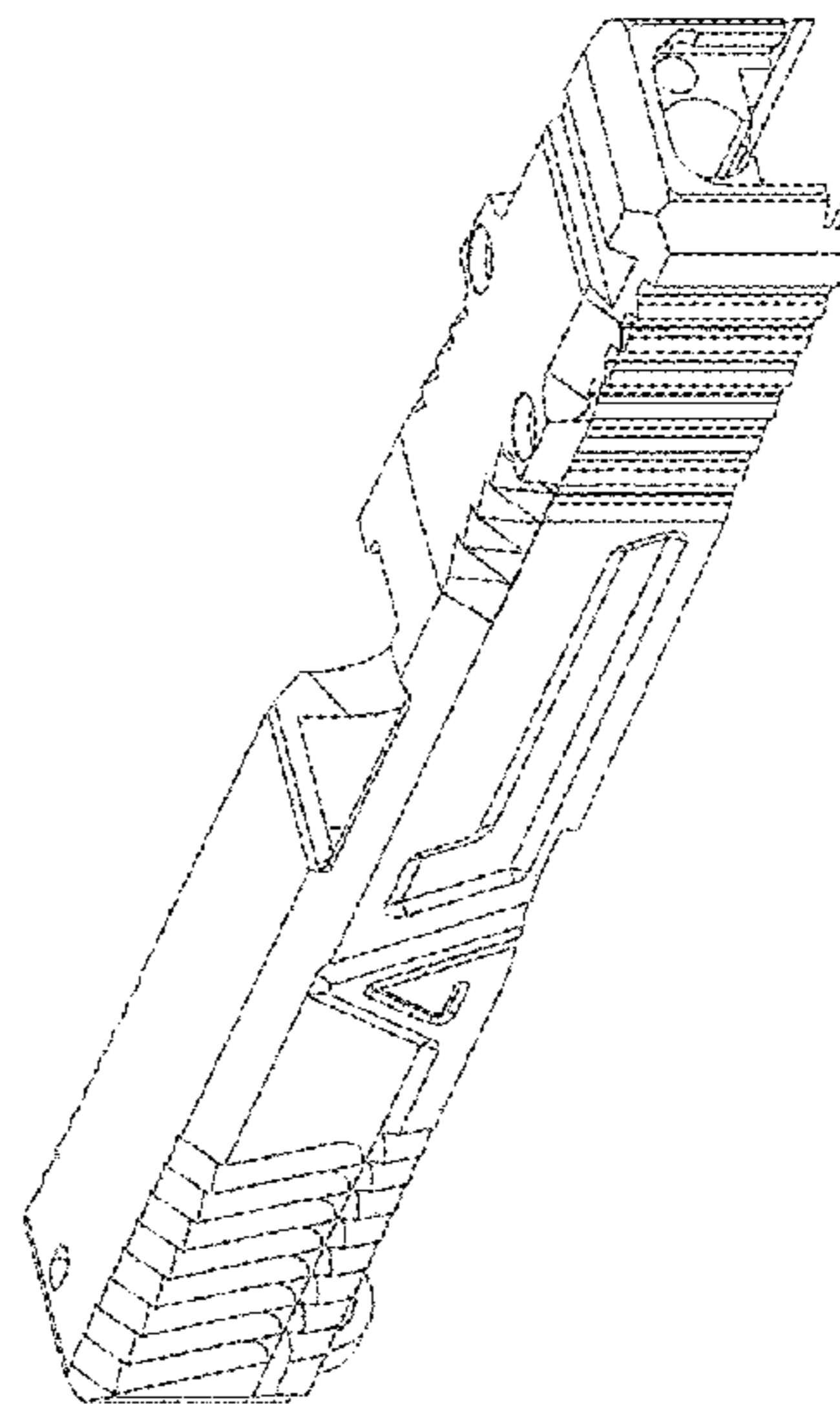
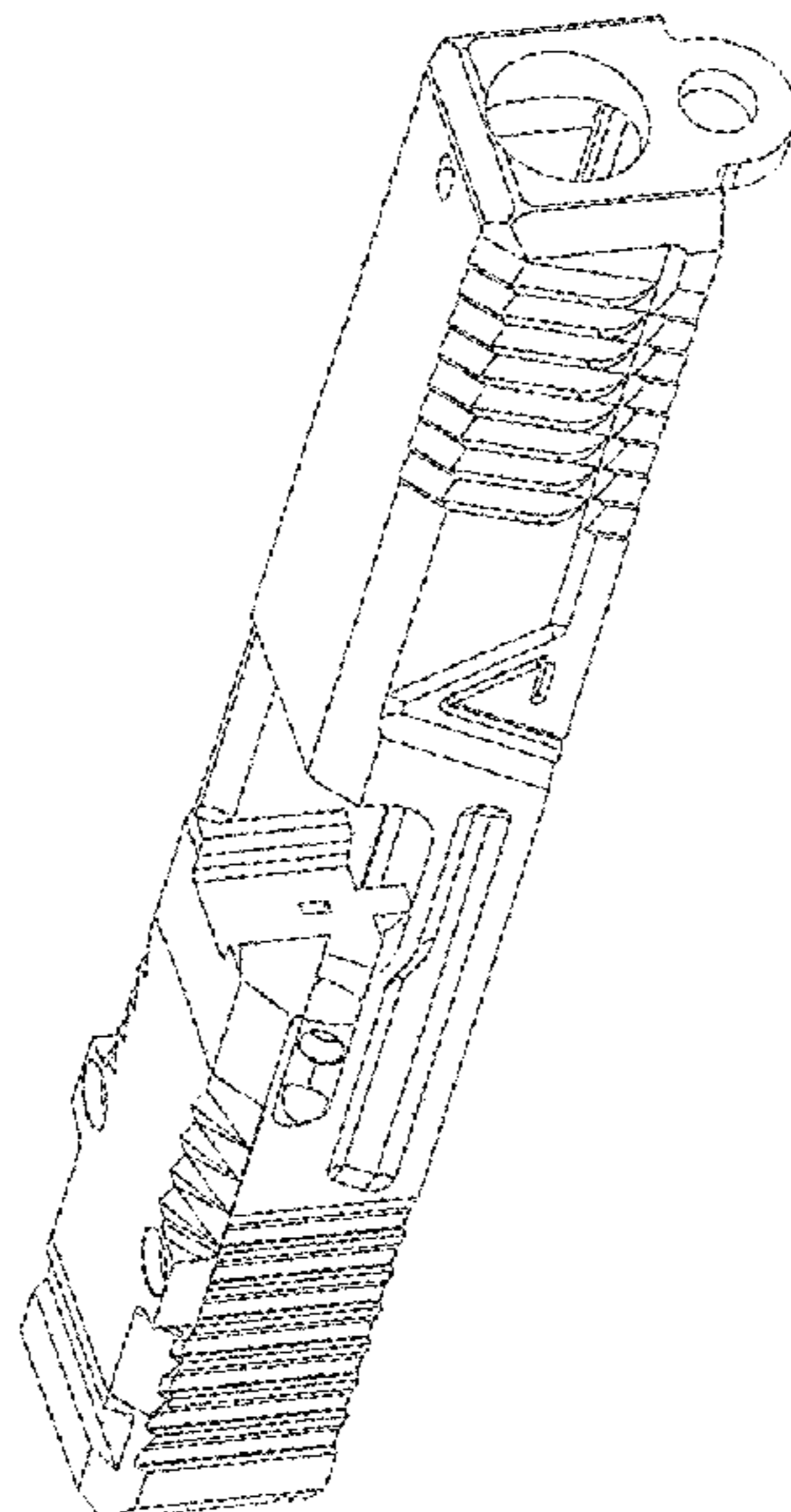
(57) **CLAIM**

The ornamental design for a firearm slide, as shown and described.

**DESCRIPTION**

FIG. 1 is a perspective view of a first embodiment of a firearm slide according to an embodiment of the disclosure; FIG. 2 is a perspective view thereof; FIG. 3 is a perspective view thereof; FIG. 4 is a perspective view thereof; FIG. 5 is a perspective view thereof; FIG. 6 is a perspective view thereof; FIG. 7 is a side view thereof; FIG. 8 is a side view thereof; FIG. 9 is a top view thereof; FIG. 10 is a bottom view thereof; FIG. 11 is a front view thereof; FIG. 12 is a rear view thereof; FIG. 13 is a perspective view of a second embodiment of a firearm slide according to an embodiment of the disclosure; FIG. 14 is a perspective view thereof; FIG. 15 is a perspective view thereof; FIG. 16 is a perspective view thereof; FIG. 17 is a perspective view thereof; FIG. 18 is a perspective view thereof; FIG. 19 is a side view thereof; FIG. 20 is a side view thereof; FIG. 21 is a top view thereof; FIG. 22 is a bottom view thereof; FIG. 23 is a front view thereof; and, FIG. 24 is a rear view thereof.

**1 Claim, 24 Drawing Sheets**



(58) **Field of Classification Search**  
 CPC ..... F41C 3/14; F41C 3/16  
 See application file for complete search history.

(56) **References Cited**

U.S. PATENT DOCUMENTS

D376,831 S \* 12/1996 Resuggan ..... D22/100  
 D387,841 S \* 12/1997 Hochstrate ..... D22/100  
 D387,842 S \* 12/1997 Kaminski ..... D22/100  
 5,717,156 A \* 2/1998 Lenkarski ..... F41C 3/00  
 42/15  
 5,753,848 A \* 5/1998 Kart ..... F41A 5/04  
 89/16  
 D503,208 S \* 3/2005 Krieger ..... D22/104  
 6,964,123 B2 \* 11/2005 Vicale ..... F41C 3/00  
 42/106  
 6,993,864 B1 \* 2/2006 O'Clair ..... F41A 5/04  
 42/71.02  
 D518,056 S \* 3/2006 Ma ..... D14/403  
 D559,337 S \* 1/2008 Wang ..... D21/574  
 D583,896 S \* 12/2008 McGarry ..... D22/104  
 D584,374 S \* 1/2009 McGarry ..... D22/104  
 7,506,469 B2 \* 3/2009 Poulin ..... F41A 11/02  
 42/71.02  
 7,526,890 B1 \* 5/2009 Keng ..... F41G 1/18  
 42/111  
 D593,622 S \* 6/2009 Halmone ..... D21/574  
 D593,623 S \* 6/2009 Halmone ..... D21/574  
 D593,629 S \* 6/2009 Bantle ..... D22/104  
 D598,065 S \* 8/2009 Vukovic ..... D22/104  
 D599,430 S \* 9/2009 Siddle ..... D22/108  
 D627,028 S \* 11/2010 Coulombier ..... D22/104  
 D654,978 S \* 2/2012 Karanian ..... D22/104  
 8,127,481 B2 \* 3/2012 Rozum ..... F41A 17/00  
 42/70.01  
 8,132,352 B2 \* 3/2012 Lippard ..... F41A 17/56  
 42/1.06  
 D661,766 S \* 6/2012 Siddle ..... D22/103  
 D671,610 S \* 11/2012 Nebeker ..... D22/104  
 D676,094 S \* 2/2013 Hu ..... D21/574  
 D681,131 S \* 4/2013 Su ..... D21/574  
 8,453,555 B1 \* 6/2013 Karfiol ..... F41A 3/14  
 89/163  
 D687,117 S \* 7/2013 Yigit ..... D22/104

D688,764 S \* 8/2013 Yigit ..... D22/104  
 D690,374 S \* 9/2013 Lee ..... D21/574  
 8,528,243 B1 \* 9/2013 Glock ..... F41A 3/66  
 42/75.02  
 D702,308 S \* 4/2014 Glock ..... D22/108  
 D728,722 S \* 5/2015 Peterson ..... D22/108  
 D729,895 S \* 5/2015 Porat ..... D22/108  
 D732,629 S \* 6/2015 Wolf ..... D22/108  
 D742,985 S \* 11/2015 Hudson, III ..... D22/104  
 D744,049 S \* 11/2015 Chu ..... D21/574  
 D754,802 S \* 4/2016 Martelli ..... D21/574  
 D755,324 S \* 5/2016 Martelli ..... D22/104  
 D755,907 S \* 5/2016 Hu ..... D21/574  
 9,328,993 B1 \* 5/2016 Heacock ..... F41G 1/02  
 D758,519 S \* 6/2016 Toner ..... D22/108  
 2004/0200466 A1 \* 10/2004 Salva ..... F41B 11/56  
 124/74  
 2011/0120437 A1 \* 5/2011 Tippmann, Jr. .... F41B 11/55  
 124/74  
 2012/0198744 A1 \* 8/2012 Meller ..... F41A 3/72  
 42/90  
 2012/0317856 A1 \* 12/2012 Burke ..... F41A 11/02  
 42/16  
 2013/0108991 A1 \* 5/2013 Walls ..... F41A 3/68  
 434/24  
 2014/0338522 A1 \* 11/2014 Bellione ..... F41A 3/12  
 89/139  
 2015/0121734 A1 \* 5/2015 Kresser ..... F41C 3/00  
 42/16  
 2015/0226508 A1 \* 8/2015 Hughes ..... F41A 33/02  
 434/21  
 2016/0047613 A1 \* 2/2016 Hudson, III ..... F41A 3/86  
 42/14

OTHER PUBLICATIONS

Agency Arms Slide Options, Youtube.com, Published Feb. 19, 2015, [online], [site visted Sep. 14, 2016]. <URL: <https://www.youtube.com/watch?v=dReYprHjg2s>>.\*  
 Gun Review: Walther PPQ M2, The Truth About Guns.com, Joe Grine, Jul. 17, 2014, [online], [site visited Sep. 14, 2016]. <URL: <http://www.thetruthaboutguns.com/2014/07/joe-grine/walther-ppq-m2-5-inch-slide/>>.\*

\* cited by examiner

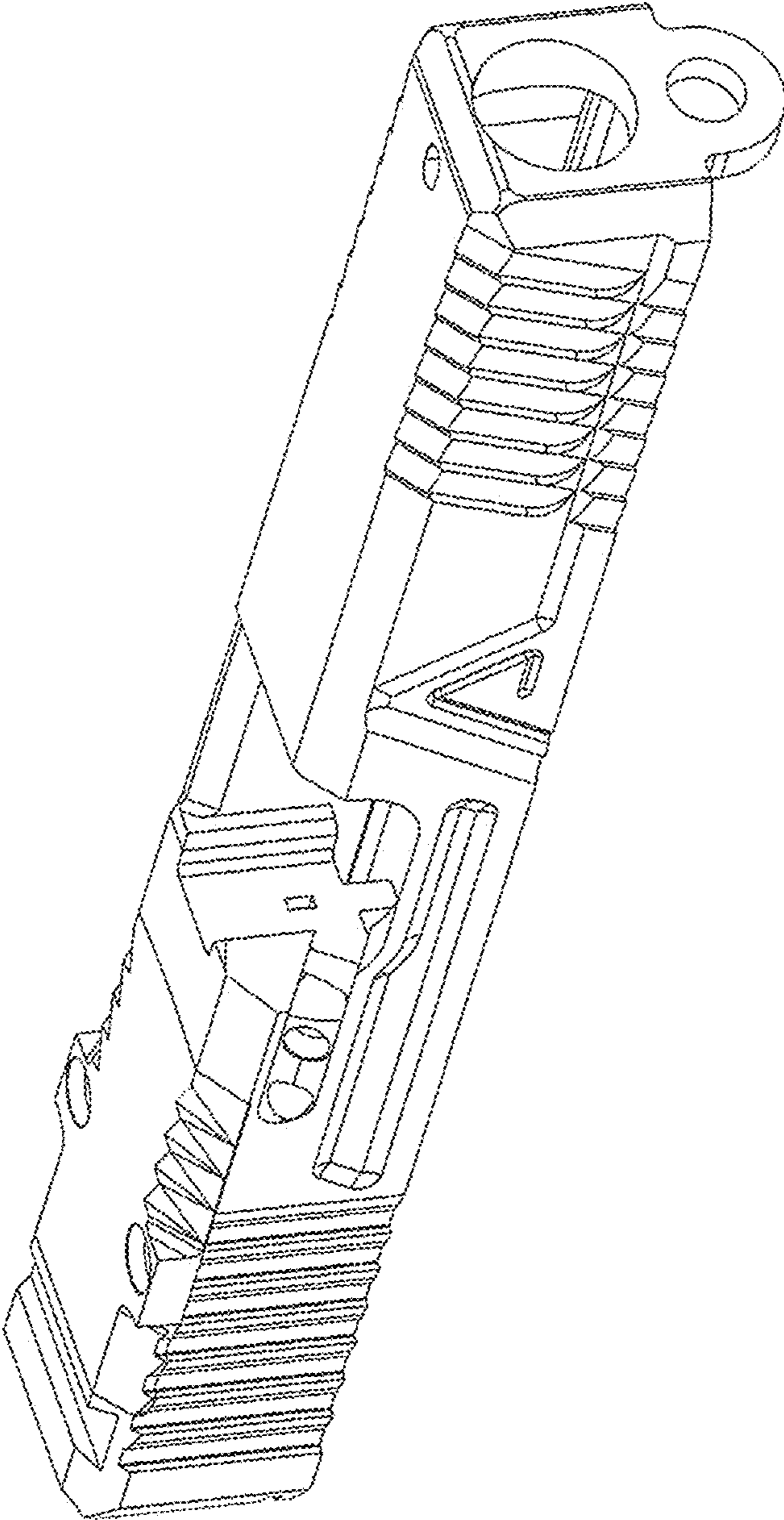


FIG. 1

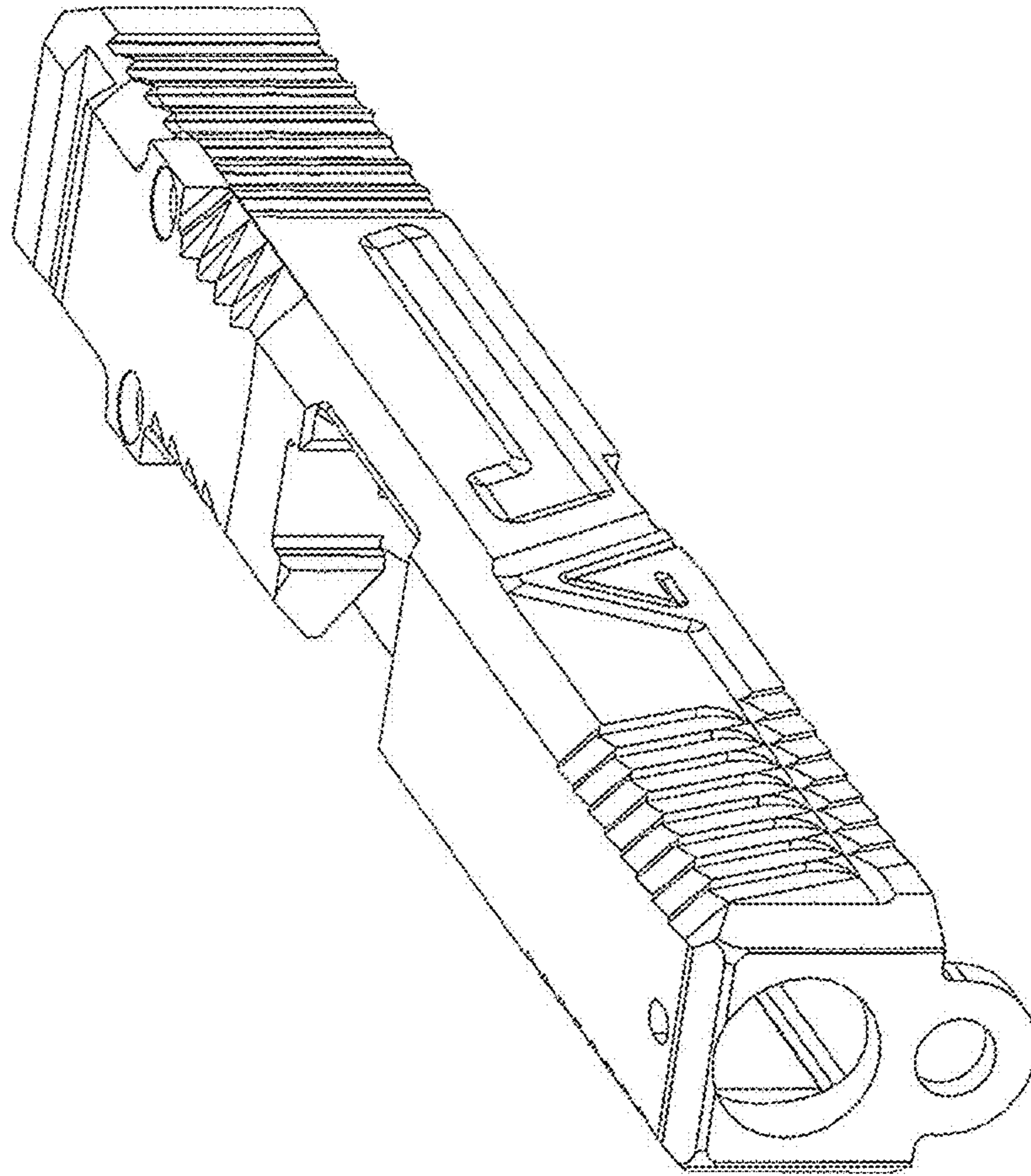


FIG. 2

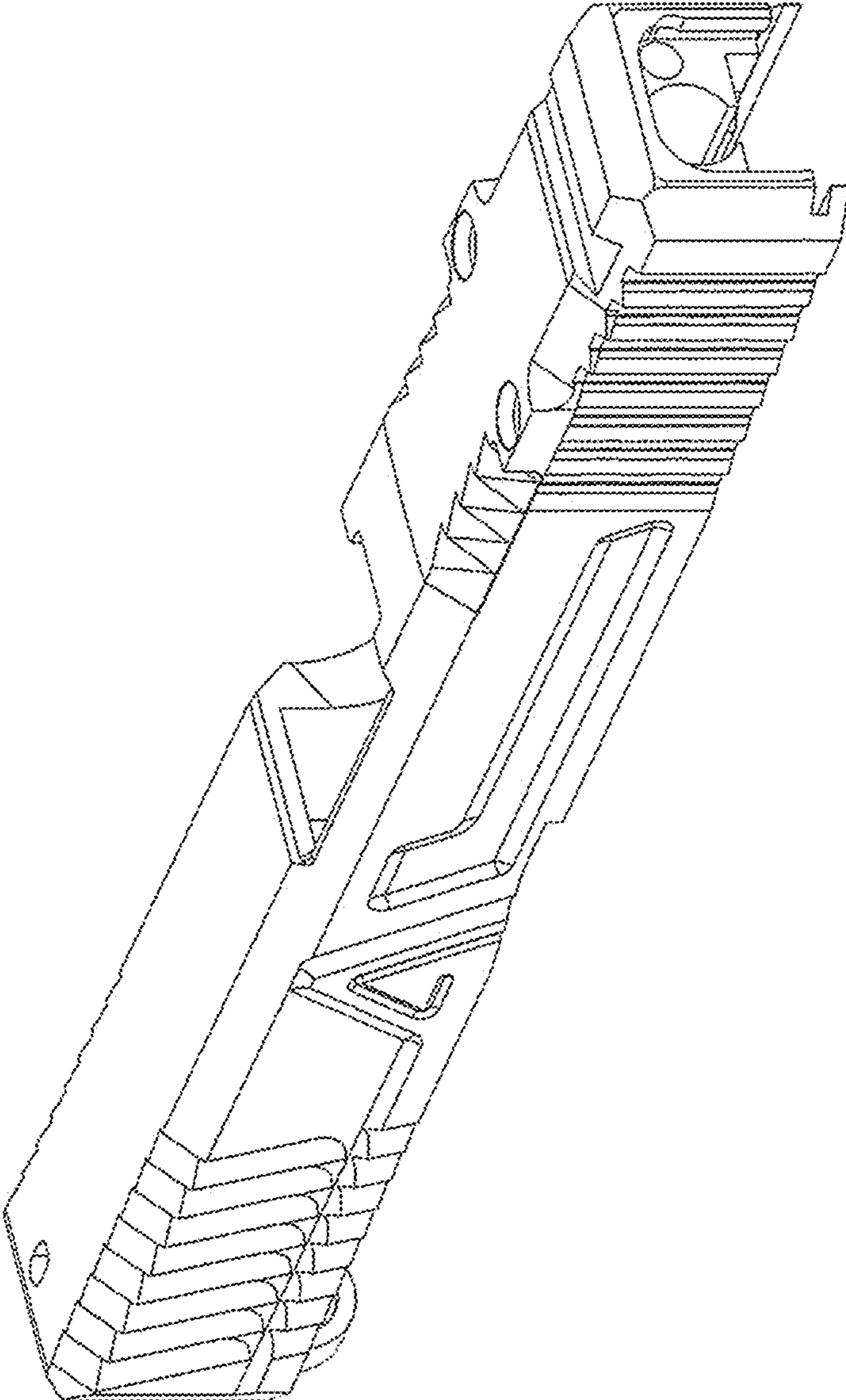


FIG. 3

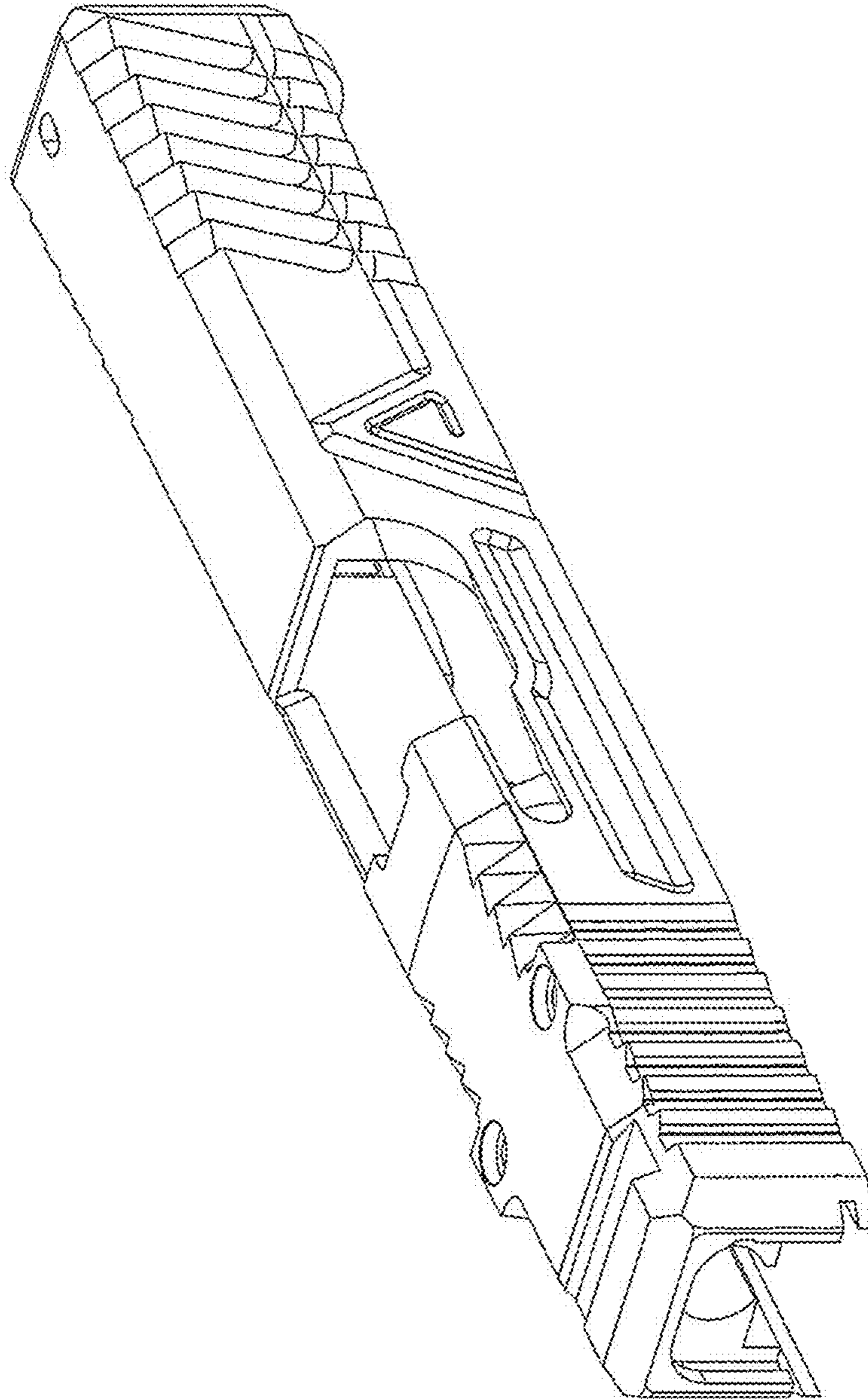


FIG. 4

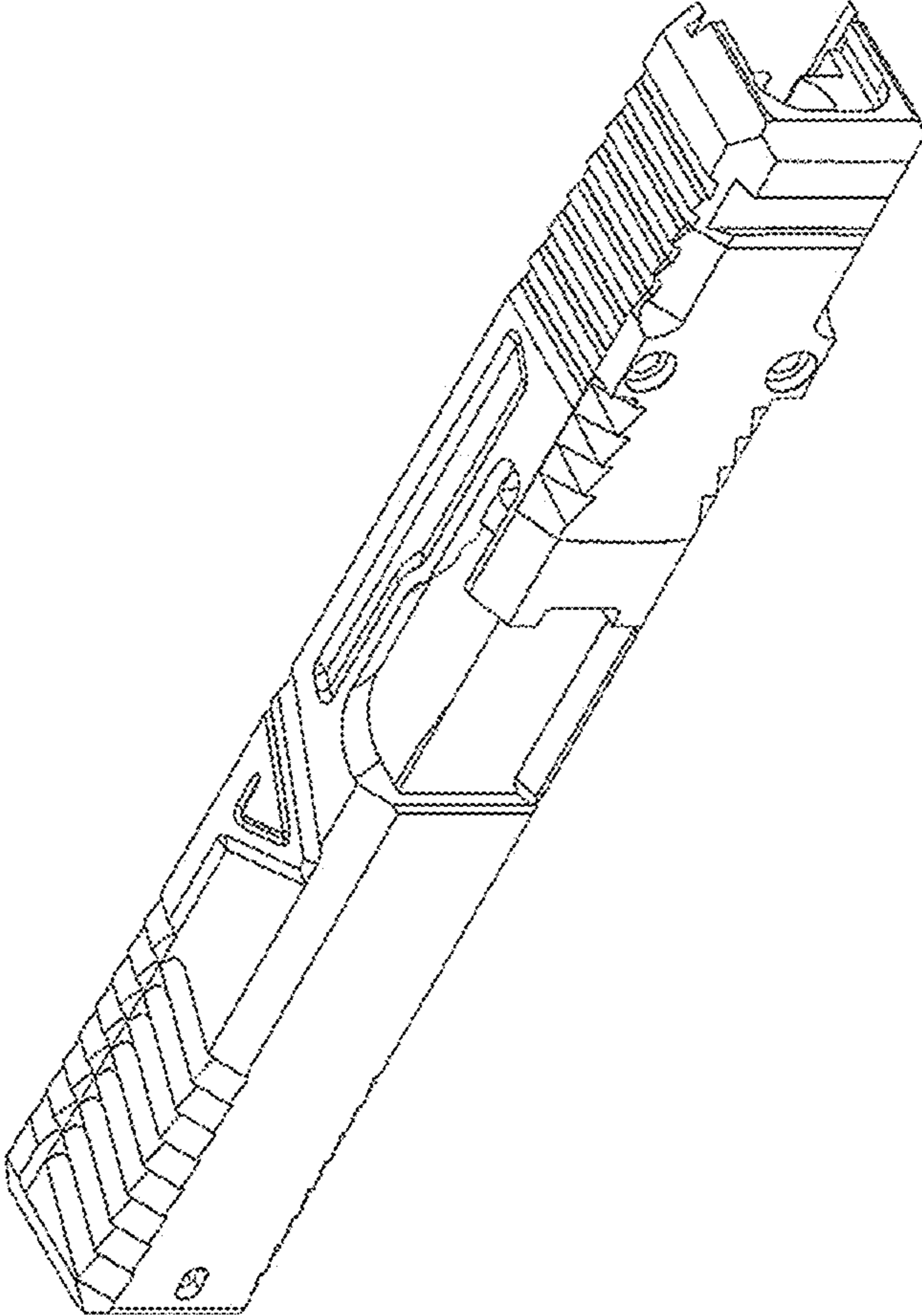


FIG. 5

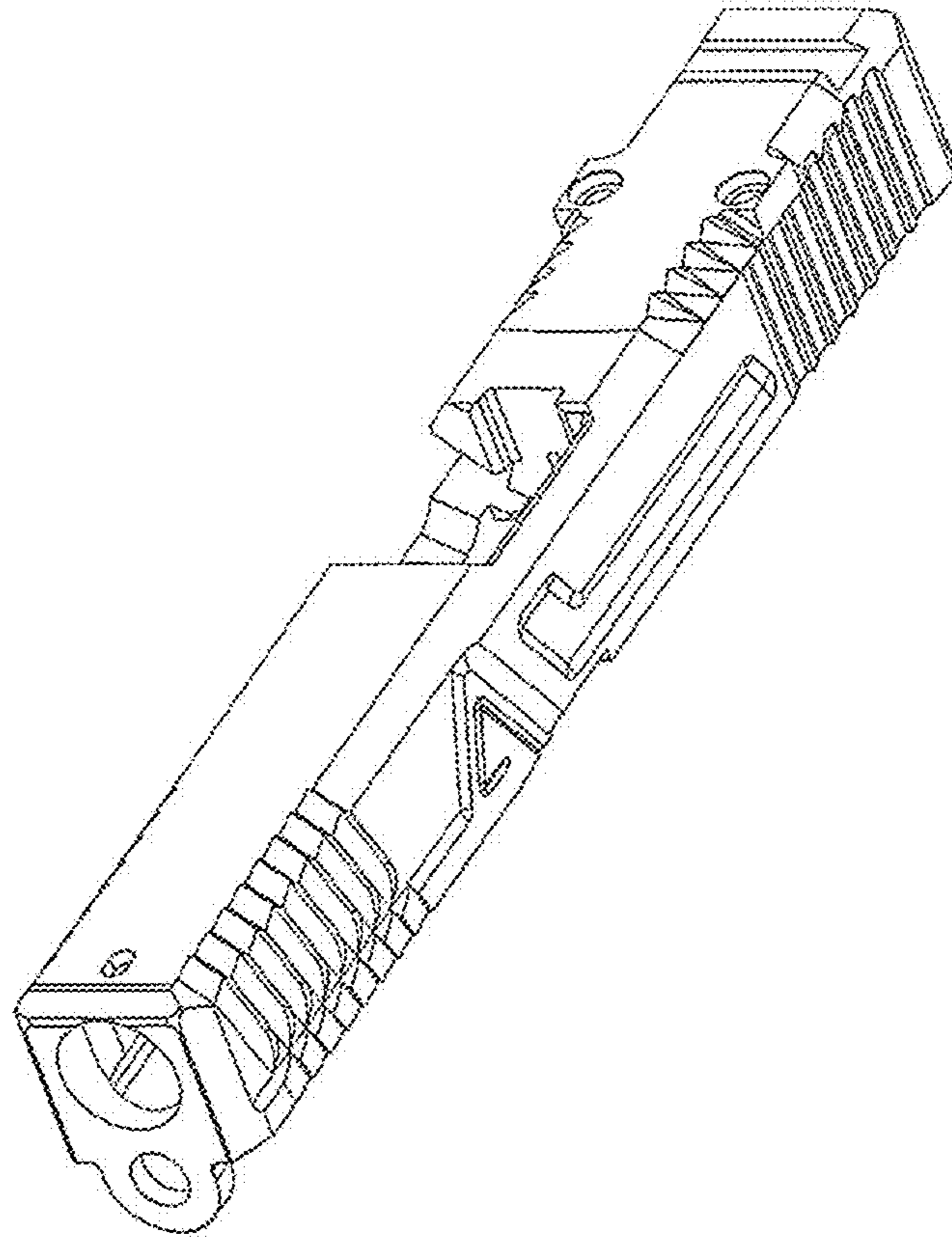


FIG. 6



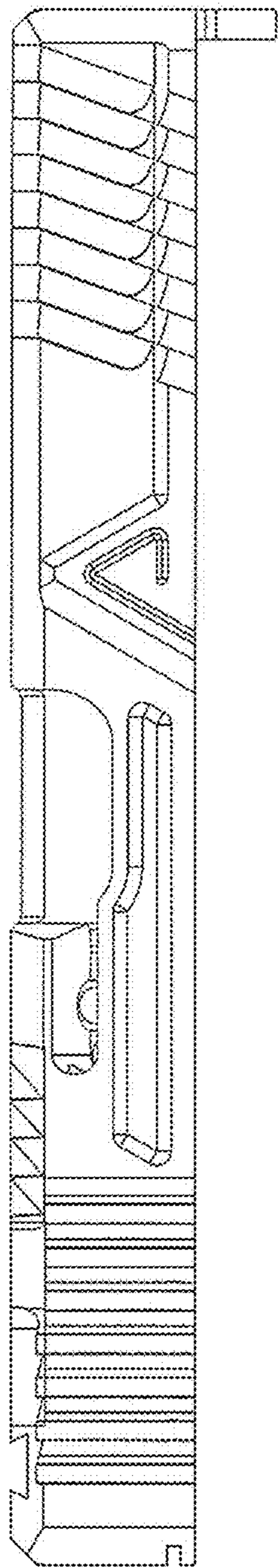


FIG. 7

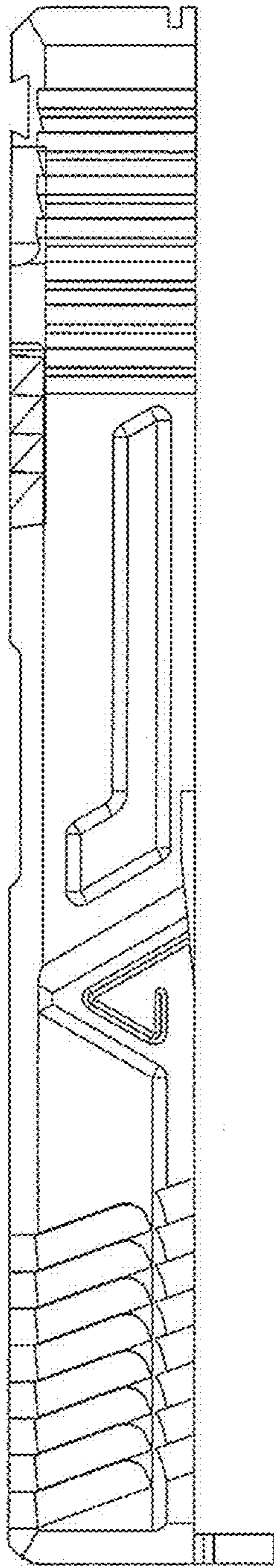


FIG. 8

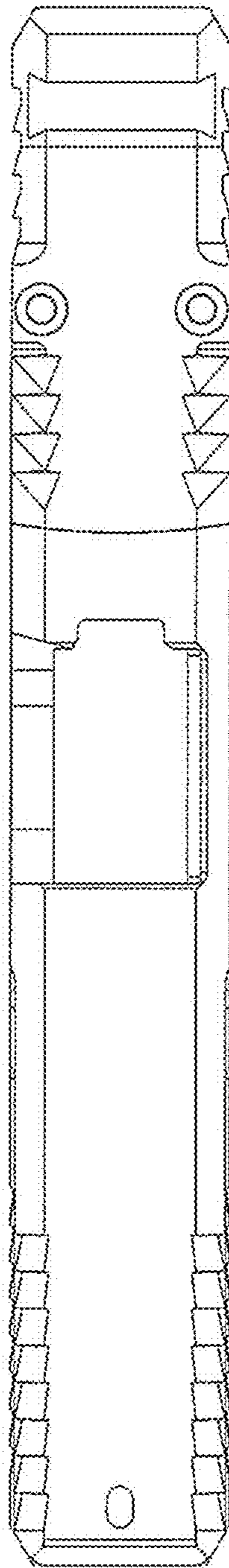


FIG. 9

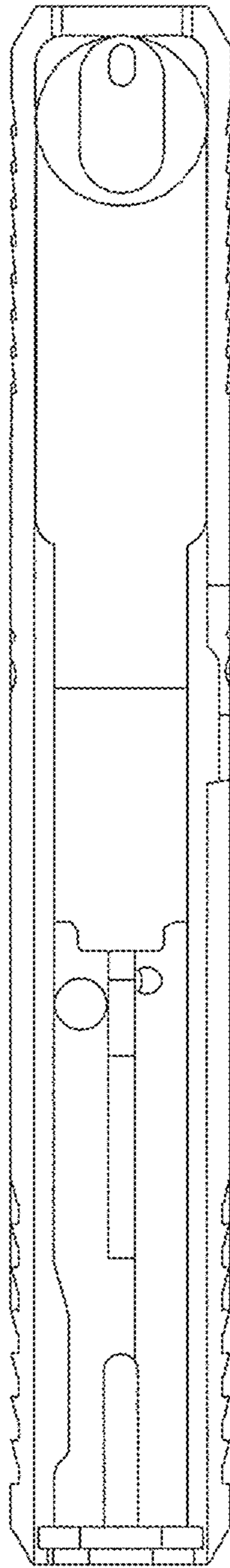


FIG. 10

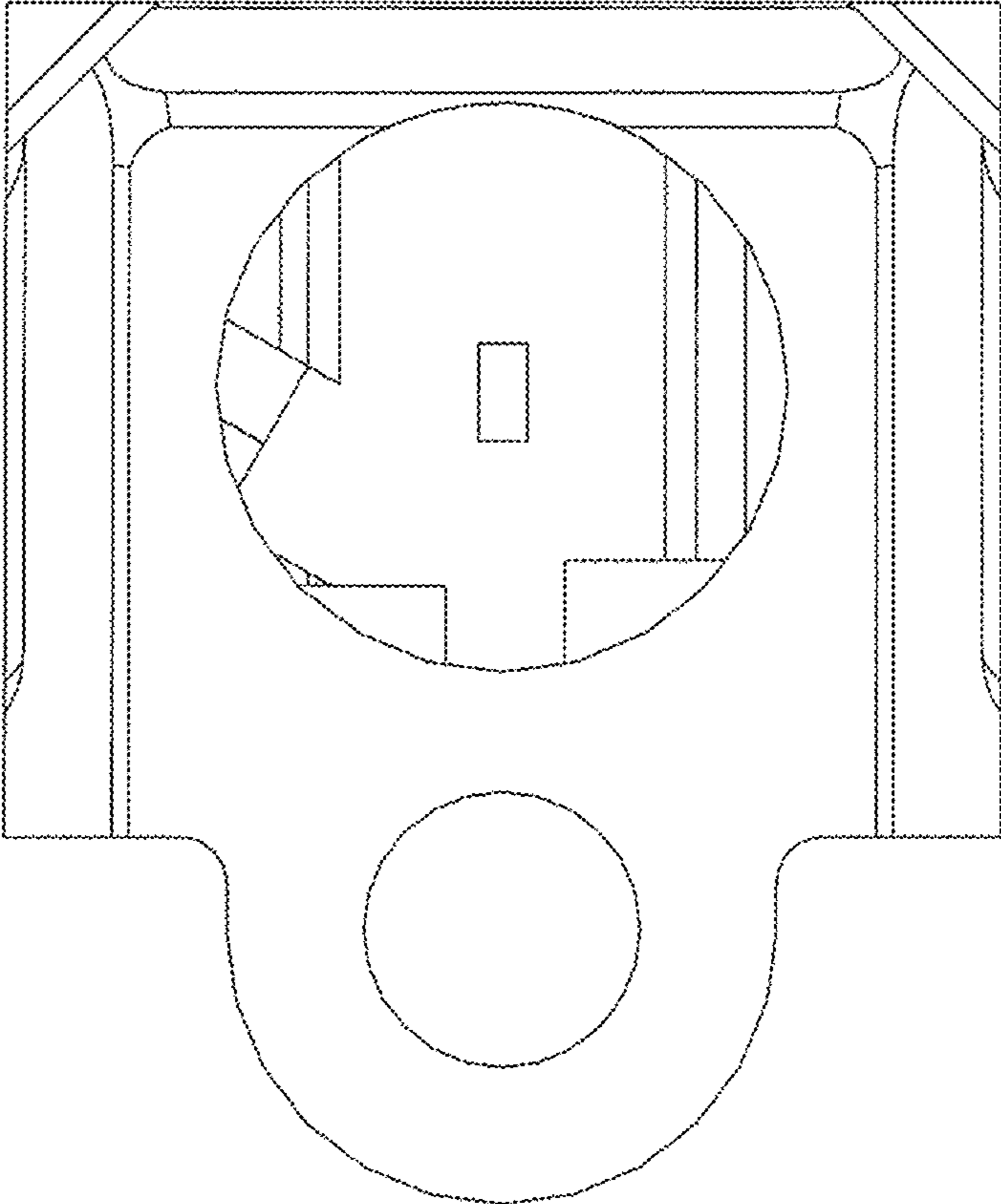


FIG. 11

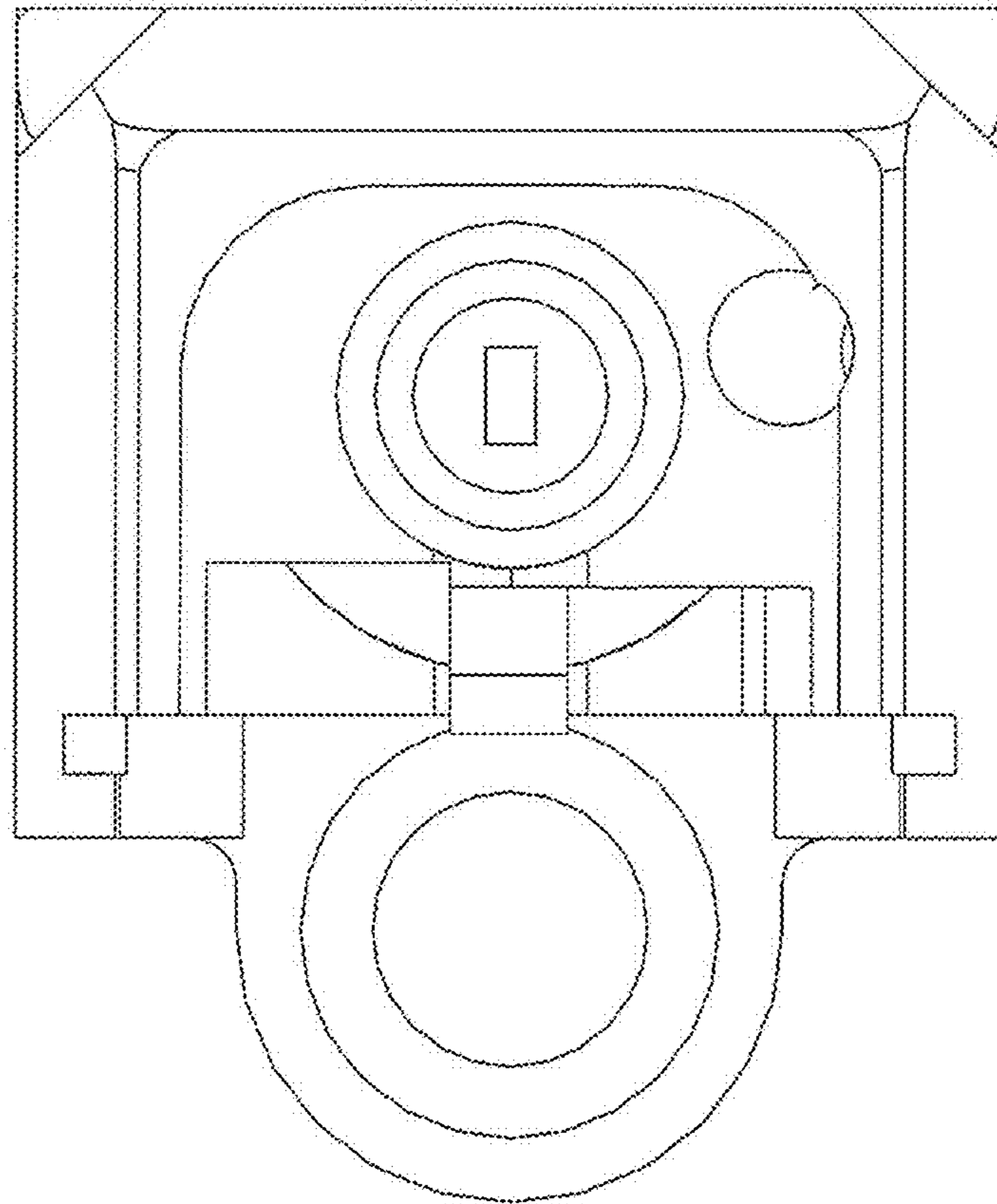


FIG. 12

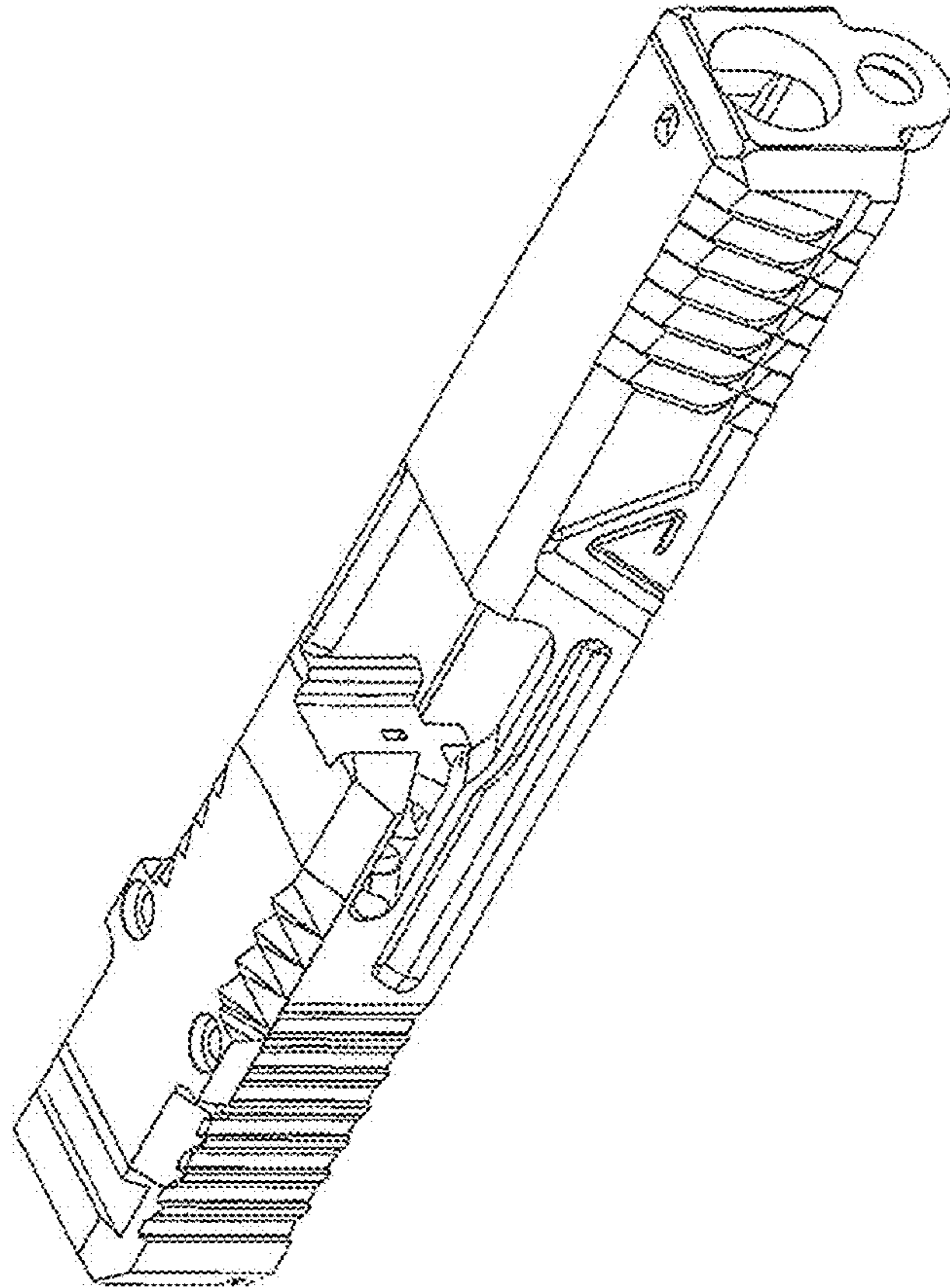


FIG. 13

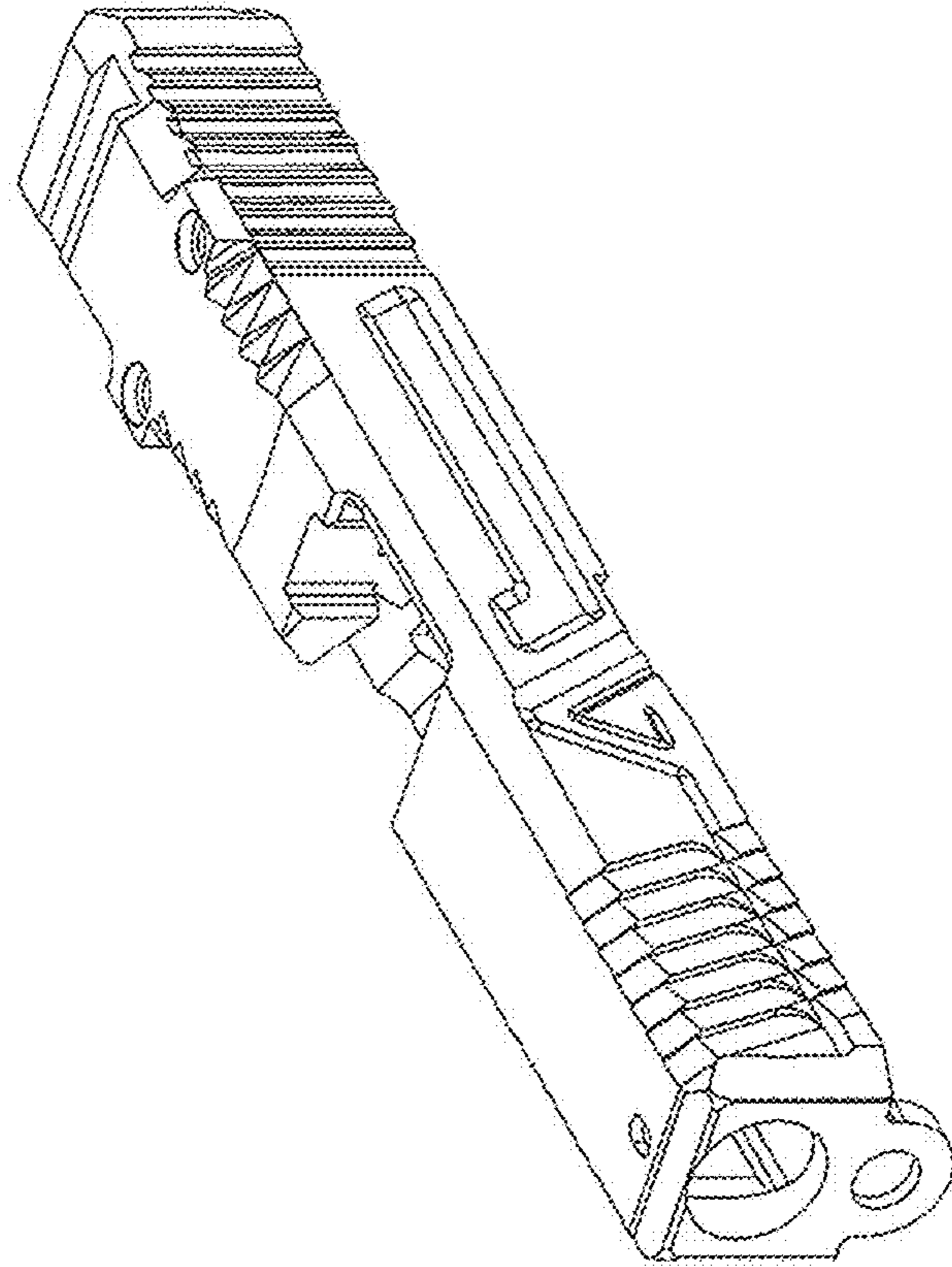


FIG. 14



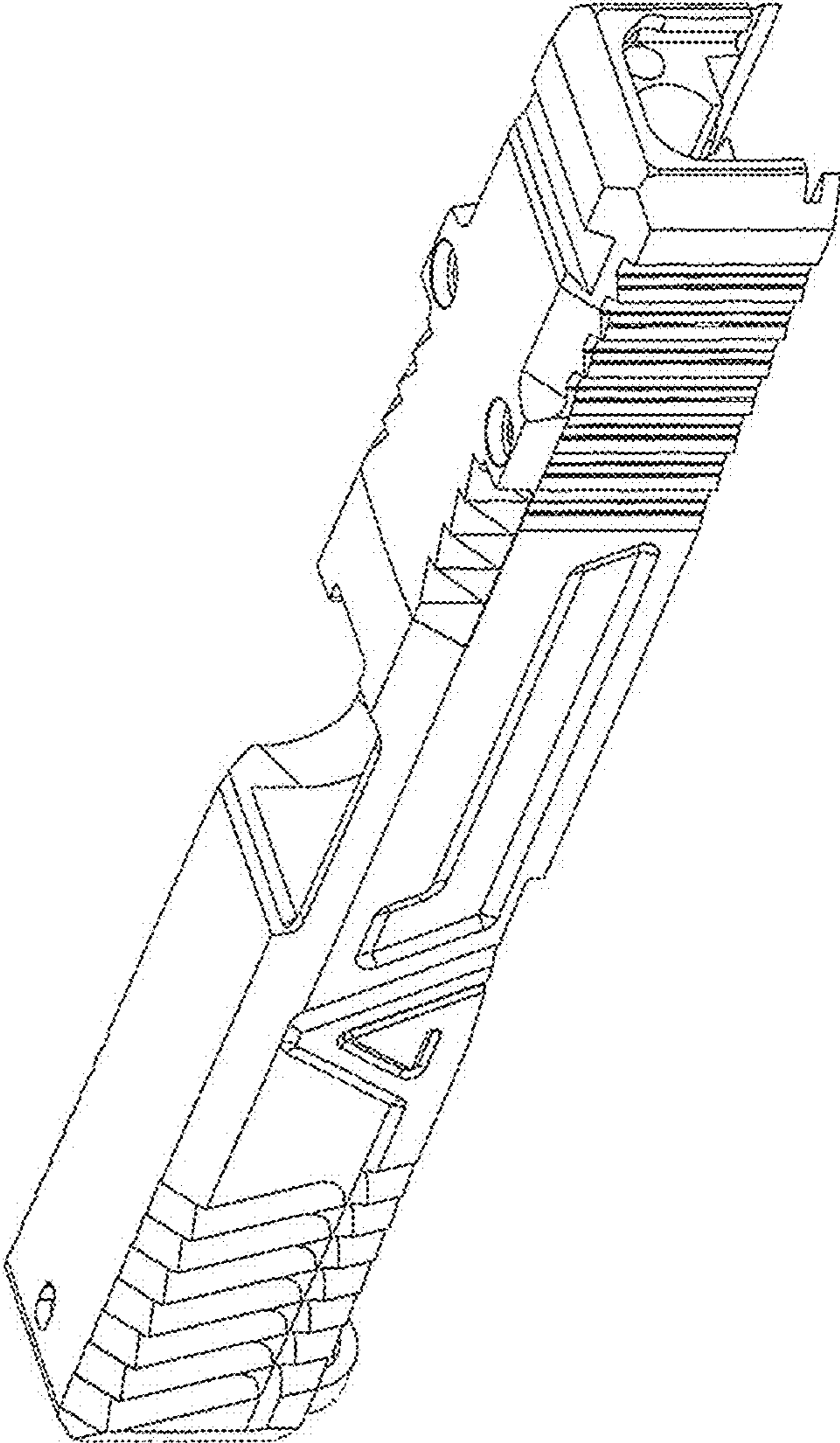


FIG. 15

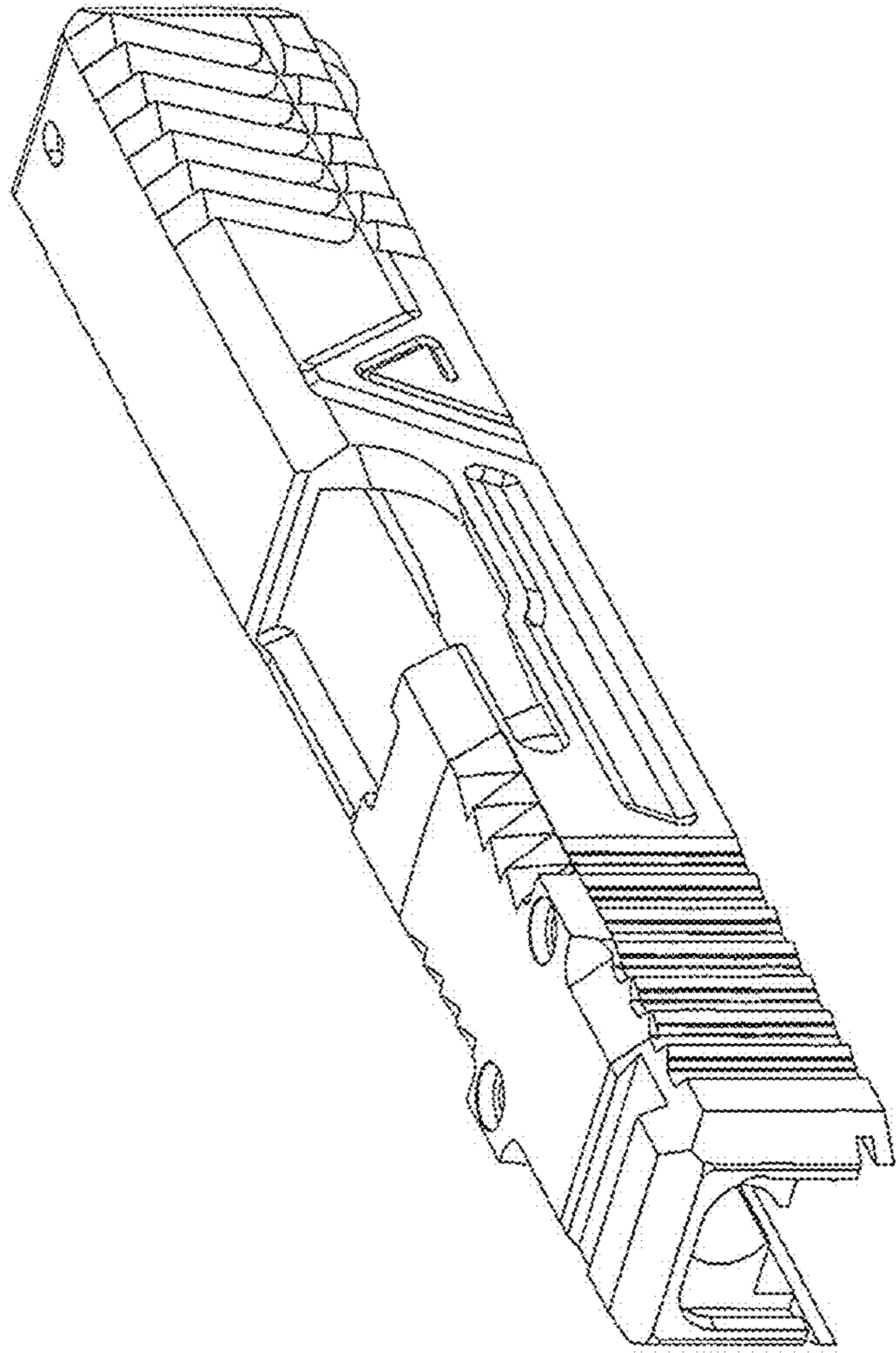


FIG. 16

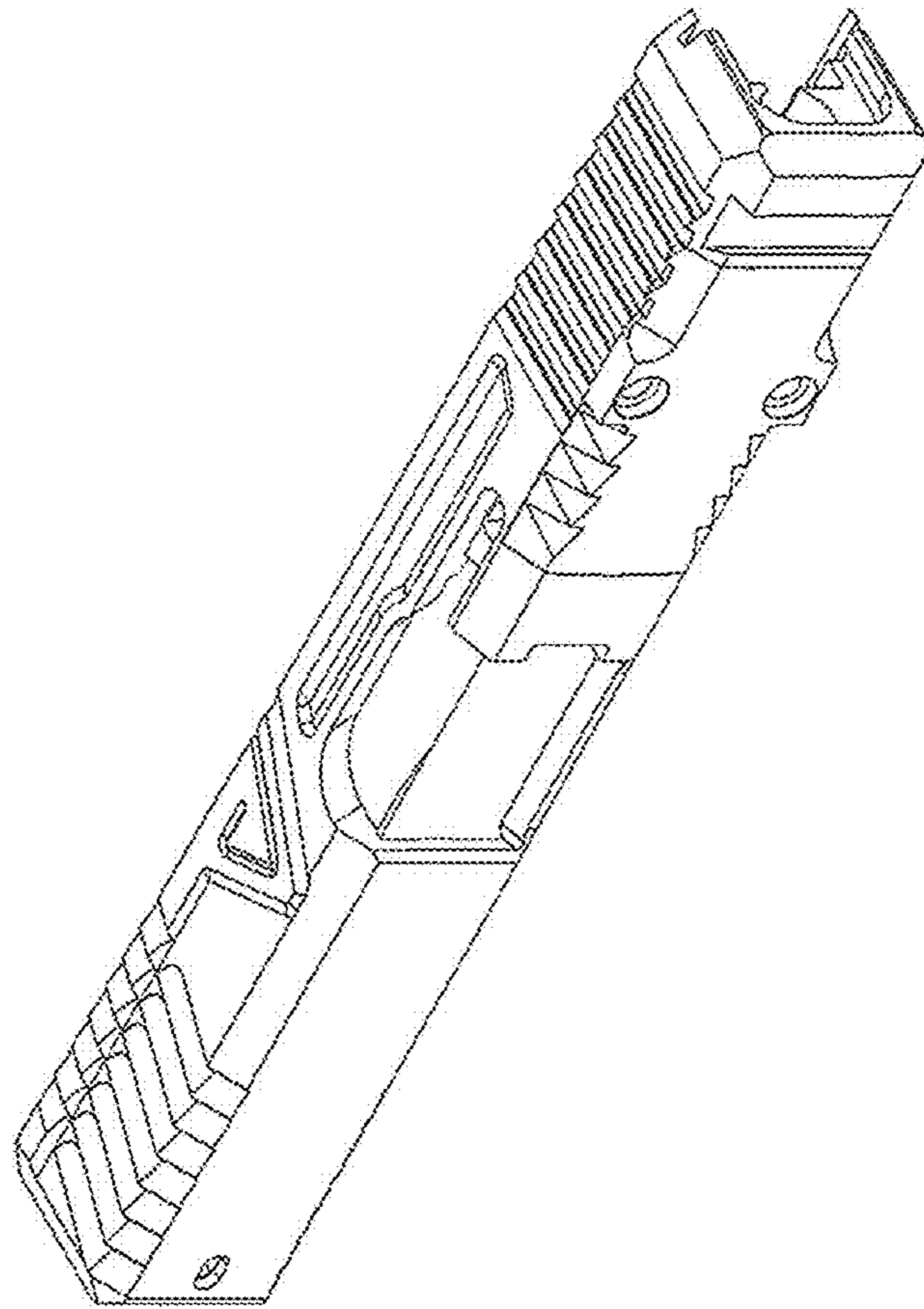


FIG. 17

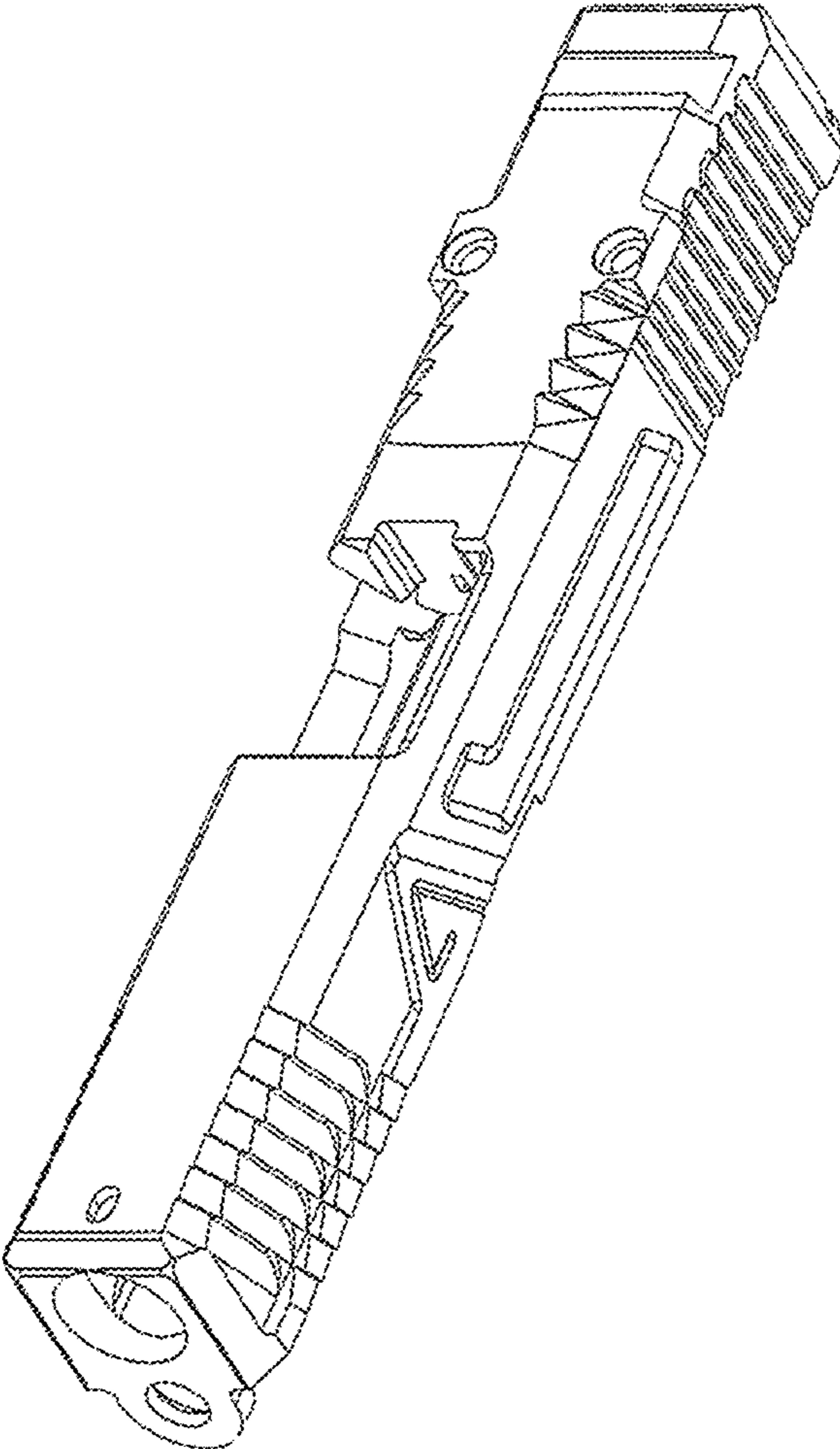


FIG. 18

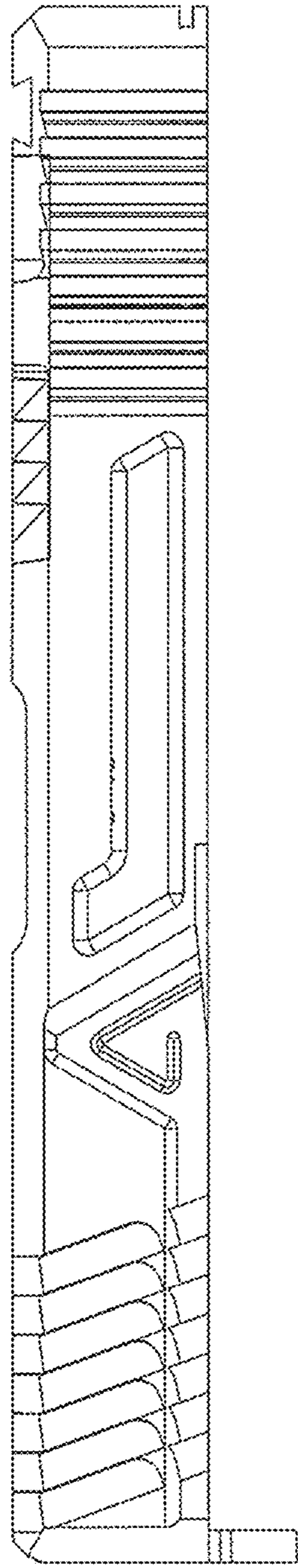


FIG. 19

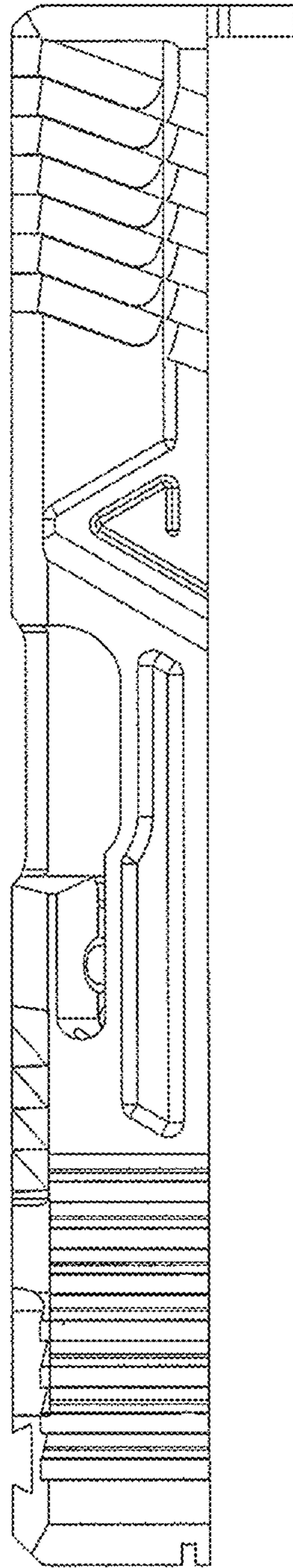


FIG. 20

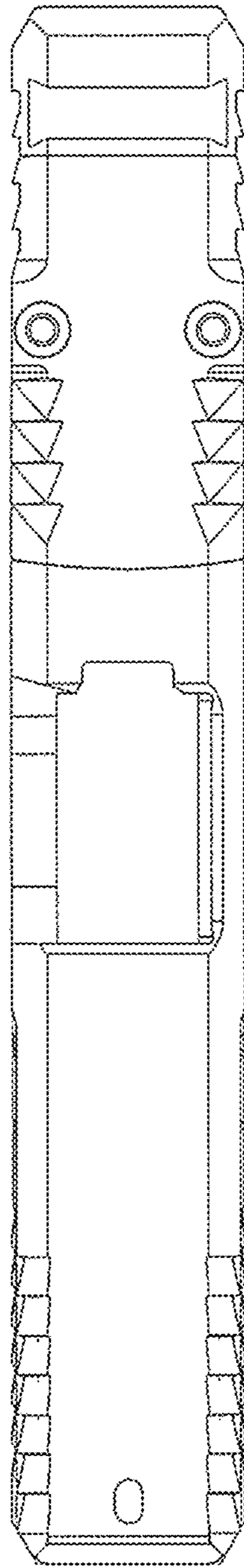


FIG. 21

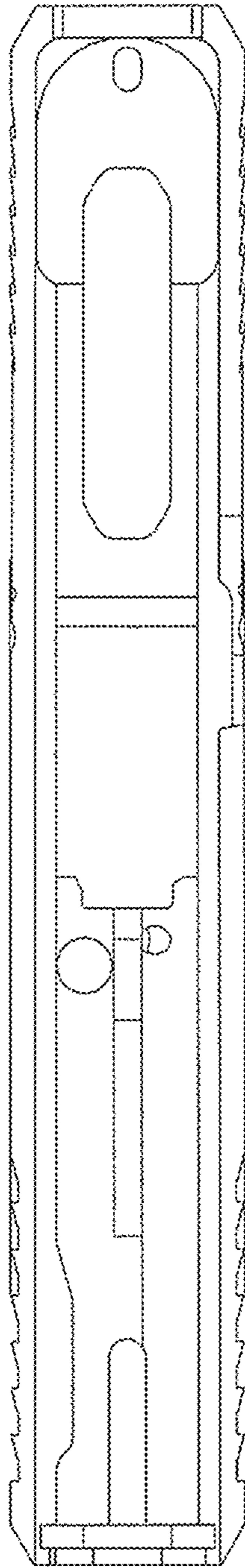


FIG. 22



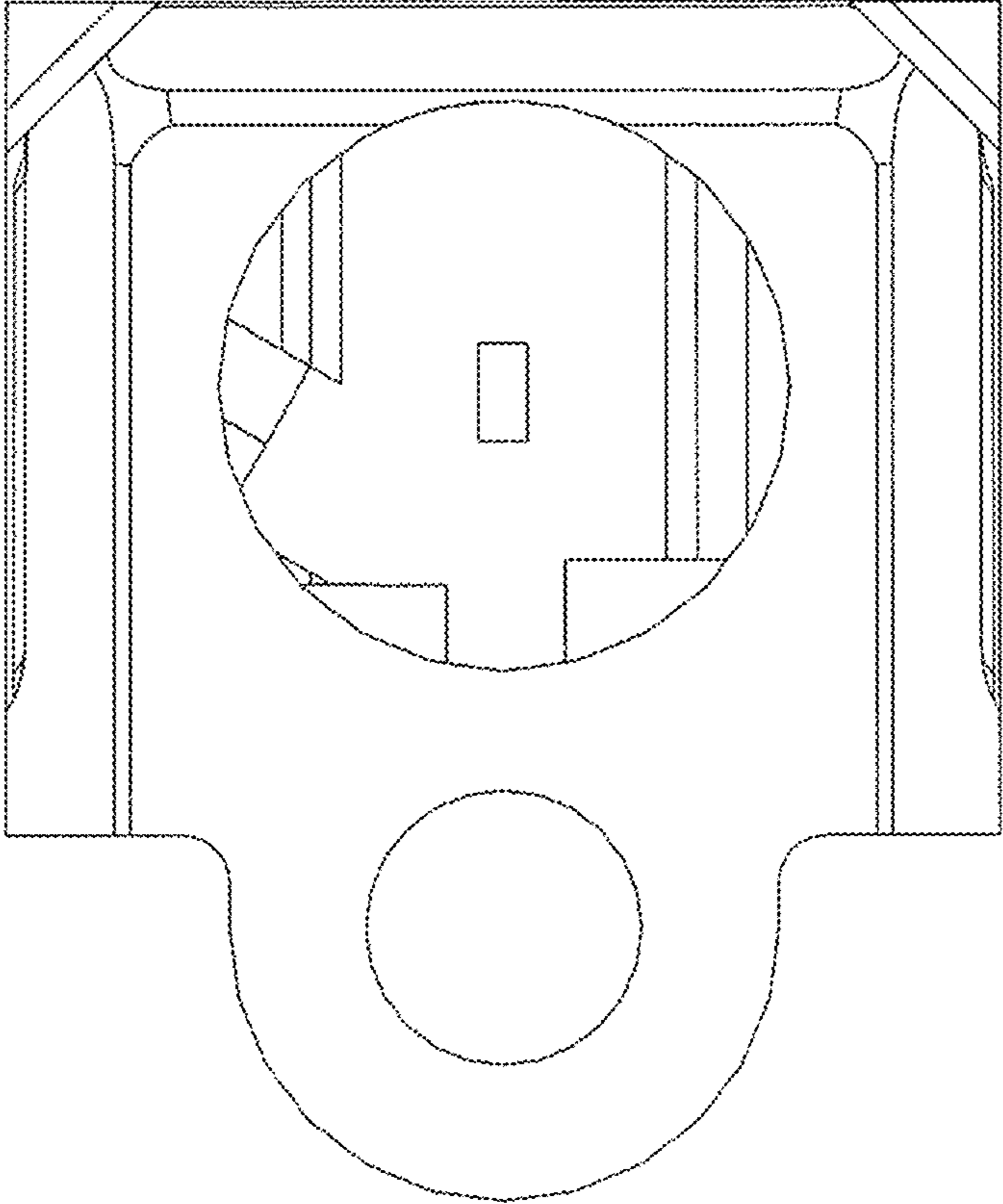


FIG. 23

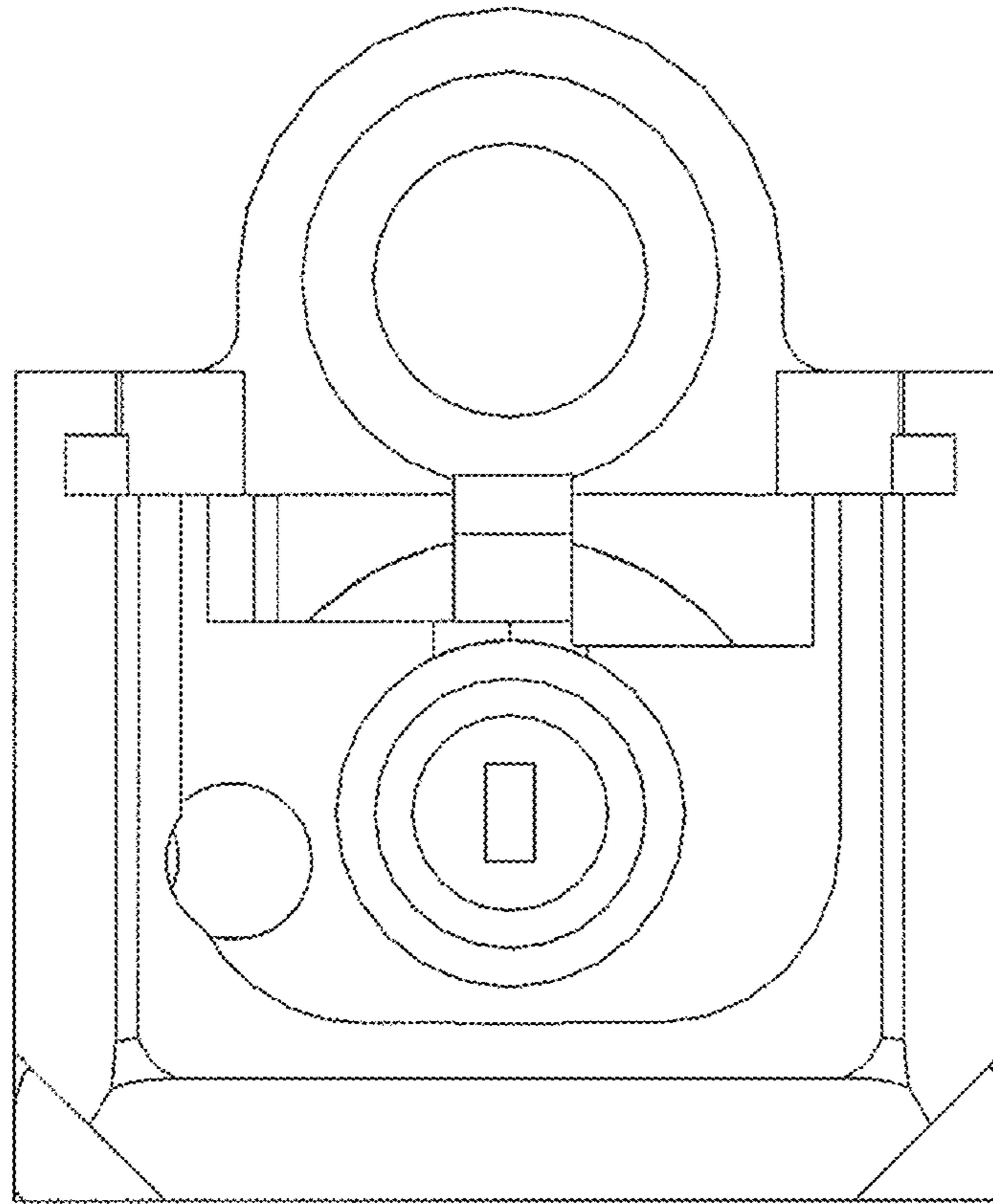


FIG. 24