



US00D777870S

(12) **United States Design Patent**
Chung

(10) **Patent No.:** **US D777,870 S**
(45) **Date of Patent:** **** Jan. 31, 2017**

(54) **FIREARM COVER COMPONENT**

(74) *Attorney, Agent, or Firm* — Gina M. Lupino

(71) Applicant: **K Chung Holdings Ltd.**, Langley (CA)

(57) **CLAIM**

(72) Inventor: **Kin Kwok Chung**, Anmore (CA)

The ornamental design for a firearm cover component, as shown and described.

(**) Term: **15 Years**

(21) Appl. No.: **29/534,106**

DESCRIPTION

(22) Filed: **Jul. 26, 2015**

(51) **LOC (10) Cl.** **22-01**

(52) **U.S. Cl.**
USPC **D22/108**

(58) **Field of Classification Search**
USPC D22/103, 108; D21/572–575; 42/90, 85,
42/106, 113, 114, 124, 125, 126, 127,
42/128; 89/37.03, 37.04, 41.17; 248/201,
248/205
CPC F41C 23/00; F41C 23/10; F41C 23/14;
F41C 23/16; F41C 23/18; F41C
27/00; F41C 27/06

See application file for complete search history.

FIG. 1 is a perspective view of a firearm cover component according to the present design illustrating the top, front, and right sides of the firearm cover component.
FIG. 2 is a perspective view of a firearm cover component according to the present design illustrating the top, front, and right sides of the firearm cover component of FIG. 1.
FIG. 3 is a front elevation view of the firearm cover component of FIG. 1.
FIG. 4 is a top plan view of the firearm cover component of FIG. 1.
FIG. 5 is a right side elevation view of the firearm cover component of FIG. 1.
FIG. 6 is a rear elevation view of the firearm cover component of FIG. 1.
FIG. 7 is a left side elevation view of the firearm cover component of FIG. 1; and,
FIG. 8 is a bottom plan elevation view of the firearm cover component of FIG. 1.
The broken lines showing a firearm in FIG. 1 depict environment only and form no part of the claimed design. The broken lines represent portions of the firearm cover component in FIGS. 2-8 that form no part of the claimed design.

(56) **References Cited**

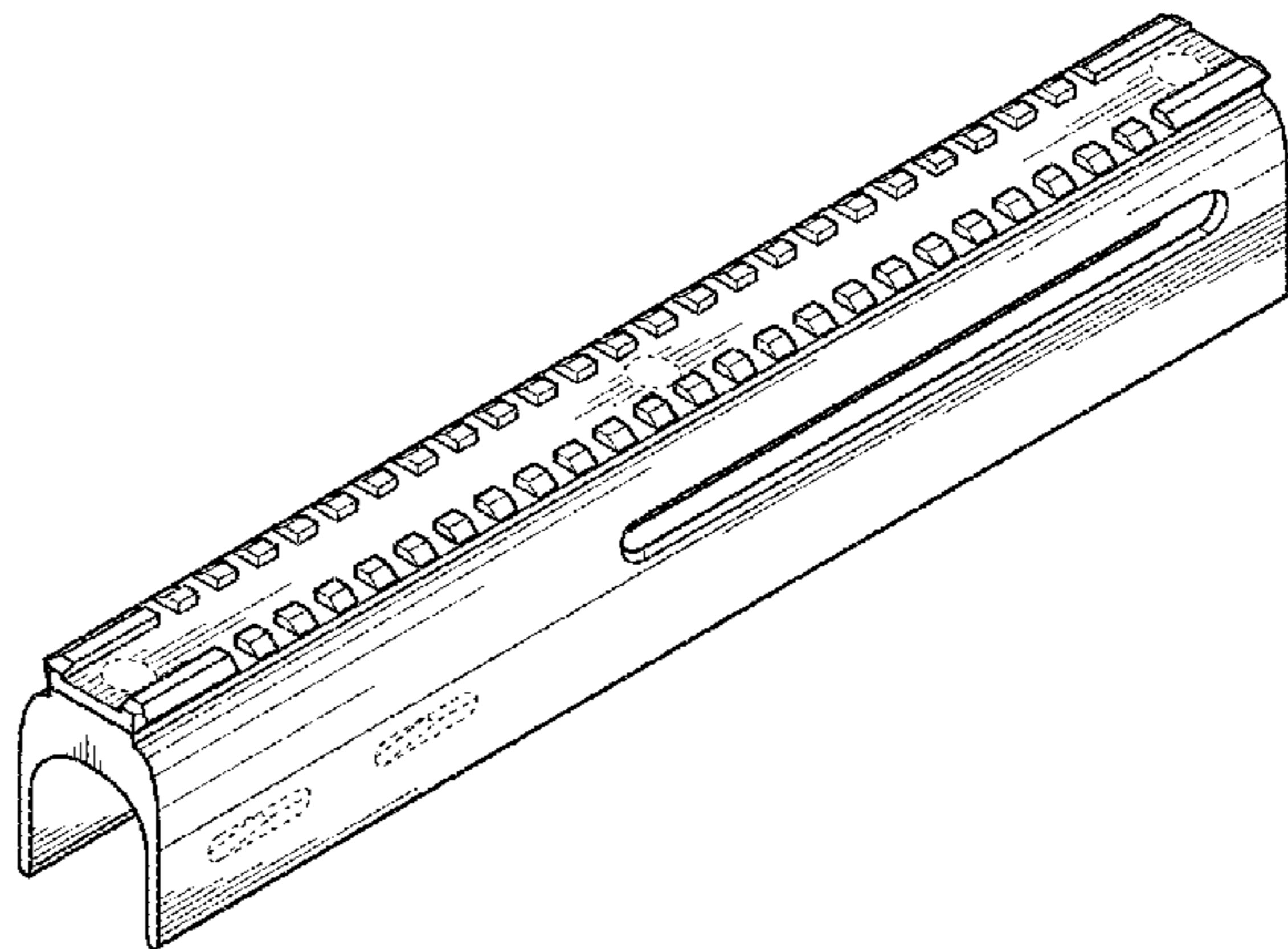
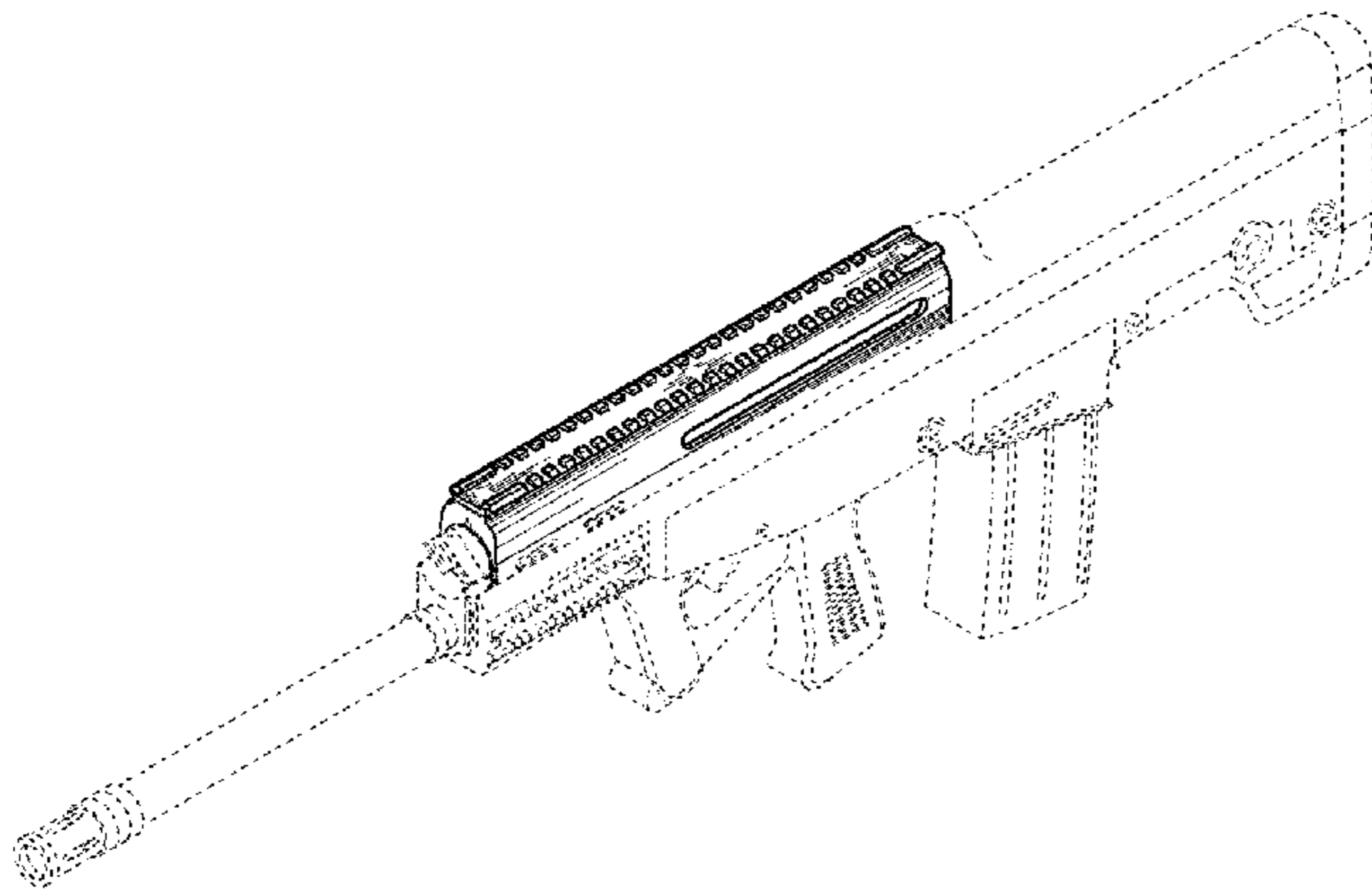
U.S. PATENT DOCUMENTS

D732,628 S * 6/2015 Cheng D22/108
D757,201 S * 5/2016 Meier D22/108

* cited by examiner

Primary Examiner — Susan Bennett Hattan
Assistant Examiner — S. Bryan Reinholdt, Jr.

1 Claim, 3 Drawing Sheets



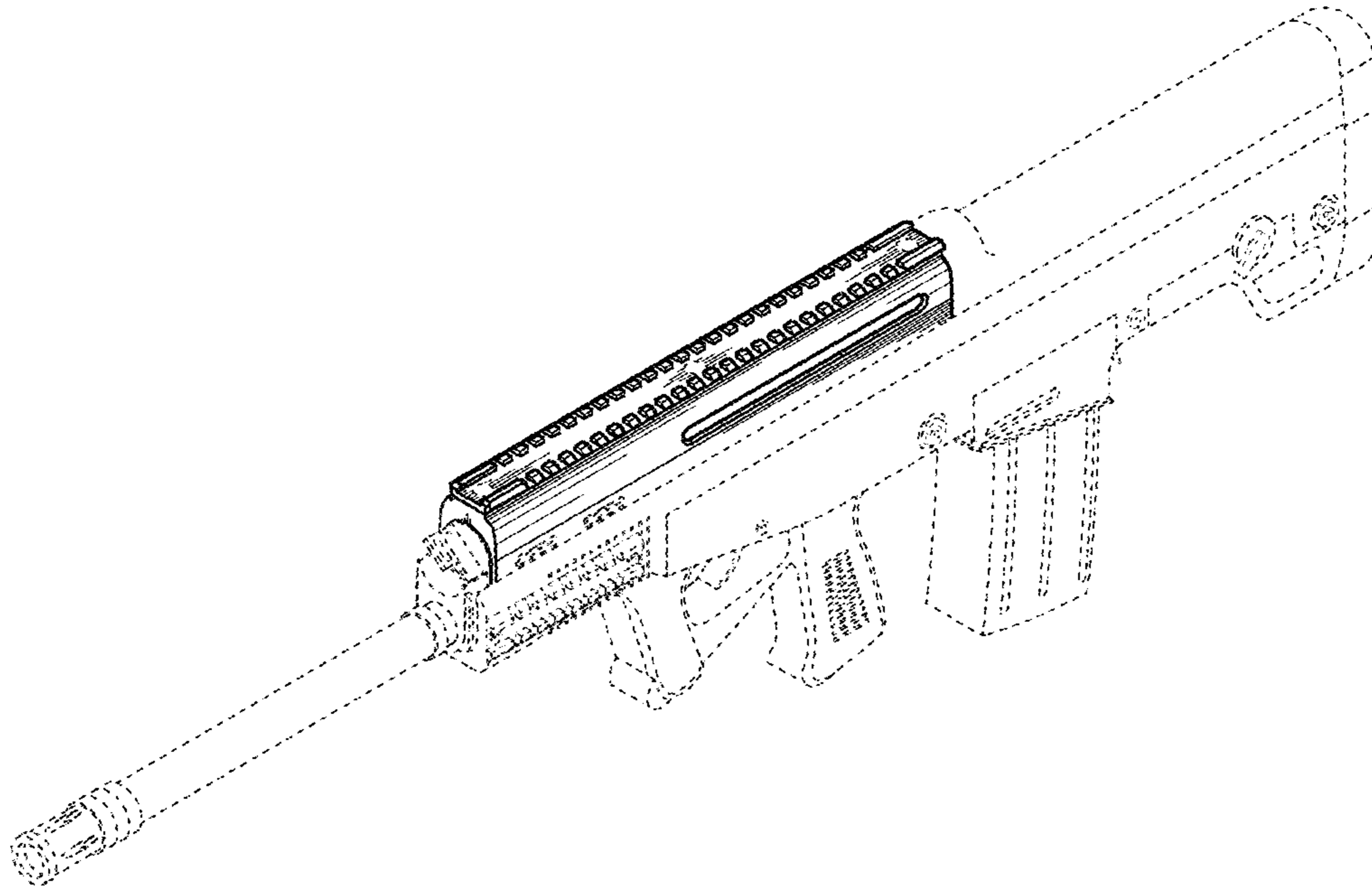


FIG. 1

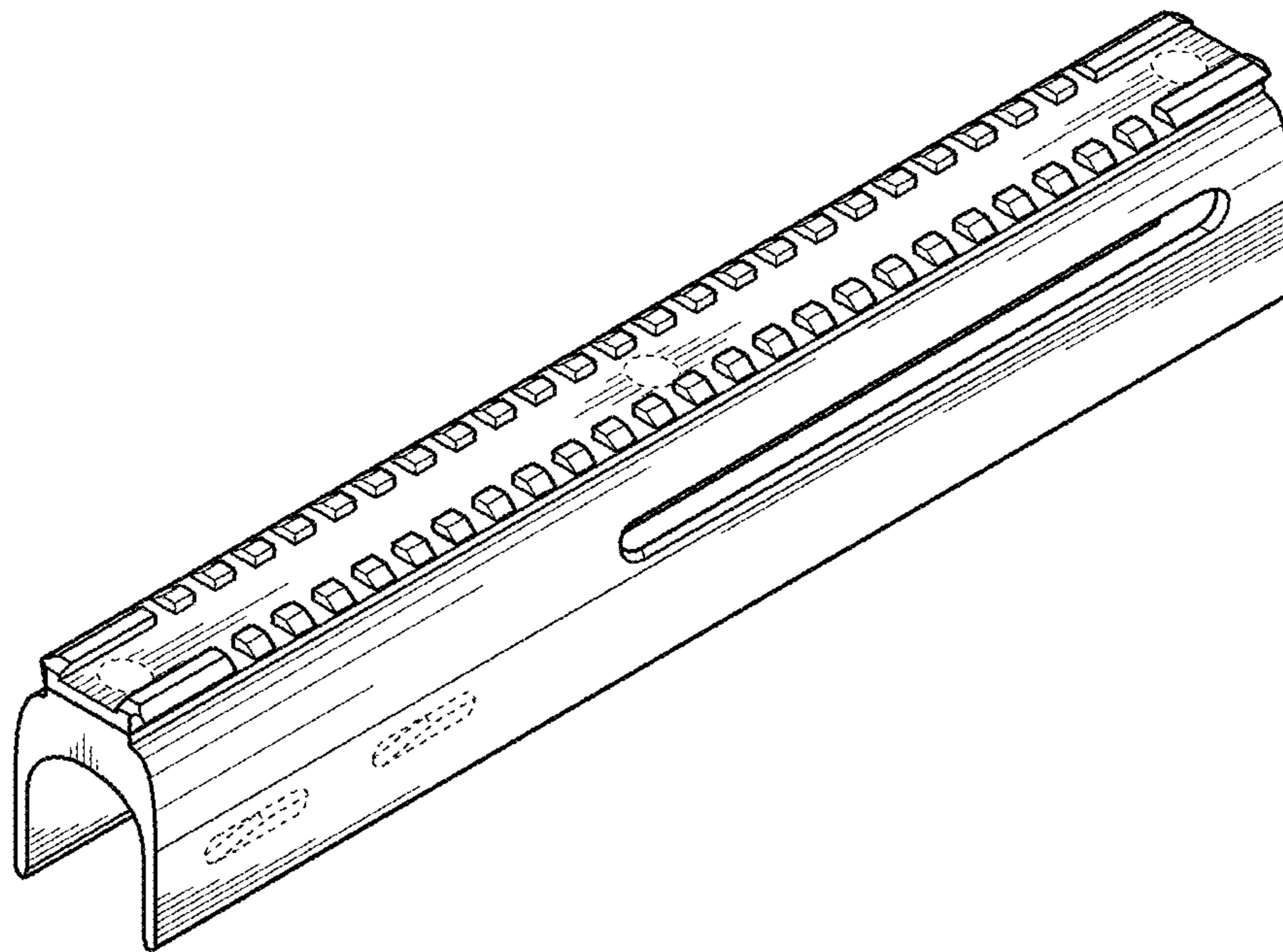


FIG. 2

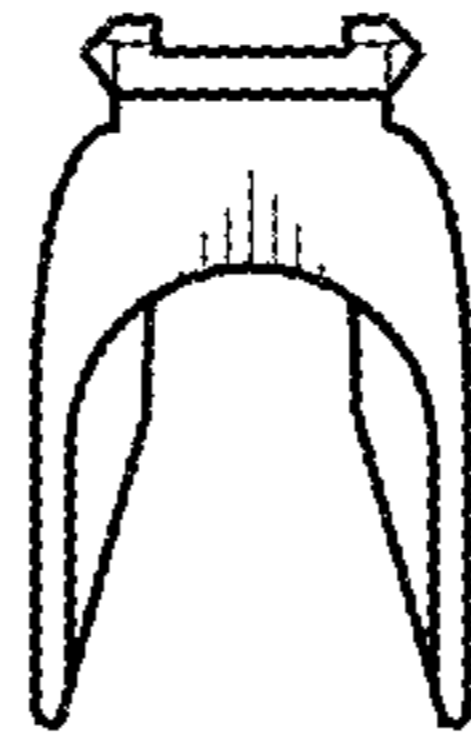


FIG. 3

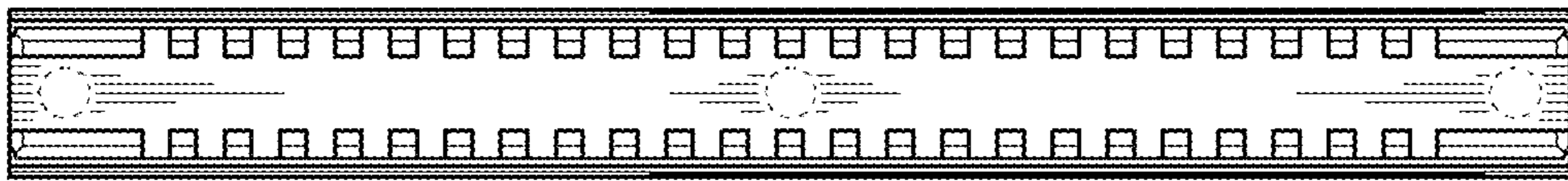


FIG. 4

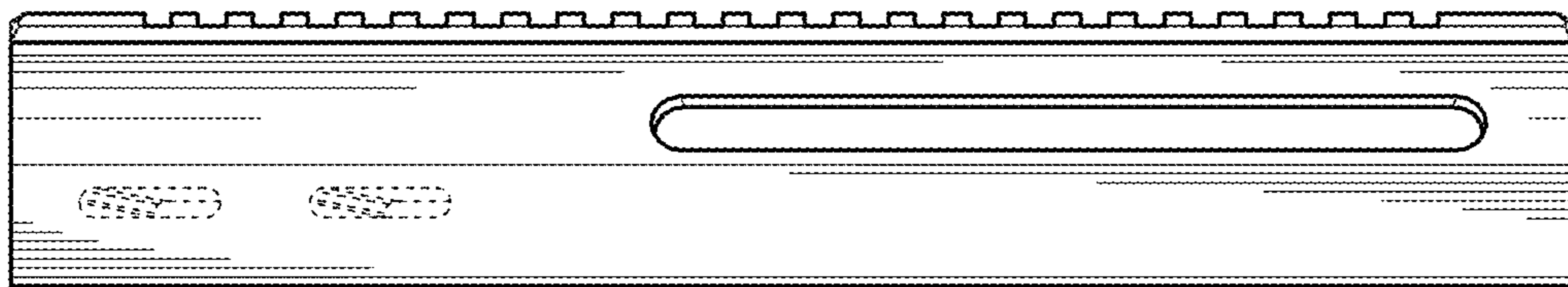


FIG. 5

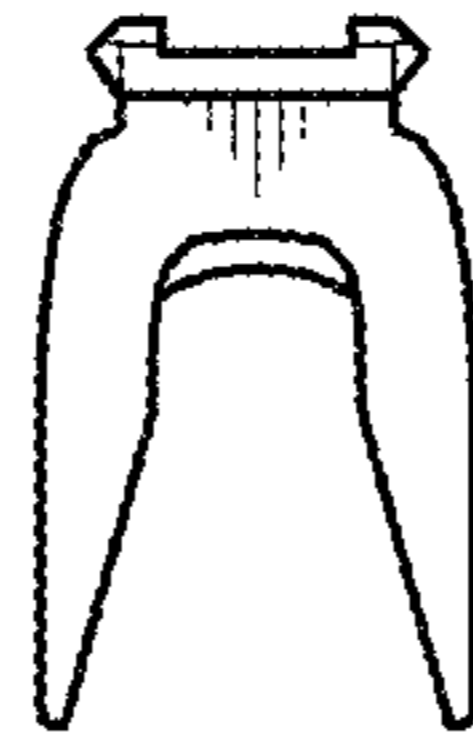


FIG. 6

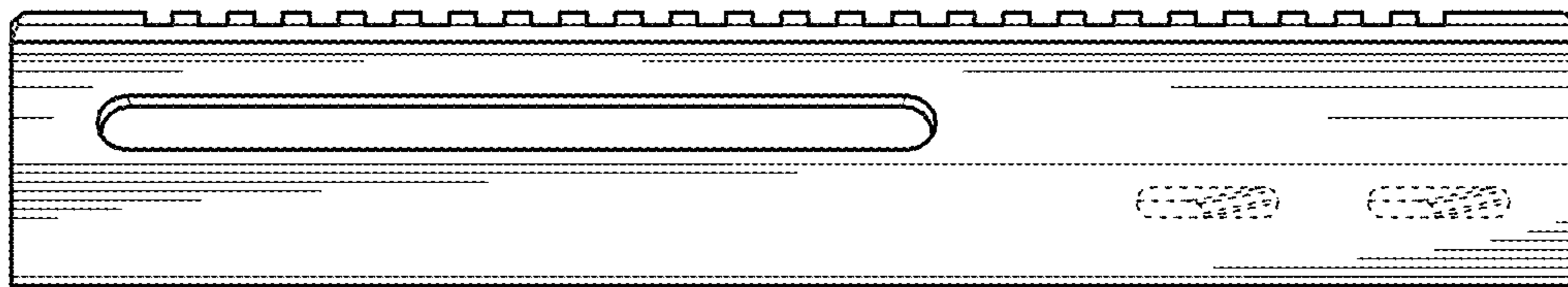


FIG. 7

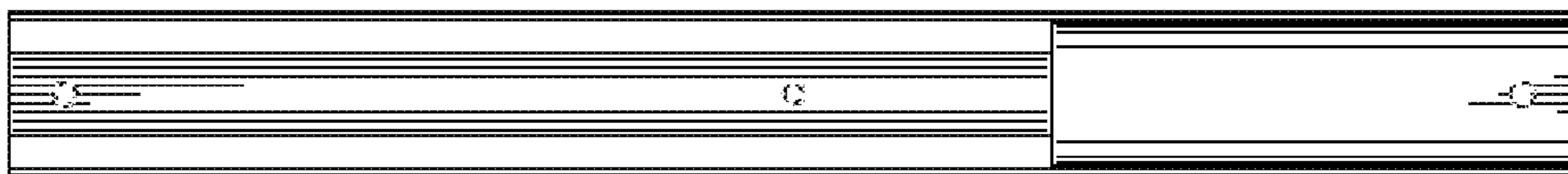


FIG. 8