



US00D777869S

(12) **United States Design Patent** (10) **Patent No.:** **US D777,869 S**
Wynalda, Jr. (45) **Date of Patent:** **** Jan. 31, 2017**

(54) **INFORMATION BAND FOR FIREARM**

FOREIGN PATENT DOCUMENTS

(71) Applicant: **Wynalda Litho, Inc.**, Belmont, MI (US)

DE 202011107796 U1 12/2011

(72) Inventor: **Robert M. Wynalda, Jr.**, Comstock Park, MI (US)

OTHER PUBLICATIONS

Hornady Ballistic band (2-Pack); Copyright 2015; accessed from www.hornady.com Dec. 9, 2015.

(**) Term: **14 Years**

Primary Examiner — Michael A Pratt

(21) Appl. No.: **29/517,525**

(74) *Attorney, Agent, or Firm* — Zollinger & Burleson Ltd.

(22) Filed: **Feb. 13, 2015**

(57) **CLAIM**

(51) **LOC (10) Cl.** **22-01**

The ornamental design for an information band for firearm, as shown and described.

(52) **U.S. Cl.**

DESCRIPTION

USPC **D22/108**

(58) **Field of Classification Search**

USPC D22/108; D11/3-27

CPC F41C 23/04; F41C 23/14; F41C 23/06;

F41C 23/22; F41C 33/007

See application file for complete search history.

FIG. 1 is a perspective view of a first embodiment of the information band for firearm showing my new design.

FIG. 2 is a front elevation view thereof.

FIG. 3 is a left side elevation view thereof.

FIG. 4 is a top plan view thereof; the bottom view being the same.

FIG. 5 is a right side elevation view thereof.

FIG. 6 is a perspective view of a second embodiment of the information band for firearm showing my new design.

FIG. 7 is a front elevation view thereof.

FIG. 8 is a left side elevation view thereof.

FIG. 9 is a top plan view thereof; the bottom view being the same.

FIG. 10 is a right side elevation view thereof.

FIG. 11 is a perspective view of a third embodiment of the information band for firearm showing my new design.

FIG. 12 is a front elevation view thereof.

FIG. 13 is a left side elevation view thereof.

FIG. 14 is a right side elevation view thereof; and,

FIG. 15 is a top plan view thereof; the bottom view being the same.

(56) **References Cited**

U.S. PATENT DOCUMENTS

D540,709 S * 4/2007 Daas D11/16

D542,167 S * 5/2007 Brown D11/4

D542,687 S * 5/2007 Brown D11/4

D542,689 S * 5/2007 Daas D11/16

D543,127 S * 5/2007 Daas D11/16

D546,225 S * 7/2007 Brown D11/4

D546,226 S * 7/2007 Brown D11/4

D546,227 S * 7/2007 Brown D11/4

D591,633 S * 5/2009 Del Valle D11/3

D600,571 S * 9/2009 Singer D10/32

D611,819 S * 3/2010 Slubski D9/434

8,567,103 B2 10/2013 Wolf

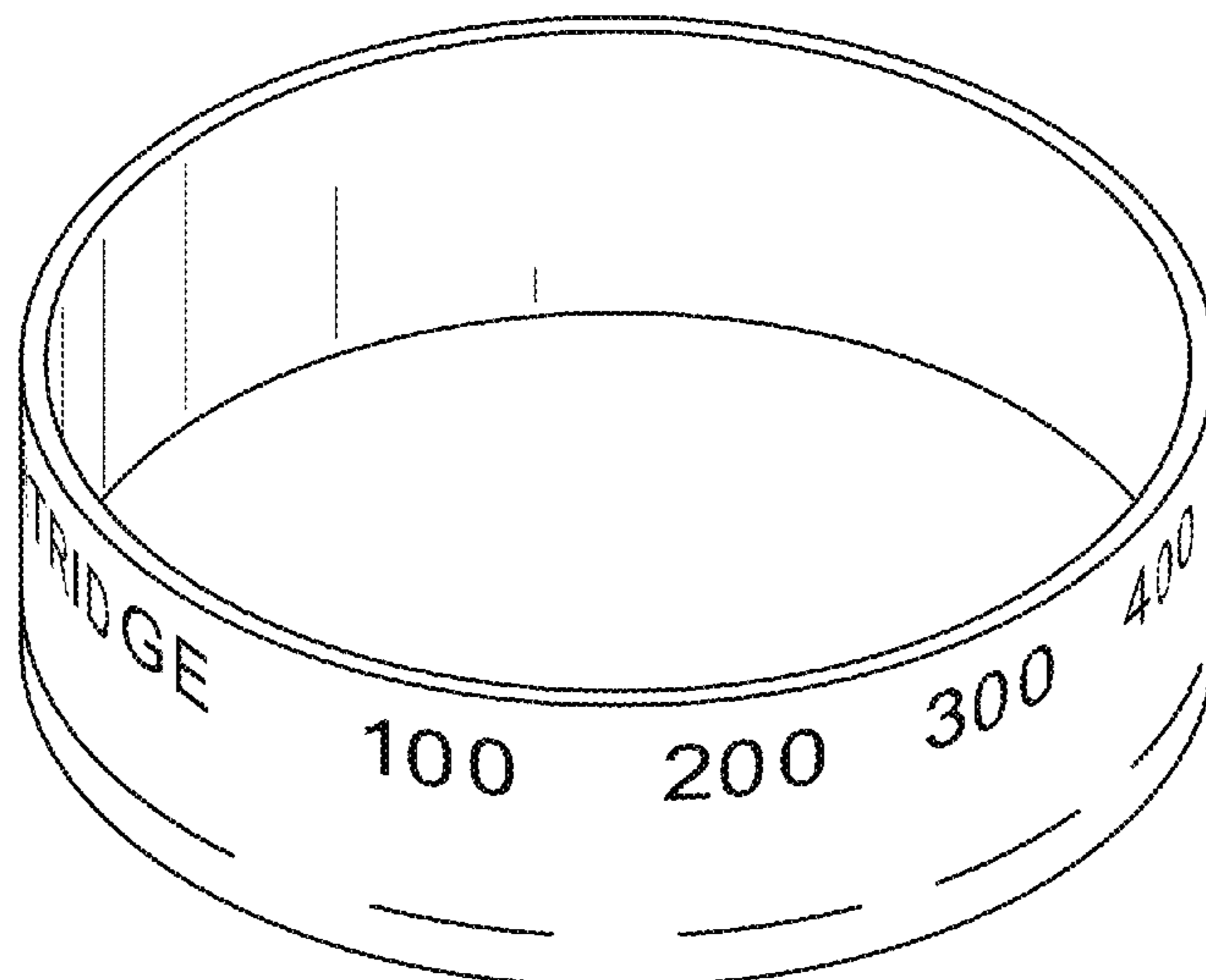
2009/0049731 A1* 2/2009 Seuk F41A 23/16

42/94

2009/0094870 A1 4/2009 Isserow et al.

(Continued)

1 Claim, 6 Drawing Sheets



(56)

References Cited

U.S. PATENT DOCUMENTS

2011/0290872 A1 12/2011 Bock

* cited by examiner

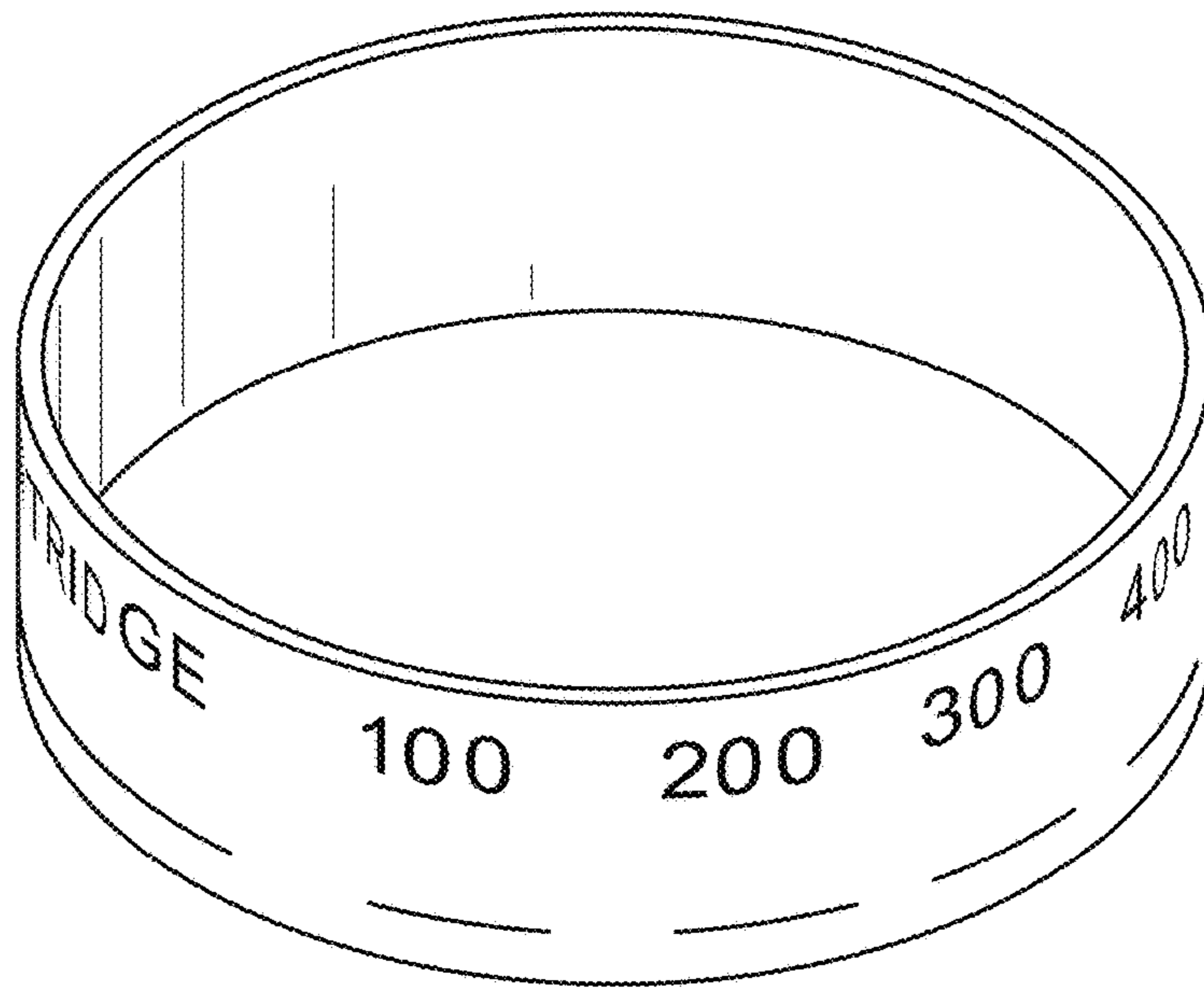


FIG. 1

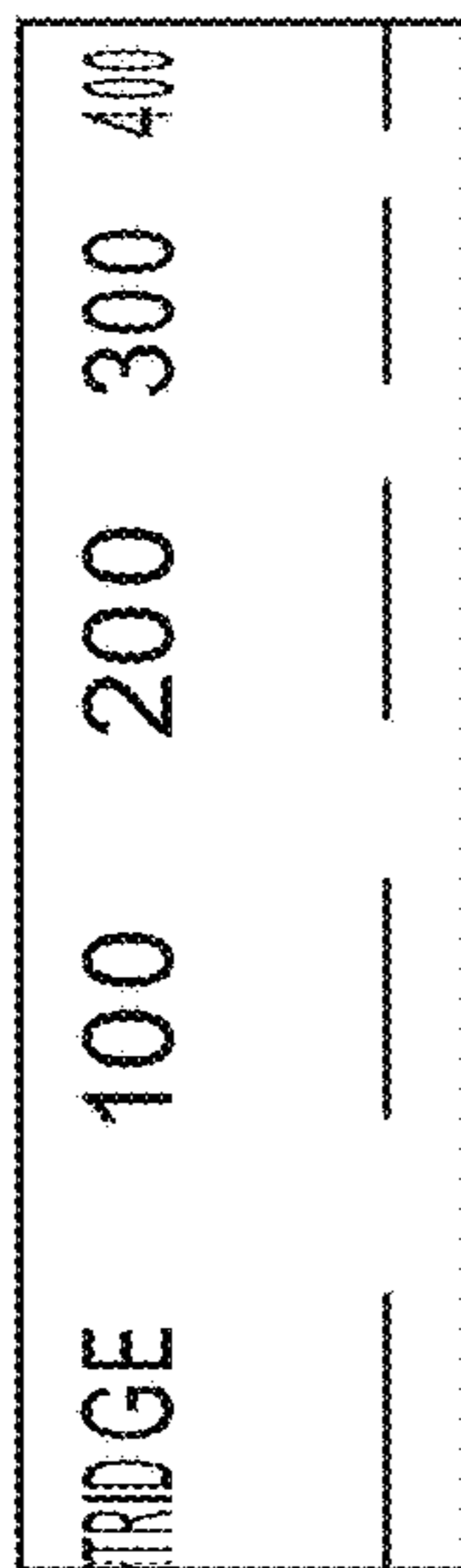


FIG. 2

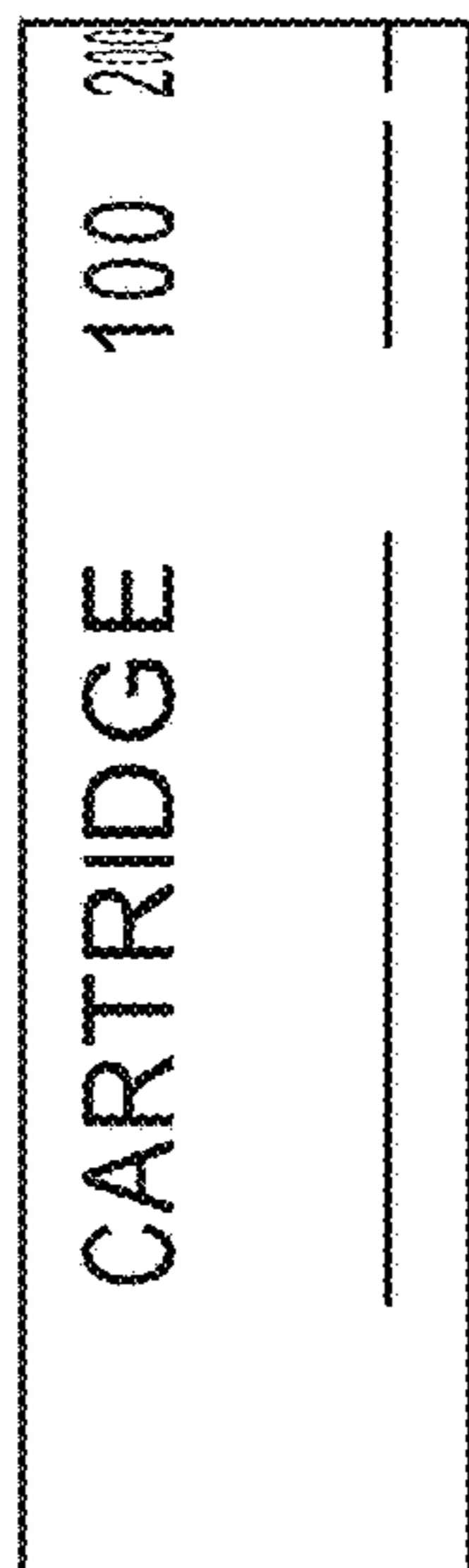


FIG. 3

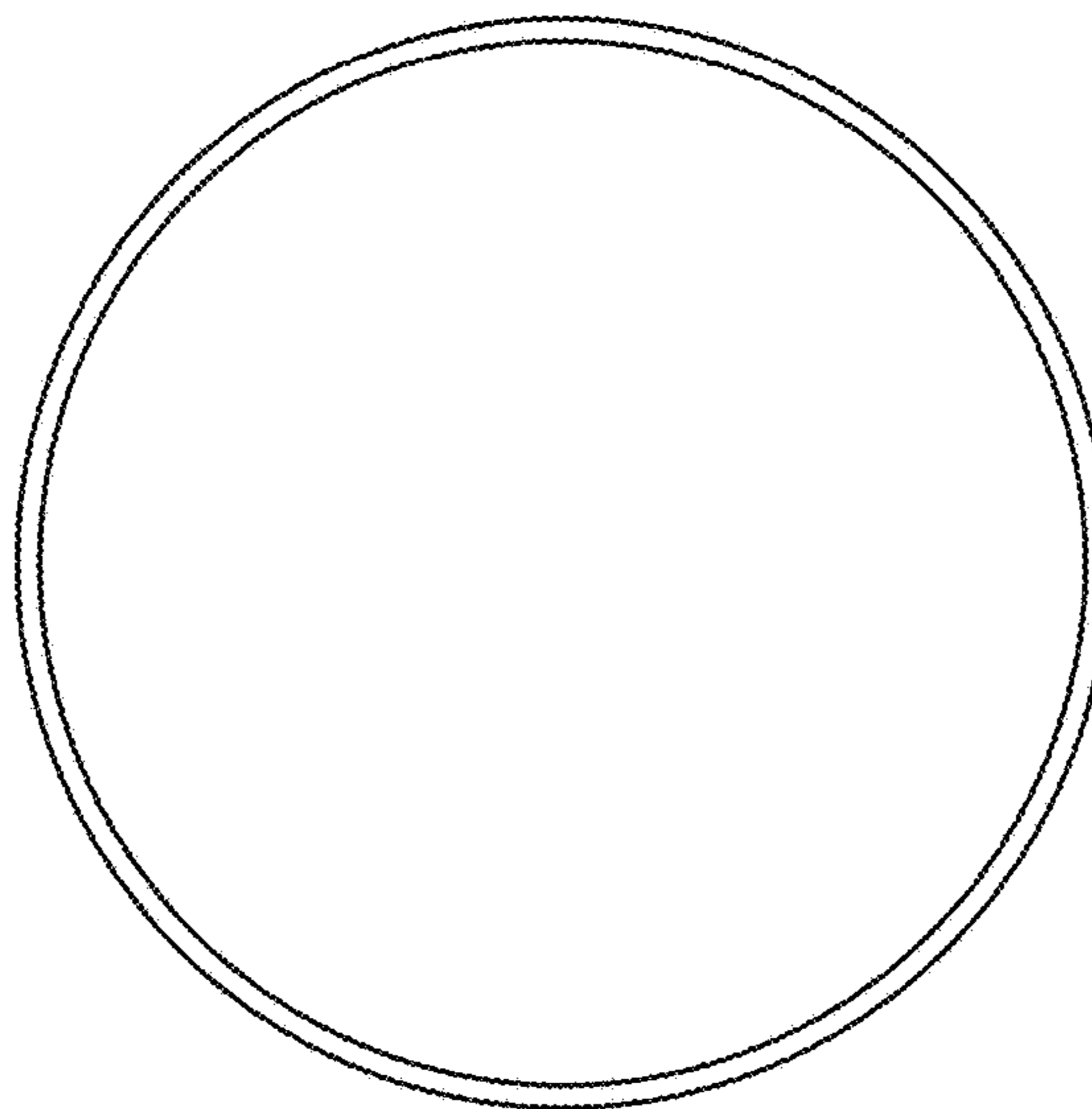


FIG. 4

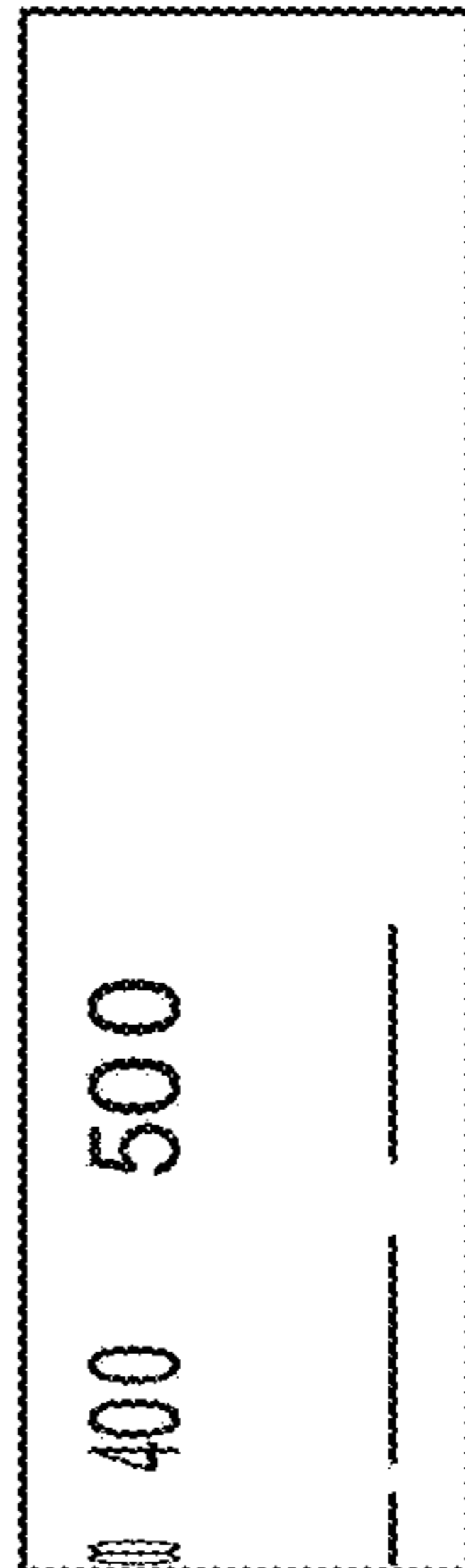


FIG. 5

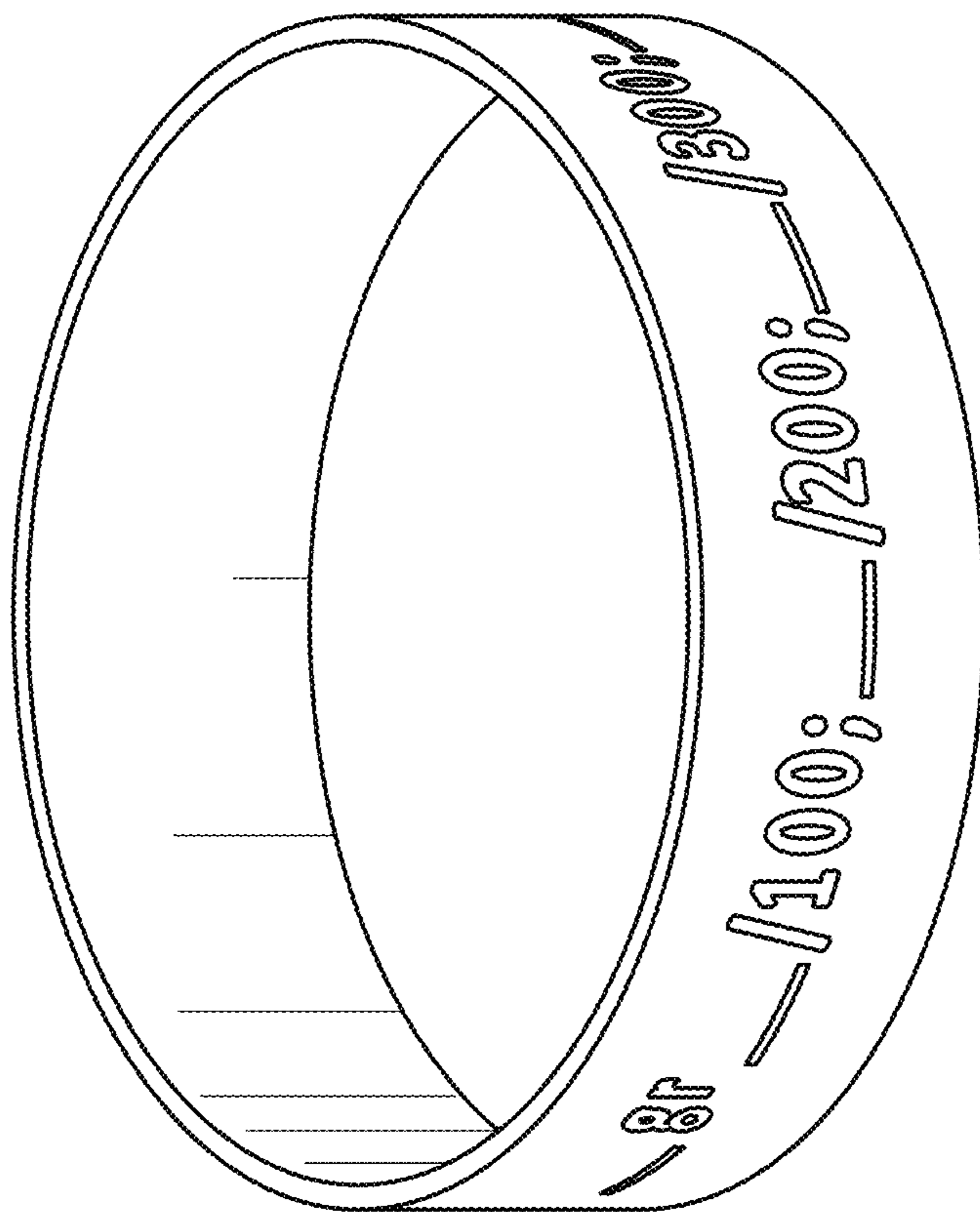


FIG. 6

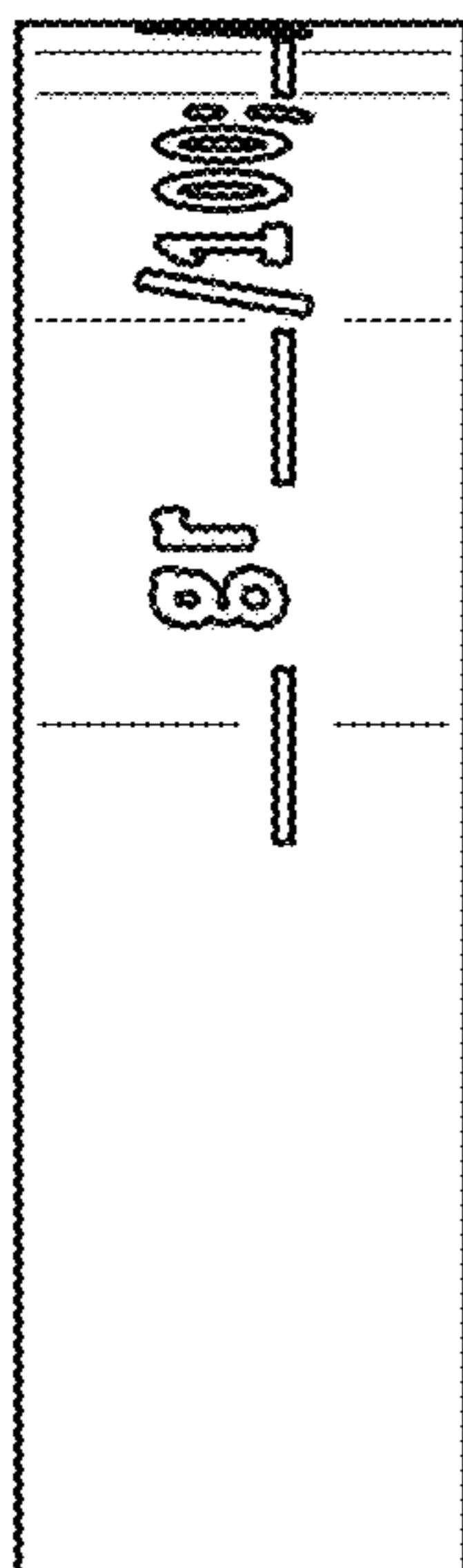


FIG. 8

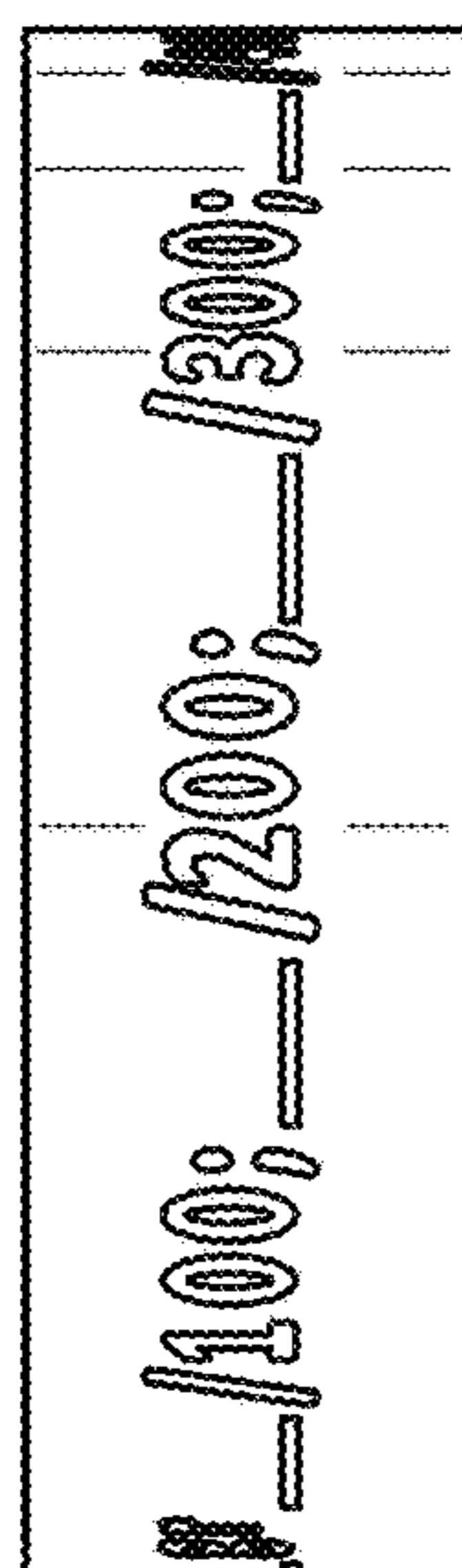


FIG. 7

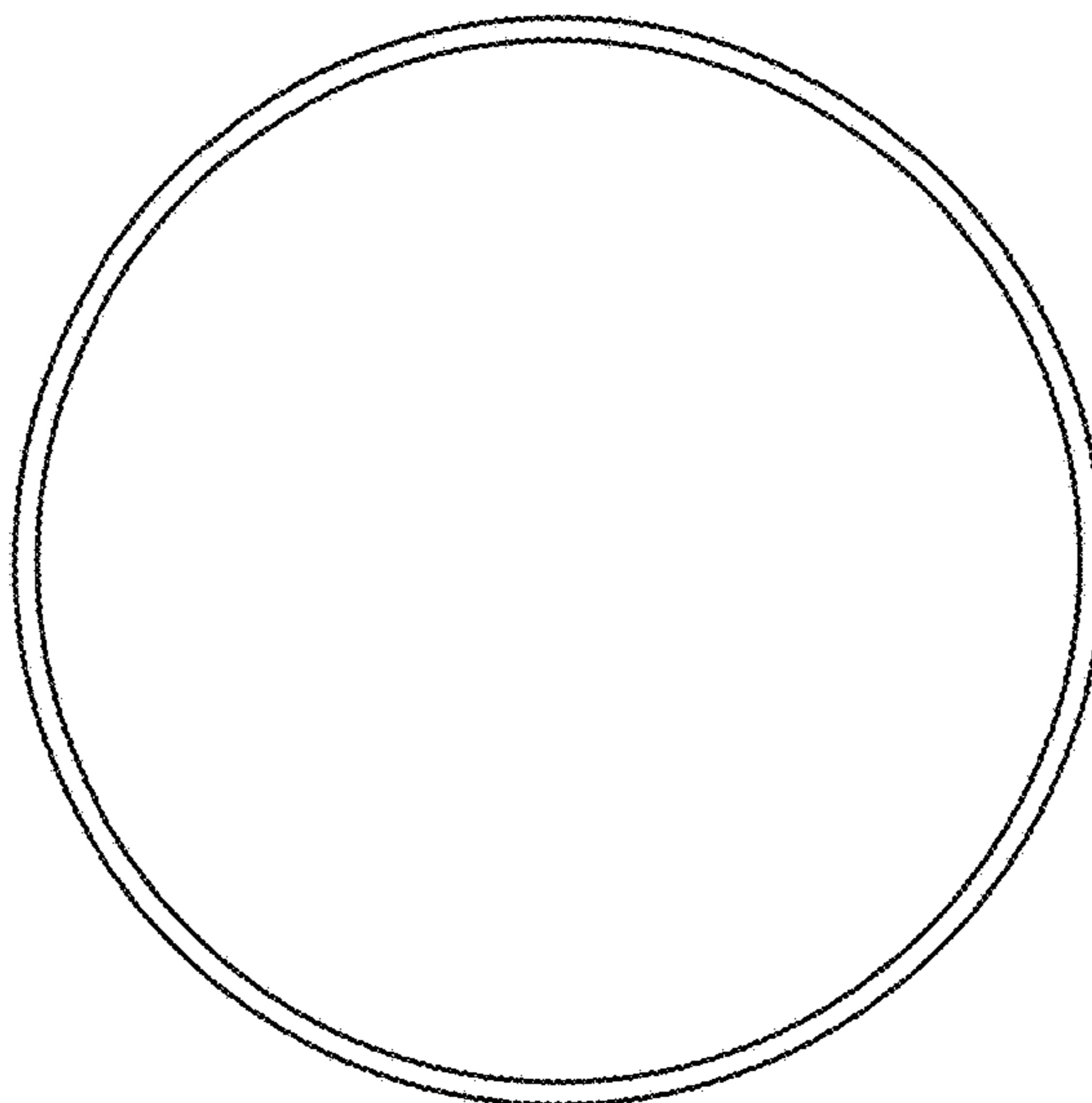


FIG. 9

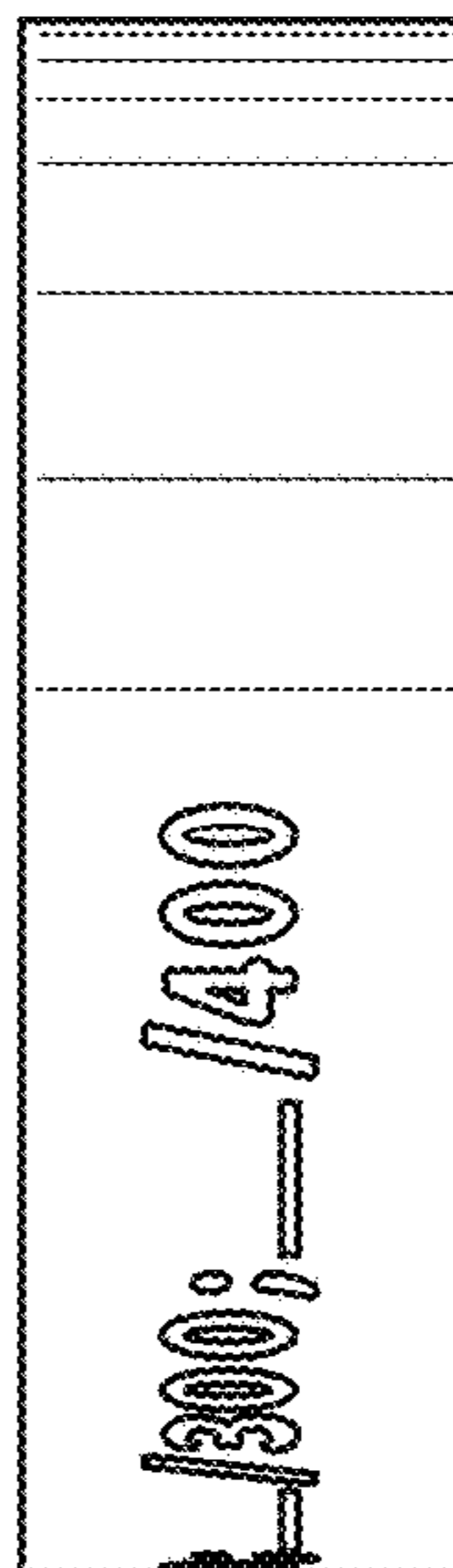


FIG. 10

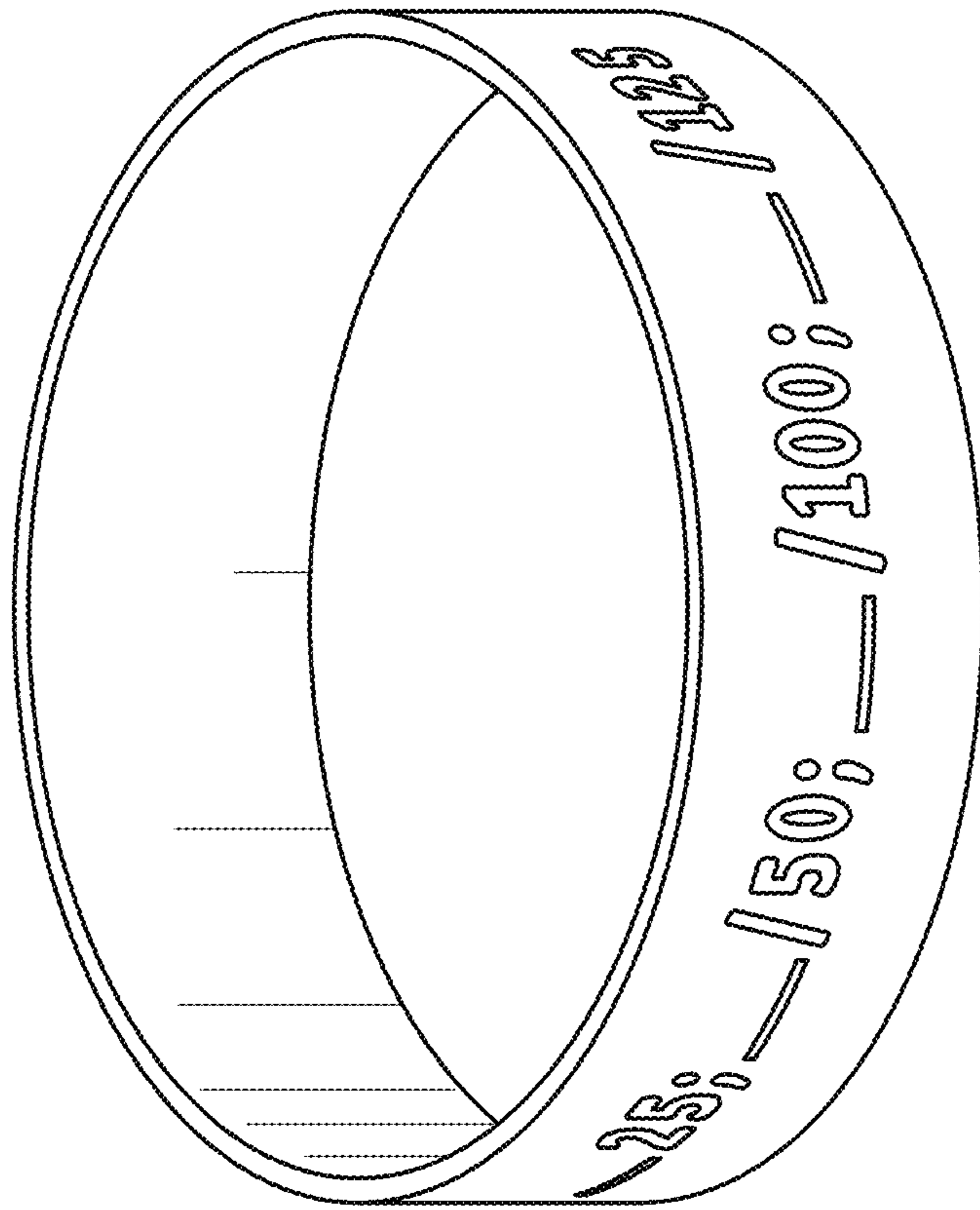


FIG. 11

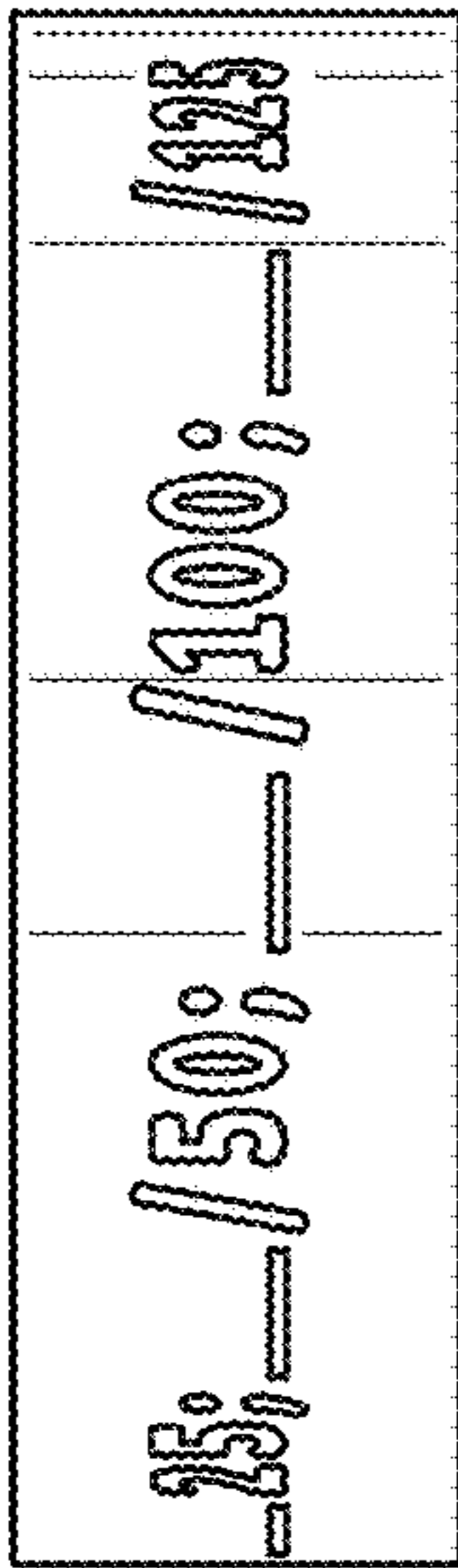


FIG. 12

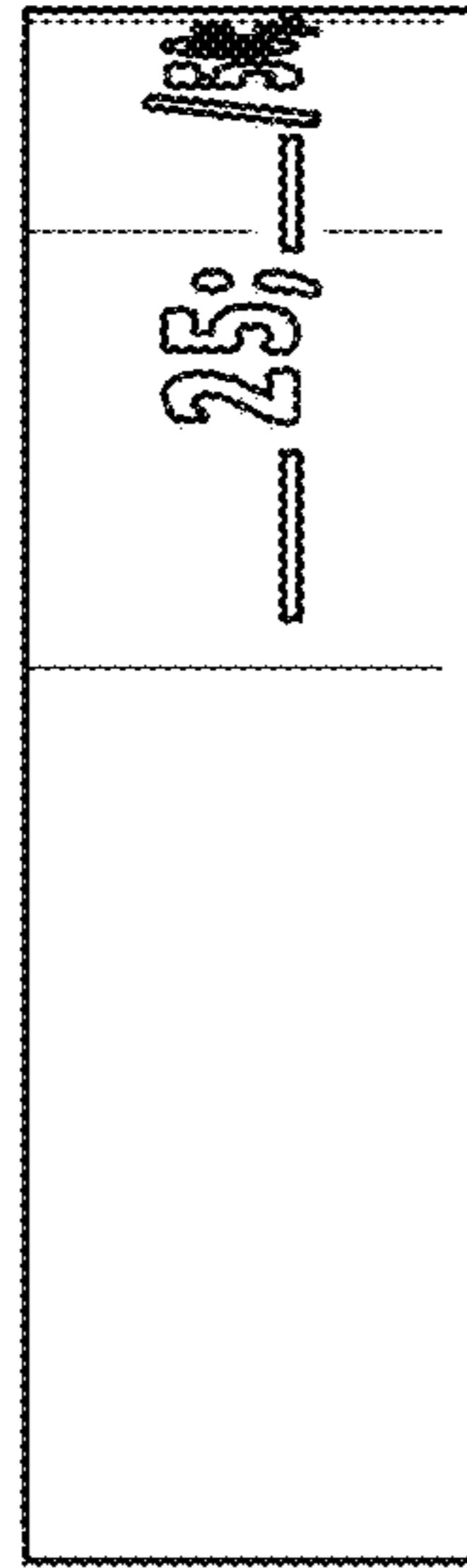


FIG. 13

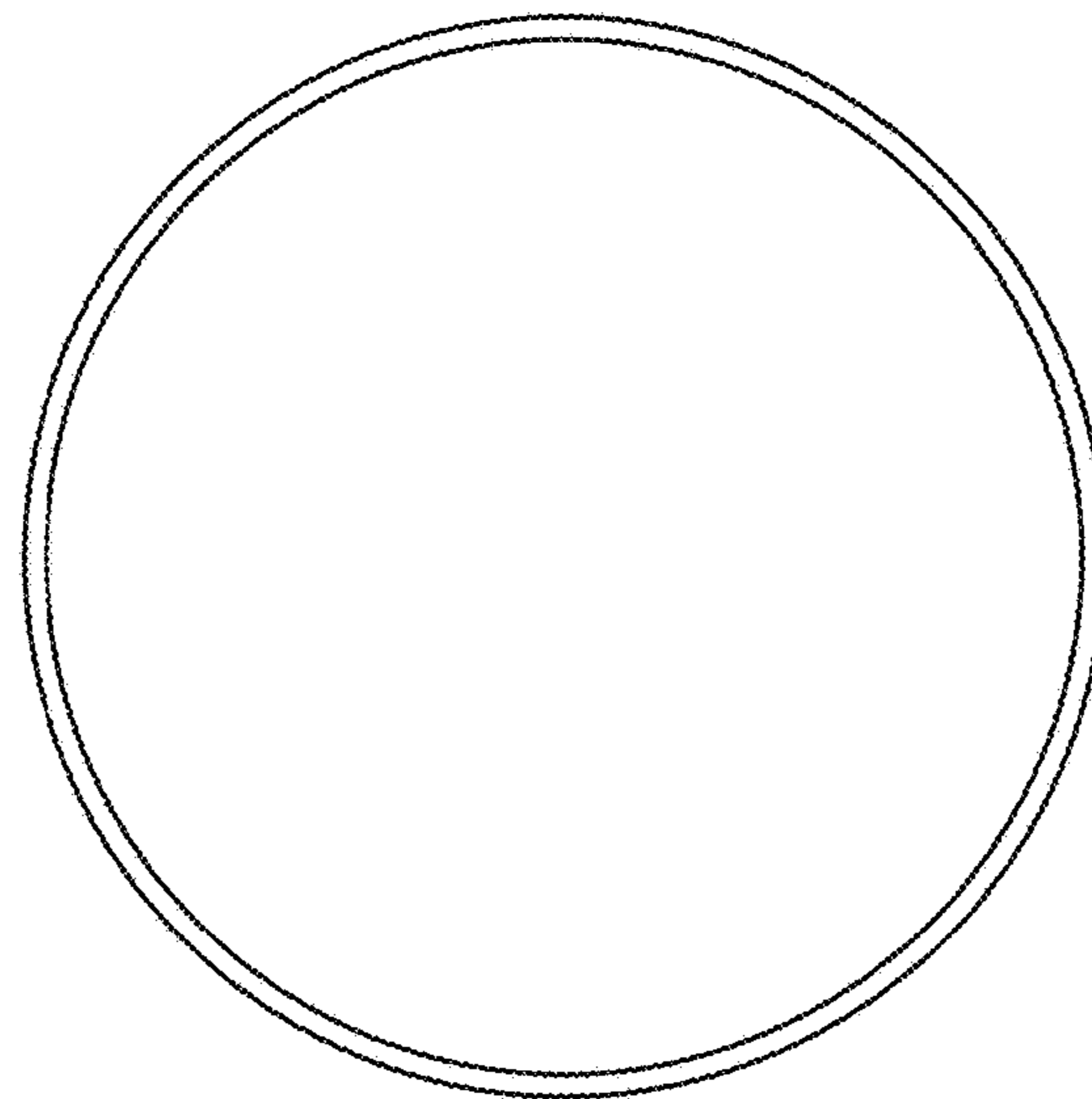


FIG. 15

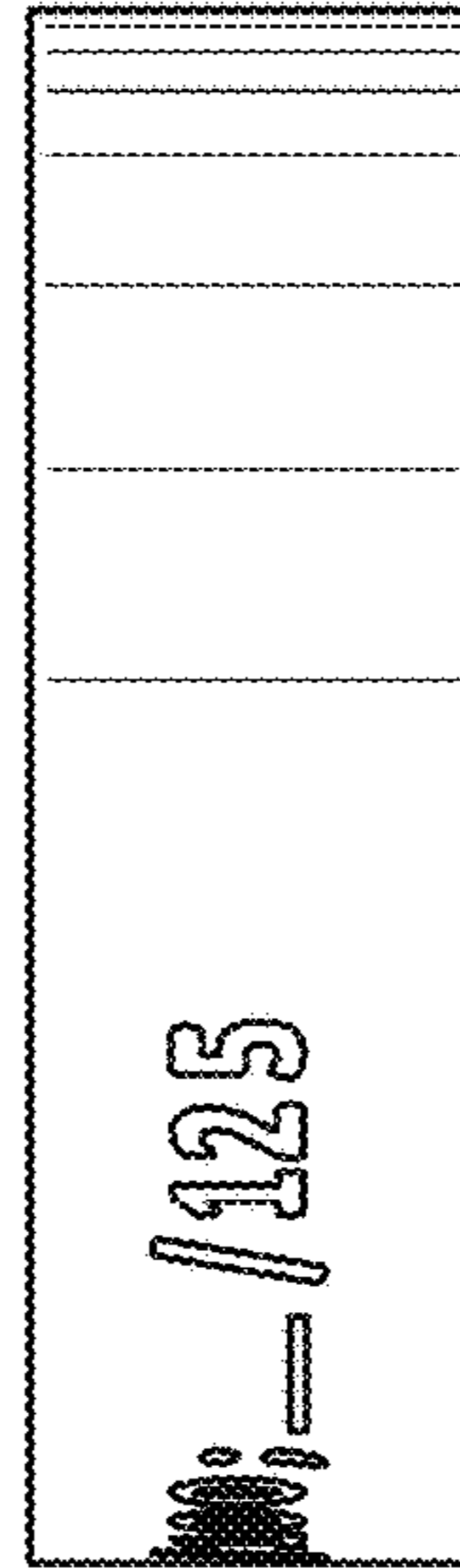


FIG. 14