



US00D777868S

(12) **United States Design Patent** (10) **Patent No.:** **US D777,868 S**
Wynalda, Jr. (45) **Date of Patent:** **** Jan. 31, 2017**

(54) **FIREARM STOCK WITH INFORMATION BAND**

(71) Applicant: **Wynalda Litho, Inc.**, Belmont, MI (US)

(72) Inventor: **Robert M. Wynalda, Jr.**, Comstock Park, MI (US)

(**) Term: **14 Years**

(21) Appl. No.: **29/517,524**

(22) Filed: **Feb. 13, 2015**

(51) **LOC (10) Cl.** **22-01**

(52) **U.S. Cl.**
USPC **D22/108**

(58) **Field of Classification Search**
USPC D22/108; D11/3-27
(Continued)

(56) **References Cited**

U.S. PATENT DOCUMENTS

D242,141 S * 11/1976 Sullivan D22/103
D262,567 S * 1/1982 Hillberg D22/103
(Continued)

FOREIGN PATENT DOCUMENTS

DE 202011107796 U1 12/2011

OTHER PUBLICATIONS

Hornady Ballistic band (2-Pack); Copyright 2015; accessed from www.hornady.com Dec. 9, 2015.

Primary Examiner — Michael A Pratt

(74) *Attorney, Agent, or Firm* — Zollinger & Burleson Ltd.

(57) **CLAIM**

The ornamental design for a firearm stock with information band, as shown and described.

DESCRIPTION

FIG. 1 is a side view of an exemplary firearm having a first embodiment of the firearm stock with information band showing my new design.

FIG. 2 is a perspective view of the first embodiment of the firearm stock with information band showing my new design.

FIG. 3 is a view of the right side of FIG. 2.

FIG. 4 is a view of the left side of FIG. 2.

FIG. 5 is a view of the top of FIG. 2.

FIG. 6 is a view of the bottom of FIG. 2.

FIG. 7 is a side view of an exemplary firearm having a second embodiment of the firearm stock with information band showing my new design.

FIG. 8 is a perspective view of the second embodiment of the firearm stock with information band showing my new design.

FIG. 9 is a view of the right side of FIG. 8.

FIG. 10 is a view of the left side of FIG. 8.

FIG. 11 is a view of the top of FIG. 8.

FIG. 12 is a view of the bottom of FIG. 8.

FIG. 13 is a side view of an exemplary firearm having a third embodiment of the firearm stock with information band showing my new design.

FIG. 14 is a perspective view of the third embodiment of the firearm stock with information band showing my new design.

FIG. 15 is a view of the right side of FIG. 14.

FIG. 16 is a view of the left side of FIG. 14.

FIG. 17 is a view of the top of FIG. 14.

FIG. 18 is a view of the bottom of FIG. 14.

FIG. 19 is a side view of an exemplary firearm having a fourth embodiment of the firearm stock with information band showing my new design.

FIG. 20 is a perspective view of the fourth embodiment of the firearm stock with information band showing my new design.

FIG. 21 is a view of the right side of FIG. 20.

FIG. 22 is a view of the left side of FIG. 20.

FIG. 23 is a view of the top of FIG. 20.

FIG. 24 is a view of the bottom of FIG. 20.

(Continued)

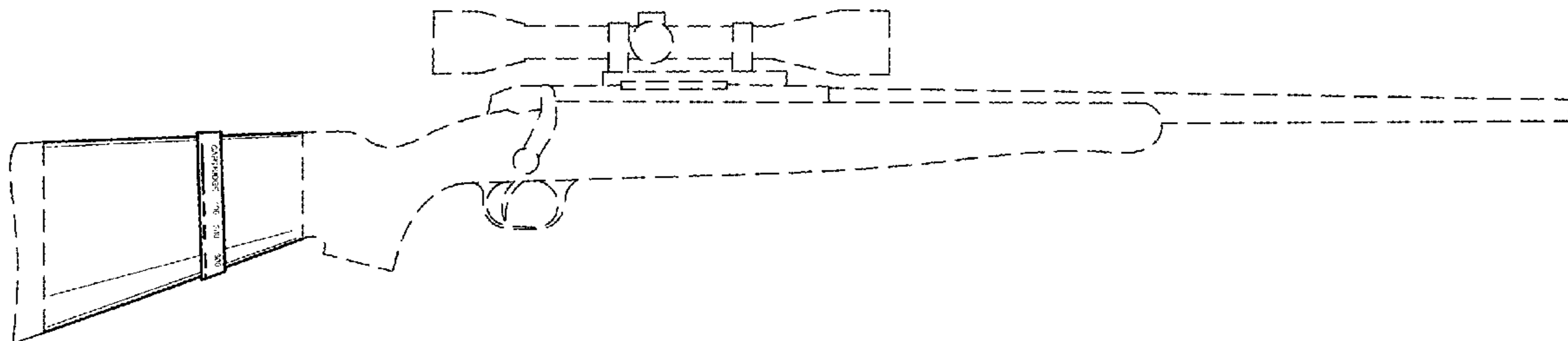


FIG. 25 is a perspective view of the fifth embodiment of the firearm stock with information band showing my new design.

FIG. 26 is a view of the right side of FIG. 25.

FIG. 27 is a view of the left side of FIG. 25.

FIG. 28 is a view of the top of FIG. 25; and,

FIG. 29 is a view of the bottom of FIG. 25.

The features depicted in broken lines form no part of the claimed invention.

1 Claim, 14 Drawing Sheets

(58) **Field of Classification Search**

CPC F41C 23/04; F41C 23/14; F41C 23/06;
F41C 23/22; F41C 33/007

See application file for complete search history.

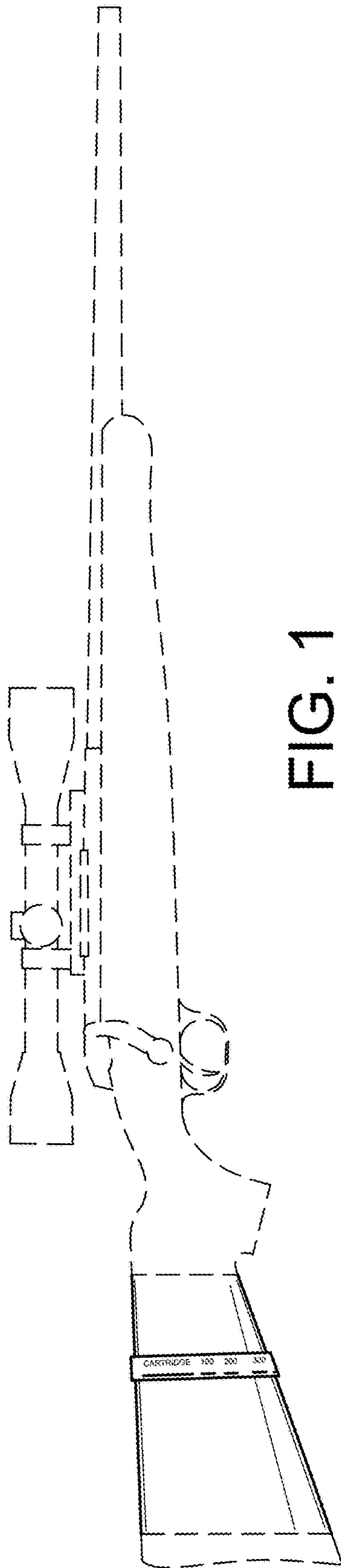
(56) **References Cited**

U.S. PATENT DOCUMENTS

D454,610 S * 3/2002 McCarthy D22/108
D540,709 S * 4/2007 Daas D11/16

D542,167 S * 5/2007 Brown D11/4
D542,687 S * 5/2007 Brown D11/4
D542,689 S * 5/2007 Daas D11/16
D543,127 S * 5/2007 Daas D11/16
D546,225 S * 7/2007 Brown D11/4
D546,226 S * 7/2007 Brown D11/4
D546,227 S * 7/2007 Brown D11/4
D591,633 S * 5/2009 Del Valle D11/3
D600,571 S * 9/2009 Singer D10/32
D611,819 S * 3/2010 Slubski D9/434
8,567,103 B2 10/2013 Wolf
D706,896 S * 6/2014 Bosco D22/108
D728,724 S * 5/2015 Bosco D22/108
D745,941 S * 12/2015 Bosco D22/108
D753,782 S * 4/2016 Vazquez D22/108
2009/0049731 A1* 2/2009 Seuk F41A 23/16
42/94
2009/0094870 A1 4/2009 Isserow et al.
2011/0290872 A1 12/2011 Bock
2014/0144061 A1* 5/2014 Bosco F41C 33/001
42/94

* cited by examiner



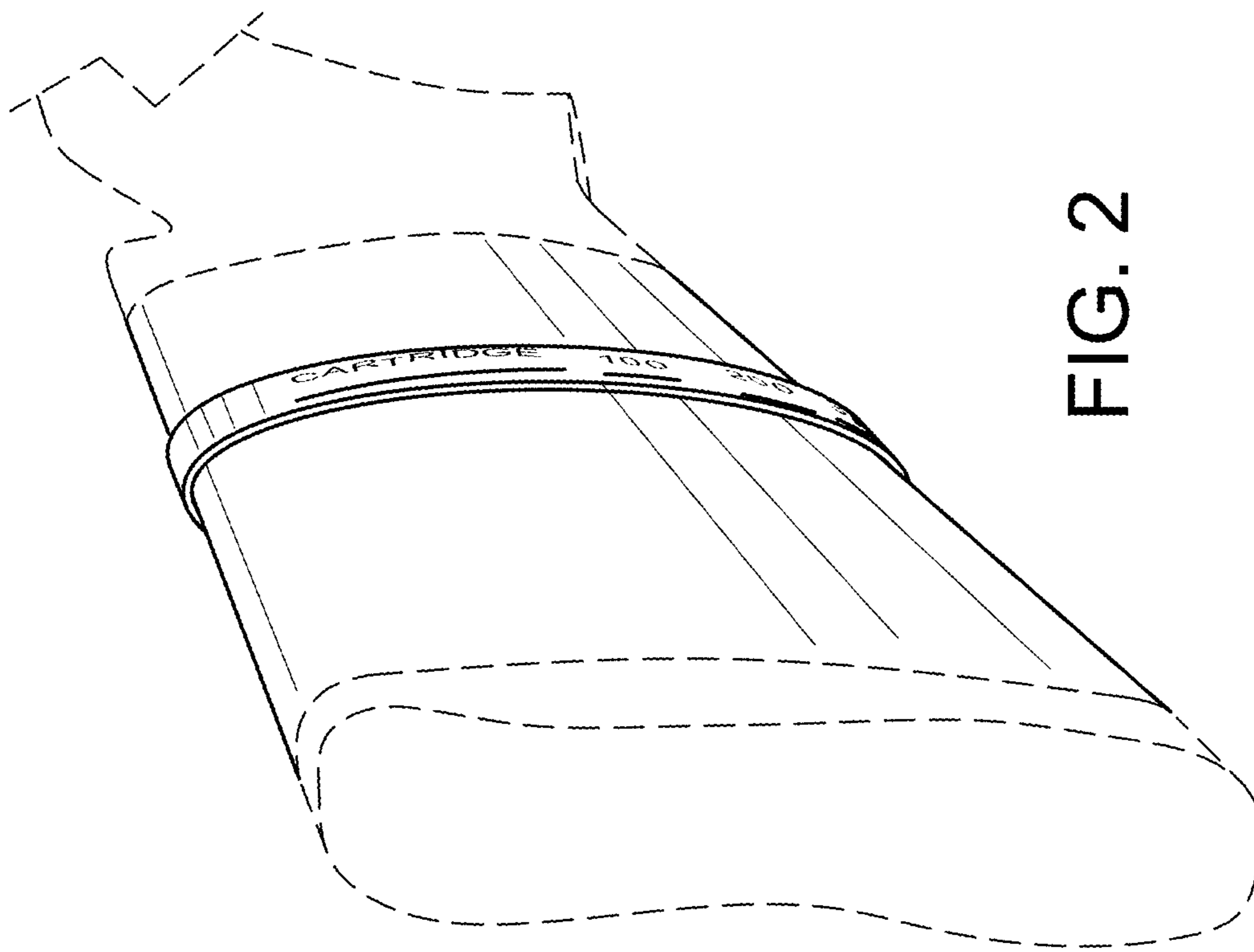


FIG. 2

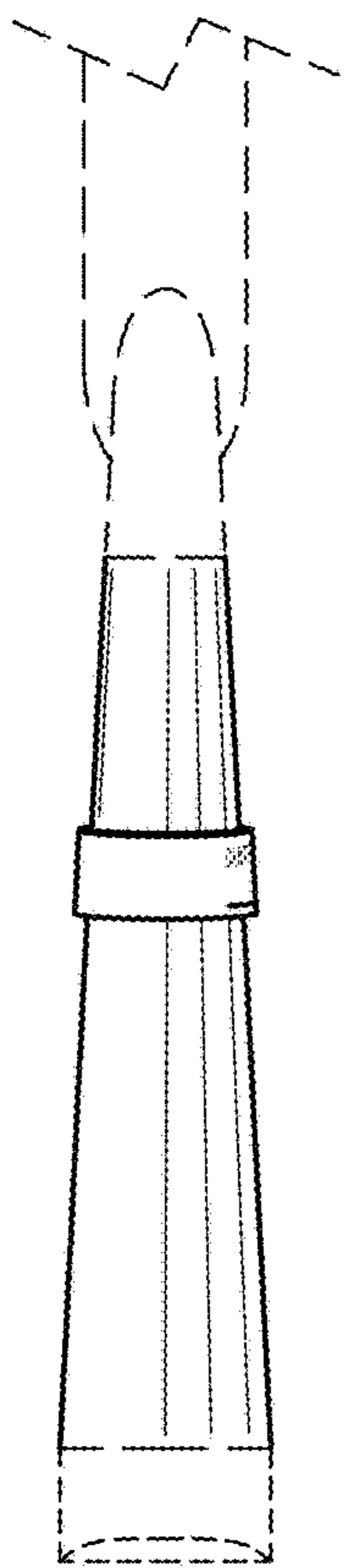


FIG. 5

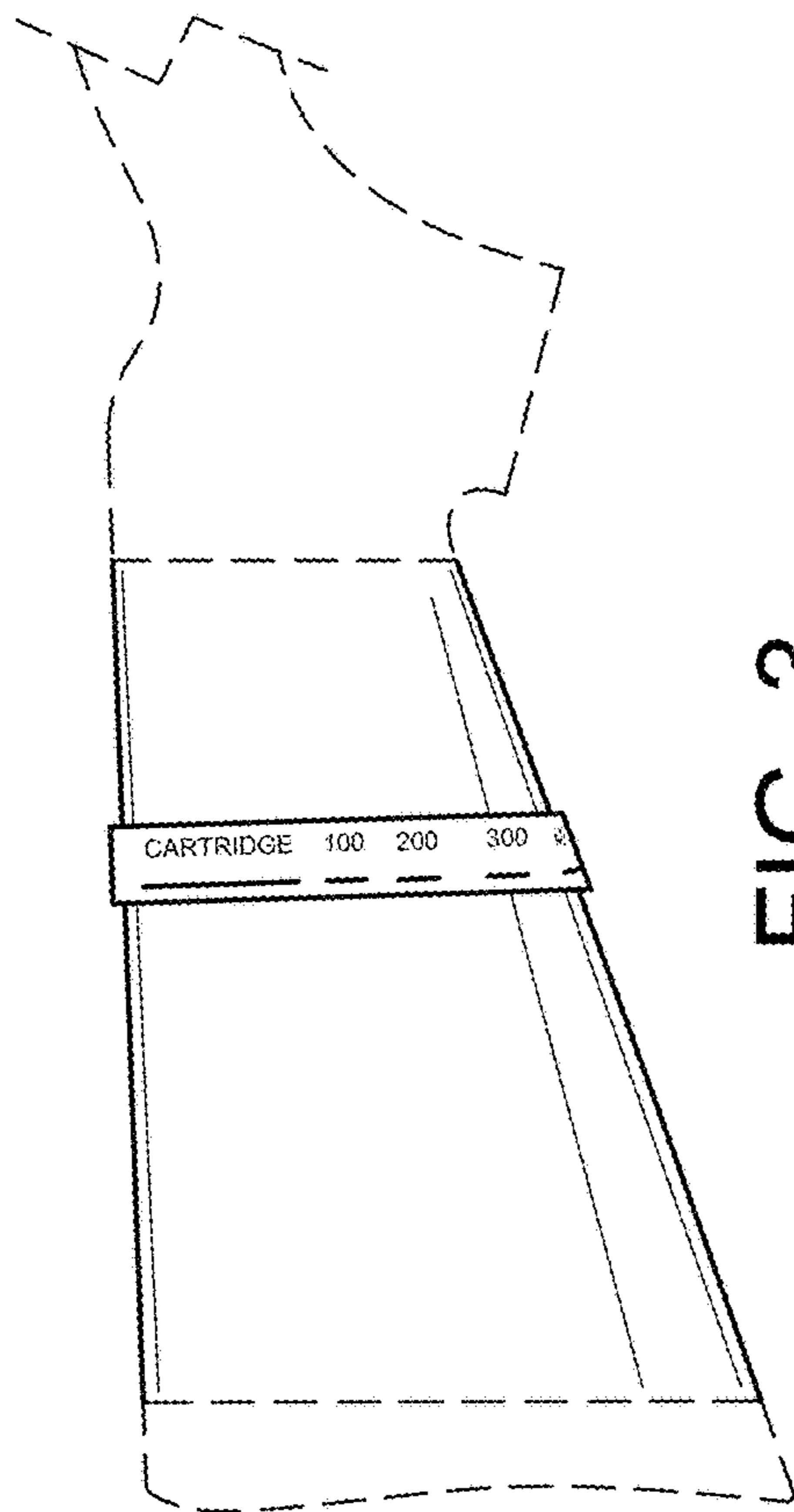


FIG. 3

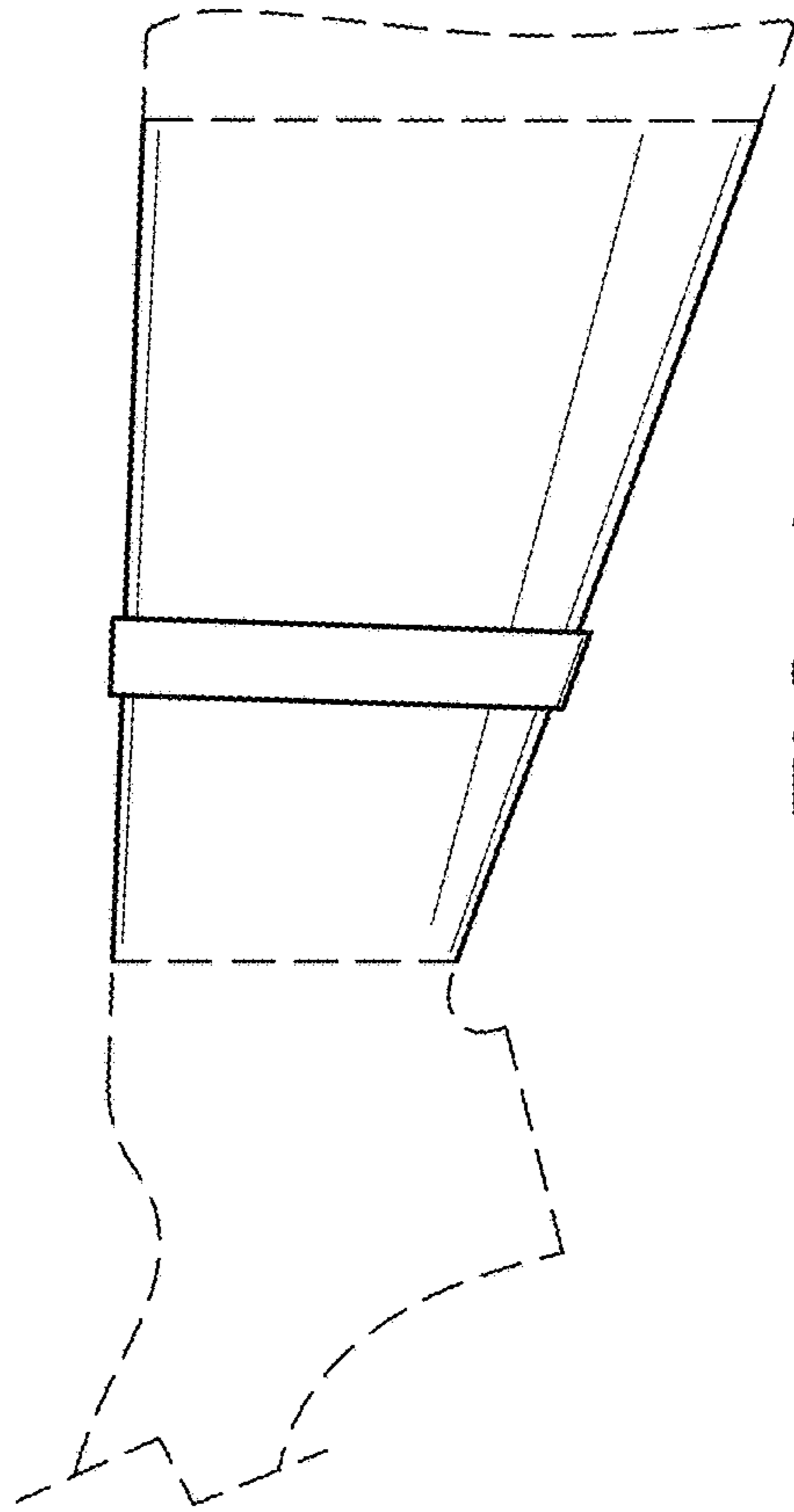


FIG. 4

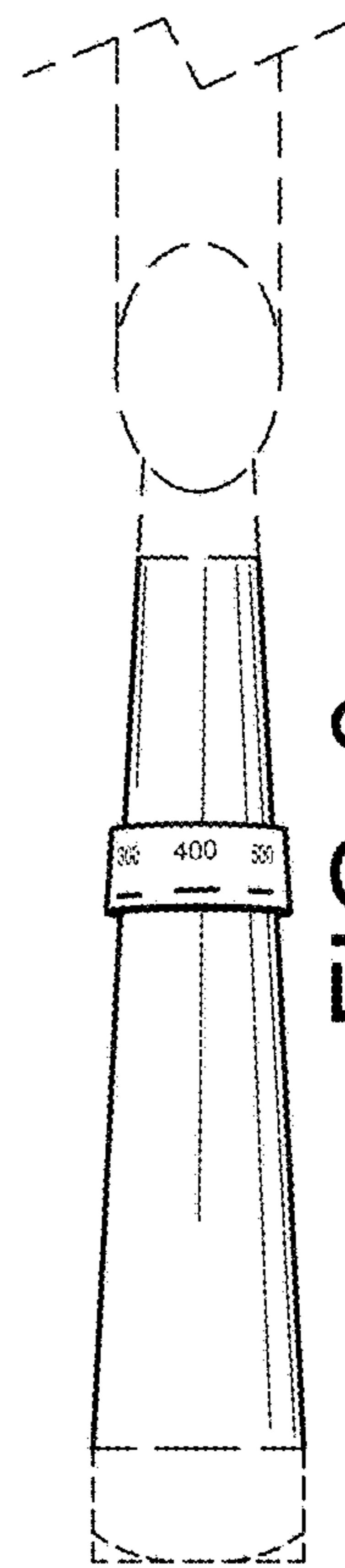
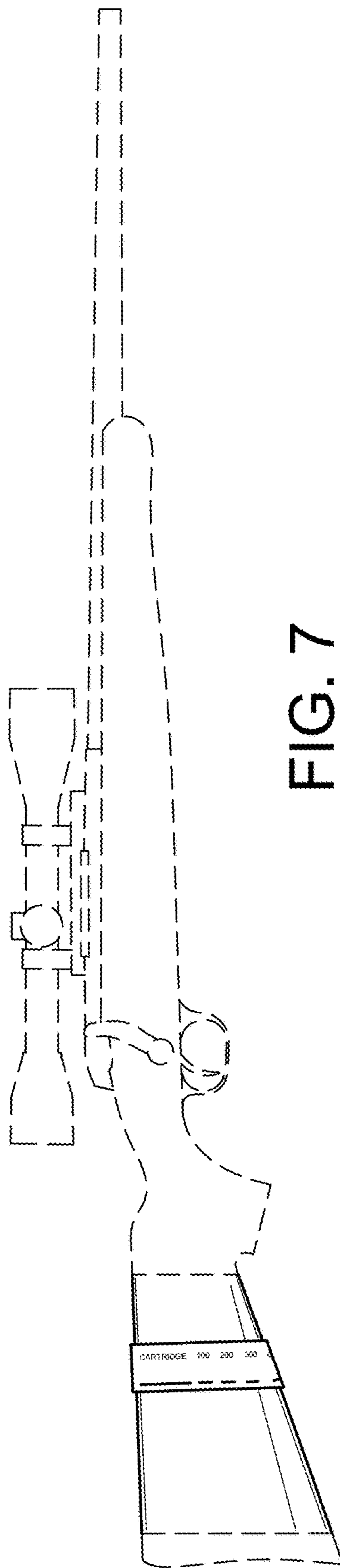


FIG. 6



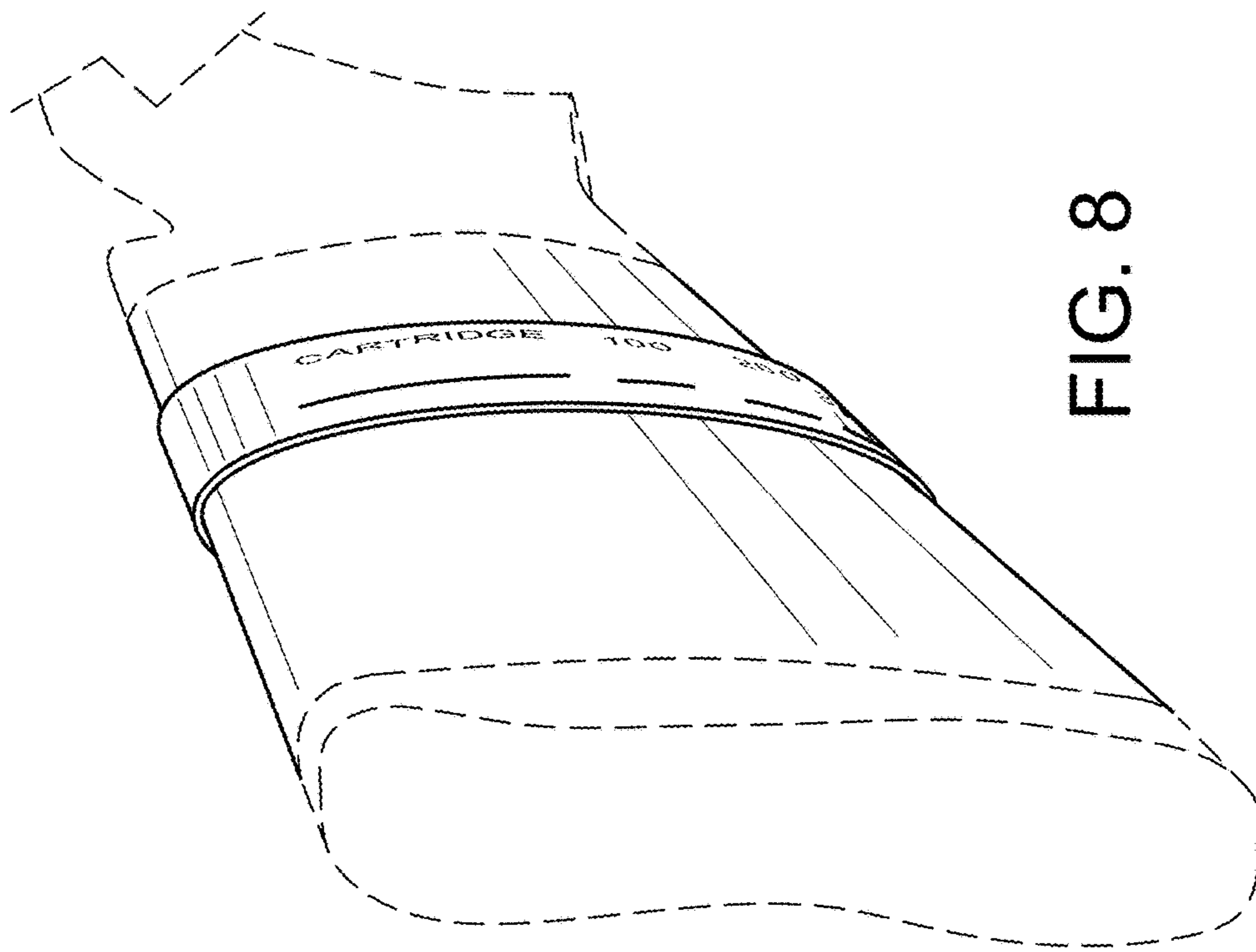


FIG. 8

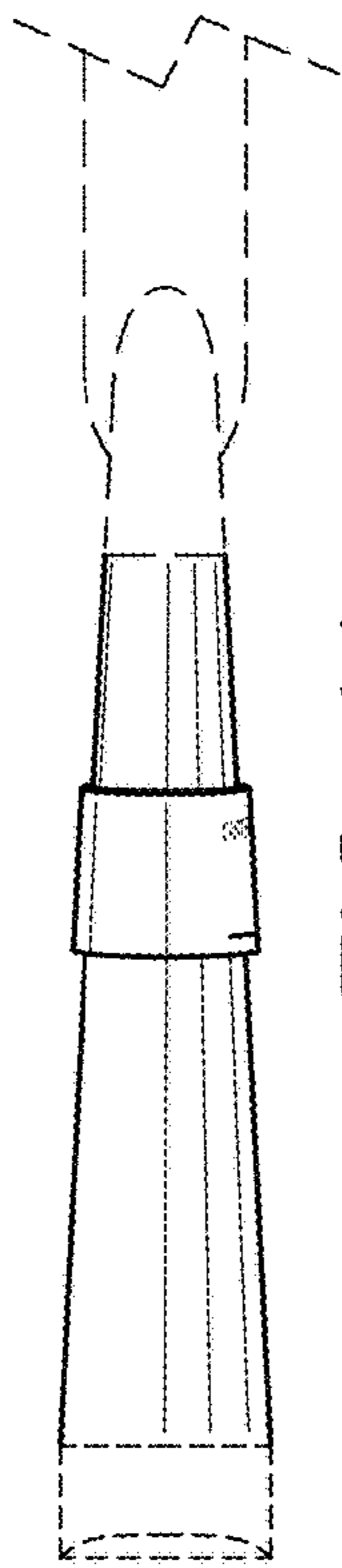


FIG. 11

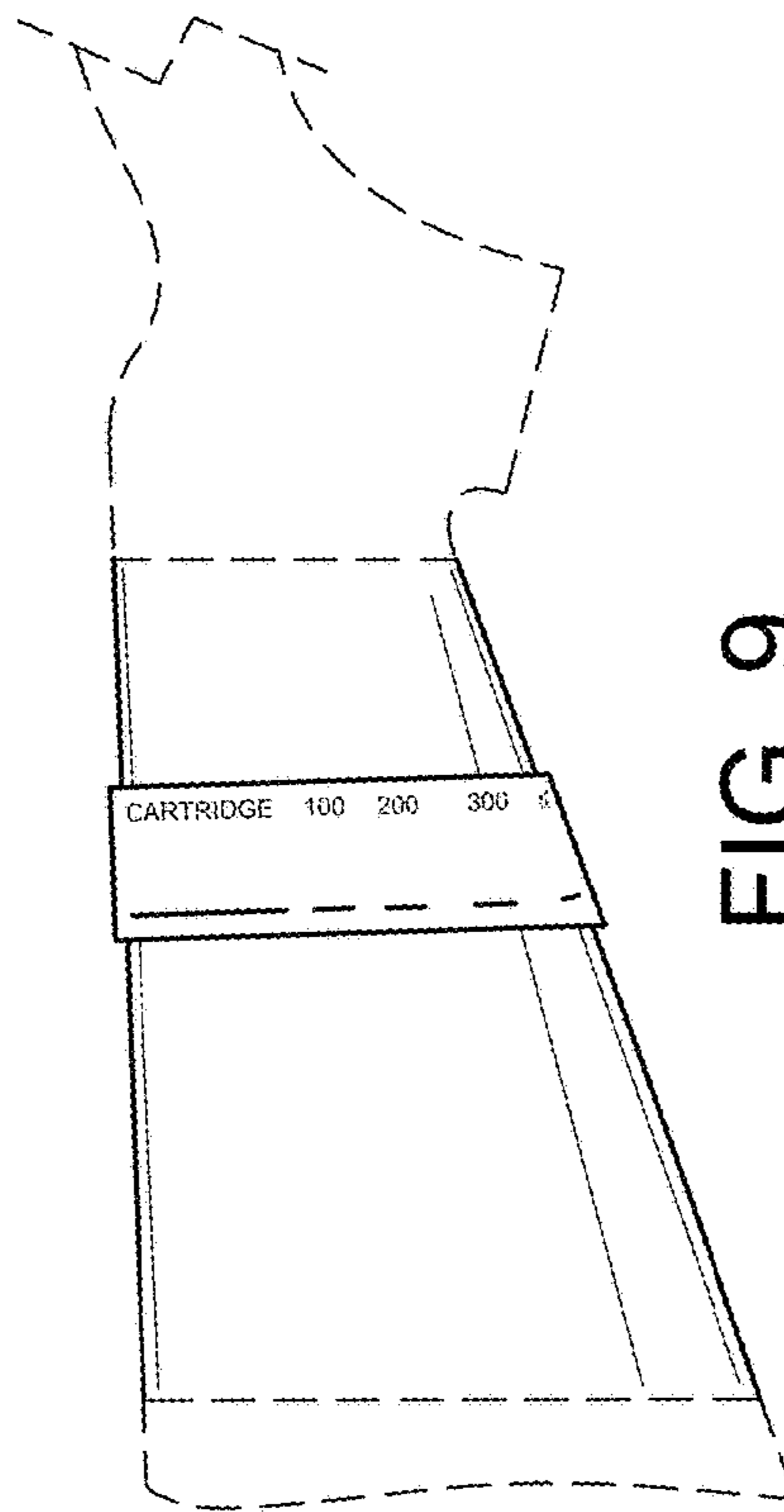


FIG. 9

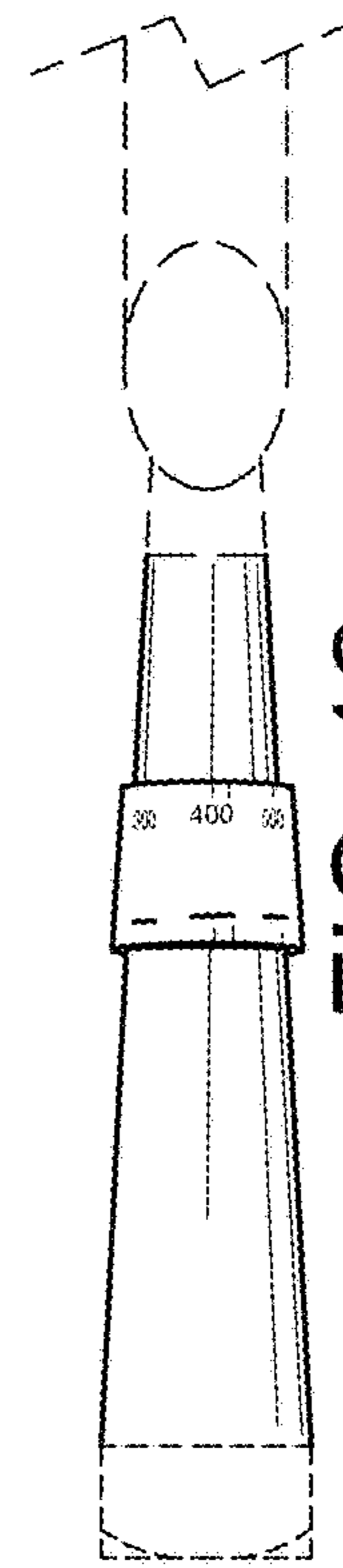


FIG. 12

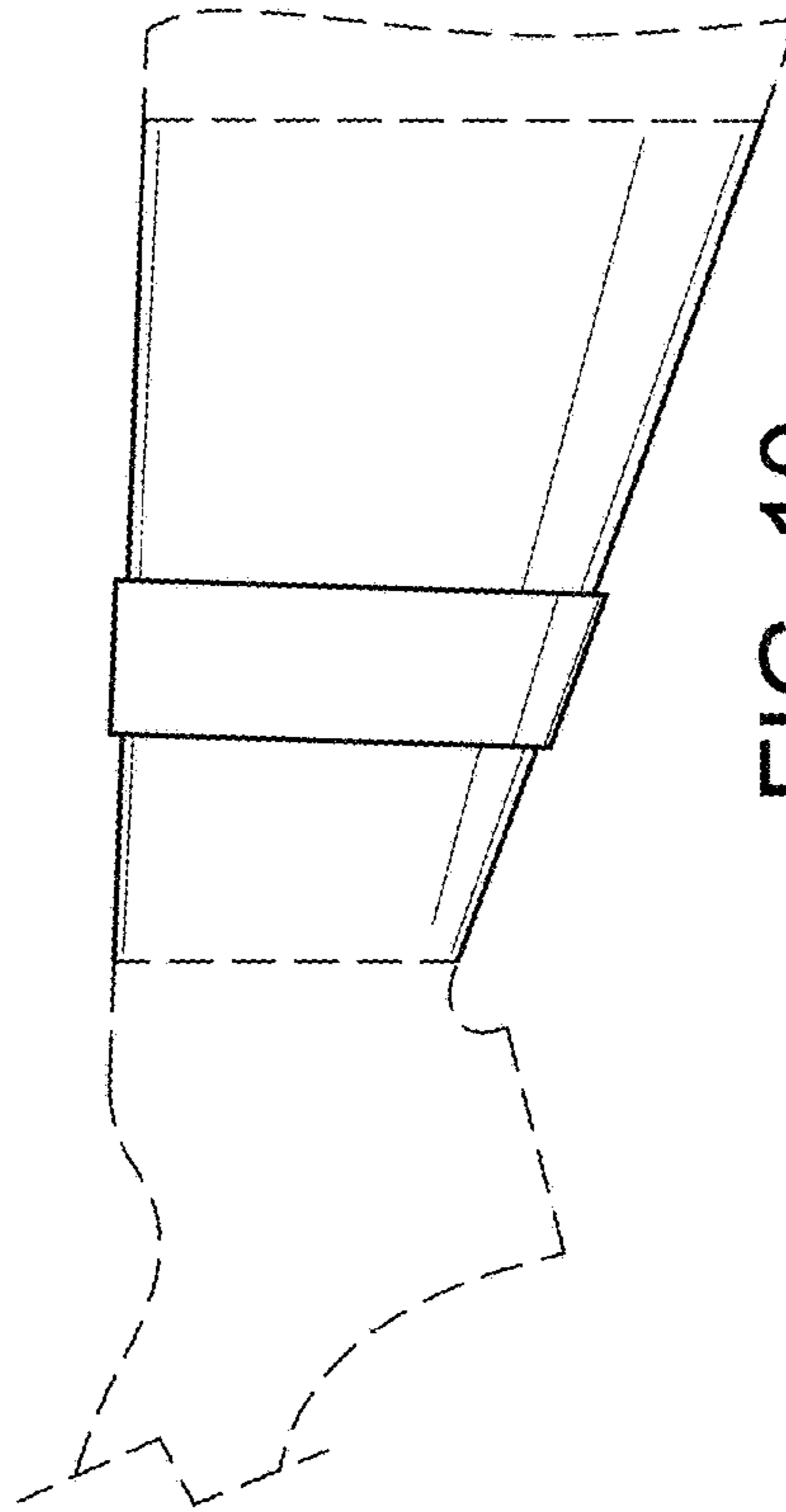


FIG. 10

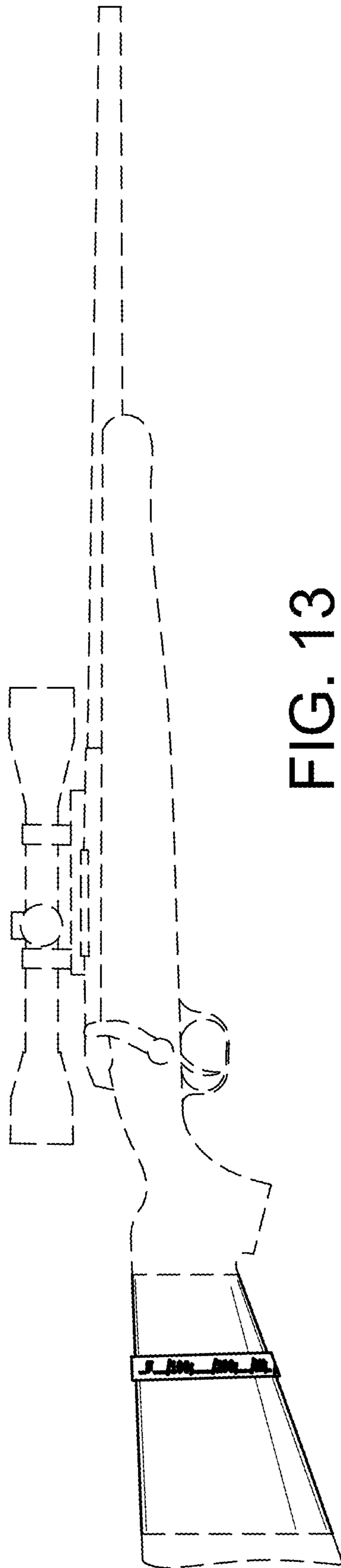


FIG. 13

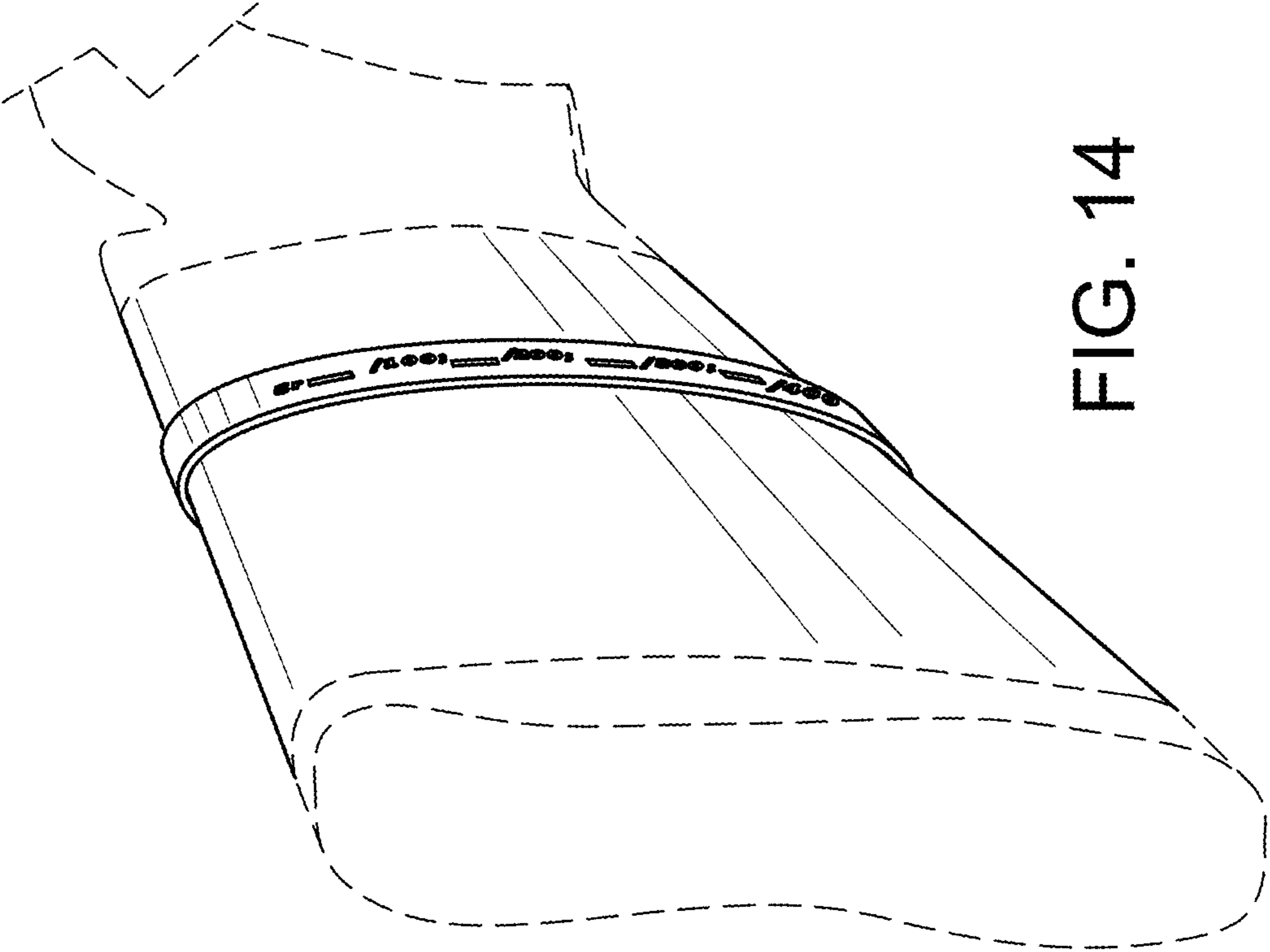


FIG. 14

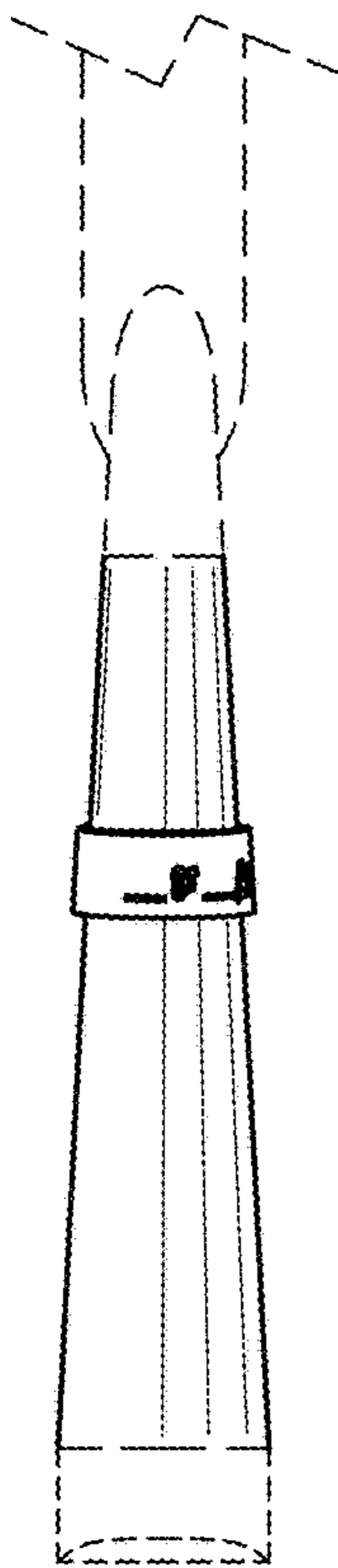


FIG. 17

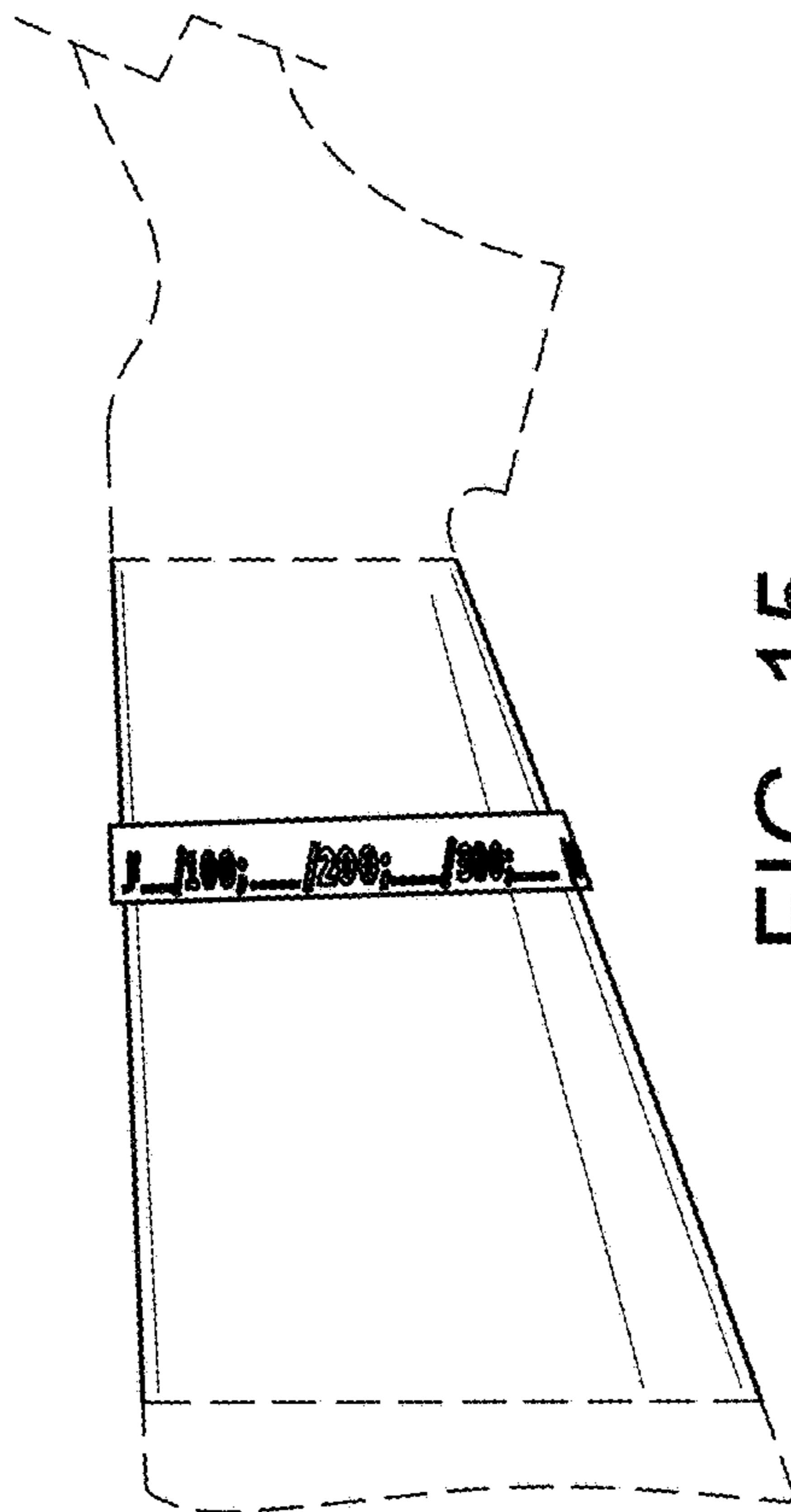


FIG. 15

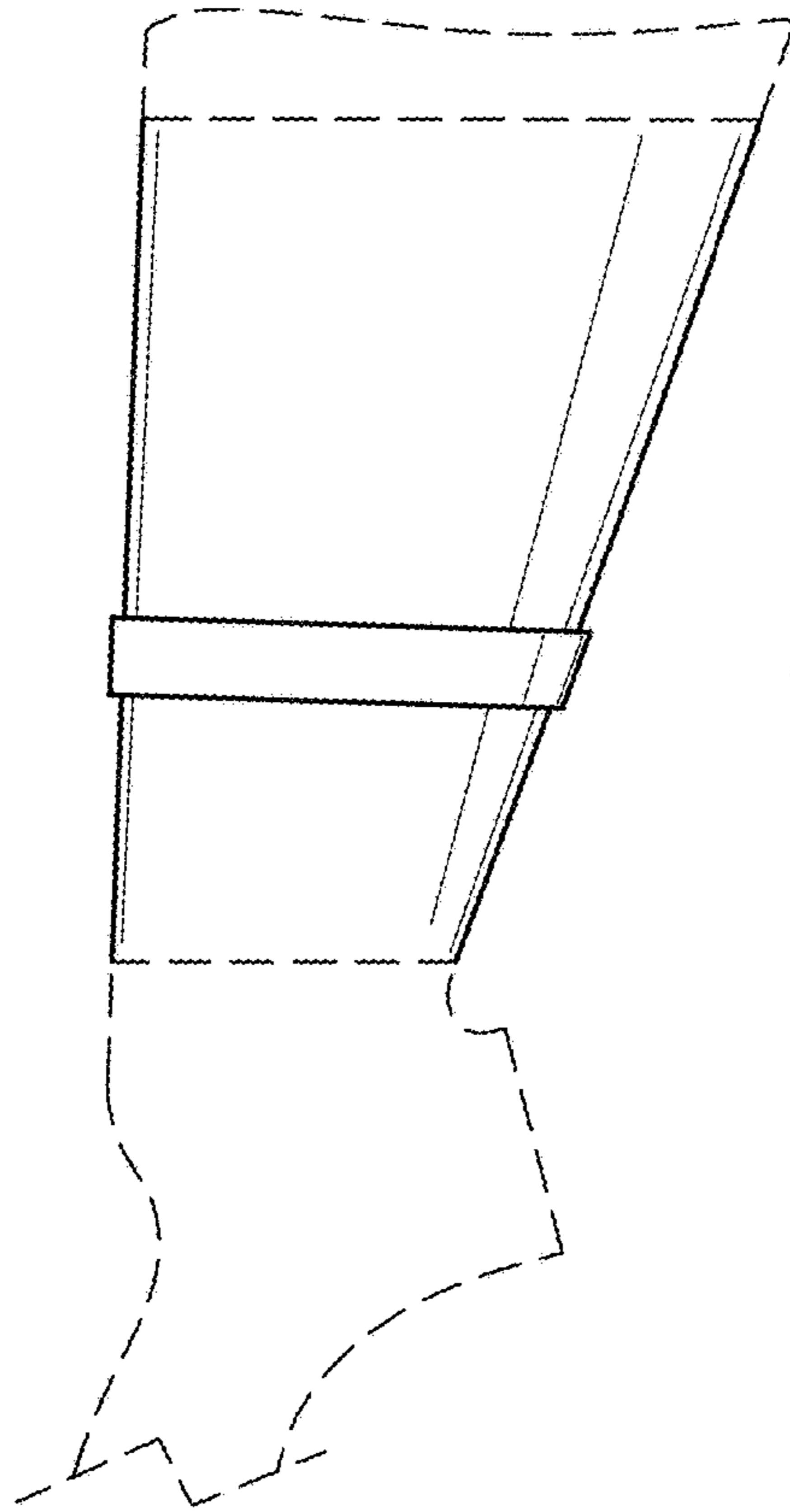


FIG. 16

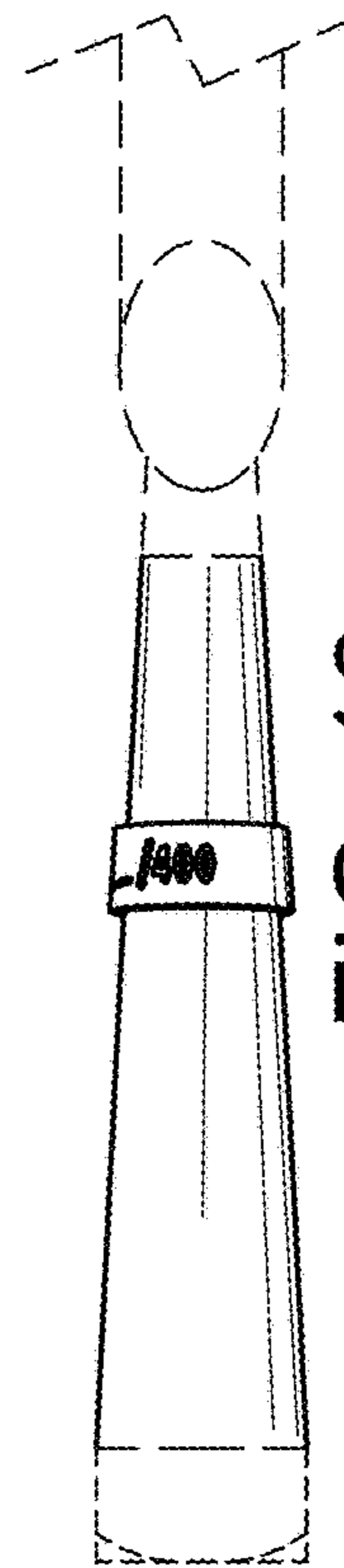


FIG. 18

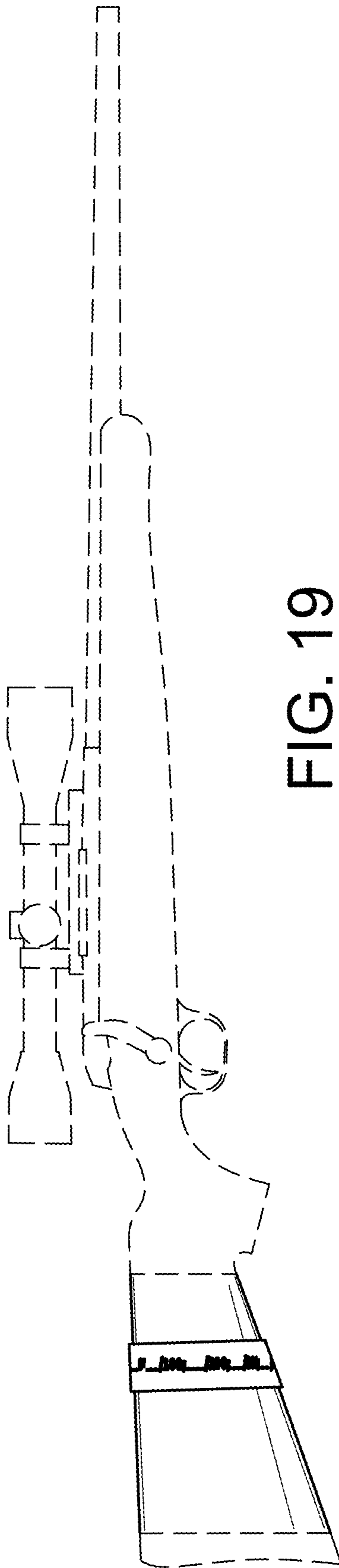


FIG. 19

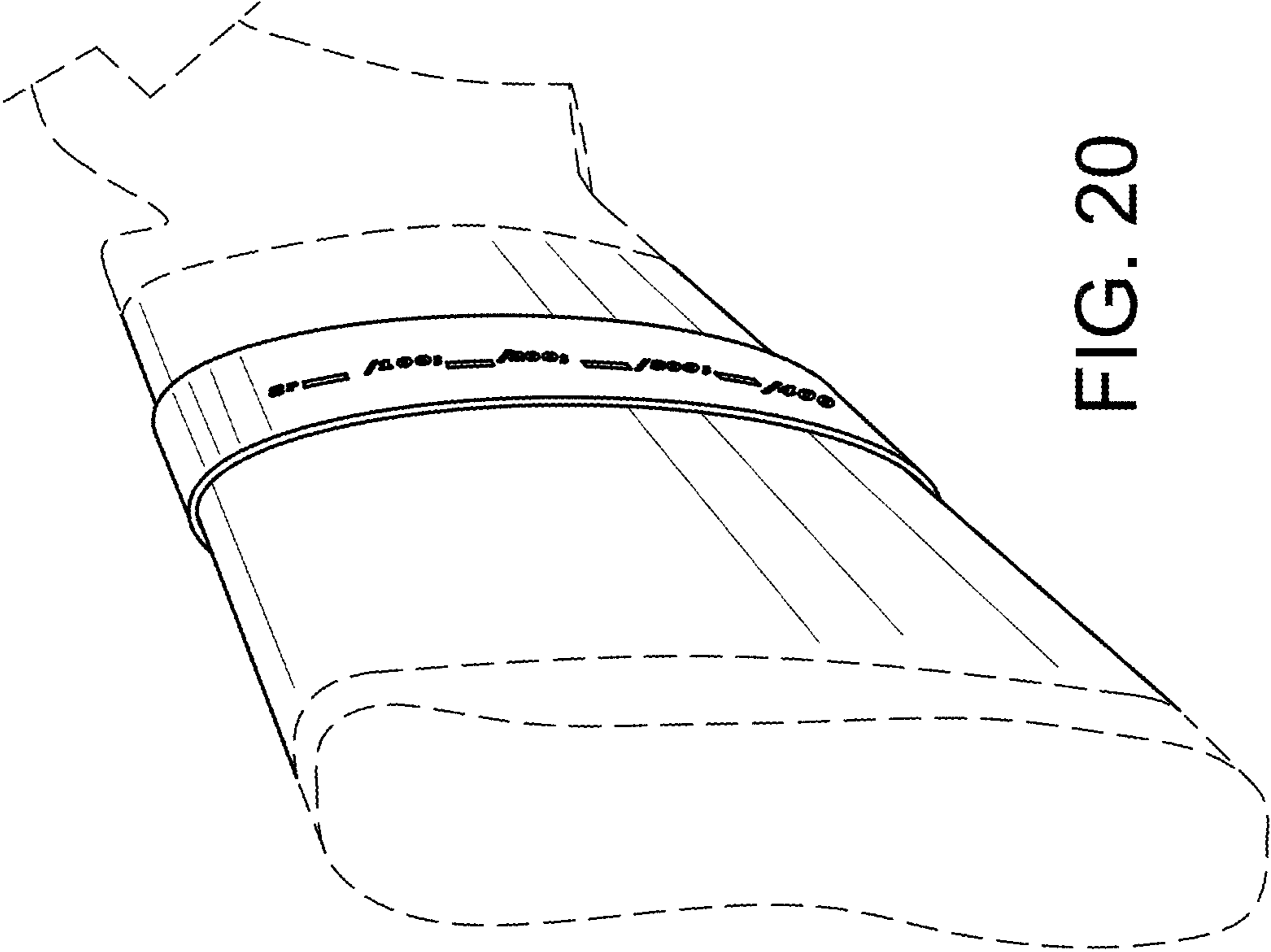


FIG. 20

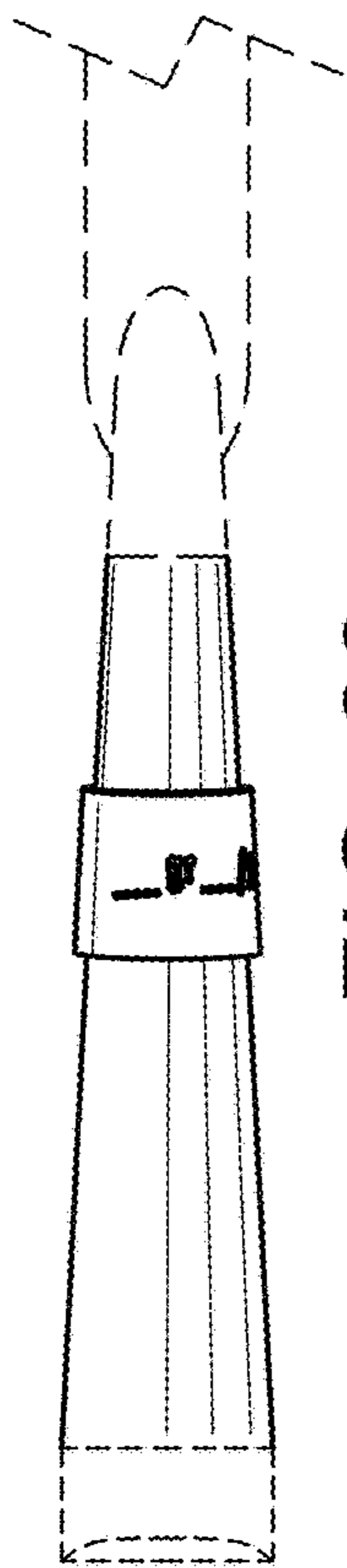


FIG. 23

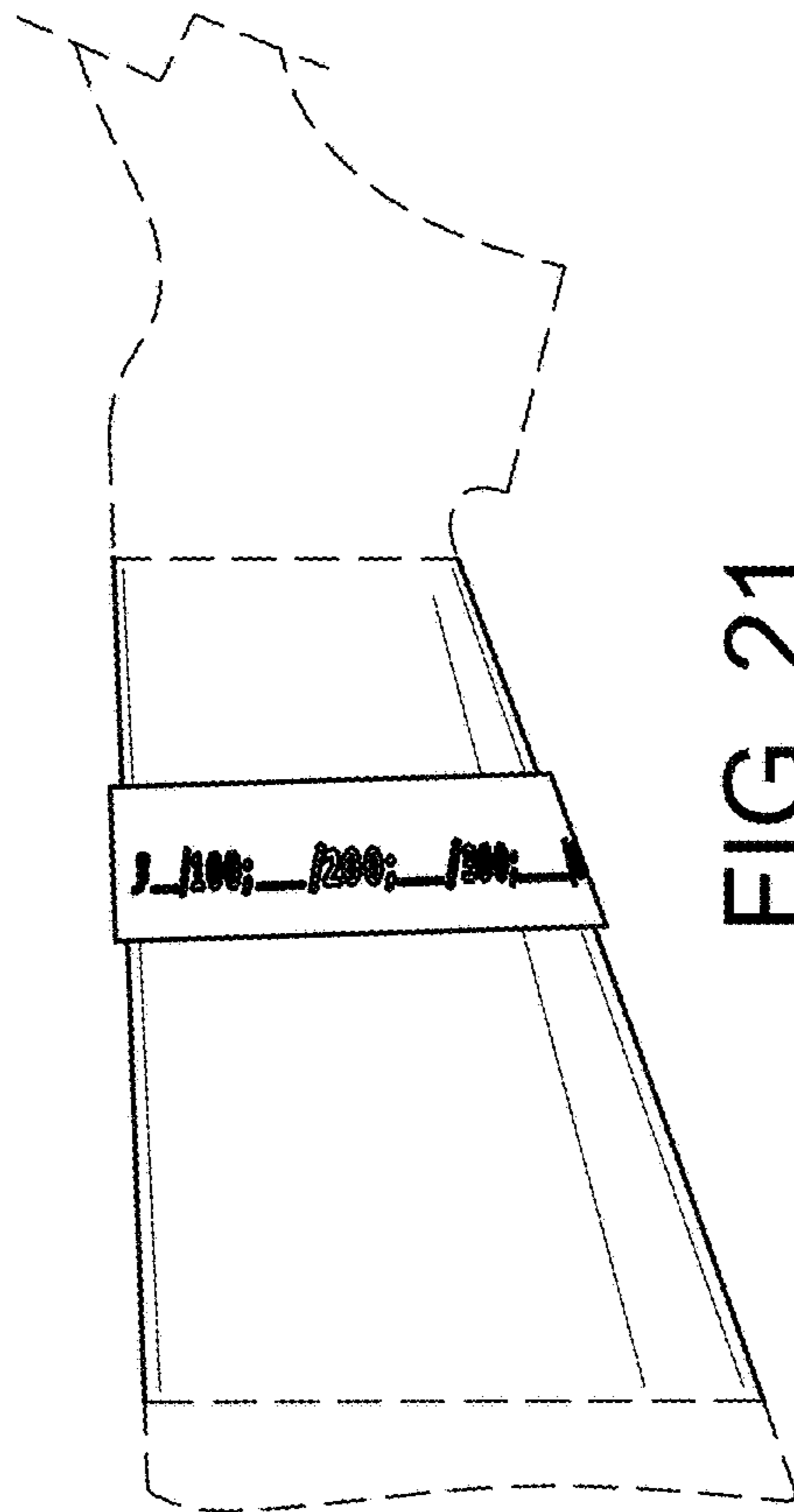


FIG. 21

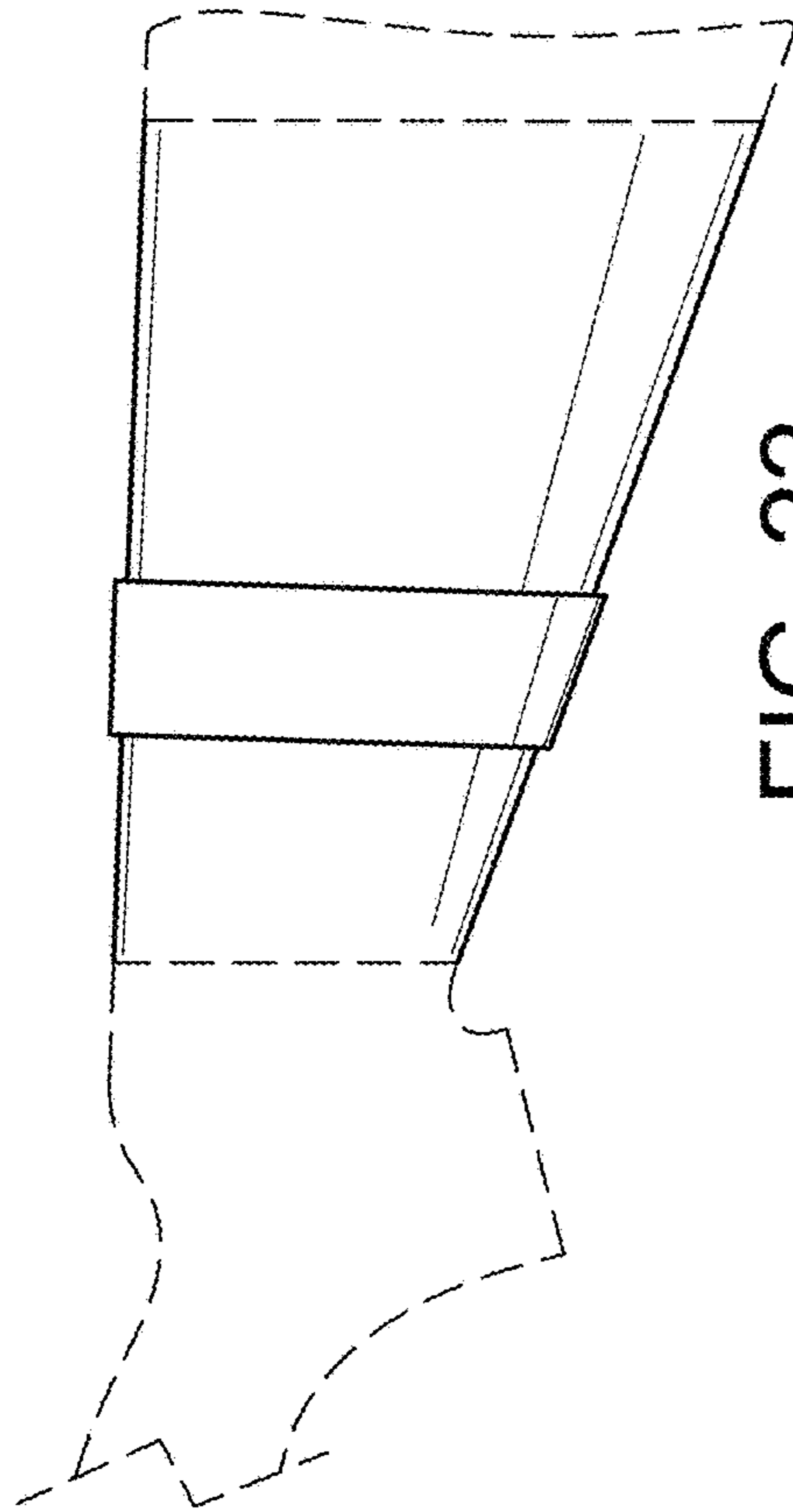


FIG. 22

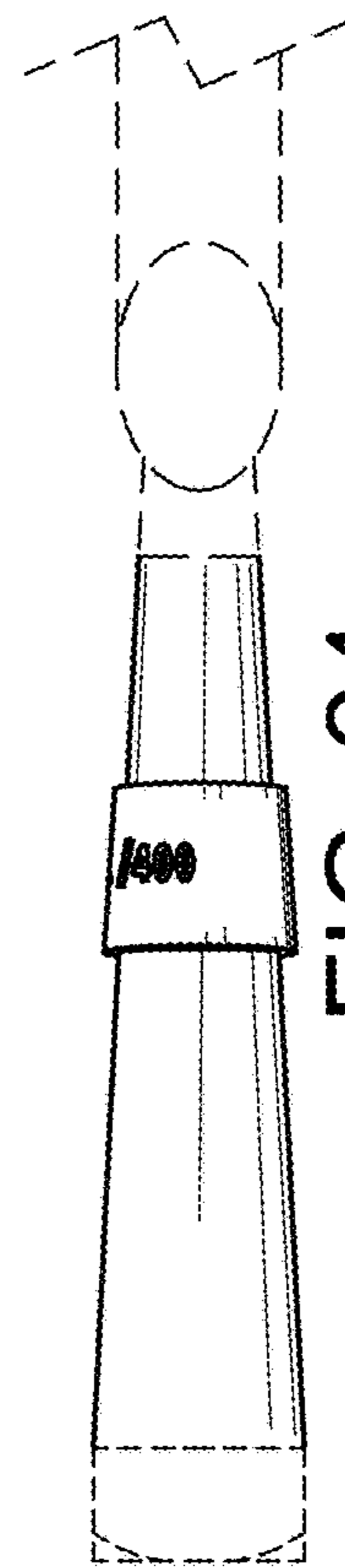


FIG. 24

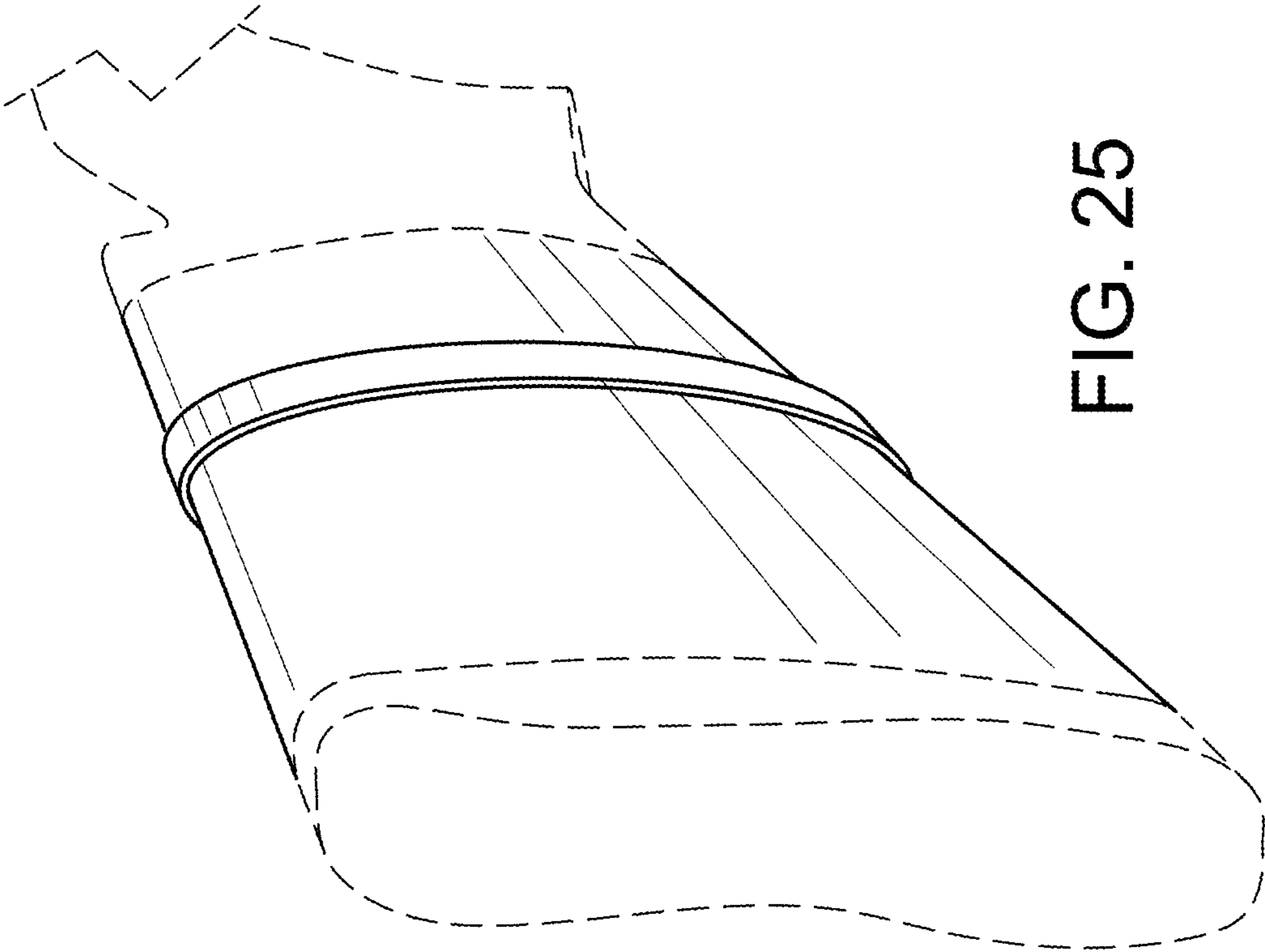


FIG. 25

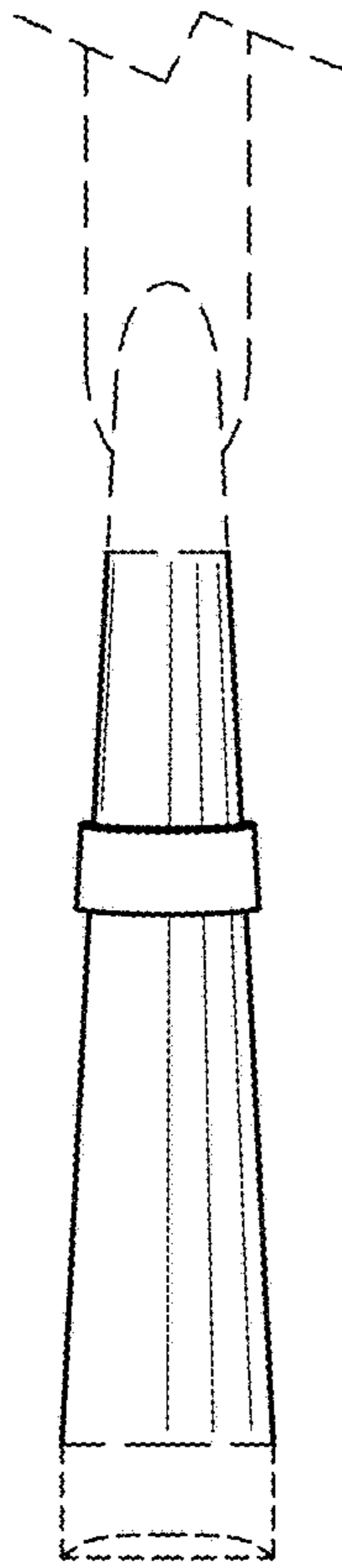


FIG. 26

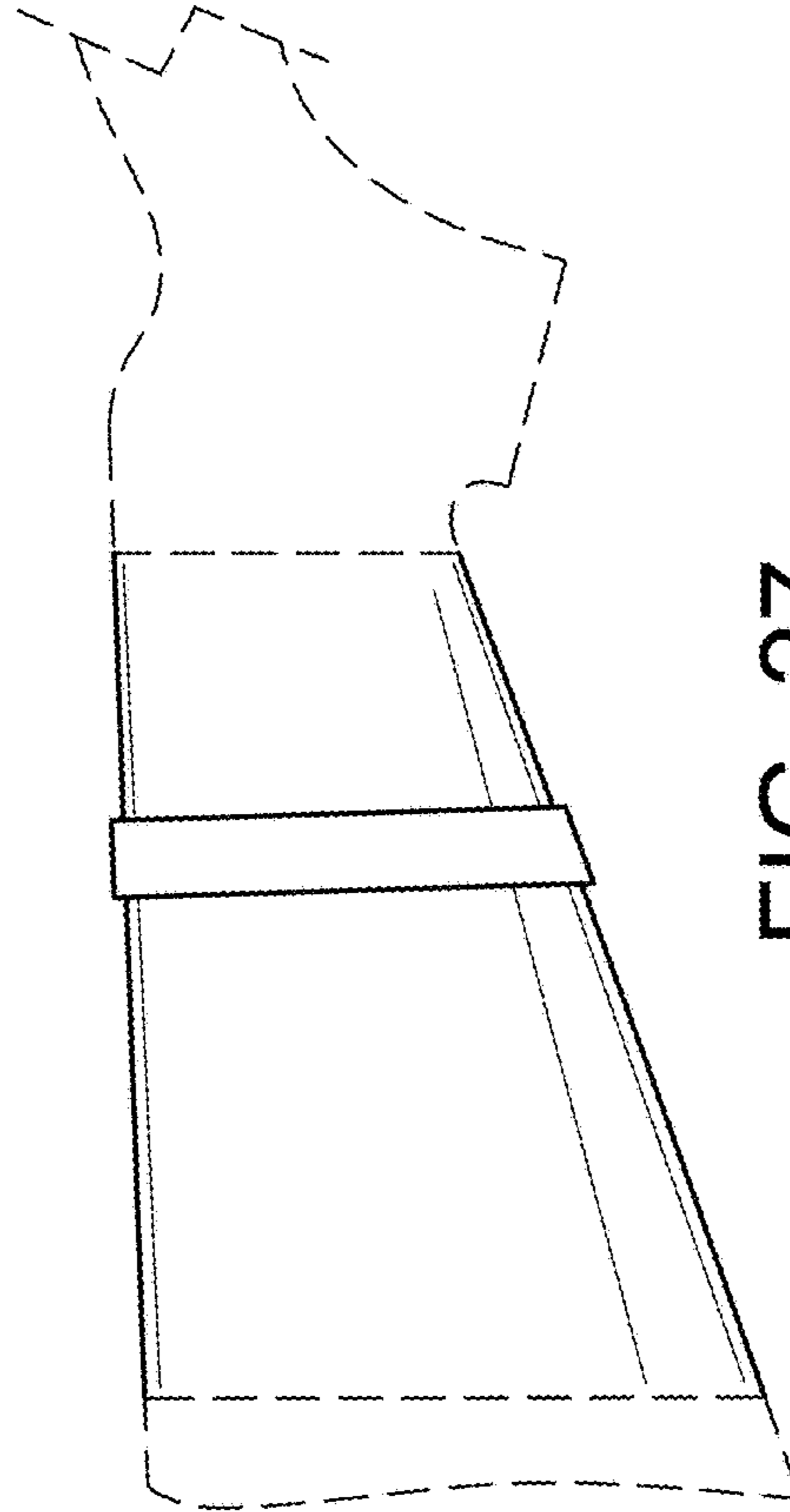


FIG. 27

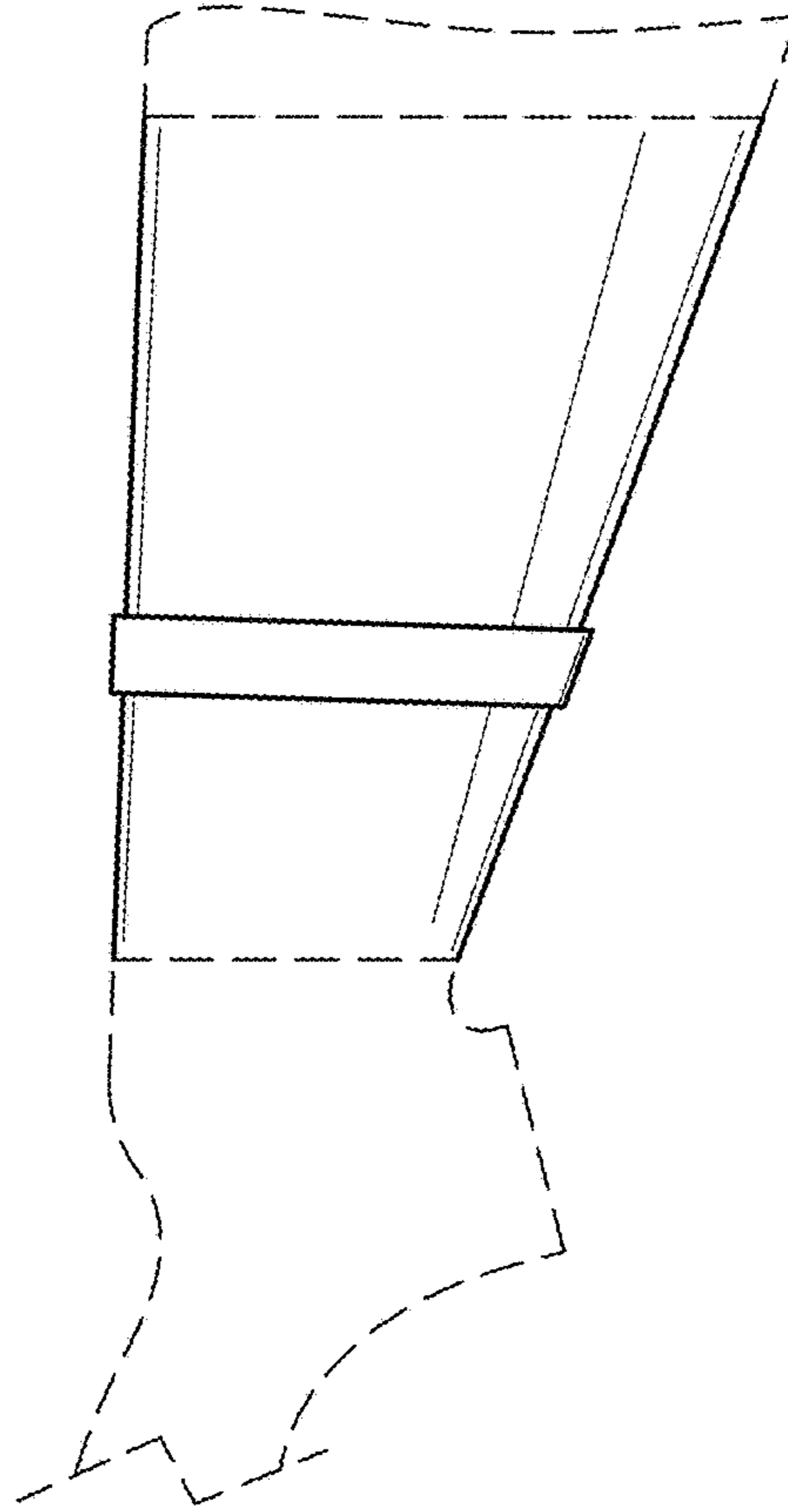


FIG. 28

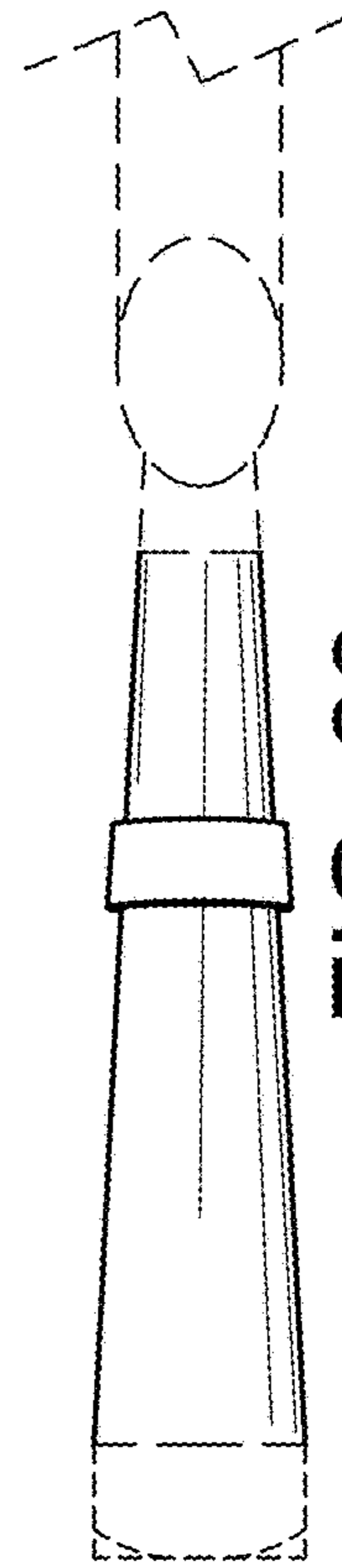


FIG. 29